



ARCHITECTURE - COMFORT - EFFICIENCY

PRODUCT CATALOG

REVISION JAN 6, 2020



ARCHITECTURE - COMFORT - EFFICIENCY

Our **ACE** philosophy (**ARCHITECTURE - COMFORT - EFFICIENCY**) stands behind each product that we offer and every decision that we make.

We thrive on providing innovative air distribution solutions to numerous architectural needs, comfort problems and energy efficiency improvement requirements.

EffectiV HVAC diffusers are very effective solutions to engineering and design challenges.

EffectiV HVAC Inc.

178 Benjamin-Hudon, Saint-Laurent (Montreal), Qc, Canada, H4N 1H8

Phone: 514-375-3885

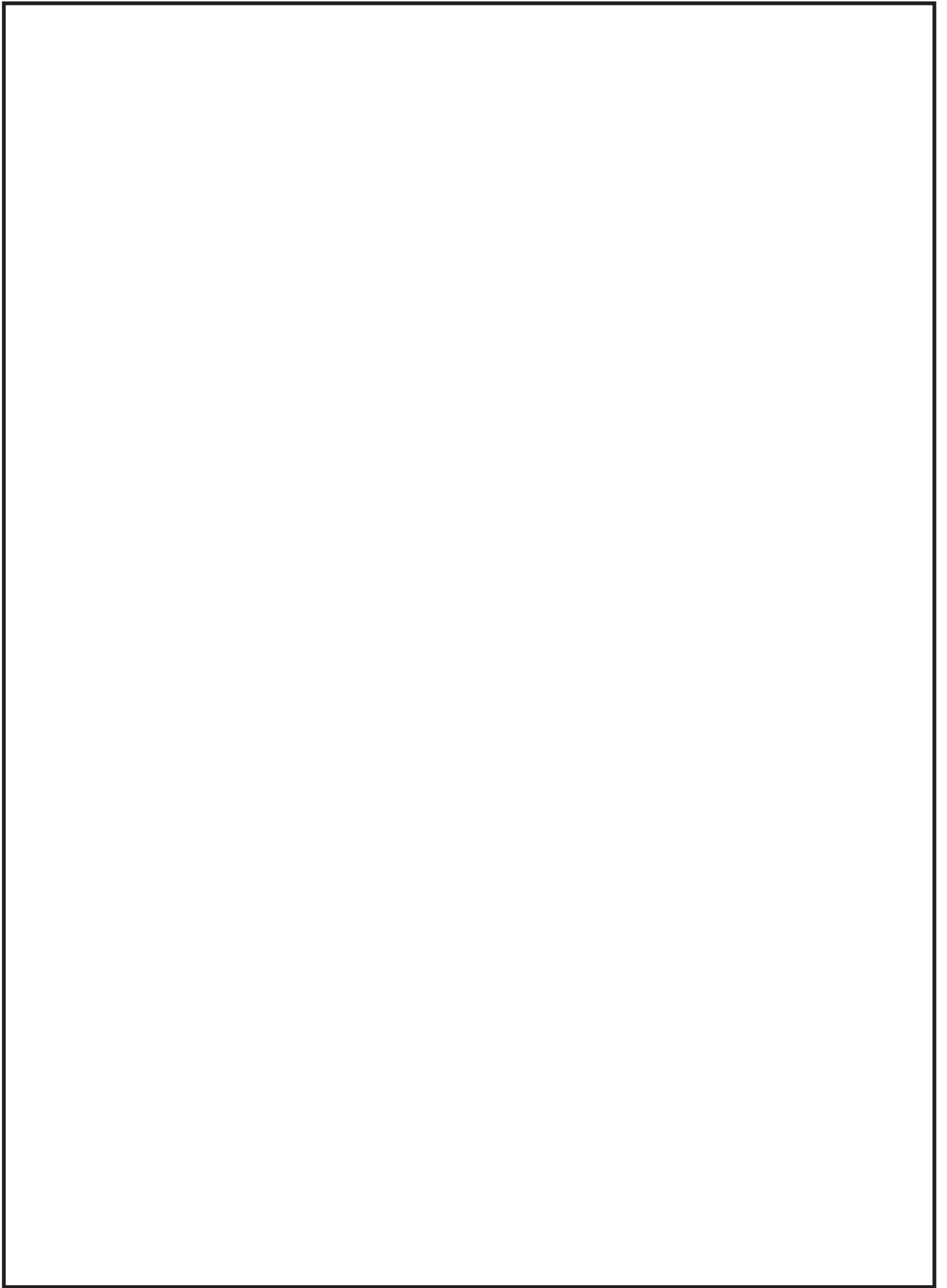
Toll Free: 1-844-375-3885

Email: info@effectiv-hvac.com

Website: effectiv-hvac.com

Table Of Contents

Air Diffusion	1
AX6 Round Adjustable Aluminum Swirl Diffusers	3
AXO Adjustable Vanes Swirl Diffusers	13
AXP Aluminum Round Swirl Diffuser	49
BWC Ventilation Valves	55
DCG Round Adjustable Aluminum Diffusers	59
DSO Round Aluminum Plaque Diffusers	69
KAM Adjustable Jet Nozzle Diffusers	75
KOO Adjustable Multi-Jet Nozzle Diffusers	85
LSD Linear Sector Slot Diffusers	97
NEX Concave Elements Architectural Swirl Diffusers	113
OTO Curved Slot Swirl Diffusers	125
PLAY Adjustable Sectors Diffusers	135
RXO Stamped Swirl Diffusers	153
TWIST Compact Stamped Swirl Diffusers	163
Balancing	167
SKC Constant Air Volume Dampers	169
SKP Low Pressure Constant Air Volume Dampers	175
Submittal Drawings	185
Quick Selection Chart - Air Diffusers / CFM	305
Quick Selection Chart - Air Diffusers / Throw	305
Quick Selection Chart - Air Diffusers / Ceiling Height	306
Quick Selection Chart - Air Diffusers / Features	307



By Model

AX6-ACTIF Metric Submittal	190	KAM-W-M5 Submittal	219
AX6-ACTIF-MOD Metric Submittal	192	KAM-W Metric Submittal	216
AX6-ACTIF-MOD Submittal	191	KAM-W Submittal	215
AX6-ACTIF Submittal	189	KOO Metric Submittal	225
AX6-MA Metric Submittal	188	KOO Performance Data	87
AX6-MA Submittal	187	KOO Submittal	220
AX6-MO Submittal	193	LOOK-A90 Metric Submittal	241
AX6 Performance Data	5	LOOK-A90 Submittal	240
AXO-C/AXO-CY Submittal	195	LOOK Metric Submittal	235
AXO-C Performance Data	18	LOOK Submittal	230
AXO-CY Performance Data	25	LSD-A90 Metric Submittal	251
AXO-S300 Performance Data	35	LSD-A90 Submittal	250
AXO-S400 Performance Data	37	LSD Metric Submittal	246
AXO-S/AXO-SX/AXO-SY Submittal	196	LSD Performance Data	99
AXO-S Performance Data	27	LSD Submittal	242
AXO-SX Performance Data	39	NEX-C Performance Data	117
AXO-SY Performance Data	41	NEX-C Submittal	252
AXP Metric Submittal	200	NEX-S Performance Data	119
AXP Performance Data	50	NEX-S Submittal	253
AXP Submittal	198	OBD Submittal	302
BOXSTAR Submittal	293	OTO-C Performance Data	129
BWC Performance Data	56	OTO-C Submittal	254
BWC Submittal	201	OTO-S Performance Data	131
DAAXP Submittal	199	OTO-S Submittal	255
DCG-ACTIF Metric Submittal	205	PERFAIR-CS Submittal	274
DCG-ACTIF Submittal	204	PERFAIR-CT Submittal	276
DCG-M150_L Submittal	206	PERFAIR-RS Submittal	278
DCG Metric Submittal	203	PERFAIR-RT Submittal	279
DCG Performance Data	60	PERFAIR-SCT Submittal	286
DCG-R3G Metric Submittal	203	PERFAIR-SSS Submittal	282
DCG-R3G Submittal	202	PERFAIR-SS Submittal	280
DCG Submittal	202	PERFAIR-ST Submittal	284
DSO Metric Submittal	208	PERFAIR-XSS Submittal	289
DSO-MOD-R3G Submittal	209	PERFAIR-XS Submittal	288
DSO-MOD Submittal	209	PF Submittal	301
DSO Performance Data	70	PLAY-C Performance Data	140
DSO-R3G Metric Submittal	208	PLAY-C Submittal	256
DSO-R3G Submittal	207	PLAY-R Performance Data	142
DSO Submittal	207	PLAY-R Submittal	257
EB-AB8 Submittal	298	PLAY-S Performance Data	144
EB-REMOTE Submittal	299	PLAY-S Submittal	258
EB-SP Submittal	300	PLRR Submittal	290
IEH Submittal	296	PLXOC Submittal	294
IEK Submittal	297	PLXOR Submittal	295
KAM-D-ACTIF Metric Submittal	213	PLXP Metric Submittal	292
KAM-D-ACTIF Submittal	212	PLXP Submittal	291
KAM-D-M5 Submittal	214	RSBD Submittal	303
KAM-D Metric Submittal	211	RXO-C Metric Submittal	260
KAM-D Submittal	210	RXO-C Submittal	259
KAM Performance Data	76	RXO-S-ALU Submittal	263
KAM-W-ACTIF Metric Submittal	218	RXO-S Metric Submittal	262
KAM-W-ACTIF Submittal	217	RXO-S Submittal	261
		SKC-C Metric Submittal	265
		SKC-C Submittal	264
		SKC Performance Data	172
		SKC-R Metric Submittal	266

SKP Metric Submittal	268
SKP Performance Data	177
SKP Submittal	267
TAU Metric Submittal	270
TAU Submittal	269
TWIST-ALU Submittal	272
TWIST-CUT Submittal	273
TWIST Performance Data	164
TWIST Submittal	271

AIR DIFFUSION

ARCHITECTURE - COMFORT - EFFICIENCY



EFFECTIVE COMFORT SOLUTIONS



AX6

Adjustable Aluminum Round Swirl Diffusers











AX6 SERIES

Aluminum Adjustable Round Swirl Diffusers



AX6
by MADEL®

-  Synchronously adjustable blades, horizontal to vertical airflow
-  Manual adjustment, thermodynamic or with actuator
-  Available with optional security grille for sports facilities
-  Integrated air equalizer
-  Heavy-gauge spun aluminum construction
-  Duct mounted or drywall mounted
-  Commercial and industrial applications
-  Huge energy savings in heating and cooling applications with high ceilings

AX6 series swirl diffusers by EffectiV HVAC™ and MADEL® are designed to supply air in heating, air conditioning and ventilation applications, in premises with ceilings 8.5 feet (2.6 meters) and higher and with temperature differential up to 27°F (15°C). They are suitable for both industrial use and commercial areas.

Their round shape together with the helical design of their vanes cause a swirl diffusion of the air stream, obtaining a high induction rate and reducing the stratification.

The diffusion of the air can be varied by adjusting the supply air angle of the synchronously adjustable blades, changing from horizontal projection to vertical projection in accordance with the supply air temperature.

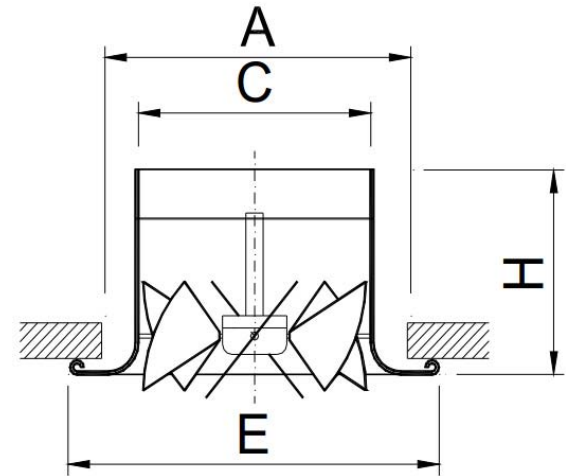
They can be mounted in false ceilings or ductwork or suspended from the ceiling.

Neck Diameter	Free Area (sqf)	Min cfm	Max cfm
10" (250 mm)	0.527	310	580
12.5" (315 mm)	0.839	500	755
16" (400 mm)	1.345	800	1295
20" (500 mm)	2.11	1175	1765
25" (630 mm)	3.358	1980	2945



AX6 Dimensions

	Duct Diameter	A	C	E	H
Imperial	10"	11 13/16	9 3/4	14 11/64	7 61/64
	12.5"	15 3/4	12 21/64	18 17/64	8 55/64
	16"	19 11/16	15 25/32	20 3/64	9 27/32
	20"	24 13/32	19 9/16	27 11/64	12 3/64
	25"	30 45/64	24 11/16	34 1/4	13 25/32
Metric	250 mm	300	248	360	202
	315 mm	400	313	464	225
	400 mm	500	401	560	250
	500 mm	620	497	690	306
	630 mm	780	627	870	350



Some Applications

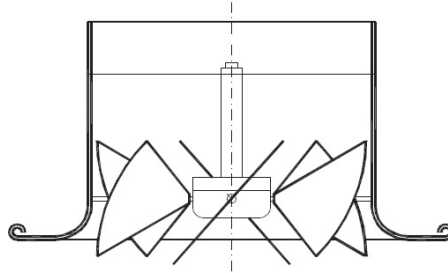
-  Restaurants, Bars, Hotels
-  Indoor Pools and aquatic complex
-  Movie Theaters
-  Entrance halls (vertical blast)
-  Gymnasiums and sports facilities
-  Warehouses
-  Seasonal heating and/or cooling
-  Open ceilings/exposed ducts
-  High ceilings
-  Energy efficiency requirements
-  Industrial applications
-  Comfort-critical applications



Available Adjustment Mechanisms

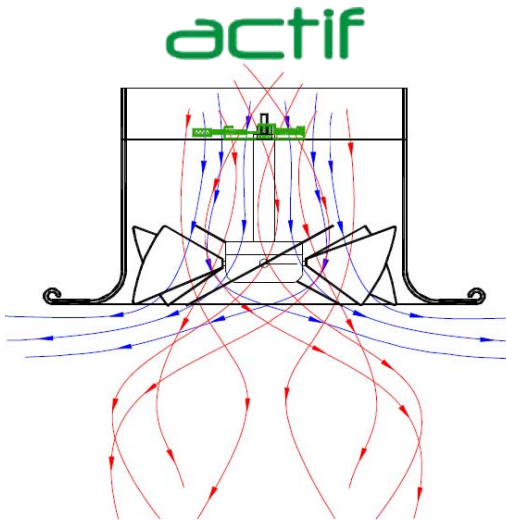
AX6-MA

Synchronously adjustable blades, manually operated.

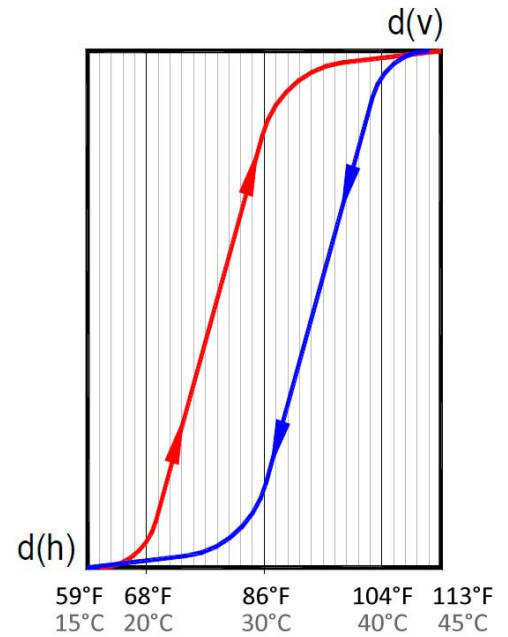
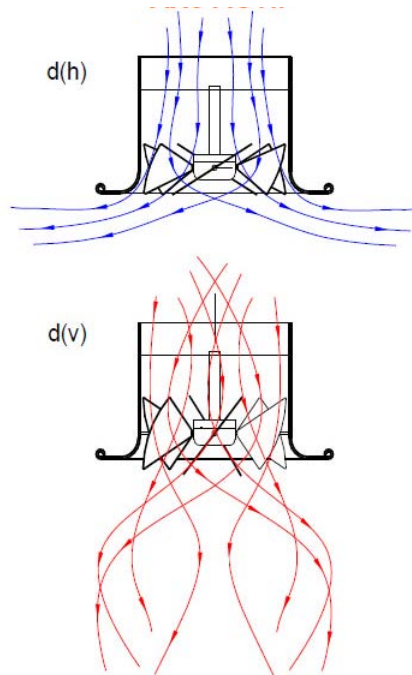


AX6-ACTIF

Synchronously adjustable blades, autonomous thermal adjustment by means of a thermodynamic piston.



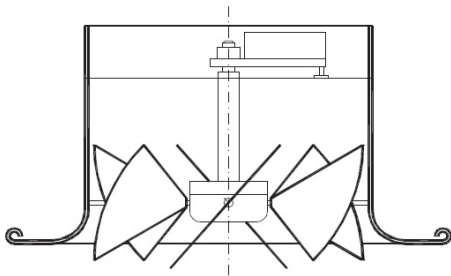
Energy Efficiency Product



30 minutes adjustment time from d(h) to d(v)

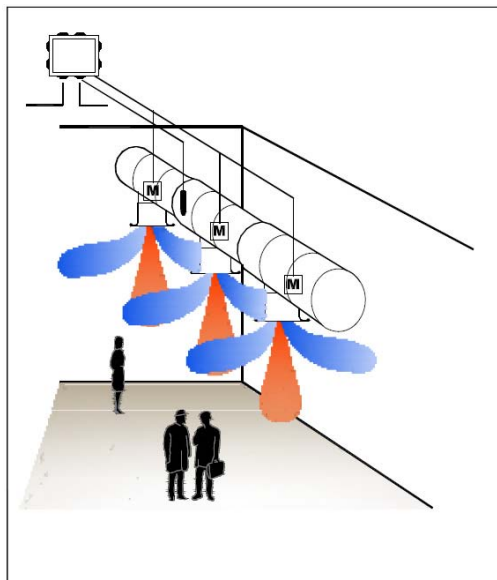
AX6-M0

Synchronously adjustable blades by means of an actuator.

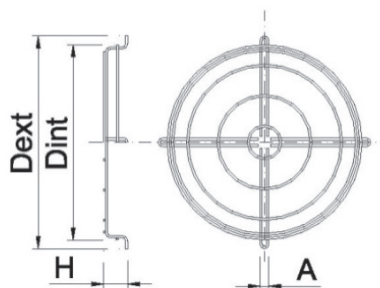


Available With...

- Belimo On/Off Actuator, 24V or 230V
- Belimo Proportional Actuator, 24V
- Siemens On/Off Actuator, 24V or 230V
- Siemens Proportional Actuator, 24V



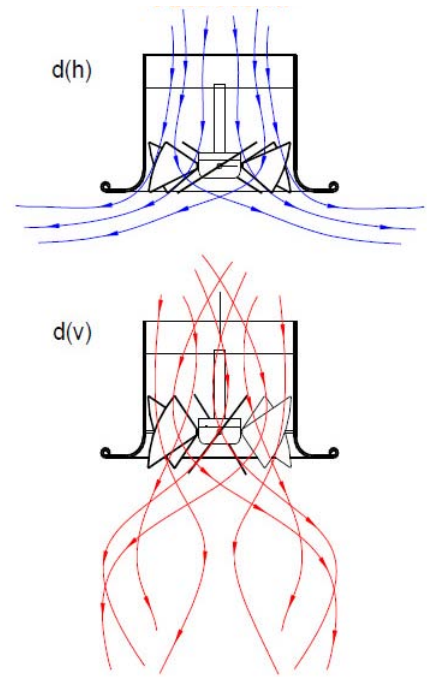
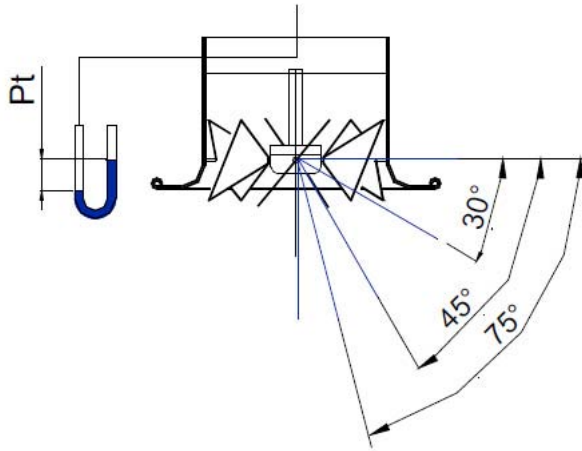
Optional Security Grille For Sports Facilities



CH6 for AX6

	Duct Diameter	Dext	Dint	A	H
Imperial	10"	13 25/32"	11 13/16"	35/64"	1 37/64"
	12.5"	17 23/32"	15 3/4"	35/64"	1 37/64"
	16"	21 21/32"	19 11/16"	43/64"	1 31/32"
	20"	25 25/32"	23 5/8"	43/64"	3 5/32"
	25"	33 55/64"	31 7/64"	25/32"	3 35/64"
Metric	250 mm	350	300	14	40
	315 mm	450	400	14	40
	400 mm	550	500	17	50
	500 mm	655	600	17	80
	630 mm	860	790	20	90

AX6 Performance Data



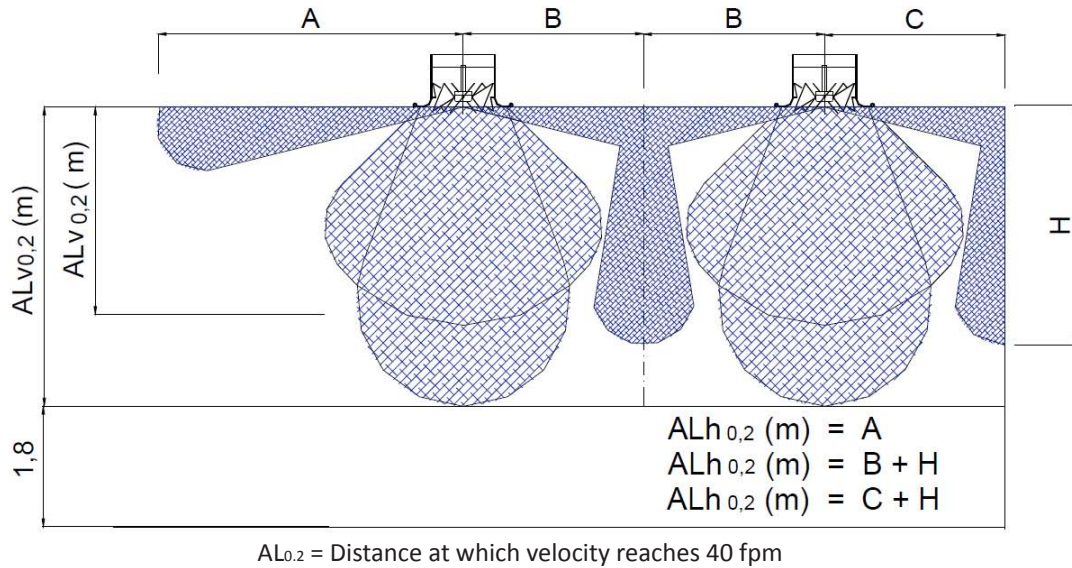
Isothermal Throw - Swirl 30 Degree Blade Adjustment

Neck Size	Neck (fpm) Velocity	400	500	600	700	800	1000	1200	1400
		Velocity Pressure (H2O)	.010	.016	.022	.031	.041	.062	.090
10" (250mm)	CFM	218	273	327	382	436	545	654	764
	Pressure Loss (in.w.g.)	0.161	0.258	0.376	0.522	0.687	1.099	1.099	2.227
	NC	21	27	31	35	38	44	48	52
	Throw (ft) - d(h)	3-6-8	4-7-11	5-9-13	6-10-15	7-12-18	9-15-23	11-19-28	13-22-33
12.5" (315mm)	CFM	335	419	503	587	671	839	1006	1174
	Pressure Loss (in.w.g.)	0.117	0.185	0.269	0.37	0.488	0.774	1.125	1.546
	NC	19	25	31	35	39	45	50	54
	Throw (ft) - d(h)	4-7-10	5-8-12	5-9-13	6-10-15	7-11-16	8-13-19	9-15-22	10-17-25
16" (400mm)	CFM	559	698	838	977	1117	1396	1676	1955
	Pressure Loss (in.w.g.)	0.111	0.174	0.251	0.342	0.448	0.702	1.015	1.384
	NC	< 15	21	27	31	35	42	48	53
	Throw (ft) - d(h)	5-8-11	5-9-13	6-10-14	6-10-16	7-11-17	8-13-19	8-14-21	9-15-23
20" (500mm)	CFM	873	1091	1309	1527	1745	2182	2618	3054
	Pressure Loss (in.w.g.)	0.139	0.213	0.301	0.403	0.519	0.795	1.123	1.506
	NC	26	31	34	37	40	44	48	51
	Throw (ft) - d(h)	5-8-13	6-10-15	7-11-17	8-13-19	8-14-21	10-16-24	11-18-27	12-20-31
25" (630mm)	CFM	1320	1650	1980	2310	2641	3301	3961	4621
	Pressure Loss (in.w.g.)	0.165	0.26	0.375	0.512	0.671	1.053	1.522	2.077
	NC	21	26	30	34	37	43	47	51
	Throw (ft) - d(h)	5-9-14	7-11-17	8-13-20	9-15-22	10-17-25	12-21-31	15-24-36	17-28-42

Performance Notes

- NC value based on 10 db room attenuation
- Horizontal Throw values are based on isothermal air and terminal velocities of **100 fpm, 60 fpm and 40 fpm** respectively

Downward Projection of Heated Air



Downward Projection of Heated Air - 45 Degree Blade Adjustment

Neck Size	Neck (fpm) Velocity	400	500	600	700	800	1000	1200	1400
	Velocity Pressure (H ₂ O)	.010	.016	.022	.031	.041	.062	.090	.122
10" (250mm)	CFM	218	273	327	382	436	545	654	764
	Pressure Loss (in.w.g.)	0.097	0.156	0.23	0.322	0.426	0.687	1.015	1.415
	NC	< 15	20	26	32	36	44	51	56
	Vertical Throw (ft) - d(v)	14-7-6-5	16-8-7-6	19-9-8-6	21-11-9-7	24-12-10-8	29-14-12-10	33-17-14-11	37-19-16-13
12.5" (315mm)	CFM	335	419	503	587	671	839	1006	1174
	Pressure Loss (in.w.g.)	0.084	0.132	0.192	0.264	0.348	0.55	0.798	1.096
	NC	< 15	18	26	32	37	47	54	61
	Vertical Throw (ft) - d(v)	12-7-5-4	16-9-7-5	19-12-9-6	23-14-10-7	27-16-12-8	35-20-15-10	42-25-19-12	50-30-22-15
16" (400mm)	CFM	559	698	838	977	1117	1396	1676	1955
	Pressure Loss (in.w.g.)	0.064	0.1	0.145	0.197	0.259	0.406	0.587	0.8
	NC	< 15	19	23	28	31	37	42	46
	Vertical Throw (ft) - d(v)	14-10-8-6	17-12-9-7	20-14-11-8	22-16-13-9	25-18-14-11	30-21-17-13	35-25-20-15	40-28-22-17
20" (500mm)	CFM	873	1091	1309	1527	1745	2182	2618	3054
	Pressure Loss (in.w.g.)	0.105	0.162	0.23	0.309	0.4	0.616	0.875	1.178
	NC	24	29	33	37	40	45	49	52
	Vertical Throw (ft) - d(v)	15-9-8-6	18-11-9-8	20-13-11-9	23-15-12-10	25-16-13-11	30-19-16-13	35-22-18-15	39-25-21-17
25" (630mm)	CFM	1320	1650	1980	2310	2641	3301	3961	4621
	Pressure Loss (in.w.g.)	0.082	0.129	0.187	0.257	0.338	0.533	0.773	1.059
	NC	17	24	29	33	37	43	48	53
	Vertical Throw (ft) - d(v)	18-11-8-6	21-13-10-7	25-15-12-8	28-17-13-9	32-19-15-10	38-23-18-13	45-27-21-15	51-31-24-17

Performance Notes

- Vertical throw values (in ft) are respectively for **isothermal** and temperature differences of **9°F (5°C)**, **18°F (10°C)** and **27°F (15°C)** in heating mode, all at **terminal velocity of 40 fpm**.

Downward Projection of Heated Air - 60 Degree Blade Adjustment

Neck Size	Neck (fpm) Velocity	400	500	600	700	800	1000	1200	1400
	Velocity Pressure (H2O)	.010	.016	.022	.031	.041	.062	.090	.122
10" (250mm)	CFM	218	273	327	382	436	545	654	764
	Pressure Loss (in.w.g.)	0.073	0.118	0.173	0.242	0.32	0.517	0.763	1.064
	NC	< 15	19	24	28	32	38	43	48
	Vertical Throw (ft) - d(v)	24-12-10-8	28-14-12-10	33-16-14-11	37-19-16-13	41-21-17-14	50-25-21-17	58-29-24-20	65-33-27-22
12.5" (315mm)	CFM	335	419	503	587	671	839	1006	1174
	Pressure Loss (in.w.g.)	0.065	0.102	0.149	0.205	0.269	0.426	0.619	0.849
	NC	< 15	19	26	31	36	44	50	56
	Vertical Throw (ft) - d(v)	23-14-10-7	30-18-13-9	36-21-16-11	43-26-19-13	50-30-22-15	65-38-28-19	79-47-35-23	94-56-41-27
16" (400mm)	CFM	559	698	838	977	1117	1396	1676	1955
	Pressure Loss (in.w.g.)	0.053	0.083	0.12	0.163	0.214	0.335	0.485	0.661
	NC	< 15	17	21	25	28	34	38	42
	Vertical Throw (ft) - d(v)	25-17-14-10	30-21-17-12	35-24-19-15	39-28-22-17	44-31-25-18	53-37-30-22	62-43-35-26	70-49-39-29
20" (500mm)	CFM	873	1091	1309	1527	1745	2182	2618	3054
	Pressure Loss (in.w.g.)	0.078	0.12	0.17	0.229	0.296	0.456	0.648	0.934
	NC	23	28	33	36	40	45	50	54
	Vertical Throw (ft) - d(v)	25-16-13-11	29-19-16-13	34-21-18-14	38-24-20-16	42-27-22-18	50-32-27-21	58-36-31-25	65-41-34-28
25" (630mm)	CFM	1320	1650	1980	2310	2641	3301	3961	4621
	Pressure Loss (in.w.g.)	0.073	0.115	0.167	0.229	0.301	0.476	0.69	0.946
	NC	17	23	29	33	37	43	49	53
	Vertical Throw (ft) - d(v)	44-26-20-14	53-32-24-17	61-37-29-20	70-42-33-23	79-47-37-26	95-57-44-31	111-66-52-37	126-76-59-42

Performance Notes

- Vertical throw values (in ft) are respectively for **isothermal** and temperature differences of **9°F (5°C)**, **18°F (10°C)** and **27°F (15°C)** in heating mode, all at **terminal velocity of 40 fpm**.

How to Specify AX6-MA

Supply and mounting of manually adjustable round swirl diffuser AX6-MA with synchronously adjustable blades and integrated air equalizer. Constructed from aluminum powder coated in white M9016. By EffectiV HVAC / MADEL.

How to Specify AX6-ACTIF

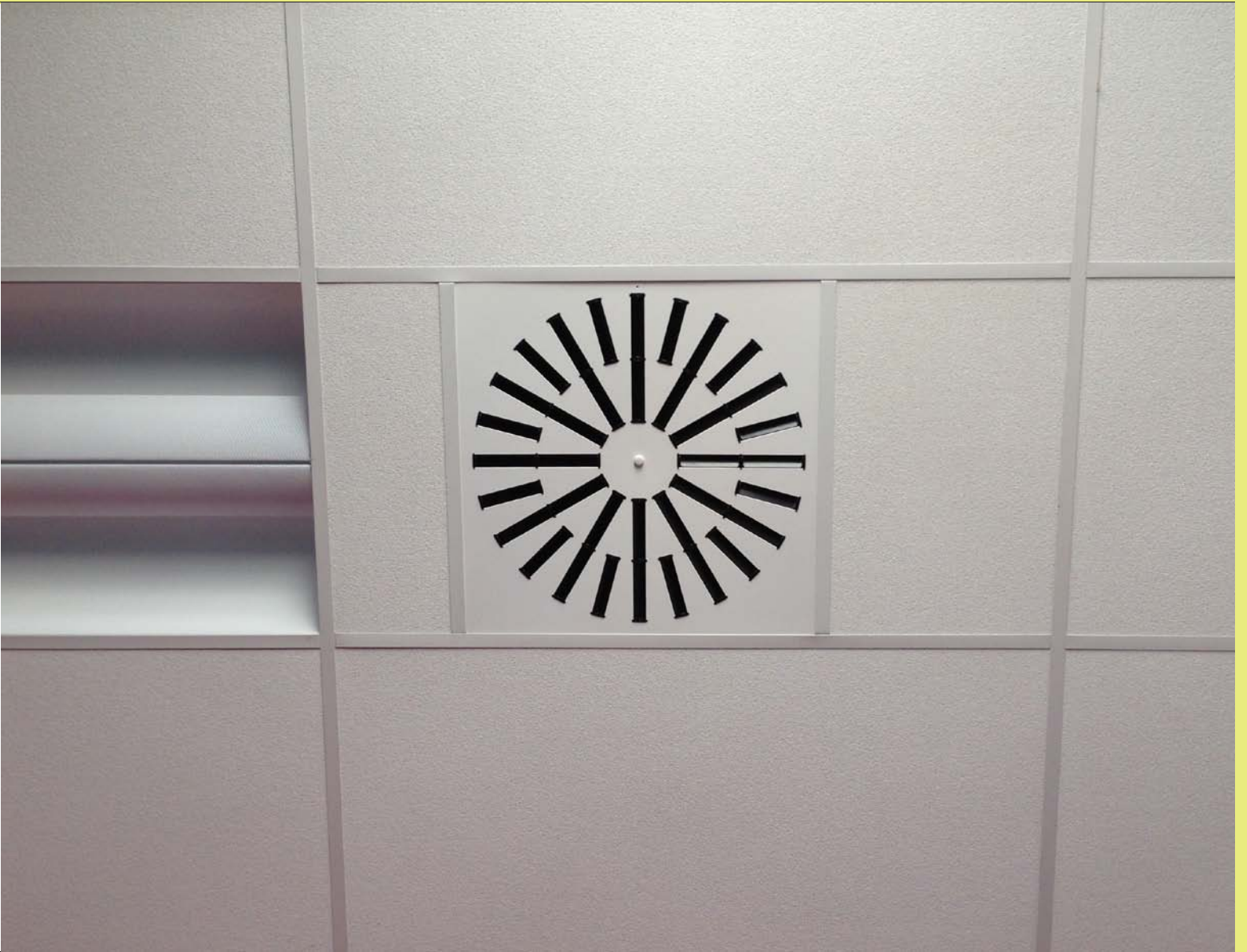
Supply and mounting of round swirl diffuser AX6-ACTIF with autonomously thermally adjustable blades by means of a thermodynamic piston. Comes with integrated air equalizer. Constructed from aluminum powder coated in white M9016. By EffectiV HVAC / MADEL.

How to Specify AX6-MO

Supply and mounting of round swirl diffuser AX6-ACTIF with synchronously adjustable blades by means of an actuator. Comes with integrated air equalizer. Constructed from aluminum powder coated in white M9016. By EffectiV HVAC / MADEL.

How to Order AX6 Series

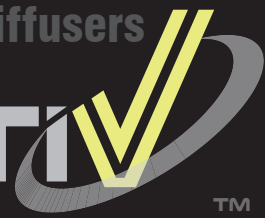
AX6	-MA	-CH6	08				
				Imperial	Metric		
			Neck Diameter	10	10"D	250	250 mm
				12	12.5"D	315	315 mm
				16	16"D	400	400 mm
				20	20"D	500	500 mm
				25	25"D	630	630 mm
		Security Grille		CH6	Security grille for sports facilities		
		Adjustment Method		MA	Manually adjustable		
			MO	Adjusted by means of an actuator			
			ACTIF	Automatic thermal adjustment			



AXO

Adjustable Vanes High Induction Swirl Diffusers

EFFECTIVE
HVAC














TM

AXO SERIES

Adjustable Vanes High Induction Swirl Diffusers



AXO-S & AXO-C
by MADEL®

-  Individually adjustable sectored mixing vanes, available in black or white
-  Multiple patterns available of optimal supply between 50 cfm and 600 cfm
-  Adjustable to swirl, horizontal, vertical or directional
-  High tolerance to air flow variation and duct angle
-  High air flow at relatively low sound power
-  High induction causes rapid reduction of air velocity and temperature difference
-  Square and round shapes available in multiple dimensions and patterns
-  Lay-in, duct mounted or drywall mounted, suitable for all ceilings
-  Heavy-gauge steel face construction with ABS vanes
-  Matching high-performance PERFAIR plenums, choice of top or side connection
-  PERFAIR have built-in anti-seismic attachment tabs & air equalizer/volume damper

AXO swirl diffusers by EffectiV HVAC™ and MADEL® are designed to be applied in air conditioning, ventilation and 1 1/10 heating systems. The design of their vanes and radial arrangement supplies the air in a swirl pattern while leveraging the coanda effect. The resulting high induction ratio helps reduce stratification.

The individually adjustable vanes support multiple angles to adapt the airflow to virtually any environment. The sectored vanes, combined with a PERFAIR high-performance plenum mixing box, emit a uniform airflow throughout the passage section.




The AXO series diffusers admit a flow variation of 60% while keeping the air stream stable. For optimal conditions, AXO diffusers may be used in ceilings 8.5 up to 13 feet (2.6 up to 4 meters) high, with a temperature differential up to 22°F (12°C).

The air pattern adjustability, high level of induction rate and reduced air stratification allow for designs with a much higher level of comfort and provide opportunities for significant energy savings.

The face and plenum box are ordered separately and attached together with a screw through the face which is fixed in the plenum crossbar.

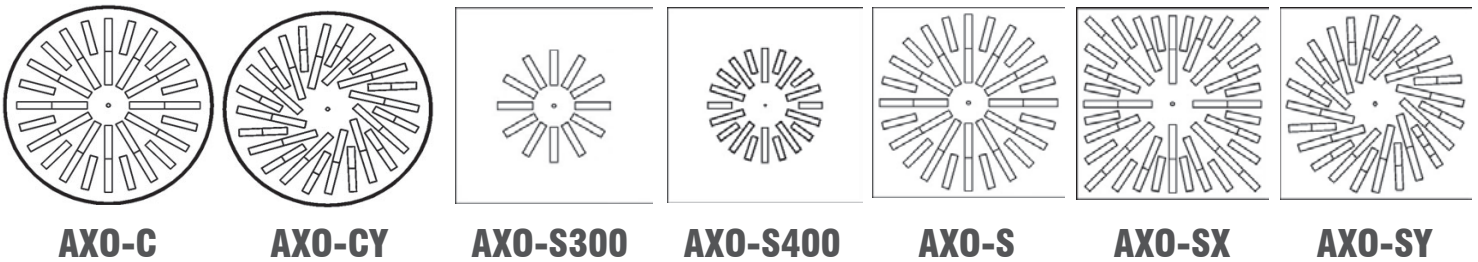
AXO vanes are made of ABS tested in accordance to UL 94 HB *Standard for Tests for Flammability of Plastic Materials for Parts in Devices and Appliances - Horizontal Burning Test*

Some Applications

-  Ideal when comfort and energy efficiency matter
-  Office buildings
-  Schools
-  Clean rooms
-  Classrooms
-  Meeting rooms
-  Cafeterias and restaurants
-  Entrance halls (vertical blast)
-  Multi-purpose rooms



Quick Selection



Circular Models Selection	Min cfm	Max cfm
AXO-C 12 (300 mm)	50	130
AXO-C 16 (400 mm)	100	250
AXO-C 20 (500 mm)	150	330
AXO-C 25, AXO-CY 25 (625 mm)	230	500
AXO-C 33 (825 mm)	360	600

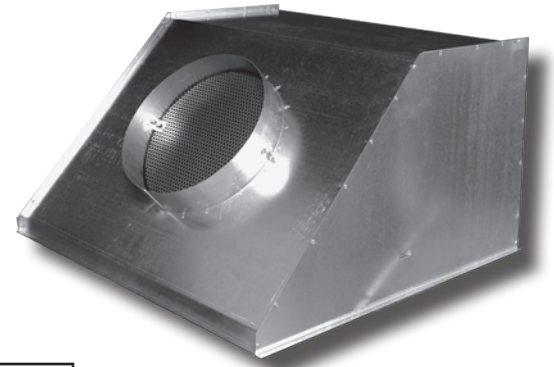
Square Models Selection	Min cfm	Max cfm
AXO-S 12 (299 mm)	50	130
AXO-S 16 (400 mm)	50	160
AXO-S 20 (500 mm)	100	250
AXO-S300 24 (605 mm)	50	160
AXO-S400 24 (605 mm)	100	250
AXO-S 24, AXO-SY 24 (605 mm)	230	500
AXO-SX 24 (605 mm)	300	550
AXO-S 32 (800 mm)	360	600

Important Note: Min cfm and Max cfm are recommended values for optimal performance and can be exceeded in VAV applications.

Plenum Selection

AXO swirl diffusers are available with a wide selection of PERFAIR plenums to suit any type of application. PERFAIR-SS with side connection is the most popular plenum for Square Diffusers and only requires 14" of ceiling space.

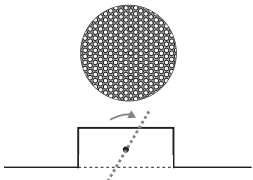
All PERFAIR plenums come with antiseismic tabs and perforated air volume damper / air equalizer.



PERFAIR-SS

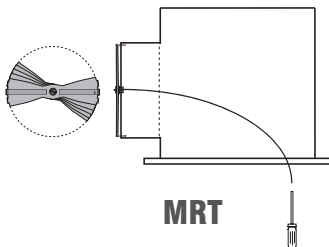
Plenum Model	Face Type	Connection	Recommended For
PERFAIR-CS	Round	Side	False or closed ceiling
PERFAIR-CT	Round	Top	Open ceiling with visible duct coming from top
PERFAIR-SS	Square	Side, Angle	False or closed ceiling
PERFAIR-SSS	Square	Side	Open ceiling with visible duct coming from side
PERFAIR-ST	Square	Top	Open ceiling with visible duct coming from top
PERFAIR-XS	Square	Side, Oval	Very limited ceiling space (6" min)
PERFAIR-XSS	Square	Side, Rect.	Very limited ceiling space (5" min)

Integrated Air Volume Dampers



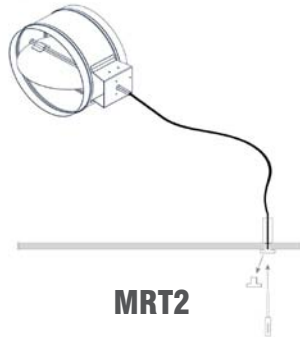
R

Perforated damper + air equalizer (Standard)



MRT

Manually operated damper, cable inside the plenum, adjustment through face



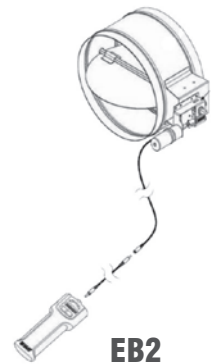
MRT2

Manually operated damper, cable through wall with termination fixture



EB

Battery operated electro-balance damper with remote control, cable through face

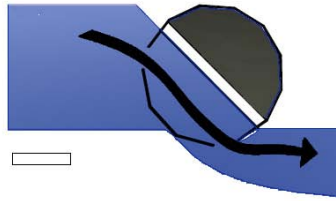
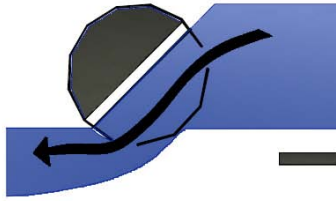


EB2

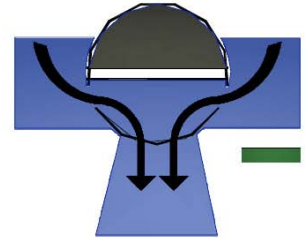
Battery operated electro-balance damper with remote control, cable through wall with termination fixture

AXO Vanes Positioning

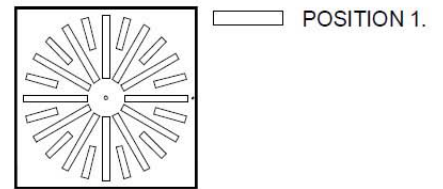
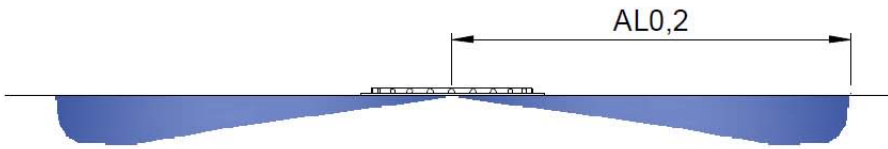
HORIZONTAL SUPPLY.
POSITION 1.



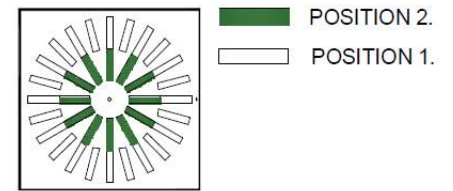
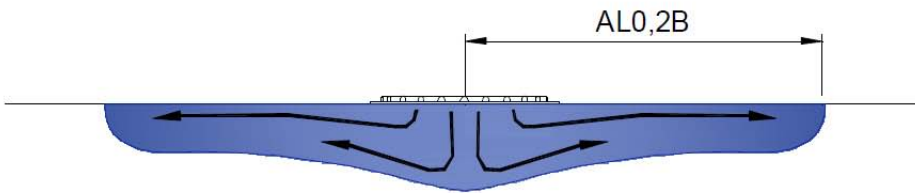
VERTICAL SUPPLY.
POSITION 2.



TYPE A. 100% POSITION 1.



TYPE B. 50% POSITION 1 AND 50% POSITION 2.



$AL_{0.2}$ = Distance at which velocity reaches 40 fpm

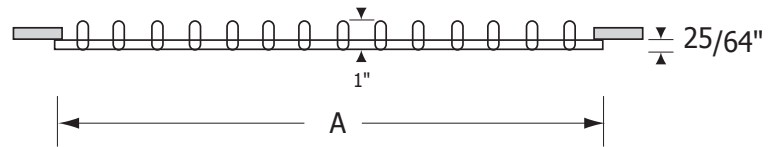
AXO-C Round Diffuser, Radial Vanes



AXO-C

Dim	A (Imperial)	A (Metric)	Free Area (sqf)	Min cfm	Max cfm
12" (300mm)	11 39/64"	295 mm	0.103	50	130
16" (400mm)	15 35/34"	395 mm	0.216	100	250
20" (500mm)	19 31/64"	495 mm	0.312	150	330
25" (625mm)	24 13/32"	620 mm	0.47	230	500
32" (825mm)	32 9/32"	825mm	0.73	360	600

Min cfm and Max cfm are recommended values for optimal performance and can be exceeded in VAV applications.



AXO-C 12 (AXO-C 300) + PERFAIR Performance Data

AXO-C 12 (Imperial), Swirl Effect

AXO-C 300 (Metric)

Neck Size (inches)	Neck (fpm) Velocity	400	500	600	700	800	1000	1200	1400
	Velocity Pressure (H2O)		0.01	0.016	0.022	0.031	0.041	.062	0.09
5	CFM	55	68	82	95	109	136	164	191
	Pressure Loss (in.w.g.)	0.033	0.049	0.069	0.092	0.119	0.181	0.26	0.348
	NC	< 15	15	19	23	27	33	37	41
	Throw (ft) - Coanda Effect	2-3-5	3-4-6	3-5-7	3-5-8	4-6-9	5-8-11	6-9-14	6-11-16
	Throw (ft) - No Ceiling Effect	1-2-3	2-3-4	2-3-5	2-4-6	3-5-7	3-6-9	4-7-10	5-8-12
6	CFM	79	98	118	137	157	196		
	Pressure Loss (in.w.g.)	0.064	0.064	0.139	0.181	0.25	0.35		
	NC	21	26	31	31	35	41		
	Throw (ft) - Coanda Effect	3-4-7	3-5-8	4-7-10	5-8-11	6-9-13	6-11-16		
	Throw (ft) - No Ceiling Effect	2-3-5	2-4-6	3-5-7	3-6-9	4-7-10	5-8-12		
8	CFM	140	175						
	Pressure Loss (in.w.g.)	0.185	0.31						
	NC	32	39						
	Throw (ft) - Coanda Effect	5-8-11	6-10-15						
	Throw (ft) - No Ceiling Effect	3-6-9	4-8-11						

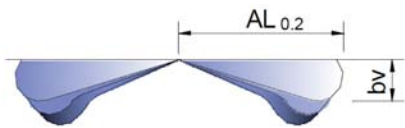
Performance Notes

- NC Value based on 10 db room attenuation.
- Throw Values are based on isothermal air and terminal velocities of **100 fpm, 60 fpm and 40 fpm** respectively.

AXO-C 12 (AXO-C 300) + PERFAIR Performance Data (continued)

Damper Correction Factor		100% Open	50% Open	10% Open
12"D (300mm)	Pressure Loss	x 1	x 1.2	x 2.4
	NC	+0.7	+1.1	+2.4

Delta T Correction Factors		
Δ T (F)	Kh	KI
0	.036	1
-2	.041	.985
-4	.046	.975
-6	.052	.965
-8	.058	.95
-10	.065	.935
-12	.072	.925
-15	.084	.91



$bv = kh \times \text{Throw}$

$\text{Throw}'(\Delta T) = KI \times \text{Throw}$

Kh = Correction Factor for Vertical Diffusion
 KI = Throw Correction Factor
 AL_{0.2} = Distance at which velocity reaches 40 fpm

Ratios		
Throw (ft)	i	Delta T Ratio
4	10	0.046
6	17	0.028
8	23	0.022
10	29	0.017
15	48	-
20	65	-
25	100	-
30	125	-

induced room air = supplied cfm * i

induced room air = cfm mixed for given throw

Delta T (Throw) = Delta T (Supply) * Delta T Ratio

Delta T (Supply) = T (Room) - T (Supply)
 Delta T (Throw) = T (Room) - T (Throw)

AXO-C 16 (AXO-C 400) + PERFAIR Performance Data

AXO-C 16 (Imperial) Swirl Effect

AXO-C 400 (Metric)

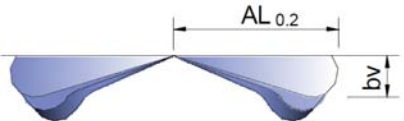
Neck Size (inches)	Neck (fpm) Velocity	200	300	400	500	600	700	800	1000
	Velocity Pressure (H2O)	0.002	0.006	0.01	0.016	0.022	0.031	0.041	.062
6	CFM		59	79	98	118	137	157	196
	Pressure Loss (in.w.g.)		0.009	0.016	0.025	0.035	0.046	0.06	0.092
	NC		< 15	< 15	< 15	< 15	17	21	26
	Throw (ft) - Coanda Effect		1-2-3	2-3-4	2-4-5	3-4-7	3-5-8	4-6-9	4-7-11
	Throw (ft) - No Ceiling Effect		1-2-2	1-2-3	2-3-4	2-3-5	2-4-6	3-4-7	3-5-8
8	CFM	70	105	140	175	209	244	279	349
	Pressure Loss (in.w.g.)	0.013	0.028	0.048	0.074	0.104	0.139	0.18	0.276
	NC	< 15	< 15	16	21	25	29	32	38
	Throw (ft) - Coanda Effect	2-3-4	2-4-6	3-5-8	4-7-10	5-8-12	5-9-14	6-10-16	8-13-19
	Throw (ft) - No Ceiling Effect	1-2-3	2-3-4	2-4-6	3-5-7	3-6-9	4-7-10	5-8-12	6-10-15

Performance Notes

- NC Value based on 10 db room attenuation.
- Throw Values are based on isothermal air and terminal velocities of **100 fpm, 60 fpm and 40 fpm** respectively.

Damper Correction Factor		100% Open	50% Open	10% Open
16" D (400mm)	Pressure Loss	x 1	x 1.2	x 2.3
	NC	+0.8	+1.5	+2.9

Delta T Correction Factors		
Δ T (F)	Kh	KI
0	.036	1
-2	.041	.985
-4	.046	.975
-6	.052	.965
-8	.058	.95
-10	.065	.935
-12	.072	.925
-15	.084	.91



$bv = kh \times \text{Throw}$

$\text{Throw}'(\Delta T) = KI \times \text{Throw}$

Kh = Correction Factor for Vertical Diffusion
 KI = Throw Correction Factor
 AL_{0.2} = Distance at which velocity reaches 40 fpm

Ratios		
Throw (ft)	i	Delta T Ratio
4	7	0.052
6	13	0.034
8	18	0.026
10	24	0.019
15	39	-
20	55	-
25	72	-

induced room air = supplied cfm * i

induced room air = cfm mixed for given throw

Delta T (Throw) = Delta T (Supply) * Delta T Ratio

Delta T (Supply) = T (Room) - T (Supply)
 Delta T (Throw) = T (Room) - T (Throw)

AXO-C 20 (AXO-C 500) + PERFAIR Performance Data

AXO-C 20 (Imperial) Swirl Effect

AXO-C 500 (Metric)

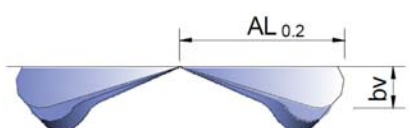
Neck Size (inches)	Neck (fpm) Velocity	400	500	600	700	800	1000	1200
	Velocity Pressure (H2O)		.010	.016	.022	.031	.041	.062
6	CFM		98	118	137	157	196	236
	Pressure Loss (in.w.g.)		0.015	0.021	0.028	0.036	0.055	0.079
	NC		< 15	< 15	< 15	< 15	19	24
	Throw (ft) - Coanda Effect		2-3-4	2-3-5	2-4-6	3-5-7	4-6-9	4-7-11
	Throw (ft) - No Ceiling Effect		1-2-3	2-3-4	2-3-5	2-3-5	3-4-7	3-5-8
8	CFM	140	175	209	244	279	349	419
	Pressure Loss (in.w.g.)	0.029	0.045	0.062	0.084	0.108	0.166	0.281
	NC	< 15	17	21	25	28	34	40
	Throw (ft) - Coanda Effect	2-4-6	3-5-8	4-6-9	4-7-11	5-8-12	6-10-16	8-13-19
	Throw (ft) - No Ceiling Effect	2-3-5	2-4-6	3-5-7	3-5-8	4-6-9	5-8-12	6-10-14
10	CFM	218	273	327	382			
	Pressure Loss (in.w.g.)	0.068	0.104	0.147	0.198			
	NC	22	28	32	36			
	Throw (ft) - Coanda Effect	4-6-10	5-8-12	6-10-15	7-11-17			
	Throw (ft) - No Ceiling Effect	3-5-7	4-6-9	4-7-11	5-8-13			

Performance Notes

- NC Value based on 10 db room attenuation.
- Throw Values are based on isothermal air and terminal velocities of **100 fpm, 60 fpm and 40 fpm** respectively.

Damper Correction Factor		100% Open	50% Open	10% Open
20"D (500mm)	Pressure Loss	x 1	x 1.4	x 4
	NC	+0.8	+2.1	+2.8

Delta T Correction Factors		
Δ T (F)	Kh	KI
0	.036	1
-2	.041	.985
-4	.046	.975
-6	.052	.965
-8	.058	.95
-10	.065	.935
-12	.072	.925
-15	.084	.91



$bv = kh \times \text{Throw}$

$\text{Throw}'(\Delta T) = KI \times \text{Throw}$

Kh = Correction Factor for Vertical Diffusion
 KI = Throw Correction Factor
 AL_{0.2} = Distance at which velocity reaches 40 fpm

AXO-C 20 (AXO-C 500) + PERFAIR Performance Data (continued)

Ratios				<p>induced room air = supplied cfm * i</p> <p>induced room air = cfm mixed for given throw</p>
Throw (ft)	i (type A)	i (type B)	Delta T Ratio	
4	6	9	0.082	<p>Delta T (Throw) = Delta T (Supply) * Delta T Ratio</p> <p>Delta T (Supply) = T (Room) - T (Supply) Delta T (Throw) = T (Room) - T (Throw)</p>
6	12	17	0.047	
8	16	24	0.035	
10	20	30	0.028	
15	33	50	0.018	
20	46	73	0.01	
25	58	97		

AXO-C 25 (AXO-C 625) + PERFAIR Performance Data

AXO-C 25 (Imperial) Swirl Effect

AXO-C 625 (Metric)

Neck Size (inches)	Neck (fpm) Velocity	400	500	600	700	800	1000	1200	1400
	Velocity Pressure (H2O)	.010	.016	.022	.031	.041	.062	.090	.122
6	CFM		98	118	137	157	196	236	275
	Pressure Loss (in.w.g.)		0.008	0.011	0.015	0.019	0.029	0.041	0.055
	NC		< 15	< 15	< 15	< 15	< 15	18	21
	Throw (ft) - Coanda Effect		1-2-4	2-3-4	2-3-5	2-4-6	3-5-7	4-6-9	4-7-10
	Throw (ft) - No Ceiling Effect		1-2-3	1-2-3	2-3-4	2-3-4	2-4-6	3-4-7	3-5-8
8	CFM	140	175	209	244	279	349	419	489
	Pressure Loss (in.w.g.)	0.015	0.023	0.033	0.044	0.057	0.087	0.124	0.166
	NC	< 15	< 15	16	19	21	26	30	33
	Throw (ft) - Coanda Effect	2-3-5	3-4-7	3-5-8	4-6-9	4-7-10	5-9-13	6-10-16	7-12-18
	Throw (ft) - No Ceiling Effect	2-3-4	2-3-5	2-4-6	3-5-7	3-5-8	4-7-10	5-8-12	6-9-14
10	CFM	218	273	327	382	436	545	654	764
	Pressure Loss (in.w.g.)	0.036	0.055	0.077	0.104	0.133	0.205	0.29	0.39
	NC	16	21	25	28	30	35	40	>40
	Throw (ft) - Coanda Effect	3-5-8	4-7-10	5-8-12	6-10-14	7-11-16	8-14-21	10-16-25	12-19-29
	Throw (ft) - No Ceiling Effect	2-4-6	3-5-8	4-6-9	4-7-11	5-8-12	6-10-15	7-12-19	9-14-22
12	CFM	314	393	471	550	628	785		
	Pressure Loss (in.w.g.)	0.071	0.11	0.155	0.208	0.276	0.345		
	NC	24	28	32	35	38	44		
	Throw (ft) - Coanda Effect	5-8-12	6-10-15	7-12-18	8-14-21	9-15-23	12-19-29		
	Throw (ft) - No Ceiling Effect	4-6-9	4-7-11	5-9-13	6-10-16	7-11-17	9-14-22		

Performance Notes

- NC Value based on 10 db room attenuation.
- Throw Values are based on isothermal air and terminal velocities of **100 fpm, 60 fpm and 40 fpm** respectively.

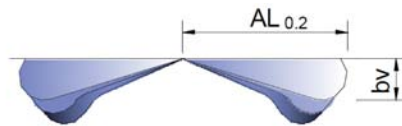
AXO-C 25 (AXO-C 625) + PERFAIR Performance Data (continued)

Damper Correction Factor		100% Open	50% Open	10% Open
25"D (625mm)	Pressure Loss	x 1	x 1.5	x 4.8
	NC	+0.9	+5.8	+7.7

Type B Throw Correction Factor	
Dim	Correction Factor
25"D	0.74

Type B = 50% position 1, 50% position 2

Delta T Correction Factors		
Δ T (F)	Kh	KI
0	.036	1
-2	.041	.985
-4	.046	.975
-6	.052	.965
-8	.058	.95
-10	.065	.935
-12	.072	.925
-15	.084	.91



$bv = kh \times \text{Throw}$

$\text{Throw}'(\Delta T) = KI \times \text{Throw}$

Kh = Correction Factor for Vertical Diffusion
 KI = Throw Correction Factor
 $AL_{0.2}$ = Distance at which velocity reaches 40 fpm

Ratios			
Throw (ft)	i (type A)	i (type B)	Delta T Ratio
4	5	7	0.115
6	9	14	0.068
8	12	19	0.052
10	16	25	0.04
15	26	42	0.027
20	37	60	0.02
25	47	60	0.016
30	60	100	-

induced room air = supplied cfm * i

induced room air = cfm mixed for given throw

Delta T (Throw) = Delta T (Supply) * Delta T Ratio

Delta T (Supply) = T (Room) - T (Supply)

Delta T (Throw) = T (Room) - T (Throw)

AXO-C 33 (AXO-C 825) + PERFAIR Performance Data

AXO-C 33 (Imperial) Swirl Effect

AXO-C 825 (Metric)

Neck Size	Neck (fpm) Velocity	400	500	600	700	800	1000	1200	1400
	Velocity Pressure (H2O)	.010	.016	.022	.031	.041	.062	.090	.122
12" (300mm)	CFM	314	393	471	550	628	785	942	1100
	Pressure Loss (in.w.g.)	0.027	0.042	0.059	0.079	0.102	0.156	0.221	0.297
	NC	16	21	26	30	33	38	43	47
	Throw (ft) - Coanda Effect	4-6-9	4-7-11	5-9-13	6-10-15	7-12-18	9-15-22	10-18-26	12-20-31
	Throw (ft) - No Ceiling Effect	3-4-7	3-5-8	4-7-10	5-8-12	5-9-13	7-11-16	8-13-20	9-15-23

NC Value based on 10 db room attenuation.

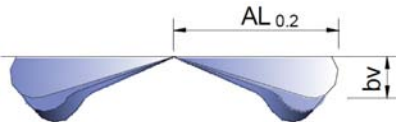
Throw Values are based on isothermal air and terminal velocities of **100 fpm, 60 fpm and 40 fpm** respectively.

Damper Correction Factor		100% Open	50% Open	10% Open
32"D (825mm)	Pressure Loss	x 1	x 1.7	x 4.5
	NC	+0.9	+4.4	+7.8

Type B Throw Correction Factor	
Dim	Correction Factor
32"D (825mm)	0.74

Type B = 50% position 1, 50% position 2

Delta T Correction Factors		
Δ T (F)	Kh	KI
0	.036	1
-2	.041	.985
-4	.046	.975
-6	.052	.965
-8	.058	.95
-10	.065	.935
-12	.072	.925
-15	.084	.91



$bv = kh \times \text{Throw}$

$\text{Throw}'(\Delta T) = KI \times \text{Throw}$

Kh = Correction Factor for Vertical Diffusion
 KI = Throw Correction Factor
 AL_{0.2} = Distance at which velocity reaches 40 fpm

Ratios			
Throw (ft)	i (type A)	i (type B)	Delta T Ratio
4	< 5	< 5	0.19
6	6	8	0.11
8	8	12	0.082
10	12	15	0.065
15	18	25	0.044
20	26	36	0.033
25	32	46	0.026
30	41	60	0.021

induced room air = supplied cfm * i

induced room air = cfm mixed for given throw

Delta T (Throw) = Delta T (Supply) * Delta T Ratio

Delta T (Supply) = T (Room) - T (Supply)
 Delta T (Throw) = T (Room) - T (Throw)

How to Specify AXO-C

Supply and mounting of circular high induction swirl diffuser with individually adjustable radial vanes model AXO-C. Constructed from galvanised steel face panel powder coated in white M9016, with ABS adjustable vanes. Shall be supplied and installed with PERFAIR high performance plenum box featuring integrated air equalizer and volume damper, security tabs, crossbar and long screw for easy face attachment. By Effectiv HVAC / MADEL.

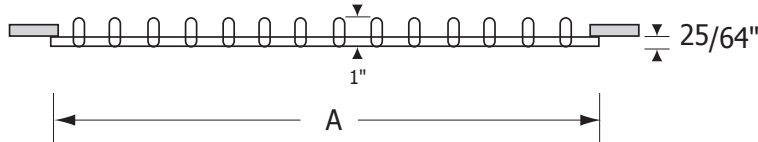
AXO-CY Round Diffuser, Radial Inclined Vanes

Dim	A (Imperial)	A (Metric)	Free Area (sqf)	Min cfm	Max cfm
25" (625mm)	24 13/32"	620 mm	0.47	230	500

Min cfm and Max cfm are recommended values for optimal performance and can be exceeded in VAV applications.



AXO-CY



AXO-CY + PERFAIR Performance Data

AXO-CY 25 (Imperial) Swirl Effect

AXO-CY 625 (Metric)

Neck Size (inches)	Neck (fpm) Velocity	400	500	600	700	800	1000	1200	1400
	Velocity Pressure (H2O)		.010	.016	.022	.031	.041	.062	.090
6	CFM	79	98	118	137	157	196	236	275
	Pressure Loss (in.w.g.)	0.017	0.026	0.035	0.047	0.061	0.091	0.126	0.188
	NC	< 15	< 15	17	21	24	27	31	37
	Throw (ft) - Coanda Effect	1-2-4	2-3-5	2-3-5	2-4-6	3-4-7	3-8-11	4-6-9	4-7-11
	Throw (ft) - No Ceiling Effect	1-2-3	2-2-4	2-3-4	2-3-5	2-3-5	2-5-9	3-5-7	3-5-8
8	CFM	140	175	209	244	279	349	419	489
	Pressure Loss (in.w.g.)	0.027	0.041	0.054	0.073	0.094	0.146	0.197	0.29
	NC	< 15	18	21	24	27	32	38	44
	Throw (ft) - Coanda Effect	2-4-6	3-4-7	3-5-8	4-6-9	4-7-11	5-9-13	7-11-15	8-13-19
	Throw (ft) - No Ceiling Effect	2-3-5	2-3-5	2-4-6	3-5-7	3-5-8	4-6-10	5-8-12	6-9-14
10	CFM	218	273	327	382	436	545	654	764
	Pressure Loss (in.w.g.)	0.036	0.055	0.077	0.104	0.133	0.205	0.29	0.39
	NC	15	20	23	26	29	33	37	40
	Throw (ft) - Coanda Effect	3-5-8	4-7-10	5-8-12	6-10-14	7-11-16	8-14-21	10-16-25	12-19-29
	Throw (ft) - No Ceiling Effect	2-4-6	3-5-8	4-6-9	4-7-11	5-8-12	6-10-15	7-12-19	9-14-22
12	CFM	314	393	471	550	628	785		
	Pressure Loss (in.w.g.)	0.063	0.095	0.121	0.166	0.216	0.325		
	NC	22	27	31	34	38	44		
	Throw (ft) - Coanda Effect	5-8-11	6-10-15	8-13-19	8-14-21	9-15-23	12-19-29		
	Throw (ft) - No Ceiling Effect	4-6-9	4-7-11	6-9-14	6-10-15	7-11-17	9-14-22		

Performance Notes

- NC Value based on 10 db room attenuation.
- Throw Values are based on isothermal air and terminal velocities of **100 fpm, 60 fpm and 40 fpm** respectively.

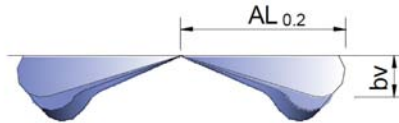
AXO-CY + PERFAIR Performance Data (continued)

Damper Correction Factor		100% Open	50% Open	10% Open
25"D (625mm)	Pressure Loss	x 1	x 1.5	x 4.8
	NC	+ 0.8	+5.1	+7

Type B Throw Correction Factor	
Dim	Correction Factor
25"D	0.74

Type B = 50% position 1, 50% position 2

Delta T Correction Factors		
Δ T (F)	Kh	KI
0	.036	1
-2	.041	.985
-4	.046	.975
-6	.052	.965
-8	.056	.95
-10	.064	.935
-12	.072	.925
-15	.084	.91



$bv = kh \times \text{Throw}$

$\text{Throw}'(\Delta T) = KI \times \text{Throw}$

Kh = Correction Factor for Vertical Diffusion

KI = Throw Correction Factor

$AL_{0.2}$ = Distance at which velocity reaches 40 fpm

Ratios			
Throw (ft)	i (type A)	i (type B)	Delta T Ratio
4	5	7	0.115
6	9	14	0.068
8	12	19	0.052
10	16	25	0.04
15	26	42	0.027
20	37	60	0.02
25	47	60	0.016
30	60	100	-

induced room air = supplied cfm * i

induced room air = cfm mixed for given throw

Delta T (Throw) = Delta T (Supply) * Delta T Ratio

Delta T (Supply) = T (Room) - T (Supply)

Delta T (Throw) = T (Room) - T (Throw)

How to Specify AXO-CY

Supply and mounting of circular high induction swirl diffuser with individually adjustable radial inclined vanes model AXO-CY, dimension 25 inches or 625 mm. Constructed from galvanised steel face panel powder coated in white M9016, with ABS adjustable vanes. Shall be supplied and installed with PERFAIR high performance plenum box featuring integrated air equalizer and volume damper, security tabs, crossbar and long screw for easy face attachment. By EffectiV HVAC / MADEL.

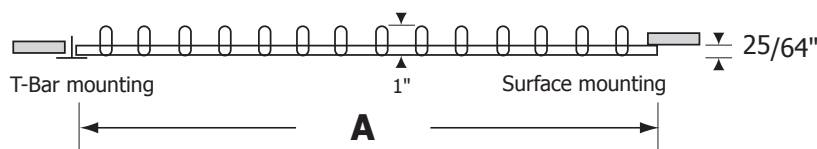
AXO-S Square Diffuser, Radial Vanes



AXO-S
by MADEL®

List Size	A	Free Area (sqf)	CFM Min	CFM Max
12 (299)	11 37/64" (294 mm)	0.10	50	160
16 (400)	15 3/4" (395 mm)	0.216	100	250
20 (500)	19 3/4" (495 mm)	0.312	150	330
24 (605)	23 5/8" (600 mm)	0.48	230	550
32 (800)	31 1/2" (795 mm)	0.73	360	600

Min cfm and Max cfm are recommended values for optimal performance and can be exceeded in VAV applications.



AXO-S 12 + PERFAIR Performance Data

12" x 12" Face (Imperial), Swirl Effect

299 mm x 299 mm Face (Metric)

Neck Size (inches)	Neck (fpm) Velocity	400	500	600	700	800	1000	1200	1400
	Velocity Pressure (H2O)		0.01	0.016	0.022	0.031	0.041	.062	0.09
5	CFM	55	68	82	95	109	136	164	191
	Pressure Loss (in.w.g.)	0.033	0.049	0.069	0.092	0.119	0.181	0.26	0.348
	NC	< 15	15	19	23	27	33	37	41
	Throw (ft) - Coanda Effect	2-3-5	3-4-6	3-5-7	3-5-8	4-6-9	5-8-11	6-9-14	6-11-16
	Throw (ft) - No Ceiling Effect	1-2-3	2-3-4	2-3-5	2-4-6	3-5-7	3-6-9	4-7-10	5-8-12
6	CFM	79	98	118	137	157	196		
	Pressure Loss (in.w.g.)	0.064	0.064	0.139	0.181	0.25	0.35		
	NC	21	26	31	31	35	41		
	Throw (ft) - Coanda Effect	3-4-7	3-5-8	4-7-10	5-8-11	6-9-13	6-11-16		
	Throw (ft) - No Ceiling Effect	2-3-5	2-4-6	3-5-7	3-6-9	4-7-10	5-8-12		
8	CFM	140	175						
	Pressure Loss (in.w.g.)	0.185	0.31						
	NC	32	39						
	Throw (ft) - Coanda Effect	5-8-11	6-10-15						
	Throw (ft) - No Ceiling Effect	3-6-9	4-8-11						

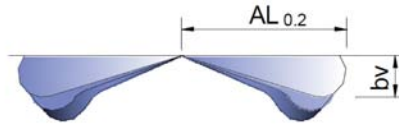
Performance Notes

- NC Value based on 10 db room attenuation.
- Throw Values are based on isothermal air and terminal velocities of **100 fpm, 60 fpm and 40 fpm** respectively.

AXO-S 12 + PERFAIR Performance Data (continued)

Damper Correction Factor		100% Open	50% Open	10% Open
12"x12" (299mm)	Pressure Loss	x1	x 1.2	x 2.4
	NC	+0.07	+1.1	+2.4

Delta T Correction Factors		
Δ T (F)	Kh	KI
0	.036	1
-2	.041	.985
-4	.046	.975
-6	.052	.965
-8	.058	.95
-10	.065	.935
-12	.072	.925
-15	.084	.91



$$bv = kh \times \text{Throw}$$

$$\text{Throw}'(\Delta T) = KI \times \text{Throw}$$

Kh = Correction Factor for Vertical Diffusion

KI = Throw Correction Factor

AL_{0.2} = Distance at which velocity reaches 40 fpm

Ratios		
Throw (ft)	i	Delta T Ratio
4	10	0.046
6	17	0.028
8	23	0.022
10	29	0.017
15	48	-
20	65	-
25	100	-
30	125	-

$$\text{induced room air} = \text{supplied cfm} * i$$

induced room air = cfm mixed for given throw

$$\text{Delta T (Throw)} = \text{Delta T (Supply)} * \text{Delta T Ratio}$$

$$\text{Delta T (Supply)} = T (\text{Room}) - T (\text{Supply})$$

$$\text{Delta T (Throw)} = T (\text{Room}) - T (\text{Throw})$$

AXO-S 16 (AXO-S 400) + PERFAIR Performance Data

16" x 16" Face (Imperial), Swirl Effect

400 mm x 400 mm Face (Metric)

Neck Size (inches)	Neck (fpm) Velocity	200	300	400	500	600	700	800	1000
		Velocity Pressure (H2O)	0.002	0.006	0.01	0.016	0.022	0.031	0.041
6	CFM		59	79	98	118	137	157	196
	Pressure Loss (in.w.g.)		0.009	0.016	0.025	0.035	0.046	0.06	0.092
	NC		< 15	< 15	< 15	< 15	17	21	26
	Throw (ft) - Coanda Effect		1-2-3	2-3-4	2-4-5	3-4-7	3-5-8	4-6-9	4-7-11
	Throw (ft) - No Ceiling Effect		1-2-2	1-2-3	2-3-4	2-3-5	2-4-6	3-4-7	3-5-8
8	CFM	70	105	140	175	209	244	279	349
	Pressure Loss (in.w.g.)	0.013	0.028	0.048	0.074	0.104	0.139	0.18	0.276
	NC	< 15	< 15	16	21	25	29	32	38
	Throw (ft) - Coanda Effect	2-3-4	2-4-6	3-5-8	4-7-10	5-8-12	5-9-14	6-10-16	8-13-19
	Throw (ft) - No Ceiling Effect	1-2-3	2-3-4	2-4-6	3-5-7	3-6-9	4-7-10	5-8-12	6-10-15

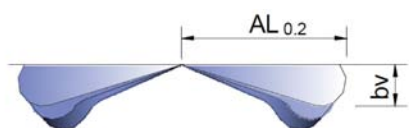
Performance Notes

- NC Value based on 10 db room attenuation.
- Throw Values are based on isothermal air and terminal velocities of **100 fpm, 60 fpm and 40 fpm** respectively.

Damper Correction Factor		100% Open	50% Open	10% Open
16"x16" (605mm)	Pressure Loss	x 1	x 1.2	x 2.3
	NC	+0.8	+1.5	+2.9

Delta T Correction Factors

Δ T (F)	Kh	KI
0	.036	1
-2	.041	.985
-4	.046	.975
-6	.052	.965
-8	.058	.95
-10	.065	.935
-12	.072	.925
-15	.084	.91



$bv = kh \times \text{Throw}$

$\text{Throw}'(\Delta T) = KI \times \text{Throw}$

Kh = Correction Factor for Vertical Diffusion
 KI = Throw Correction Factor
 AL_{0.2} = Distance at which velocity reaches 40 fpm

Ratios

Throw (ft)	i	Delta T Ratio
4	7	0.052
6	13	0.034
8	18	0.026
10	24	0.019
15	39	-
20	55	-
25	72	-

induced room air = supplied cfm * i

induced room air = cfm mixed for given throw

Delta T (Throw) = Delta T (Supply) * Delta T Ratio

Delta T (Supply) = T (Room) - T (Supply)

Delta T (Throw) = T (Room) - T (Throw)

AXO-S 20 (AXO-S 500) + PERFAIR Performance Data

20" x 20" Face (Imperial), Swirl Effect

500 mm x 500 mm Face (Metric)

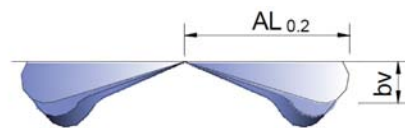
Neck Size (inches)	Neck (fpm) Velocity	400	500	600	700	800	1000	1200
	Velocity Pressure (H2O)	.010	.016	.022	.031	.041	.062	.090
6	CFM		98	118	137	157	196	236
	Pressure Loss (in.w.g.)		0.015	0.021	0.028	0.036	0.055	0.079
	NC		< 15	< 15	< 15	< 15	19	24
	Throw (ft) - Coanda Effect		2-3-4	2-3-5	2-4-6	3-5-7	4-6-9	4-7-11
	Throw (ft) - No Ceiling Effect		1-2-3	2-3-4	2-3-5	2-3-5	3-4-7	3-5-8
8	CFM	140	175	209	244	279	349	419
	Pressure Loss (in.w.g.)	0.029	0.045	0.062	0.084	0.108	0.166	0.281
	NC	< 15	17	21	25	28	34	40
	Throw (ft) - Coanda Effect	2-4-6	3-5-8	4-6-9	4-7-11	5-8-12	6-10-16	8-13-19
	Throw (ft) - No Ceiling Effect	2-3-5	2-4-6	3-5-7	3-5-8	4-6-9	5-8-12	6-10-14
10	CFM	218	273	327	382			
	Pressure Loss (in.w.g.)	0.068	0.104	0.147	0.198			
	NC	22	28	32	36			
	Throw (ft) - Coanda Effect	4-6-10	5-8-12	6-10-15	7-11-17			
	Throw (ft) - No Ceiling Effect	3-5-7	4-6-9	4-7-11	5-8-13			

Performance Notes

- NC Value based on 10 db room attenuation.
- Throw Values are based on isothermal air and terminal velocities of **100 fpm, 60 fpm and 40 fpm** respectively.

Damper Correction Factor		100% Open	50% Open	10% Open
20"x20" (500mm)	Pressure Loss	x 1	x 1.4	x 4
	NC	+0.8	+2.1	+2.8

Delta T Correction Factors		
Δ T (F)	Kh	KI
0	.036	1
-2	.041	.985
-4	.046	.975
-6	.052	.965
-8	.058	.95
-10	.065	.935
-12	.072	.925
-15	.084	.91



$bv = kh \times \text{Throw}$
 $\text{Throw}'(\Delta T) = KI \times \text{Throw}$

Kh = Correction Factor for Vertical Diffusion
 KI = Throw Correction Factor
 AL_{0.2} = Distance at which velocity reaches 40 fpm

AXO-S 20 (AXO-S 500) + PERFAIR Performance Data (continued)

Ratios			
Throw (ft)	i (type A)	i (type B)	Delta T Ratio
4	6	9	0.082
6	12	17	0.047
8	16	24	0.035
10	20	30	0.028
15	33	50	0.018
20	46	73	0.01
25	58	97	

induced room air = supplied cfm * i

induced room air = cfm mixed for given throw

Delta T (Throw) = Delta T (Supply) * Delta T Ratio

Delta T (Supply) = T (Room) - T (Supply)
Delta T (Throw) = T (Room) - T (Throw)

AXO-S 24 + PERFAIR Performance Data

24" x 24" Face (Imperial), Swirl Effect

605mm x 605mm Face (Metric)

Neck Size (inches)	Neck (fpm) Velocity	400	500	600	700	800	1000	1200	1400	1600
	Velocity Pressure (H2O)	.010	.016	.022	.031	.041	.062	.090	.122	.160
6	CFM		98	118	137	157	196	236	275	314
	Pressure Loss (in.w.g.)		0.008	0.011	0.015	0.019	0.029	0.041	0.055	0.071
	NC		< 15	< 15	< 15	< 15	15	19	22	25
	Throw (ft) - Coanda Effect		1-2-4	2-3-4	2-3-5	2-4-6	3-5-7	4-6-9	4-7-10	5-8-12
	Throw (ft) - No Ceiling Effect		1-2-3	1-2-3	2-3-4	2-3-4	2-4-6	3-4-7	3-5-8	4-6-9
8	CFM	140	175	209	244	279	349	419	489	559
	Pressure Loss (in.w.g.)	0.015	0.023	0.033	0.044	0.057	0.087	0.124	0.166	0.215
	NC	< 15	< 15	16	20	22	27	31	35	38
	Throw (ft) - Coanda Effect	2-3-5	3-4-7	3-5-8	4-6-9	4-7-10	5-9-13	6-10-16	7-12-18	8-14-21
	Throw (ft) - No Ceiling Effect	2-3-4	2-3-5	2-4-6	3-5-7	3-5-8	4-7-10	5-8-12	6-9-14	6-10-16
10	CFM	218	273	327	382	436	545	654	764	873
	Pressure Loss (in.w.g.)	0.036	0.055	0.077	0.104	0.133	0.205	0.29	0.389	0.502
	NC	17	22	26	28	32	37	40	43	46
	Throw (ft) - Coanda Effect	3-5-8	4-7-10	5-8-12	6-10-14	7-11-16	8-14-21	10-16-25	12-19-29	13-22-33
	Throw (ft) - No Ceiling Effect	2-4-6	3-5-8	4-6-9	4-7-11	5-8-12	6-10-15	7-12-19	9-14-22	10-16-25
12	CFM	314	393	471	550	628				
	Pressure Loss (in.w.g.)	0.071	0.11	0.155	0.208	0.246				
	NC	25	30	34	37	40				
	Throw (ft) - Coanda Effect	5-8-12	6-10-15	7-12-18	8-14-21	9-15-23				
	Throw (ft) - No Ceiling Effect	4-6-9	4-7-11	5-9-13	6-10-16	7-11-17				

Performance Notes

- NC Value based on 10 db room attenuation.
- Throw Values are based on isothermal air and terminal velocities of **100 fpm, 60 fpm and 40 fpm** respectively.

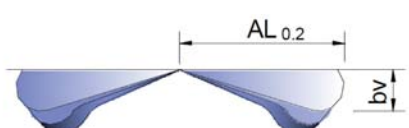
Damper Correction Factor		100% Open	50% Open	10% Open
12"x12" (299mm)	Pressure Loss	x1	x 1.2	x 2.4
	NC	+0.07	+1.1	+2.4
24"x24" (605mm)	Pressure Loss	x 1	x 1.5	x 4.8
	NC	+0.9	+5.8	+7.7

Type B Throw Correction Factor	
Dim	Correction Factor
24" x 24" (605mm)	0.74

Type B = 50% position 1, 50% position 2

AXO-S + PERFAIR Performance Data (continued)

Delta T Correction Factors		
Δ T (F)	Kh	KI
0	.036	1
-2	.041	.985
-4	.046	.975
-6	.052	.965
-8	.058	.95
-10	.065	.935
-12	.072	.925
-15	.084	.91



$bv = kh \times \text{Throw}$

$\text{Throw}'(\Delta T) = KI \times \text{Throw}$

Kh = Correction Factor for Vertical Diffusion
 KI = Throw Correction Factor
 AL_{0.2} = Distance at which velocity reaches 40 fpm

Ratios					
Throw (ft)	i 12"	Delta T Ratio 12"	i 24" (A)	i 24" (B)	Delta T Ratio 24"
4	10	0.046	7	7	0.115
6	17	0.028	9	14	0.068
8	23	0.022	11	19	0.052
10	29	0.017	16	25	0.04
15	48	-	26	42	0.027
20	65	-	37	60	0.02
25	100	-	47	80	0.016
30	125	-	61	100	-

induced room air = supplied cfm * i

induced room air = cfm mixed for given throw

Delta T (Throw) = Delta T (Supply) * Delta T Ratio

Delta T (Supply) = T (Room) - T (Supply)
 Delta T (Throw) = T (Room) - T (Throw)

AXO-S 32 (AXO-S 800) + PERFAIR Performance Data

32" x 32" Face (Imperial), Swirl Effect

800 mm x 800 mm Face (Metric)

Neck Size	Neck (fpm) Velocity	400	500	600	700	800	1000	1200	1400
	Velocity Pressure (H2O)		.010	.016	.022	.031	.041	.062	.090
12" (300mm)	CFM	314	393	471	550	628	785	942	1100
	Pressure Loss (in.w.g.)	0.027	0.042	0.059	0.079	0.102	0.156	0.221	0.297
	NC	18	24	29	33	37	43	48	> 50
	Throw (ft) - Coanda Effect	4-6-9	4-7-11	5-9-13	6-10-15	7-12-18	9-15-22	11-17-26	12-20-31
	Throw (ft) - No Ceiling Effect	3-4-7	3-5-8	4-7-10	5-8-12	5-9-13	7-11-16	8-13-20	9-15-23

NC Value based on 10 db room attenuation.

Throw Values are based on isothermal air and terminal velocities of **100 fpm, 60 fpm and 40 fpm** respectively.

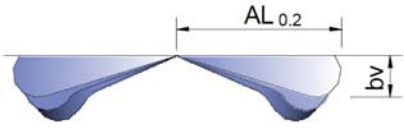
Damper Correction Factor		100% Open	50% Open	10% Open
32"x32" (800mm)	Pressure Loss	x 1	x 1.7	x 4.5
	NC	+0.9	+4.4	+7.8

Type B Throw Correction Factor	
Dim	Correction Factor
32"x32" (800mm)	0.74

Type B = 50% position 1, 50% position 2

AXO-S 32 (AXO-S 800) + PERFAIR Performance Data (continued)

Delta T Correction Factors		
Δ T (F)	Kh	KI
0	.036	1
-2	.041	.985
-4	.046	.975
-6	.052	.965
-8	.058	.95
-10	.065	.935
-12	.072	.925
-15	.084	.91



$bv = kh \times \text{Throw}$

$\text{Throw}'(\Delta T) = KI \times \text{Throw}$

Kh = Correction Factor for Vertical Diffusion
 KI = Throw Correction Factor
 AL_{0.2} = Distance at which velocity reaches 40 fpm

Ratios			
Throw (ft)	i (type A)	i (type B)	Delta T Ratio
4	< 5	< 5	0.19
6	6	8	0.11
8	8	12	0.082
10	12	15	0.065
15	18	25	0.044
20	26	36	0.033
25	32	16	0.026
30	41	60	0.021

induced room air = supplied cfm * i

induced room air = cfm mixed for given throw

Delta T (Throw) = Delta T (Supply) * Delta T Ratio

Delta T (Supply) = T (Room) - T (Supply)
 Delta T (Throw) = T (Room) - T (Throw)

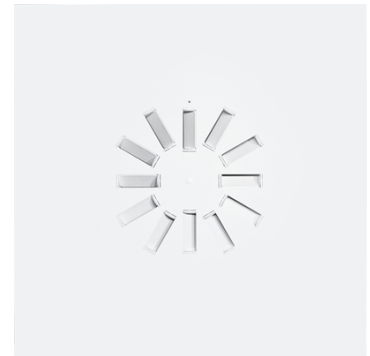
How to Specify AXO-S

Supply and mounting of square high induction swirl diffuser model AXO-S, with individually adjustable radial vanes. Constructed from galvanised steel face panel powder coated in white M9016, with ABS adjustable vanes. Shall be supplied and installed with PERFAIR high performance plenum box featuring integrated air equalizer and volume damper, security tabs, crossbar and long screw for easy face attachment. By Effectiv HVAC / MADEL.

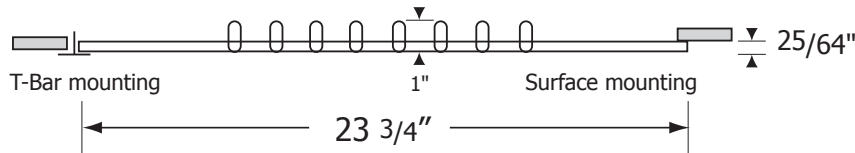
AXO-S300 Square Diffuser, Radial Vanes, Very Low CFM

Dim A	Free Area (sqf)	CFM Min	CFM Max
24"x24" (605mm)	0.10	50	160

Min cfm and Max cfm are recommended values for optimal performance and can be exceeded in VAV applications.



AXO-S300



AXO-S300 + PERFAIR Performance Data

24" x 24" Face (Imperial), Swirl Effect

605mm x 605mm Face (Metric)

Neck Size (inches)	Neck (fpm) Velocity	400	500	600	700	800	1000	1200	1400
	Velocity Pressure (H2O)		0.01	0.016	0.022	0.031	0.041	.062	0.09
5	CFM	55	68	82	95	109	136	164	191
	Pressure Loss (in.w.g.)	0.033	0.049	0.069	0.092	0.119	0.181	0.26	0.348
	NC	< 15	15	19	23	27	33	37	41
	Throw (ft) - Coanda Effect	2-3-5	3-4-6	3-5-7	3-5-8	4-6-9	5-8-11	6-9-14	6-11-16
	Throw (ft) - No Ceiling Effect	1-2-3	2-3-4	2-3-5	2-4-6	3-5-7	3-6-9	4-7-10	5-8-12
6	CFM	79	98	118	137	157	196		
	Pressure Loss (in.w.g.)	0.064	0.064	0.139	0.181	0.25	0.35		
	NC	21	26	31	31	35	41		
	Throw (ft) - Coanda Effect	3-4-7	3-5-8	4-7-10	5-8-11	6-9-13	6-11-16		
	Throw (ft) - No Ceiling Effect	2-3-5	2-4-6	3-5-7	3-6-9	4-7-10	5-8-12		
8	CFM	140	175						
	Pressure Loss (in.w.g.)	0.185	0.31						
	NC	32	39						
	Throw (ft) - Coanda Effect	5-8-11	6-10-15						
	Throw (ft) - No Ceiling Effect	3-6-9	4-8-11						

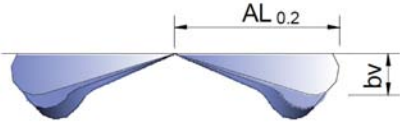
Performance Notes

- NC Value based on 10 db room attenuation.
- Throw Values are based on isothermal air and terminal velocities of **100 fpm, 60 fpm and 40 fpm** respectively.

Damper Correction Factor		100% Open	50% Open	10% Open
24"x24" (605mm)	Pressure Loss	x1	x 1.2	x 2.4
	NC	+0.7	+1.1	+2.4

AXO-S300 + PERFAIR Performance Data (continued)

Delta T Correction Factors		
Δ T (F)	Kh	KI
0	.036	1
-2	.041	.985
-4	.046	.975
-6	.052	.965
-8	.058	.95
-10	.065	.935
-12	.072	.925
-15	.084	.91



$bv = kh \times \text{Throw}$

$\text{Throw}'(\Delta T) = KI \times \text{Throw}$

Kh = Correction Factor for Vertical Diffusion
 KI = Throw Correction Factor
 AL_{0.2} = Distance at which velocity reaches 40 fpm

Ratios		
Throw (ft)	i	Delta T Ratio
4	10	0.046
6	17	0.028
8	23	0.022
10	29	0.017
15	48	-
20	65	-
25	100	-
30	125	-

induced room air = supplied cfm * i

induced room air = cfm mixed for given throw

Delta T (Throw) = Delta T (Supply) * Delta T Ratio

Delta T (Supply) = T (Room) - T (Supply)
 Delta T (Throw) = T (Room) - T (Throw)

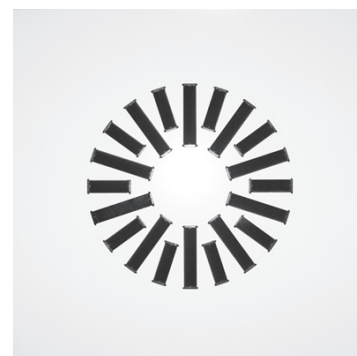
How to Specify AXO-S300

Supply and mounting of square high induction swirl diffuser model AXO-S300, with individually adjustable radial vanes for lower CFM. Constructed from galvanised steel face panel powder coated in white M9016, with ABS adjustable vanes. Shall be supplied and installed with PERFAIR high performance plenum box featuring integrated air equalizer and volume damper, security tabs, crossbar and long screw for easy face attachment. By EffectiV HVAC / MADEL.

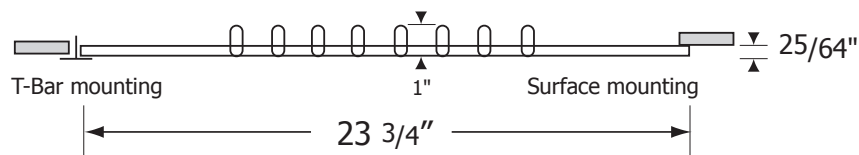
AXO-S400 Square Diffuser, Radial Vanes, Low CFM

Dim A	Free Area (sqf)	CFM Min	CFM Max
24"x24" (605mm)	0.22	100	300

Min cfm and Max cfm are recommended values for optimal performance and can be exceeded in VAV applications.



AXO-S400



AXO-S400 + PERFAIR Performance Data

24" x 24" Face (Imperial), Swirl Effect

605mm x 605mm Face (Metric)

Neck Size (inches)	Neck (fpm) Velocity	200	300	400	500	600	700	800	1000
	Velocity Pressure (H2O)		0.002	0.006	0.01	0.016	0.022	0.031	0.041
6	CFM		59	79	98	118	137	157	196
	Pressure Loss (in.w.g.)		0.009	0.016	0.025	0.035	0.046	0.06	0.092
	NC		< 15	< 15	< 15	< 15	17	21	26
	Throw (ft) - Coanda Effect		1-2-3	2-3-4	2-4-5	3-4-7	3-5-8	4-6-9	4-7-11
	Throw (ft) - No Ceiling Effect		1-2-2	1-2-3	2-3-4	2-3-5	2-4-6	3-4-7	3-5-8
8	CFM	70	105	140	175	209	244	279	349
	Pressure Loss (in.w.g.)	0.013	0.028	0.048	0.074	0.104	0.139	0.18	0.276
	NC	< 15	< 15	16	21	25	29	32	38
	Throw (ft) - Coanda Effect	2-3-4	2-4-6	3-5-8	4-7-10	5-8-12	5-9-14	6-10-16	8-13-19
	Throw (ft) - No Ceiling Effect	1-2-3	2-3-4	2-4-6	3-5-7	3-6-9	4-7-10	5-8-12	6-10-15
10	CFM	109	164	218	273	327	382	436	545
	Pressure Loss (in.w.g.)	0.03	0.065	0.011	0.173	0.244	0.328	0.422	0.647
	NC	< 15	22	29	34	> 40	> 40	> 40	> 40
	Throw (ft) - Coanda Effect	2-4-6	4-6-9	5-8-12	6-10-15	7-12-18	9-14-21	10-16-24	12-20-30
	Throw (ft) - No Ceiling Effect	2-3-5	3-5-7	4-6-9	5-8-11	5-9-14	6-11-16	7-12-18	9-15-23

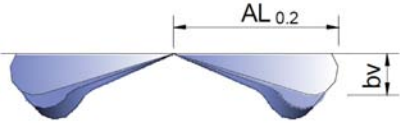
Performance Notes

- NC Value based on 10 db room attenuation.
- Throw Values are based on isothermal air and terminal velocities of **100 fpm, 60 fpm and 40 fpm** respectively.

Damper Correction Factor		100% Open	50% Open	10% Open
24"x24" (605mm)	Pressure Loss	x 1	x 1.2	x 2.3
	NC	+0.8	+1.5	+2.9

AXO-S400 + PERFAIR Performance Data (continued)

Delta T Correction Factors		
Δ T (F)	Kh	KI
0	.036	1
-2	.041	.985
-4	.046	.975
-6	.052	.965
-8	.058	.95
-10	.065	.935
-12	.072	.925
-15	.084	.91



$bv = kh \times \text{Throw}$

$\text{Throw}'(\Delta T) = KI \times \text{Throw}$

Kh = Correction Factor for Vertical Diffusion
 KI = Throw Correction Factor
 AL_{0.2} = Distance at which velocity reaches 40 fpm

Ratios		
Throw (ft)	i	Delta T Ratio
4	7	0.052
6	13	0.034
8	18	0.026
10	24	0.019
15	39	-
20	55	-
25	72	-
30	90	-

induced room air = supplied cfm * i

induced room air = cfm mixed for given throw

Delta T (Throw) = Delta T (Supply) * Delta T Ratio

Delta T (Supply) = T (Room) - T (Supply)
 Delta T (Throw) = T (Room) - T (Throw)

How to Specify AXO-S400

Supply and mounting of square high induction swirl diffuser model AXO-S400, with individually adjustable radial vanes for lower CFM. Constructed from galvanised steel face panel powder coated in white M9016, with ABS adjustable vanes. Shall be supplied and installed with PERFAIR high performance plenum box featuring integrated air equalizer and volume damper, security tabs, crossbar and long screw for easy face attachment. By EffectiV HVAC / MADEL.

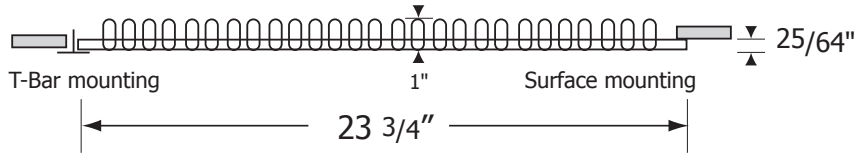
AXO-SX Square Diffuser, Radial Vanes, High CFM

Dim A	Free Area (sqf)	CFM Min	CFM Max
24"x24" (605mm)	0.62	300	550

Min cfm and Max cfm are recommended values for optimal performance and can be exceeded in VAV applications.



AXO-SX



AXO-SX + PERFAIR Performance Data

24" x 24" Face (Imperial), Swirl Effect

605mm x 605mm Face (Metric)

Neck Size (inches)	Neck (fpm) Velocity	400	500	600	700	800	1000	1200	1400	1600
	Velocity Pressure (H2O)		.010	.016	.022	.031	.041	.062	0.09	0.122
6	CFM			118	137	157	196	236	275	314
	Pressure Loss (in.w.g.)			0.007	0.01	0.013	0.019	0.027	0.037	0.047
	NC			< 15	< 15	< 15	< 15	< 15	16	20
	Throw (ft) - Coanda Effect			2-3-4	2-3-4	2-3-4	2-4-5	3-4-7	3-5-8	4-6-9
	Throw (ft) - No Ceiling Effect			1-2-3	1-2-3	1-2-3	2-3-4	2-3-5	2-4-6	3-4-7
8	CFM	140	175	209	244	279	349	419	489	559
	Pressure Loss (in.w.g.)	0.013	0.015	0.022	0.029	0.038	0.058	0.082	0.11	0.142
	NC	< 15	< 15	< 15	< 15	17	23	28	32	36
	Throw (ft) - Coanda Effect	2-3-4	2-3-5	2-4-6	3-4-7	3-5-8	4-6-10	5-8-12	5-9-14	6-10-16
	Throw (ft) - No Ceiling Effect	1-2-3	1-2-4	2-3-4	2-3-5	2-4-6	3-5-7	4-6-9	4-7-10	5-8-12
10	CFM	218	273	327	382	436	545	654	764	873
	Pressure Loss (in.w.g.)	0.023	0.036	0.051	0.069	0.088	0.135	0.191	0.258	0.332
	NC	< 15	16	21	25	29	36	41	45	47
	Throw (ft) - Coanda Effect	2-4-6	3-5-8	4-6-9	4-7-11	5-8-12	6-10-15	7-12-18	9-14-21	10-16-24
	Throw (ft) - No Ceiling Effect	2-3-5	2-4-6	3-5-7	3-5-8	4-6-9	5-8-11	5-9-14	6-11-16	7-12-18
12	CFM	314	393	471	550	628	785			
	Pressure Loss (in.w.g.)	0.047	0.072	0.102	0.138	0.177	0.271			
	NC	20	27	31	36	40	46			
	Throw (ft) - Coanda Effect	4-6-5	4-7-11	5-9-13	6-10-15	7-12-18	9-14-22			
	Throw (ft) - No Ceiling Effect	3-4-4	3-5-8	4-6-10	5-8-12	5-9-13	7-11-16			

Performance Notes

- NC Value based on 10 db room attenuation.
- Throw Values are based on isothermal air and terminal velocities of **100 fpm, 60 fpm and 40 fpm** respectively.

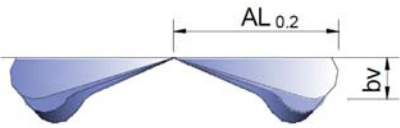
AXO-SX + PERFAIR Performance Data (continued)

Damper Correction Factor		100% Open	50% Open	10% Open
24"x24" (605mm)	Pressure Loss	x1	x1.5	x4.8
	NC	+0.8	+4.8	+5.2

Type B Throw Correction Factor	
Dim	Correction Factor
24"x24"	0.6

Type B = 50% position 1, 50% position 2

Delta T Correction Factors		
Δ T (F)	Kh	KI
0	0.36	1
-2	.041	.985
-4	.046	.975
-6	.058	.965
-8	.058	.95
-10	.065	.935
-12	.072	.925
-15	.084	.91



$bv = kh \times \text{Throw}$

$\text{Throw}'(\Delta T) = KI \times \text{Throw}$

Kh = Correction Factor for Vertical Diffusion
 KI = Throw Correction Factor
 AL_{0.2} = Distance at which velocity reaches 40 fpm

Ratios			
Throw (ft)	i (type A)	i (type B)	Delta T Ratio
4	< 5	9	1.3
6	8	18	0.08
8	12	26	0.06
10	16	34	0.047
15	28	55	0.03
20	43	82	0.023
25	56	115	0.018
30	78	145	0.015

induced room air = supplied cfm * i

induced room air = cfm mixed for given throw

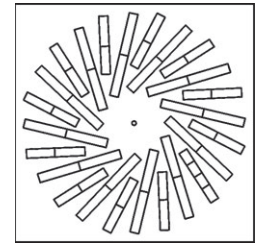
Delta T (Throw) = Delta T (Supply) * Delta T Ratio

Delta T (Supply) = T (Room) - T (Supply)
 Delta T (Throw) = T (Room) - T (Throw)

How to Specify AXO-SX

Supply and mounting of square high induction swirl diffuser model AXO-SX, with individually adjustable radial vanes for higher CFM. Constructed from galvanised steel face panel powder coated in white M9016, with ABS adjustable vanes. Shall be supplied and installed with PERFAIR high performance plenum box featuring integrated air equalizer and volume damper, security tabs, crossbar and long screw for easy face attachment. By EffectiV HVAC / MADEL.

AXO-SY Square Diffuser, Radial Incline Vanes



AXO-SY

Dim A	Free Area (sqf)	CFM Min	CFM Max
24"x24" (605mm)	0.47	230	500

Min cfm and Max cfm are recommended values for optimal performance and can be exceeded in VAV applications.

AXO-SY + PERFAIR Performance Data

24" x 24" Face (Imperial), Swirl Effect

605mm x 605mm Face (Metric)

Neck Size (inches)	Neck (fpm) Velocity	400	500	600	700	800	1000	1200	1400
	Velocity Pressure (H2O)		.010	.016	.022	.031	.041	.062	0.09
6	CFM		98	118	137	157	196	236	275
	Pressure Loss (in.w.g.)		0.008	0.011	0.015	0.019	0.03	0.042	0.057
	NC		< 15	< 15	< 15	< 15	< 15	17	21
	Throw (ft) - Coanda Effect		1-2-3	2-3-4	2-3-5	2-4-5	3-4-7	3-5-8	4-6-10
	Throw (ft) - No Ceiling Effect		1-2-3	1-2-3	1-2-4	2-3-4	2-3-5	2-4-6	3-5-7
8	CFM	140	175	209	244	279	349	419	489
	Pressure Loss (in.w.g.)	0.016	0.024	0.034	0.045	0.058	0.089	0.127	0.17
	NC	< 15	< 15	< 15	18	21	26	31	35
	Throw (ft) - Coanda Effect	2-3-5	2-4-6	3-5-7	3-6-8	4-6-10	5-8-12	6-10-15	7-11-17
	Throw (ft) - No Ceiling Effect	1-2-4	2-3-5	2-4-5	3-4-6	3-5-7	4-6-9	4-7-11	5-8-13
10	CFM	218	273	327	382	436	545	654	764
	Pressure Loss (in.w.g.)	0.036	0.056	0.079	0.106	0.137	0.209	0.296	0.399
	NC	15	20	25	29	32	38	> 40	> 40
	Throw (ft) - Coanda Effect	3-5-8	4-6-10	5-8-11	5-9-13	6-10-15	8-13-19	9-15-23	11-18-27
	Throw (ft) - No Ceiling Effect	2-4-6	3-5-7	3-6-9	4-7-10	5-8-11	6-9-14	7-11-17	8-13-20
12	CFM	314	393	471	550	628	785		
	Pressure Loss (in.w.g.)	0.073	0.112	0.158	0.213	0.273	0.342		
	NC	24	30	34	38	>40	>40		
	Throw (ft) - Coanda Effect	4-7-11	5-9-14	7-11-16	8-13-19	9-15-23	12-19-29		
	Throw (ft) - No Ceiling Effect	3-5-8	4-7-10	5-8-12	6-10-14	7-10-16	9-14-22		

Performance Notes

- NC Value based on 10 db room attenuation.
- Throw Values are based on isothermal air and terminal velocities of **100 fpm, 60 fpm and 40 fpm** respectively.

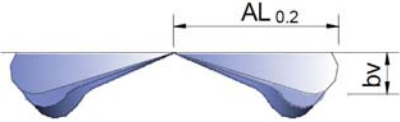
AXO-SY + PERFAIR or BOXSTAR Performance Data (continued)

Damper Correction Factor		100% Open	50% Open	10% Open
24"x24" (605mm)	Pressure Loss	x1	x1.5	x4.8
	NC	+0.9	+5.1	+7

Type B Throw Correction Factor	
Dim	Correction Factor
24"x24"	0.75

Type B = 50% position 1, 50% position 2

Delta T Correction Factors		
Δ T (F)	Kh	KI
0	0.36	1
-2	.041	.985
-4	.046	.975
-6	.058	.965
-8	.058	.95
-10	.065	.935
-12	.072	.925
-15	.084	.91



$bv = kh \times \text{Throw}$

$\text{Throw}'(\Delta T) = KI \times \text{Throw}$

Kh = Correction Factor for Vertical Diffusion
 KI = Throw Correction Factor
 AL_{0.2} = Distance at which velocity reaches 40 fpm

Ratios			
Throw (ft)	i (type A)	i (type B)	Delta T Ratio
4	5	7	0.125
6	9	13	0.075
8	13	19	0.057
10	17	27	0.045
15	26	45	0.03
20	39	65	0.023
25	50	86	0.018
30	62	115	0.014

induced room air = supplied cfm * i

induced room air = cfm mixed for given throw

Delta T (Throw) = Delta T (Supply) * Delta T Ratio

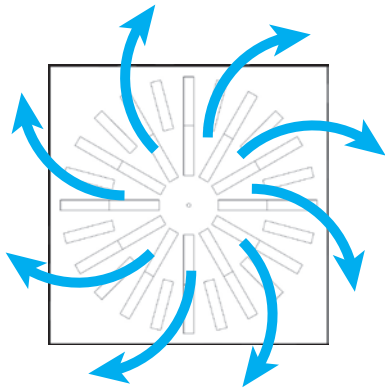
Delta T (Supply) = T (Room) - T (Supply)
 Delta T (Throw) = T (Room) - T (Throw)

How to Specify AXO-SY

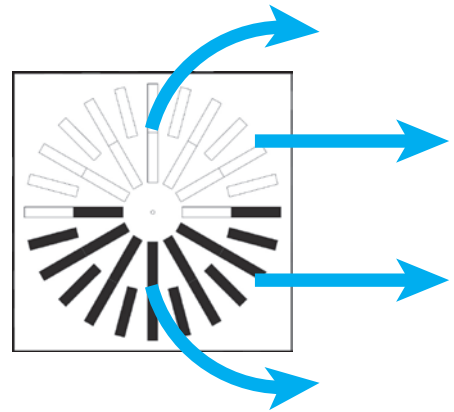
Supply and mounting of square high induction swirl diffuser model AXO-SY, with individually adjustable radial inclined vanes. Constructed from galvanised steel face panel powder coated in white M9016, with ABS adjustable vanes. Shall be supplied and installed with PERFAIR high performance plenum box featuring integrated air equalizer and volume damper, security tabs, crossbar and long screw for easy face attachment. By EffectiV HVAC / MADEL.

AXO-S 24 and AXO-C 25 Adjustment and Patterns

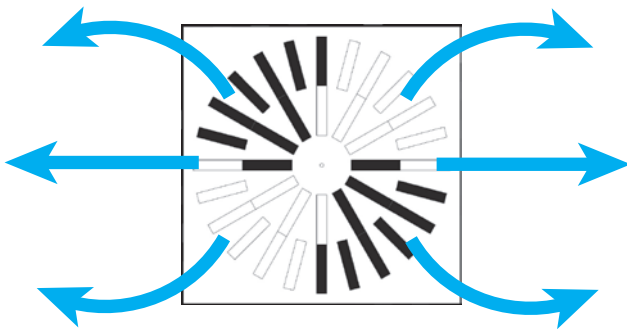
Swirl (standard)



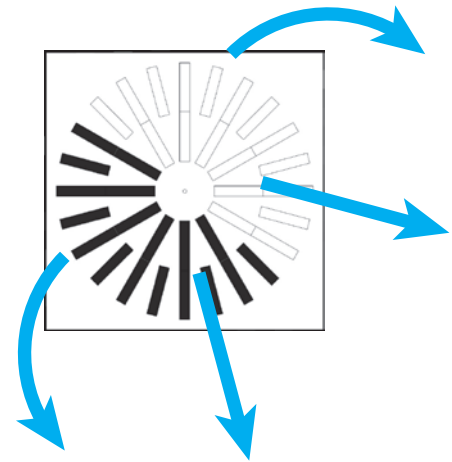
1 Way



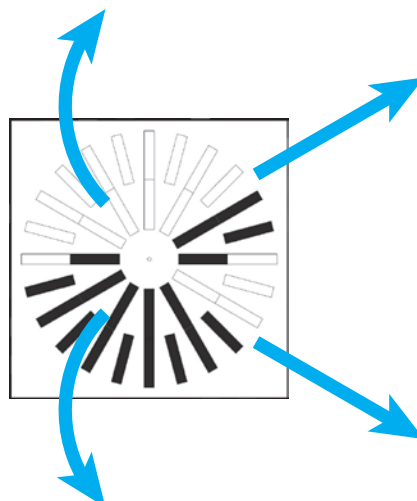
2 Way Opposed



2 Way Corner

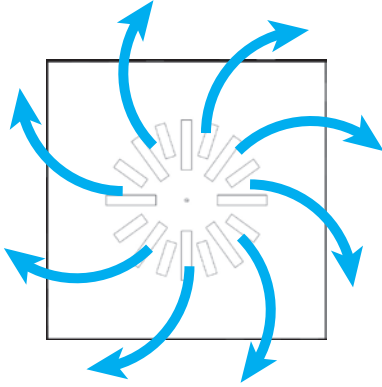


3 Way

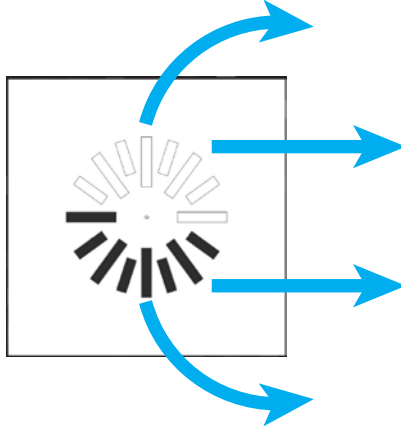


AXO-S400 Adjustment and Patterns

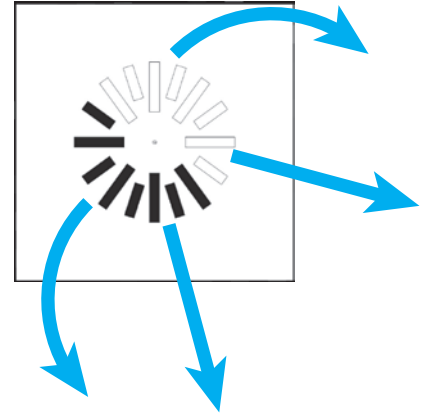
Swirl (standard)



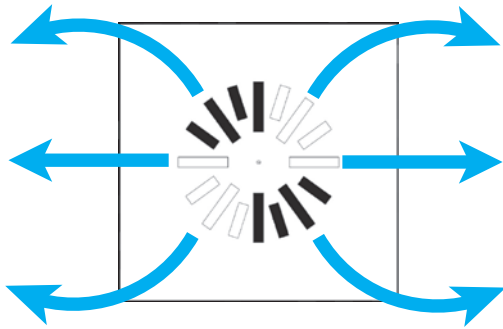
1 Way



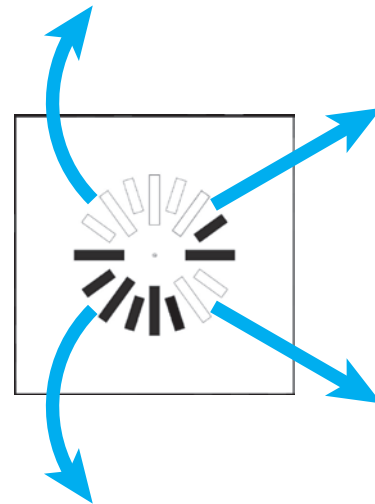
2 Way Corner



2 Way Opposed

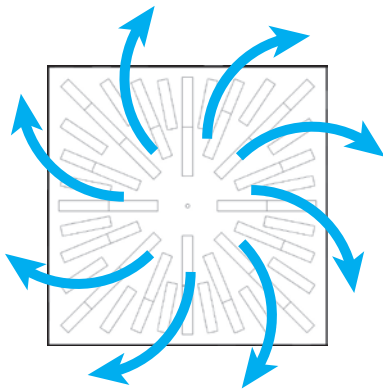


3 Way

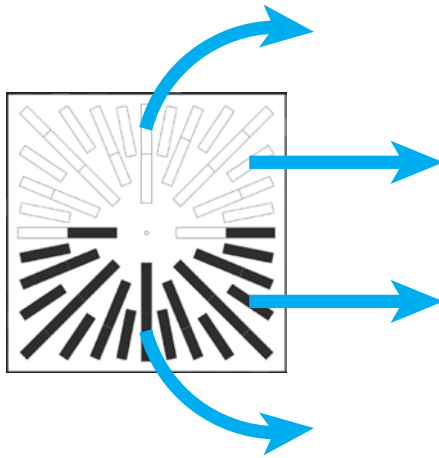


AXO-SX 24 Adjustment and Patterns

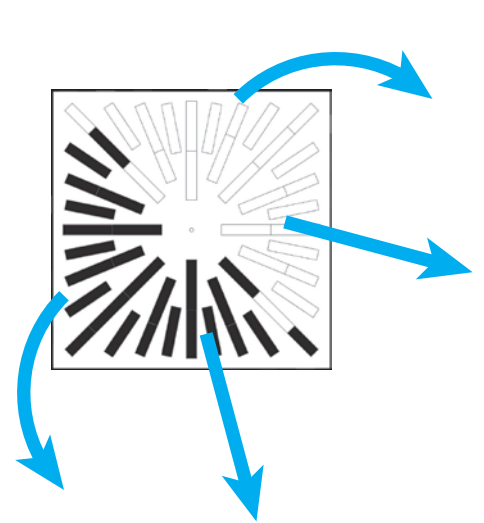
Swirl (standard)



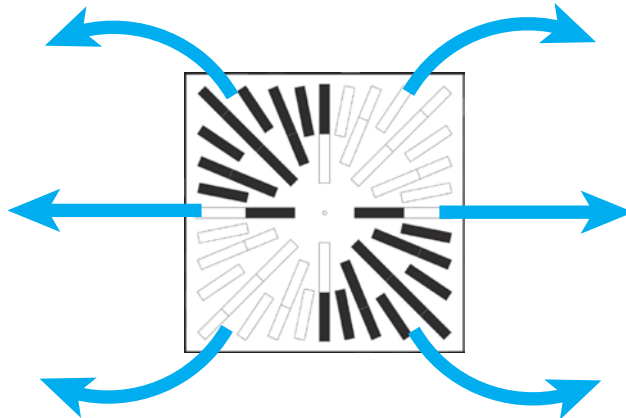
1 Way



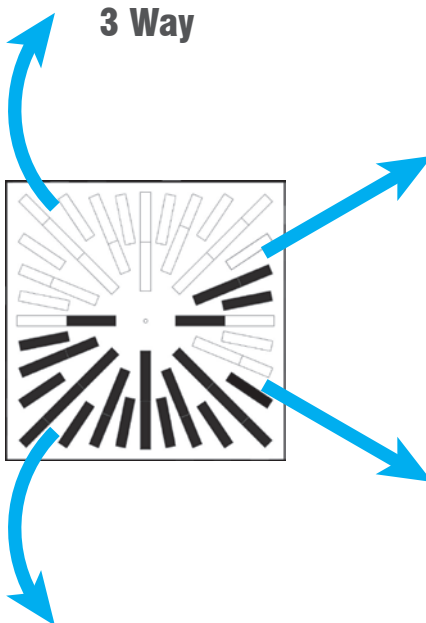
2 Way Corner



2 Way Opposed



3 Way







AXP

Aluminum Round Swirl Diffuser

EFFECTIVE
HVAC









TM

AXP SERIES

Aluminum Round Swirl Diffuser



AXP
by **MADEL®**

-  Fixed swirl diffusion pattern
-  Commercial and industrial applications
-  Heavy-gauge spun aluminum construction
-  Duct mounted or drywall mounted
-  Ideal for heating, cooling and VAV applications
-  Available in imperial and metric standard dimensions

AXP series round swirl diffusers by EffectiV HVAC™ and MADEL® are designed to supply air in heating, air conditioning and ventilation applications, in premises with ceilings 8.5 up to 13 feet (2.6 up to 4 meters) high and with temperature differential up to 22°F (12°C). They are suitable for multiple types of commercial buildings.

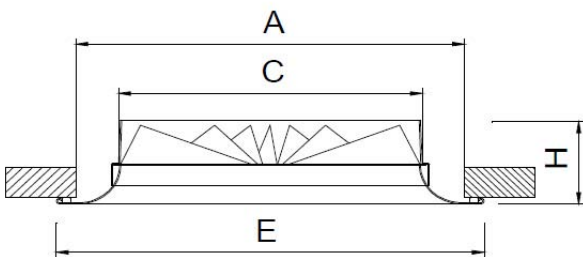
Their round shape together with the helical design of their vanes cause a stable swirl diffusion of the air stream, obtaining a high induction rate and reducing the stratification.

They can be mounted in drywall ceilings or directly on exposed duct.

Neck Diameter	Free Area (sqf)	Min cfm	Max cfm
5" (125 mm)	0.065	32	79
6" (160 mm)	0.097	47	129
8" (200 mm)	0.143	71	159
10" (250 mm)	0.207	103	229
12" (315 mm)	0.413	203	347

Note: if higher cfm is required, use oversized face with PLRR plenum

AXP Dimensions



	Duct Diameter	A	C	E	H
Imperial	5"	7 9/16"	4 27/32"	9 1/16"	2 61/64"
	6"	8 15/16"	6 7/32"	10 5/16"	3 61/64"
	8"	10 5/8"	7 51/64"	12 1/64"	2 61/64"
	10"	12 19/32"	9 49/64"	13 31/32"	2 61/64"
	12"	15 5/64"	12 21/64"	16 29/64"	4 11/32"
Metric	125 mm	192	123	230	75
	160 mm	227	158	262	75
	200 mm	270	198	305	75
	250 mm	320	248	355	75
	315 mm	383	313	418	85

Some Applications



Great for cooling and ventilation



Closed drywall ceilings or open ceilings with exposed spiral duct



Offices and Meeting Rooms



Restaurants, Bars, Hotels, Stores



VAV Applications



Comfort-critical applications



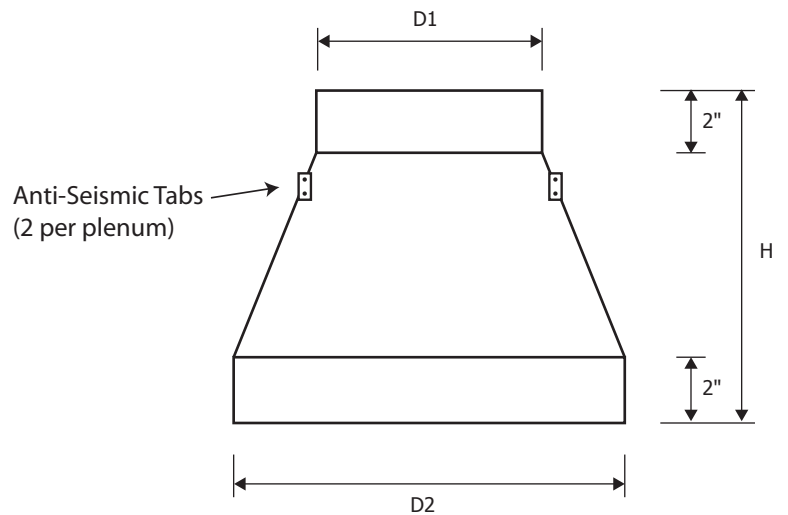
Commercial and Industrial



PLRR Plenum

Optional plenum used to equalize the air (specify with EQ air equalizing grid option), to use an oversized face with a given duct diameter or to add a special damper to AXP diffusers.

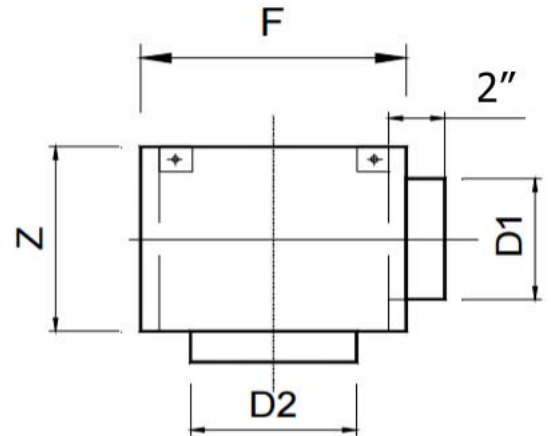
Model	Duct	D1	D2	H
PLRR 0504	4"	3 7/8	5	6
PLRR 0505	5"	4 7/8	5	6
PLRR 0605	5"	4 7/8	6 3/8	6
PLRR 0606	6"	5 7/8	6 3/8	6
PLRR 0805	5"	4 7/8	8	8
PLRR 0806	6"	5 7/8	8	8
PLRR 0808	8"	7 7/8	8	8
PLRR 1006	6"	5 7/8	10	8
PLRR 1008	8"	7 7/8	10	8
PLRR 1010	10"	9 7/8	10	8
PLRR 1208	8"	7 7/8	12 3/8	10
PLRR 1210	10"	9 7/8	12 3/8	10
PLRR 1212	10"	9 7/8	12 3/8	10



PLXP Plenum

Optional plenum with side connection used when space in the ceiling is limited, when acoustical performance is important or to add a special damper to AXP diffusers.

Model	Duct	D1	D2	F	Z
PLXP 05	4"	3 7/8	5	8	6
PLXP 06	5"	4 7/8	6 19/64	10	7
PLXP 08	6"	5 7/8	8	12	10
PLXP 10	8"	7 7/8	10	15	11
PLXP 12	10"	9 7/8	12 13/32	19	14



AXP Performance Data

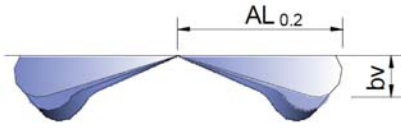
Neck Size	Neck (fpm) Velocity	200	300	400	500	600	700	800
	Velocity Pressure (H2O)	.002	.006	.010	.016	.022	.031	.040
5" (125mm)	CFM	27	41	55	68	82	95	109
	Pressure Loss (in.w.g.)	0.016	0.039	0.075	0.119	0.161	0.241	0.361
	NC	< 15	< 15	18	26	32	37	40
	Throw (ft) - Coanda Effect	3-4-7	4-6-10	5-8-12	6-10-15	7-11-17	8-13-19	9-14-22
	Throw (ft) - No Ceiling Effect	2-3-5	3-5-7	4-6-9	4-7-11	5-8-13	6-10-15	7-11-16
6" (160mm)	CFM	43	65	87	108	130	152	173
	Pressure Loss (in.w.g.)	0.021	0.053	0.099	0.16	0.239	0.335	0.446
	NC	< 15	< 15	18	25	30	35	39
	Throw (ft) - Coanda Effect	3-5-8	5-7-11	6-9-14	7-11-17	8-13-20	9-15-22	10-16-24
	Throw (ft) - No Ceiling Effect	2-4-6	3-6-8	4-7-11	5-8-13	6-10-15	7-11-17	7-12-18
8" (200mm)	CFM	70	105	140	175	209	244	279
	Pressure Loss (in.w.g.)	0.025	0.061	0.114	0.187	0.275	0.386	0.517
	NC	< 15	20	27	33	37	41	45
	Throw (ft) - Coanda Effect	3-6-9	5-8-12	6-10-15	7-12-18	8-14-21	9-16-23	10-17-26
	Throw (ft) - No Ceiling Effect	3-4-7	4-6-9	5-7-11	5-9-13	6-10-15	7-12-17	8-13-19
10" (250mm)	CFM	109	164	218	273	327	382	436
	Pressure Loss (in.w.g.)	0.029	0.071	0.132	0.178	0.32	0.451	0.601
	NC	< 15	22	29	34	39	42	45
	Throw (ft) - Coanda Effect	4-6-9	5-8-13	6-10-16	8-13-19	9-15-22	10-16-25	11-18-27
	Throw (ft) - No Ceiling Effect	3-5-7	4-6-9	5-8-12	6-9-14	7-11-16	7-12-19	8-14-21
12" (315mm)	CFM	168	252	335	419	503	587	671
	Pressure Loss (in.w.g.)	0.031	0.075	0.141	0.229	0.343	0.481	0.645
	NC	< 15	21	29	35	41	45	> 45
	Throw (ft) - Coanda Effect	3-6-8	5-8-12	6-10-15	7-12-17	8-13-20	9-15-23	10-17-25
	Throw (ft) - No Ceiling Effect	3-4-6	3-6-9	4-7-11	5-9-13	6-10-15	7-11-17	8-13-19

Performance Notes

- NC Value based on 10 db room attenuation.
- Throw Values are based on isothermal air and terminal velocities of **100 fpm, 60 fpm and 40 fpm** respectively.

AXP Performance Data (continued)

Delta T Correction Factors		
Δ T (F)	Kh	KI
0	0.040	1
-2	0.046	0.955
-4	0.053	0.92
-6	0.059	0.89
-8	0.065	0.875
-10	0.075	0.855
-12	0.086	0.835
-15	0.1	0.82
-18	0.12	0.815



$bv = kh \times \text{Throw}$

$\text{Throw}'(\Delta T) = KI \times \text{Throw}$

Kh = Correction Factor for Vertical Diffusion
 KI = Throw Correction Factor
 AL_{0.2} = Distance at which velocity reaches 40 fpm

Induction Ratio					
Throw (ft)	5"D 125mm	6"D 160mm	8"D 200mm	10"D 250mm	12"D 315mm
4	8	7	6	5	5
6	14	13	11	10	8
8	21	19	16	14	13
10	28	26	21	18	16
15	47	43	35	32	27
20	71	64	52	47	41
25	92	85	71	64	53
30	125	120	91	81	72

induced room air = supplied cfm * i

induced room air = cfm mixed for given throw

Temperature Difference Ratio					
Throw (ft)	5"D 125mm	6"D 160mm	8"D 200mm	10"D 250mm	12"D 315mm
4	0.045	0.06	0.072	0.088	0.12
6	0.03	0.042	0.045	0.059	0.08
8	0.023	0.032	0.036	0.046	0.064
10	0.019	0.027	0.029	0.038	0.051
15	0.01	0.018	0.022	0.027	0.037
20		0.011	0.017	0.021	0.028
25			0.01	0.018	0.024
30				0.012	0.02

Delta T (Throw) = Delta T (Supply) * Delta T Ratio

Delta T (Supply) = T (Room) - T (Supply)
 Delta T (Throw) = T (Room) - T (Throw)

How to Specify AXP

Supply and mounting of fixed air pattern round swirl diffuser AXP , constructed from aluminium and powder coated in white M9016. By EffectiV HVAC / MADEL.

How to Order AXP Series

AXP	-EQ	08	+ PLRR-EQ 0806			
OPTIONAL PLENUM						
PLRR						
PLXP						
		DIMENSION	Imperial		Metric	
		05	5"D	125	125 mm	
		06	6"D	160	160 mm	
		08	8"D	200	200 mm	
		10	10"D	250	250 mm	
		12	12"D	315	315 mm	
OPTIONS		EQ	Air Equalizing Grid (Perforated Plate)			



BWC
Adjustable Steel Ventilation Valves







BWC SERIES

Steel Adjustable Round Ventilation Valves



BWC-N

-  Ideal for residential applications
-  Rotate core clockwise or counter-clockwise to adjust airflow
-  Higher quality than plastic
-  Comes with gasket to avoid air leaks

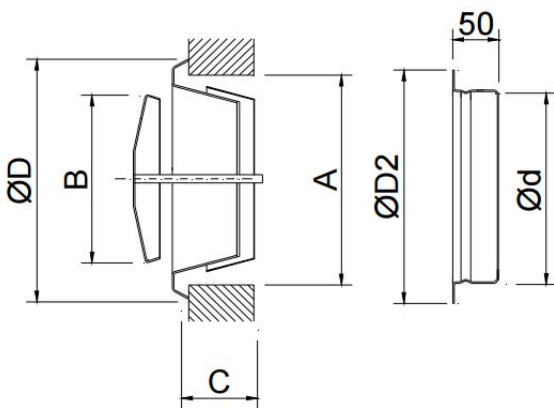
BWC series valves are designed for the air supply or air exhaust in air conditioning, ventilation or heating installations.

Especially suitable for air exhaustion in washrooms and for ventilation installation in houses, apartments, offices, schools and hospitals.

It is mounted in walls or on duct. BWC valves allow for high airflow pass obtaining good results in sound pressure performance. Flow is easily adjusted by turning the central part of the valve.

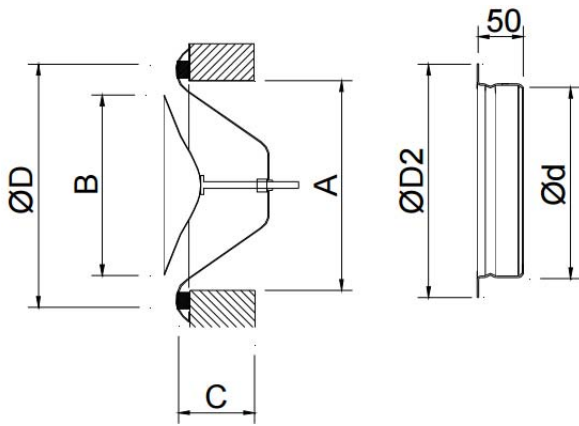
Neck Diameter	BWC-N		BWC-S	
	Min cfm	Max cfm	Min cfm	Max cfm
4" (100 mm)	6	88	29	42
5" (125 mm)	12	129	42	64
6" (150 mm)	12	147	106	138
8" (200 mm)	18	259	169	254

BWC-N Dimensions



Duct Diameter	A	B	C	Ød	ØD2	ØD
4"	4.09"	2.95"	1.57"	3.9"	4.92"	5.39"
5"	5.08"	3.9"	1.81"	4.88"	5.91"	6.46"
6"	6.65"	5.08"	2.13"	5.9"	6.91"	7.75"
8"	8.23"	6.18"	2.48"	7.83"	8.85"	9.76"

BWC-S Dimensions



Duct Diameter	A	B	C	Ød	ØD2	ØD
4"	4.09"	2.95"	1.57"	3.9"	4.8"	5.51"
5"	5.08"	3.9"	1.81"	4.88"	5.83"	6.69"
6"	6.65"	4.69"	2.13"	5.9"	6.91"	7.85"
8"	8.23"	6.18"	2.52"	7.83"	8.85"	10"

How to Specify BWC

Supply and mounting of circular valve with adjustable core for extract or air supply with mounting neck series BWC constructed from galvanised steel and powder coated in white RAL9016, by EffectiV HVAC.

How to Order BWC Series

BWC	-N	04		
			Imperial	Metric
		Neck Diameter	04	4"D / 100 mm
			05	5"D / 125 mm
			06	6"D / 150 mm
			08	8"D / 200 mm
		Model	-N	Supply and Return
			-S	Supply



DCG

Adjustable Aluminum Round Diffusers









EFFECTIVE
HVAC  TM

DCG SERIES

Aluminum Adjustable Round Diffusers



DCG
by **MADEL®**

-  Adjust core up and down to move from horizontal to vertical airflow
-  Architecturally appealing lines and finish
-  Choice of manual adjustment, thermodynamic or actuator controlled
-  Ideal for heating and cooling applications with high ceilings
-  Heavy-gauge spun aluminum construction
-  Large cone profile allows for real vertical flow
-  Duct mounted or drywall mounted
-  Available in imperial and metric dimensions

Neck Diameter	Free Area (sqf)	Min cfm	Max cfm
6" (160 mm)	0.215	125	240
8" (200 mm)	0.338	200	390
10" (250 mm)	0.527	310	470
12" (315 mm)	0.839	490	950
14" (355 mm)	1.035	610	1280
16" (400 mm)	1.345	795	1610
18" (450 mm)	1.711	920	1560
20" (500 mm)	2.110	1110	1860

DCG Aluminum Adjustable Round Diffusers by EffectiV HVAC™ and MADEL® are recommended for heating, ventilating, and cooling applications. DCG diffusers provide a 360° air diffusion pattern and excellent performance in VAV systems.

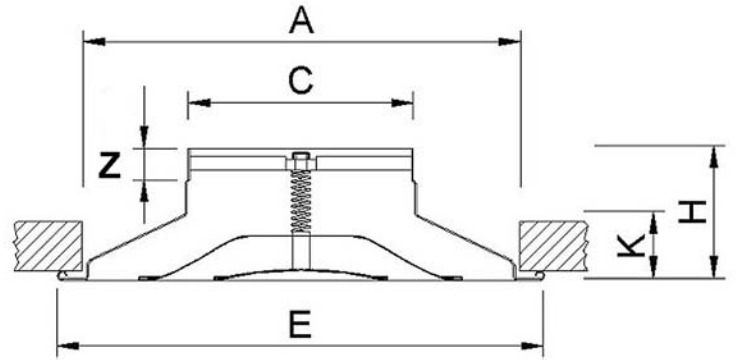
Full adjustability is possible by rotating the inner core clockwise or counter-clockwise to move the cones up or down, changing from horizontal projection to vertical projection in accordance with the supply air temperature. DCG diffusers provide great performance in temperature differentials up to 22°F (12°C) and are suitable for premises with ceilings 8.5 ft (2.6 m) and higher.

Available with manual or automatic adjustment of the airflow for optimized comfort in heating and air conditioning.

Original design by Lievore, Altherr & Molina for Madel.










DCG Dimensions



	Duct Diameter	A	C	E	H	K	Z
Imperial	6"	11 59/64	5 3/4	13 5/16	4 15/16	1 47/64	1
	8"	15 5/32	7 3/4	16 47/64	4 17/32	2 9/32	1
	10"	18 17/64	9 3/4	19 3/8	4 31/64	2 1/4	1
	12"	22 13/64	11 3/4	23 17/64	6 19/32	3 5/32	1
	14"	24 13/16	13 29/32	26 1/16	5 33/64	3 17/64	1
	16"	24 13/16	15 19/32	26 1/16	5 5/32	2 59/64	1
	18"	31 5/32	17 19/32	32 3/4	6 13/16	4 11/64	1
	20"	31 5/32	19 9/16	32 3/4	6 27/64	3 13/16	1
Metric	160 mm	303	157	331	101	44	25
	200 mm	385	197	425	115	58	25
	250 mm	464	247	492	114	57	25
	315 mm	564	313	591	137	80	25
	355 mm	630	353	662	140	83	25
	400 mm	630	398	662	131	74	25
	450 mm	793	447	832	173	106	25
	500 mm	793	497	832	163	97	25

Some Applications

-  Seasonal heating and/or cooling
-  Open ceilings/exposed ducts
-  High ceilings
-  Restaurants, Bars, Hotels
-  Movie Theaters, Stores, Offices, Car Dealers
-  Entrance halls (vertical blast)
-  Indoor Pools and corrosion-sensitive applications



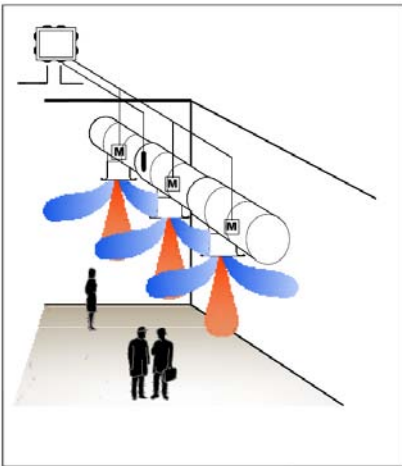
Available Adjustment Mechanisms

DCG

Manually adjustable by rotating the inner core clockwise or counter-clockwise to move the cones up or down

DCG-ACTIF

Adjustable cone diffuser that is autonomously thermally adjustable by means of a thermodynamic spring. Designed to be used in premises with varying heights in excess of 13 feet (4 m) and with temperature differentials of up to 22°F (12°C).

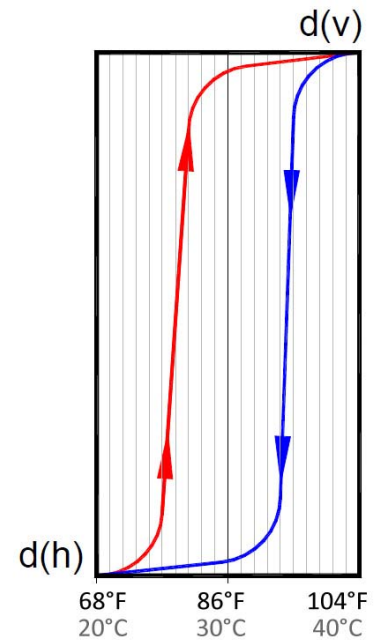
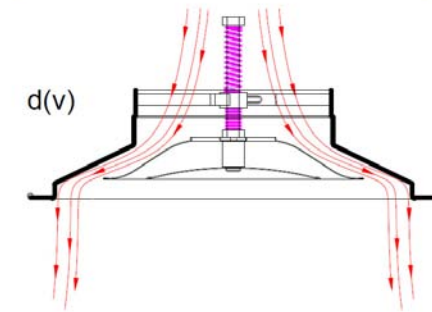
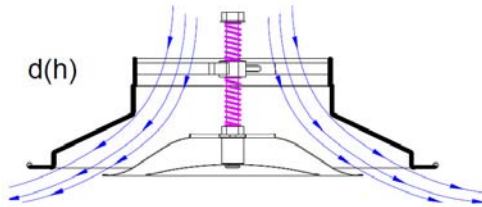


DCG-M150-L

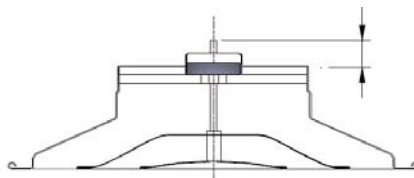
Regulable diffuser by means of an On/Off servomotor.

Energy Efficiency Product

actif



15 minutes adjustment time from d(h) to d(v)



DCG Performance Data

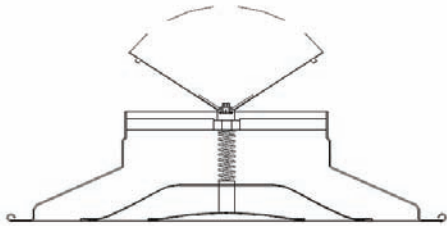
Neck Size	Neck (fpm) Velocity	400	500	600	700	800	1000	1200	1400	1600
	Velocity Pressure (H2O)	.010	.016	.022	.031	.041	.062	.090	.122	.160
6" (160mm)	CFM	81	101	122	142	162	203	244	284	325
	Pressure Loss (in.w.g.)	0.026	0.044	0.057	0.076	0.098	0.152	0.152	0.289	0.374
	NC	< 15	< 15	15	19	22	28	33	37	40
	Throw (ft) - Coanda Effect	2-3-4	2-4-6	3-5-7	3-6-8	4-7-10	5-9-13	6-11-16	8-13-19	9-15-23
	Throw (ft) - No Ceiling Effect	1-2-3	2-3-4	2-4-5	3-4-6	3-5-7	4-6-10	5-8-12	6-10-15	7-11-17
8" (200mm)	CFM	140	175	209	244	279	349	419	489	559
	Pressure Loss (in.w.g.)	0.026	0.04	0.057	0.078	0.101	0.158	0.158	0.311	0.407
	NC	< 15	19	24	28	31	37	> 40	> 40	> 40
	Throw (ft) - Coanda Effect	2-3-5	2-4-6	3-5-7	4-6-9	4-7-10	5-9-13	7-11-17	8-13-20	9-16-23
	Throw (ft) - No Ceiling Effect	1-2-4	2-3-5	2-4-6	3-4-7	3-5-8	4-7-10	5-8-13	6-10-15	7-12-17
10" (250mm)	CFM	218	273	327	382	436	545	654	764	873
	Pressure Loss (in.w.g.)	0.046	0.072	0.103	0.141	0.183	0.287	0.287	0.565	0.736
	NC	< 15	< 15	21	26	31	39	> 40	> 40	> 40
	Throw (ft) - Coanda Effect	3-5-8	4-7-10	5-8-12	6-10-14	7-11-17	8-14-21	10-17-26	12-20-30	14-23-35
	Throw (ft) - No Ceiling Effect	2-4-6	3-5-8	4-6-9	4-7-11	5-8-12	6-11-16	8-13-19	9-15-23	11-18-26
12" (315mm)	CFM	335	419	503	587	671	839	1006	1174	
	Pressure Loss (in.w.g.)	0.048	0.076	0.11	0.152	0.201	0.319	0.319	0.638	
	NC	< 15	17	23	29	34	> 40	> 40	> 40	
	Throw (ft) - Coanda Effect	4-7-10	5-8-12	5-9-14	6-10-15	7-11-17	8-13-20	9-15-22	10-17-25	
	Throw (ft) - No Ceiling Effect	3-5-8	4-6-9	4-7-10	5-8-11	5-8-13	6-10-15	7-11-17	8-13-19	
14" (355mm)	CFM	428	535	641	748	855	1069	1283	1497	
	Pressure Loss (in.w.g.)	0.036	0.056	0.08	0.11	0.143	0.225	0.225	0.442	
	NC	< 15	16	22	27	31	38	> 40	> 40	
	Throw (ft) - Coanda Effect	4-8-11	5-9-13	6-10-15	7-11-17	7-12-18	9-14-22	10-16-25	11-18-27	
	Throw (ft) - No Ceiling Effect	3-6-8	4-7-10	4-7-11	5-8-13	6-9-14	6-11-16	7-12-18	8-14-21	
16" (400mm)	CFM	559	698	838	977	1117	1396	1676	1955	
	Pressure Loss (in.w.g.)	0.045	0.066	0.091	0.118	0.149	0.219	0.219	0.392	
	NC	< 15	21	26	31	35	> 40	> 40	> 40	
	Throw (ft) - Coanda Effect	5-8-12	5-9-13	6-10-15	6-11-16	7-12-17	8-13-20	9-15-22	10-16-24	
	Throw (ft) - No Ceiling Effect	4-6-9	4-7-10	4-7-11	5-8-12	5-9-13	6-10-15	7-11-16	7-12-18	
18" (450mm)	CFM	707	884	1060	1237	1414	1767	2121	2474	
	Pressure Loss (in.w.g.)	0.049	0.08	0.12	0.169	0.227	0.371	0.371	0.781	
	NC	21	28	33	38	> 40	> 40	> 40	> 40	
	Throw (ft) - Coanda Effect	5-9-13	6-10-15	7-11-17	7-12-19	8-14-20	9-16-23	10-18-26	12-19-29	
	Throw (ft) - No Ceiling Effect	4-6-10	4-7-11	5-8-13	6-9-14	6-10-15	7-12-18	8-13-20	9-15-22	
20" (500mm)	CFM	873	1091	1309	1527	1745	2182	2618	3054	
	Pressure Loss (in.w.g.)	0.037	0.056	0.079	0.106	0.136	0.209	0.209	0.392	
	NC	25	30	33	36	39	> 40	> 40	> 40	
	Throw (ft) - Coanda Effect	5-9-13	6-10-15	7-12-17	8-13-20	9-14-21	10-17-25	11-19-29	13-21-32	
	Throw (ft) - No Ceiling Effect	4-7-10	5-8-11	5-9-13	6-10-15	6-11-16	8-13-19	9-14-22	10-16-24	

Performance Notes


- NC value based on 10 db room attenuation
- Horizontal Throw values are based on isothermal air and terminal velocities of **100 fpm, 60 fpm and 40 fpm** respectively

DCG-R3G Pressure Loss & Sound Power Level Correction


Damper Correction Factor		d(h)		d(v)	
		100% Open	50% Open	100% Open	50% Open
6"D (160mm)	Pressure Loss	x 1.2	x 4.7	x 1.2	x 4.7
	NC	+1.4	+16	+1.4	+16
8"D (200mm)	Pressure Loss	x 1.1	x 3.6	x 1.1	x 3.6
	NC	+1.3	+16	+0.8	+15
10"D (250mm)	Pressure Loss	x 1.1	x 3.7	x 1.1	x 3.7
	NC	+3.4	+19	+3.8	+20
12"D (315mm)	Pressure Loss	x 1.5	x 6.5	x 1.5	x 6.5
	NC	+1.3	+16	+0.6	+15
14"D (350mm)	Pressure Loss	x 1.2	x 8	x 1.2	x 8
	NC	+2.2	+11	+1.6	+10
16"D (400mm)	Pressure Loss	x 1.1	x 3.4	x 1.1	x 3.4
	NC	+2.2	+17	+1.6	+16
18"D (450mm)	Pressure Loss	x 1.2	x 7.1	x 1.2	x 7.1
	NC	+3.2	+17	+3.5	+17
20"D (500mm)	Pressure Loss	x 1.2	x 5.8	x 1.2	x 5.8
	NC	+2.2	+18	+1.5	+18



DCG-R3G
Integrated Butterfly Volume Damper
(N/A for Imperial 6" and 12")



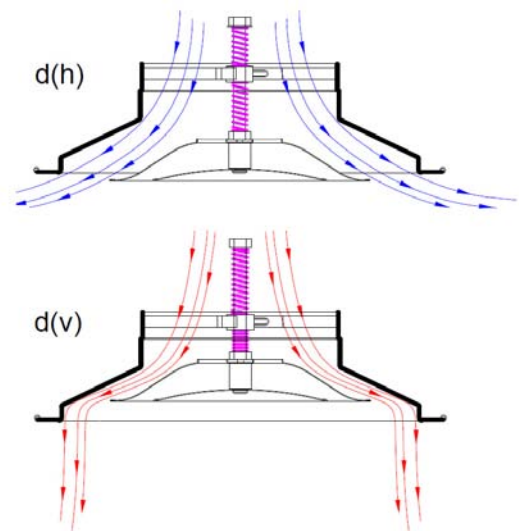
OBD
Opposed Blade Damper



RSBD
Radial Sliding Blade Damper

(only for Imperial 6" and 12")

Downward Projection of Heated Air & Vertical Adjustment of Core



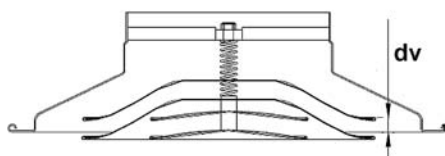
Downward Projection of Heated Air & Vertical Adjustment of Core

Neck Size	Neck (fpm) Velocity	400	500	600	700	800	1000	1200	1400	1600
	Velocity Pressure (H2O)	.010	.016	.022	.031	.041	.062	.090	.122	.160
6" (160mm)	CFM	81	101	122	142	162	203	244	284	325
	dv = 13/64" (5 mm)	5-2-2	7-3-2	9-4-3	10-5-4	12-6-4	16-8-6	20-10-7	24-12-9	29-14-10
	dv = 5/16" (8 mm)	8-4-3	10-5-4	13-6-5	16-7-6	18-9-7	24-12-9	30-15-11	37-18-14	43-21-16
	dv = 19/32" (15 mm)	11-5-4	14-7-5	18-9-6	22-10-8	26-12-9	34-16-12	43-20-15	51-25-19	61-29-22
8" (200mm)	CFM	140	175	209	244	279	349	419	489	559
	dv = 5/16" (8 mm)	10-6-5	11-7-6	13-8-6	14-9-7	15-10-8	18-11-9	20-13-10	22-14-11	24-15-12
	dv = 25/64" (10 mm)	12-8-6	14-9-7	15-10-8	17-11-8	19-12-9	22-14-11	25-16-12	27-17-14	30-19-15
	dv = 29/32" (23 mm)	16-10-8	18-12-9	21-13-10	23-15-11	25-16-12	29-19-14	33-21-16	36-23-18	40-25-20
10" (250mm)	CFM	218	273	327	382	436	545	654	764	873
	dv = 13/64" (5 mm)	11-5-5	3-7-6	15-8-6	17-9-7	19-10-8	23-12-10	27-13-11	30-15-13	34-17-14
	dv = 25/64" (10 mm)	16-8-6	19-9-8	22-11-9	25-12-10	27-14-11	33-16-14	38-19-16	43-22-18	48-24-20
	dv = 45/64" (18 mm)	19-10-8	23-12-10	27-14-11	31-15-13	34-17-14	41-21-17	48-24-20	54-27-23	60-30-25
12" (315mm)	CFM	335	419	503	587	671	839	1006	1174	
	dv = 33/64" (13 mm)	12-7-5	15-9-7	18-11-8	22-13-10	25-15-11	32-19-14	39-24-17	46-28-20	
	dv = 25/32" (20 mm)	16-10-7	20-12-9	25-15-11	29-18-13	34-21-15	43-26-19	53-32-23	62-38-27	
	dv = 1 1/16" (27 mm)	22-13-10	28-17-12	34-21-15	40-24-18	46-28-20	59-36-26	72-44-32	85-52-37	
14" (355mm)	CFM	428	535	641	748	855	1069	1283	1497	
	dv = 25/64" (10 mm)	7-6-4	9-7-6	12-9-7	14-11-9	17-13-10	22-17-13	27-22-17	33-26-20	
	dv = 19/32" (15 mm)	12-9-7	15-12-9	19-15-12	23-18-14	27-21-16	35-28-22	44-35-27	53-42-33	
	dv = 29/32" (23 mm)	18-14-11	23-19-14	29-23-18	35-28-22	41-33-25	54-43-33	68-54-42	82-65-50	
16" (400mm)	CFM	559	698	838	977	1117	1396	1676	1955	2234
	dv = 13/64" (5 mm)	13-9-7	16-11-9	19-13-10	21-15-12	24-17-13	29-20-16	34-24-19	39-27-22	44-31-25
	dv = 5/16" (8 mm)	18-13-10	22-15-12	26-18-15	30-21-17	34-23-19	41-28-23	48-33-27	55-38-31	62-43-34
	dv = 35/64" (14 mm)	24-17-14	30-20-16	35-24-19	40-27-22	45-31-25	54-37-30	63-44-35	73-50-40	82-56-46
18" (450mm)	CFM	707	884	1060	1237	1414	1767	2121	2474	
	dv = 45/64" (18 mm)	17-10-8	20-12-10	23-14-11	26-16-12	28-17-14	33-20-16	38-23-18	42-26-20	
	dv = 63/64" (25 mm)	23-14-11	27-16-13	31-19-15	34-21-16	38-23-18	45-27-21	51-31-24	57-34-27	
	dv = 1 3/8" (35 mm)	28-17-14	33-20-16	38-23-18	42-26-20	47-28-22	55-33-26	63-38-30	70-42-33	
20" (500mm)	CFM	873	1091	1309	1527	1745	2182	2618	3054	
	dv = 45/64" (18 mm)	13-8-7	15-9-8	18-11-9	20-12-10	22-14-11	26-16-14	31-19-16	35-21-18	
	dv = 63/64" (25 mm)	16-10-8	19-12-10	22-14-11	25-15-13	28-17-14	33-21-17	39-24-20	44-27-22	
	dv = 1 3/8" (35 mm)	23-14-12	27-17-14	31-19-16	35-22-18	39-24-20	47-29-24	54-34-28	62-38-32	

Performance Notes

- Vertical throw values (in ft) are respectively for **isothermal** and temperature differences of **9°F (5°C)** and **18°F (10°C)** in heating mode, all at **terminal velocity of 40 fpm**.

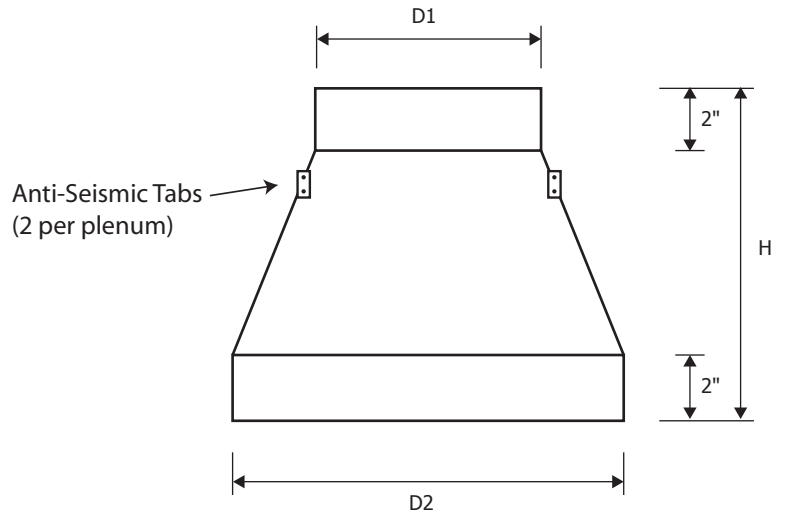
- dv is the vertical adjustment of the diffuser core and is measured by the core offset towards the inside of the diffuser, compared to its original horizontal position.



PLRR Plenum

Optional plenum used to equalize the air (specify with EQ air equalizing grid option), to use an oversized face with a given duct diameter, or to add a special damper to DCG diffusers.

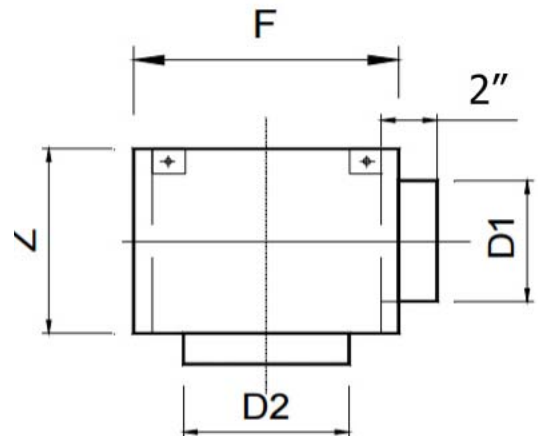
Model	Duct	D1	D2	H
PLRR 0504	4"	3 7/8	5	6
PLRR 0505	5"	4 7/8	5	6
PLRR 0605	5"	4 7/8	6 3/8	6
PLRR 0606	6"	5 7/8	6 3/8	6
PLRR 0805	5"	4 7/8	8	8
PLRR 0806	6"	5 7/8	8	8
PLRR 0808	8"	7 7/8	8	8
PLRR 1006	6"	5 7/8	10	8
PLRR 1008	8"	7 7/8	10	8
PLRR 1010	10"	9 7/8	10	8
PLRR 1208	8"	7 7/8	12 3/8	10
PLRR 1210	10"	9 7/8	12 3/8	10
PLRR 1212	10"	9 7/8	12 3/8	10



PLXP Plenum

Optional plenum with side connection used when space in the ceiling is limited, when acoustical performance is important or to add a special damper to DCG diffusers.

Model	Duct	D1	D2	F	Z
PLXP 05	4"	3 7/8	5	8	6
PLXP 06	5"	4 7/8	6 19/64	10	7
PLXP 08	6"	5 7/8	8	12	10
PLXP 10	8"	7 7/8	10	15	11
PLXP 12	10"	9 7/8	12 13/32	19	14



How to Specify DCG

Supply and mounting of model DCG round diffuser with adjustable core which can be rotated up or down to supply air in a vertical or horizontal flow. Constructed from spun aluminum, powder coated in white M9016. By EffectiV HVAC / MADEL.

How to Specify DCG-ACTIF

Supply and mounting of model DCG-ACTIF adjustable round diffuser. Autonomously thermally adjustable by means of a thermodynamic spring. Constructed from spun aluminum, powder coated in white M9016. By EffectiV HVAC / MADEL.

How to Specify DCG-M150-L

Supply and mounting of model DCG-M150-L adjustable round diffuser. Adjustable by means of an On/Off servomotor. Constructed from spun aluminum, powder coated in white M9016. By EffectiV HVAC / MADEL.

How to Order DCG Series

DCG	-R3G	08		
			Imperial	Metric
			06	6"D 160 mm
			08	8"D 200 mm
			10	10"D 250 mm
			12	12"D 315 mm
		Neck Diameter	14	14"D 350 mm
			16	16"D 400 mm
			18	18"D 450 mm
			20	20"D 500 mm
			R3G	Butterfly Damper
			OBD	Opposed Blade Damper
			RSBD	Radial Sliding Blade Damper
	Damper		DCG	Manual adjustment
			DCG-ACTIF	Automatic thermal adjustment
			DCG-M150-L	Regulable with a On/Off servomotor
Model				









DSO

Aluminum Round Plaque Diffusers



DSO SERIES Aluminum Round Plaque Diffusers

-  Architecturally appealing lines and finish
-  Removable central disc facilitates installation and maintenance
-  Heavy-gauge spun aluminum construction
-  Duct mounted or drywal
-  Ideal for heating and cooling applications
-  Available in imperial and metric dimensions



DSO
by **MADEL®**

Neck Diameter	Free Area (sqf)	Min cfm	Max cfm
6" (160 mm)	0.215	106	212
8" (200 mm)	0.338	166	332
10" (250 mm)	0.527	259	519
12" (315 mm)	0.839	412	823

DSO Aluminum Round Plaque Diffusers by EffectiV HVAC™ and MADEL® are recommended for heating, ventilating, and cooling applications. DSO diffusers provide a 360° air diffusion pattern and excellent performance in VAV systems.

They can be mounted in false ceilings, suspended from ductwork or from the ceiling.

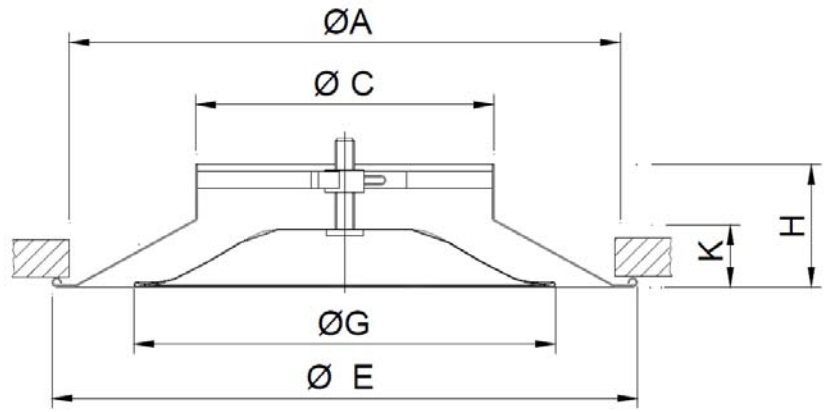
The removable central disc greatly facilitates installation and maintenance.

DSO diffusers provide great performance in temperature differentials up to 22°F (12°C) and are suitable for premises with ceilings 8.5 ft (2.6 m) up to 13 ft (4 m).

DSO Plaque diffusers meet the functional requirements of modern architecture. Its minimalist design fits perfectly in any kind of interior design.

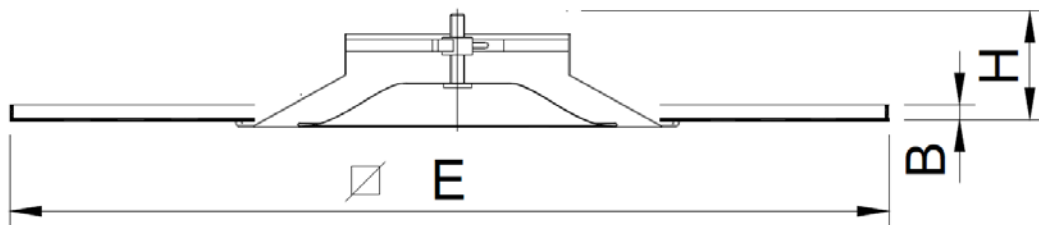


DSO Dimensions










	Duct Diameter	A	C	E	H	K
Imperial	6"	11 13/16	5 3/4	12 51/64	4 15/16	1 47/64
	8"	15 43/54	7 3/4	16 47/64	4 17/32	2 9/32
	10"	19 11/64	9 3/4	20 5/64	5 3/64	2 53/64
	12"	21 31/32	11 3/4	22 41/64	6 19/32	3 5/32
Metric	160 mm	300	157	325	101	44
	200 mm	398	197	425	115	58
	250 mm	487	248	510	128	72
	315 mm	550	313	575	137	80

DSO-MOD Dimensions



	Duct Diameter	B	E	H
Imperial	6"	15/32	23 3/4 x 23 3/4	4 15/16
	8"	15/32	23 3/4 x 23 3/4	4 17/32
	10"	15/32	23 3/4 x 23 3/4	5 3/64
	12"	15/32	23 3/4 x 23 3/4	6 19/32

Some Applications

-  Modern architecture
-  Minimalist design
-  Open ceilings/exposed ducts
-  Restaurants, Bars, Hotels, Retail
-  Office spaces
-  Showrooms
-  Indoor Pools and corrosion-sensitive applications



DSO Performance Data

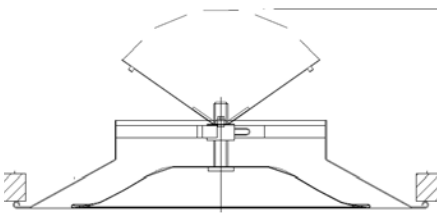
Neck Size	Neck (fpm) Velocity	300	400	500	600	700	800	1000	1200	1400
	Velocity Pressure (H2O)	.010	.010	.016	.022	.031	.041	.062	.090	.122
6" (160mm)	CFM	59	79	98	118	137	157	196	236	275
	Pressure Loss (in.w.g.)	0.017	0.027	0.04	0.055	0.071	0.09	0.132	0.182	0.237
	NC	< 15	< 15	< 15	< 20	< 20	< 25	< 30	< 35	> 40
	Throw (ft) - Coanda Effect	1-2-3	2-3-4	2-4-5	3-4-7	3-5-8	4-6-9	4-7-11	5-9-13	6-10-15
	Throw (ft) - No Ceiling Effect	1-2-2	1-2-3	2-3-4	2-3-5	2-4-6	3-4-7	3-5-8	4-7-10	5-8-12
8" (200mm)	CFM	105	140	175	209	244	279	349	419	
	Pressure Loss (in.w.g.)	0.02	0.033	0.048	0.065	0.086	0.108	0.159	0.217	
	NC	< 15	< 15	< 15	< 20	< 25	< 25	< 35	> 40	
	Throw (ft) - Coanda Effect	2-3-4	2-4-6	3-5-7	3-5-8	4-6-10	4-7-11	6-9-14	7-11-17	
	Throw (ft) - No Ceiling Effect	1-2-3	2-3-4	2-3-5	2-4-6	3-5-7	3-5-8	4-7-10	5-8-12	
10" (250mm)	CFM	164	218	273	327	382	436	545	654	
	Pressure Loss (in.w.g.)	0.031	0.05	0.074	0.101	0.133	0.166	0.245	0.335	
	NC	< 15	< 15	< 15	< 20	< 25	< 25	< 35	> 40	
	Throw (ft) - Coanda Effect	2-3-5	2-4-6	3-5-8	4-6-9	4-7-11	5-8-12	6-10-15	7-12-18	
	Throw (ft) - No Ceiling Effect	1-2-3	2-3-5	2-4-6	3-5-7	3-5-8	4-6-9	5-8-11	5-9-14	
12" (315mm)	CFM	236	314	393	471	550	628	785	942	1100
	Pressure Loss (in.w.g.)	0.03	0.05	0.073	0.1	0.13	0.164	0.241	0.329	0.43
	NC	< 15	< 15	< 15	< 20	< 25	< 25	< 30	> 40	> 40
	Throw (ft) - Coanda Effect	2-3-5	3-4-7	3-6-8	4-7-10	5-8-12	5-9-13	7-11-17	8-13-20	9-15-23
	Throw (ft) - No Ceiling Effect	2-2-4	2-3-5	3-4-6	3-5-8	3-6-9	4-7-10	5-8-13	6-10-15	7-12-17

Performance Notes

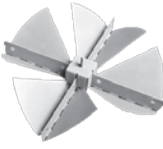
- NC value based on 10 db room attenuation
- Horizontal Throw values are based on isothermal air and terminal velocities of **100 fpm, 60 fpm and 40 fpm** respectively

DSO-R3G Pressure Loss & Sound Power Level Correction


Damper Correction Factor		100% Open	50% Open
6"D (160mm)	Pressure Loss	x 1.3	x 5.4
	NC	+1.6	+10.4
8"D (200mm)	Pressure Loss	x 1.2	x 5.5
	NC	+0.6	+11.7
10"D (250mm)	Pressure Loss	x 1.3	x 5.8
	NC	+0.2	+10.3
12"D (315mm)	Pressure Loss	x 1.3	x 5.5
	NC	-0.8	+6.2



DSO-R3G
Integrated Butterfly Volume Damper
(N/A for Imperial 6" and 12")



OBD
Opposed Blade Damper



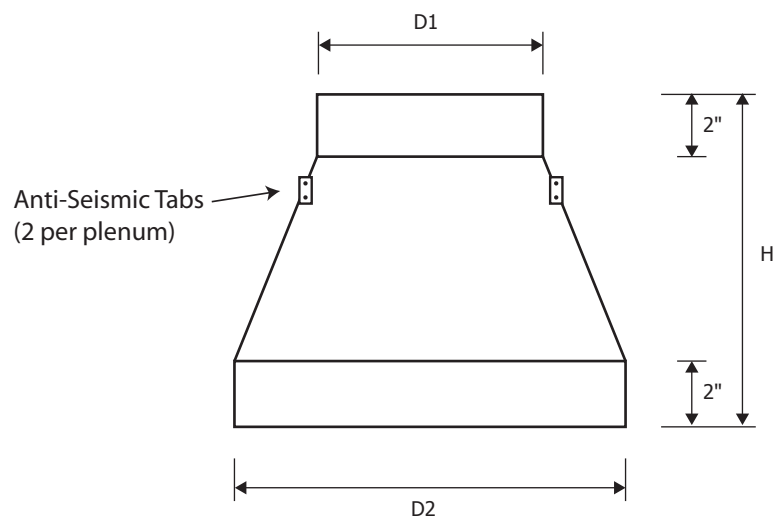
RSBD
Radial Sliding Blade Damper

(only for Imperial 6" and 12")

PLRR Plenum

Optional plenum used to equalize the air (specify with EQ air equalizing grid option), to use an oversized face with a given duct diameter, or to add a special damper to DCG diffusers.

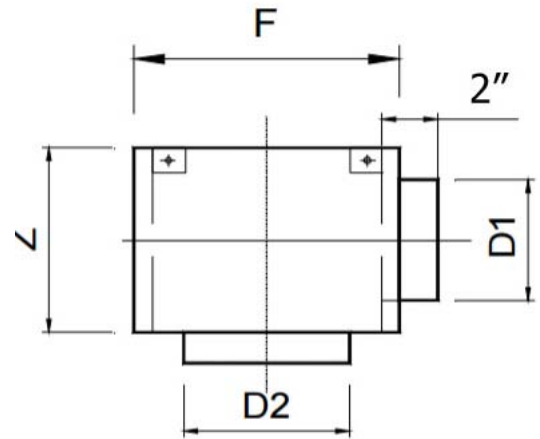
Model	Duct	D1	D2	H
PLRR 0605	5"	4 7/8	6 3/8	6
PLRR 0606	6"	5 7/8	6 3/8	6
PLRR 0805	5"	4 7/8	8	8
PLRR 0806	6"	5 7/8	8	8
PLRR 0808	8"	7 7/8	8	8
PLRR 1006	6"	5 7/8	10	8
PLRR 1008	8"	7 7/8	10	8
PLRR 1010	10"	9 7/8	10	8
PLRR 1208	8"	7 7/8	12 3/8	10
PLRR 1210	10"	9 7/8	12 3/8	10
PLRR 1212	10"	9 7/8	12 3/8	10



PLXP Plenum

Optional plenum with side connection used when space in the ceiling is limited, when acoustical performance is important or to add a special damper to DCG diffusers.

Model	Duct	D1	D2	F	Z
PLXP 06	5"	4 7/8	6 19/64	10	7
PLXP 08	6"	5 7/8	8	12	10
PLXP 10	8"	7 7/8	10	15	11
PLXP 12	10"	9 7/8	12 13/32	19	14



How to Specify DSO

Supply and mounting of model DSO Aluminum Round Plaque Diffuser with removable core for easier installation and maintenance. Constructed from spun aluminum, powder coated in white M9016. By Effectiv HVAC / MADEL.

How to Order DSO Series

DSO -R3G 08 Neck Diameter Damper	Imperial	Metric
	06 6"D	160 160 mm
	08 8"D	200 200 mm
	10 10"D	250 250 mm
	12 12"D	315 315 mm
Model	R3G Butterfly Damper	
	OBD Opposed Blade Damper	
	RSBD Radial Sliding Blade Damper	
	DSO Round diffuser	
	DSO-MOD Square face for false ceiling	











KAM

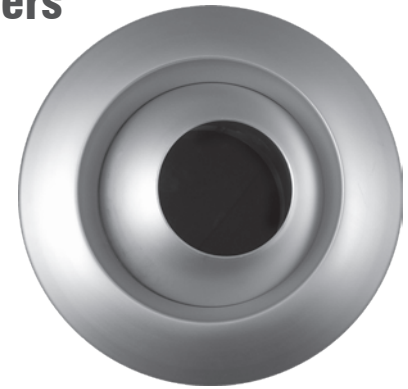
Aluminum Adjustable Long Throw Nozzle Jet Diffusers

EFFECTIVE
HVAC  TM

KAM SERIES

Aluminum Adjustable Long Throw Nozzle Jet Diffusers

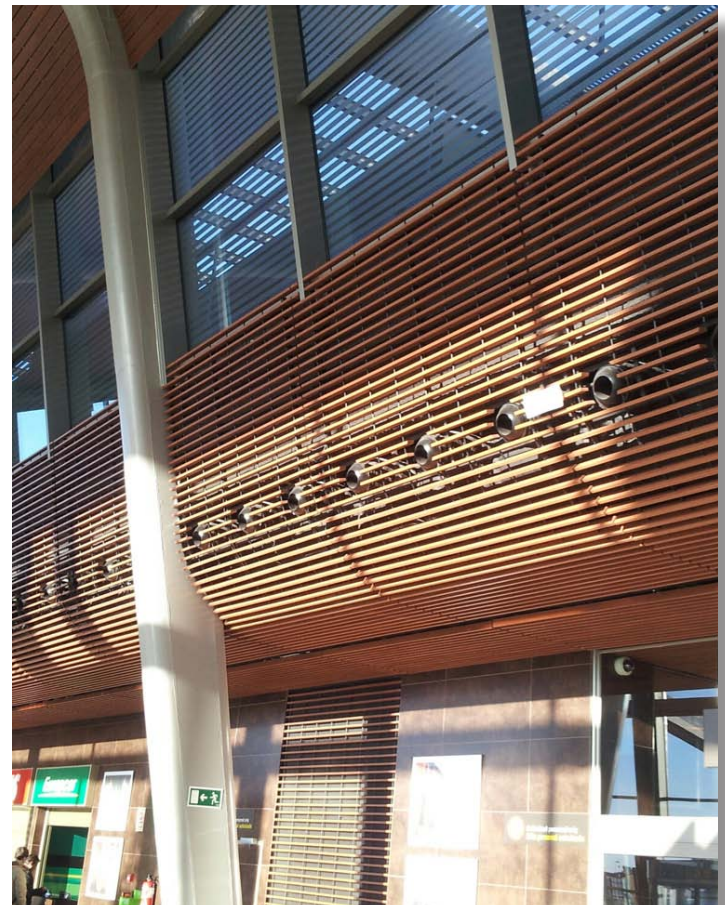
-  Adjust core to redirect the air jet
-  Long throw ideal for large rooms or very high ceilings
-  Manual adjustment, thermodynamic or actuator controlled
-  Architecturally appealing lines and finish
-  Heavy-gauge spun aluminum construction
-  Duct mounted or drywall mounted with invisible screws
-  Ideal for heating and cooling applications
-  Available in metric standard dimensions



KAM-W
by MADEL®

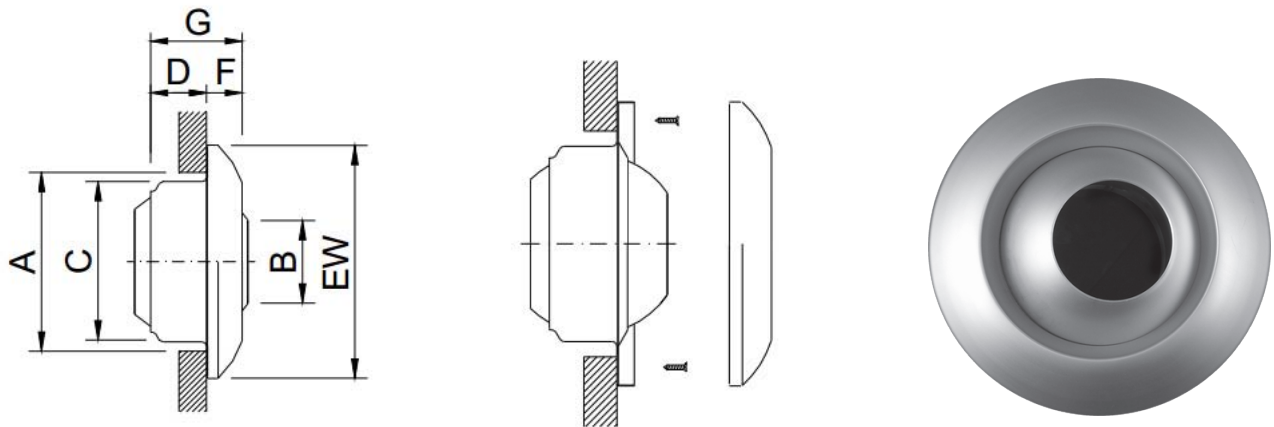
The KAM Series jet nozzle diffusers by EffectiV HVAC™ and MADEL® have been designed specifically to provide air diffusion into large spaces. They can achieve a very long throw for both heating and cooling whilst given flexibility in direction.

The design is the result of a collaboration of MADEL® and Benedito Design with the goal to provide a diffuser that encompasses smooth modern aesthetic lines appealing to the architectural market while providing a unique performance for specific applications.



List Imperial	List Metric	Actual Neck Diameter	Free Area (sqf)	Min cfm	Max cfm
05	125	4.85" (123 mm)	0.132	16	129
06	160	6.22" (158 mm)	0.216	26	179
08	200	7.8" (198 mm)	0.338	54	303
10	250	9.76" (248 mm)	0.529	100	465
12	315	12.32" (313 mm)	0.839	191	665
16	400	15.67" (400 mm)	1.345	294	897

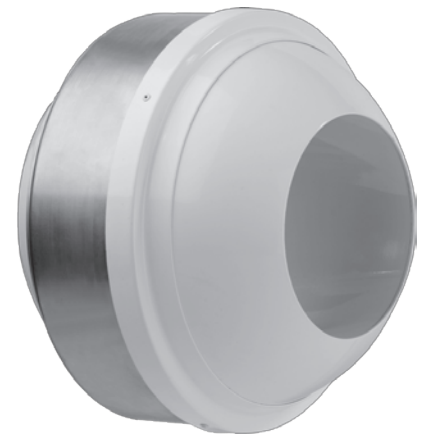
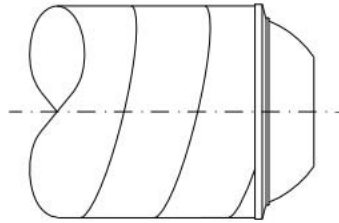
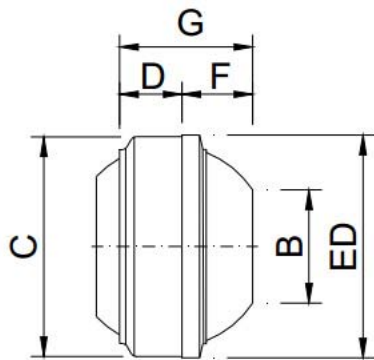
KAM-W - Surface Mounted



Model	Duct Size	B	C	D	EW	F	G
KAM-W 05	5"D	2 13/32"	4 27/32"	2 11/64"	7 1/8"	1 1/16"	3 11/32"
KAM-W 06	6"D	3 5/32"	6 7/32"	2 11/64"	9 3/32"	1 11/32"	3 5/8"
KAM-W 08	8"D	4 1/64"	7 51/64"	2 29/32"	11 3/8"	1 37/64"	4 51/64"
KAM-W 10	10"D	5 1/8"	9 49/64"	3 57/64"	14 9/64"	1 57/64"	6 7/32"
KAM-W 12	12.5"D	6 17/32"	12 21/64"	4 61/64"	17 53/64"	2 1/4"	7 23/32"
KAM-W 16	16"D	8 11/32"	15 43/64"	6 3/8"	22 41/64"	2 61/64"	10 9/32"



KAM-D - Duct Mounted



Model	Duct Size	B	C	D	ED	F	G
KAM-D 05	5"D	2 13/32"	4 27/32"	2 11/64"	4 61/64"	1 1/16"	3 11/32"
KAM-D 06	6"D	3 5/32"	6 7/32"	2 11/64"	6 3/8"	1 11/32"	3 5/8"
KAM-D 08	8"D	4 1/64"	7 51/64"	2 29/32"	7 63/64"	1 37/64"	4 51/64"
KAM-D 10	10"D	5 1/8"	9 49/64"	3 57/64"	9 61/64"	1 57/64"	6 7/32"
KAM-D 12	12.5"D	6 17/32"	12 21/64"	4 61/64"	12 19/32"	2 1/4"	7 23/32"
KAM-D 16	16"D	8 11/32"	15 43/64"	6 3/8"	15 29/32"	2 61/64"	10 9/32"



Some Applications



High ceilings and/or very large spaces



Seasonal heating and/or cooling



When precise, directional jets are required



Restaurants, Bars, Reception Halls, Car Dealers, Showrooms, Indoor Pools, Movie Theaters, Stores, Hotels, Casinos



Entrance halls (vertical blast)



Corrosion-sensitive applications



Available Adjustment Mechanisms

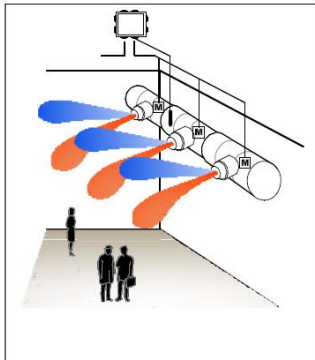
KAM

Manually adjustable.

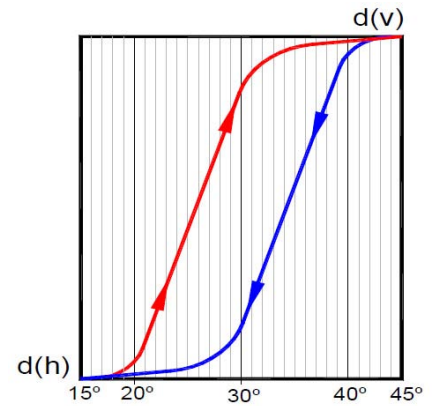
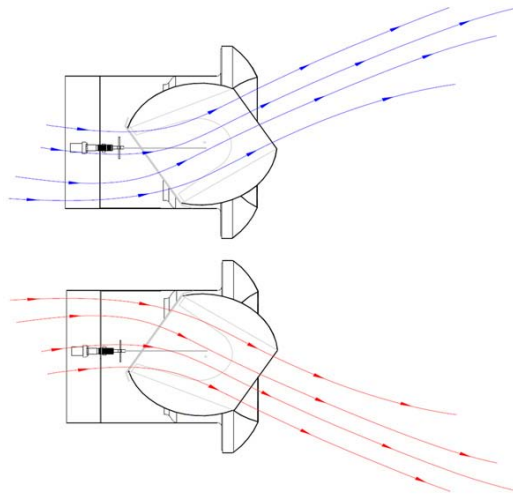
KAM-ACTIF

Jet nozzle diffuser that is autonomously thermally adjustable by means of a thermodynamic piston. The supply air angle of the air jet varies in accordance with the supply air temperature, to significantly reduce stratification and improve comfort and efficiency.

actif



Energy Efficiency Product

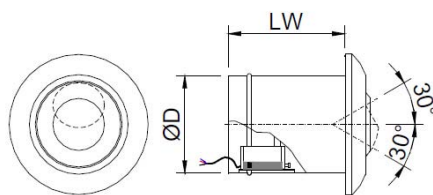


30 minutes adjustment time from d(h) to d(v)

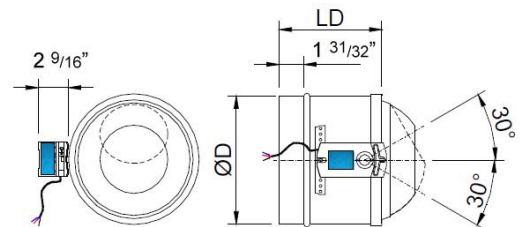
KAM-M5

Regulable diffuser by means of an On/Off servomotor.

Duct Diameter	LW	LD
10"D	5 1/8"	9 49/64"
12.5"D	6 17/32"	12 21/64"
16"D	8 11/32"	15 43/64"



KAM-W-M5



KAM-D-M5

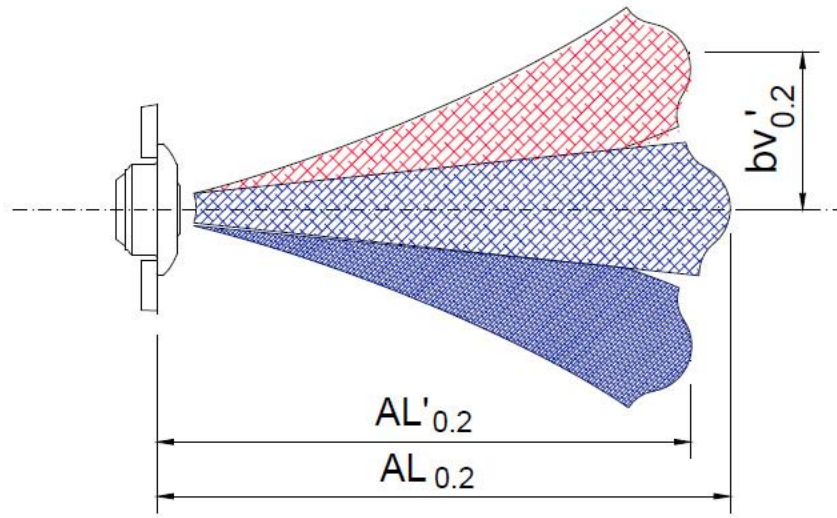
KAM Performance Data

Neck Size	Neck (fpm) Velocity	300	400	500	600	700	800	1000	1200
	Velocity Pressure (H2O)	0.006	.010	.016	.022	.031	.041	.062	.090
5" (125mm)	CFM	41	55	68	82	95	109	136	164
	Pressure Loss (in.w.g.)	0.141	0.231	0.328	0.444	0.573	0.715	1.037	1.422
	NC	< 15	< 15	19	24	28	31	37	41
	Throw (ft) - Coanda Effect	21-35-53	28-46-70	34-57-85	40-67-101	47-78-116	53-88-132	65-109-163	78-130-195
	Throw (ft) - No Ceiling Effect	16-26-40	21-35-52	25-42-64	30-50-76	35-58-87	40-66-99	49-81-122	59-97-146
6" (160mm)	CFM	61	81	101	122	142	162	203	244
	Pressure Loss (in.w.g.)	0.117	0.187	0.27	0.368	0.475	0.592	0.865	1.178
	NC	< 15	17	22	26	30	33	38	42
	Throw (ft) - Coanda Effect	21-35-53	28-46-69	34-57-85	41-68-102	47-78-117	53-89-133	66-110-165	78-131-196
	Throw (ft) - No Ceiling Effect	16-26-40	21-35-52	26-43-64	30-51-76	35-59-88	40-66-100	49-82-124	59-98-147
8" (200mm)	CFM	105	140	175	209	244	279	349	419
	Pressure Loss (in.w.g.)	0.132	0.213	0.31	0.415	0.538	0.673	0.978	1.328
	NC	< 15	20	24	28	31	33	38	41
	Throw (ft) - Coanda Effect	29-48-72	38-63-94	47-78-117	55-92-138	64-106-159	72-121-181	89-149-224	106-177-266
	Throw (ft) - No Ceiling Effect	22-36-54	28-47-71	35-58-87	41-69-103	48-80-120	54-90-136	67-112-168	80-133-199
10" (250mm)	CFM	164	218	273	327	382	436	545	654
	Pressure Loss (in.w.g.)	0.105	0.17	0.247	0.334	0.433	0.54	0.785	1.064
	NC	15	20	24	28	31	34	38	41
	Throw (ft) - Coanda Effect	37-62-93	49-81-122	60-101-151	72-119-179	83-138-207	94-157-235	116-194-290	138-230-345
	Throw (ft) - No Ceiling Effect	28-47-70	37-61-92	45-75-113	54-90-134	62-104-156	70-117-176	87-145-218	103-172-259
12" (315mm)	CFM	244	325	406	487	568	649	812	974
	Pressure Loss (in.w.g.)	0.087	0.141	0.204	0.277	0.359	0.448	0.652	0.883
	NC	17	23	26	30	32	35	39	42
	Throw (ft) - Coanda Effect	37-61-92	48-80-120	59-99-148	71-118-176	82-136-204	93-154-232	114-191-286	136-227-340
	Throw (ft) - No Ceiling Effect	28-46-69	36-60-90	45-74-111	53-88-132	61-102-153	69-116-174	86-153-215	102-170-255
16" (400mm)	CFM	419	559	698	838	977	1117	1396	1676
	Pressure Loss (in.w.g.)	0.075	0.121	0.176	0.238	0.308	0.385	0.559	
	NC	27	32	36	39	42	44	48	
	Throw (ft) - Coanda Effect	44-74-111	58-97-146	72-120-180	85-142-214	99-165-247	112-187-280	138-231-346	
	Throw (ft) - No Ceiling Effect	33-55-83	44-73-109	54-90-135	64-107-160	74-123-185	84-140-210	104-173-260	

Performance Notes

- NC value based on 10 db room attenuation
- Horizontal Throw values are based on isothermal air and terminal velocities of **100 fpm, 60 fpm and 40 fpm** respectively

Correction Factors for Horizontal Throw



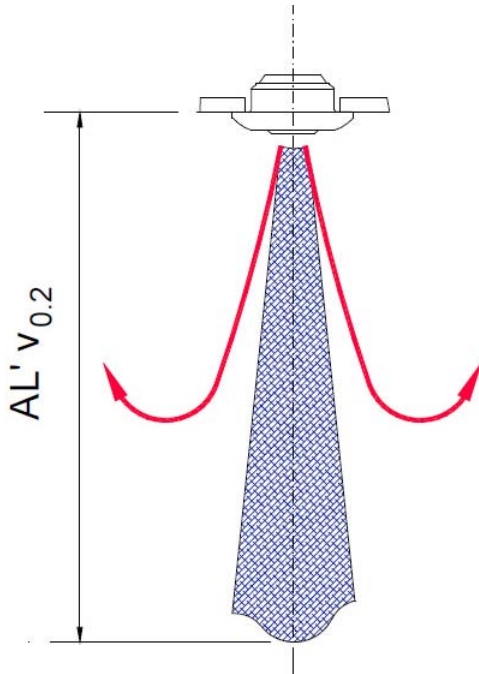
$bv = kh \times \text{Throw}$

$\text{Throw}'(\Delta T) = KI \times \text{Throw}$

Kh = Correction Factor for Vertical Diffusion
 KI = Throw Correction Factor
 AL_{0.2} = Distance at which velocity reaches 40 fpm

Delta T Correction Factors						
	125 - 160		200-250		315 - 400	
Δ T (F)	Kh	KI	Kh	KI	Kh	KI
-25	-0.385	0.84	-0.54	0.84	-0.7	0.84
-20	-0.315	0.87	-0.43	0.87	-0.55	0.87
-15	-0.23	0.91	-0.325	0.91	-0.42	0.91
-10	-0.155	0.935	-0.22	0.935	-0.28	0.935
-5	-0.08	0.97	-0.105	0.97	-0.14	0.97
0	0	1	0	1	0	1
5	0.08	0.97	0.105	0.97	0.14	0.97
10	0.155	0.935	0.22	0.935	0.28	0.935
15	0.23	0.91	0.325	0.91	0.42	0.91
20	0.315	0.87	0.43	0.87	0.55	0.87
25	0.385	0.84	0.54	0.84	0.7	0.84

Correction Factors for Vertical Throw



Throw'(ΔT)= Kv x Throw

Kv = Correction Factor for Vertical Diffusion

AL'v 0.2 = Vertical distance at which velocity reaches 40 fpm

ΔT (F)	Kv
-25	1.445
-20	1.36
-15	1.27
-10	1.18
-5	1.08
0	1
5	0.91
10	0.82
15	0.73
20	0.65
25	0.555

How to Specify KAM Series

Supply and mounting of model KAM aluminum long throw jet nozzle diffuser with adjustable core which can be rotated to adjust direction of the airflow. Constructed from spun aluminum, powder coated in white M9016 or metallic grey M9006. By EffectiV HVAC / MADEL.

How to Specify KAM-ACTIF

Supply and mounting of model KAM-ACTIF aluminum long throw jet nozzle diffuser. Autonomously thermally adjustable by means of a thermodynamic piston. Constructed from spun aluminum, powder coated in white M9016 or metallic grey M9006. By EffectiV HVAC / MADEL.

How to Specify KAM-M5

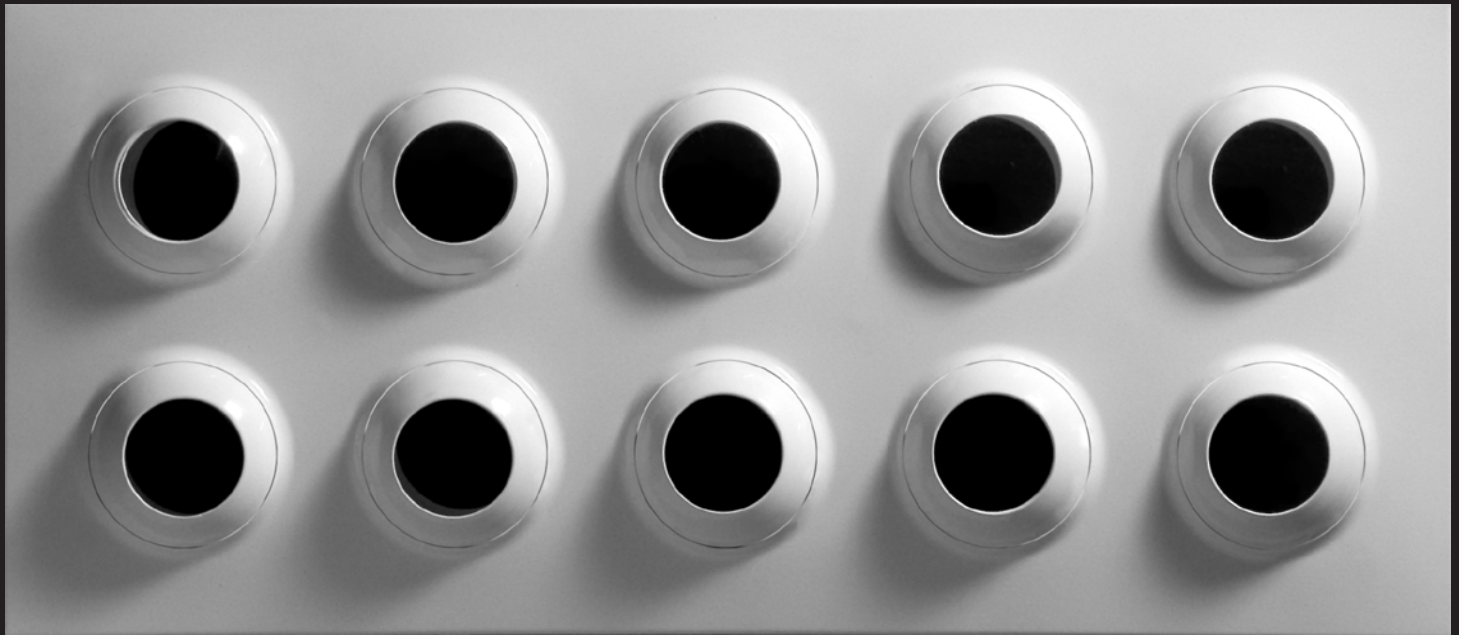
Supply and mounting of model KAM-M5 aluminum long throw jet nozzle diffuser. Adjustable by means of an On/Off actuator. Constructed from spun aluminum, powder coated in white M9016 or metallic grey M9006. By EffectiV HVAC / MADEL.

How to Order KAM Series

KAM	-W	200	/M9016		
			Finish	/M9006	Grey (RAL 9006 White Aluminum)
				/M9016	White (RAL 9016 Traffic White)
				Imperial	Metric
			Neck Diameter	05	5"D 125 125 mm
				06	6.5"D 160 160 mm
				08	8"D 200 200 mm
				10	10"D 250 250 mm
				12	12.5"D 315 315 mm
				16	16"D 400 400 mm
			Mounting	D	Duct
				W	Surface
			Model	KAM	Manually adjustable
				KAM-ACTIF	Autonomously thermally adjustable
				KAM-M5	Adjustable by means of an On/Off actuator



KOO



KOO

Adjustable Long Throw Multi-Jet Nozzle Diffusers

EFFECTIVE
HVAC

The logo graphic for EFFECTIVE HVAC features a stylized, yellow and grey checkmark or 'V' shape that curves around the right side of the word 'EFFECTIVE'. Below the word 'EFFECTIVE' is the word 'HVAC' in a smaller, grey, sans-serif font. A small 'TM' trademark symbol is located to the right of the logo graphic.

TM









Rev 06-01-2020

KOO SERIES

Long Throw Multi-Jet Nozzle Diffusers



KOO
by **MADEL®**

-  Each jet nozzle can be adjusted manually
-  Long throw ideal for large rooms or high ceilings
-  Also possibility of wide spread to cover large windows from a distance
-  Architecturally appealing lines and finish
-  Clip mounting system available with PLRX plenum, great for drywall mounting without apparent screws
-  IEK adaptor available for direct mounting on round duct
-  Nozzles constructed from aluminium and panel from galvanised steel
-  Seal of rotation made of immutable material, classified M1 and F2 as regards fire and smoke safety

KOO Long Throw Multi-Jet Nozzle Diffusers by EffectiV HVAC™ and MADEL® are designed to be used in air conditioning, ventilation and heating systems at a temperature differential up to 22°F (12°C). They can be mounted in the wall or the ceiling.

KOO diffusers respond to different functional and architectural requirements, thanks to their manually adjustable nozzles in all directions. Two nozzle jet diameters are available. Depending on the size of the rectangular panel, the integrated nozzles diameter can either be 3 5/32" (80 mm) or 4 59/64" (125 mm).

Thanks to its long throw and flexibility of direction of the air pattern, KOO is suitable for air diffusion in all kinds of different architectures. It provides a high induction air rate level, reducing stratification.

The KOO Long Throw Multi-Jet Nozzle Diffusers represent a vanguard in design of air diffusers. Integrating one or two rows of jet nozzles into a long panel, the outcome is a smooth and homogeneous surface reducing the visual impact on interior architecture.



Some Applications



Large Pools and Aquatic Centers



Restaurants, Bars, Hotels, Lobbies



Stores and Outlets



Libraries



Theaters



Gymnasiums & Training Facilities



Hallways



Large spaces or high ceilings



Available Models

3 5/32" (80 mm) Nozzle Diameter

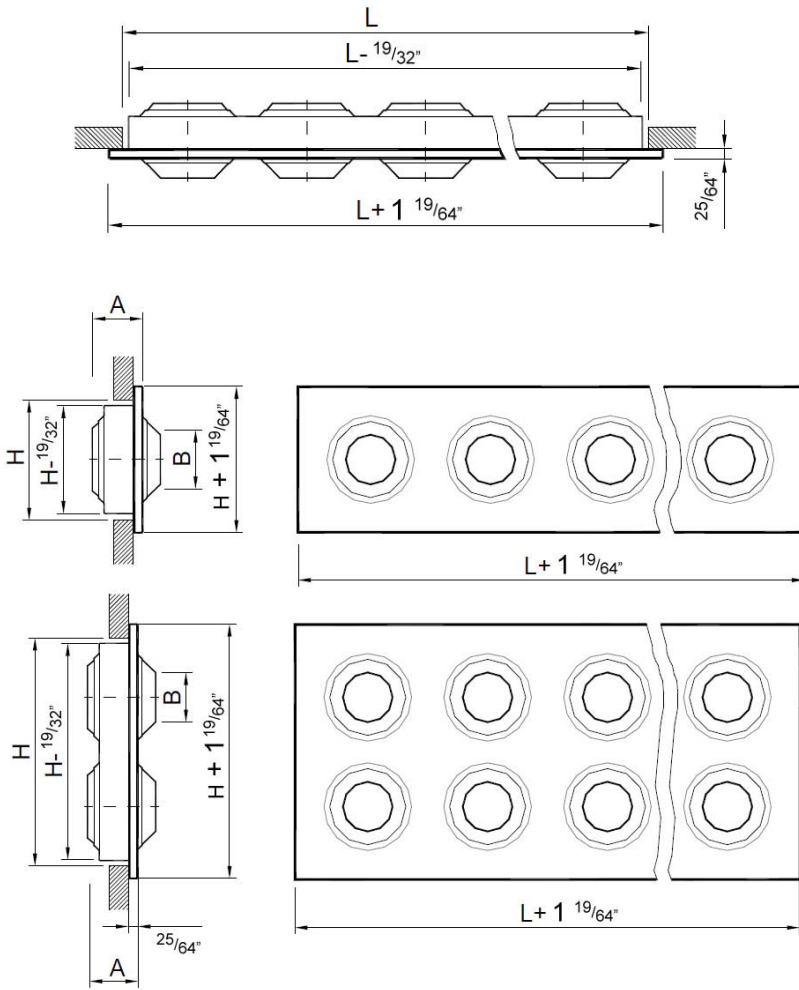
Imperial List Size	Metric List Size	Nozzles Qty	Free Area (sqf)	Min cfm	Max cfm
8 x 4	200 x 100	2 x 1	0.03	15	82
12 x 4	300 x 100	3 x 1	0.046	23	124
16 x 4	400 x 100	4 x 1	0.061	30	159
20 x 4	500 x 100	5 x 1	0.078	38	194
24 x 4	600 x 100	6 x 1	0.093	45	221
28 x 4	700 x 100	7 x 1	0.108	53	247
32 x 4	800 x 100	8 x 1	0.123	61	273
36 x 4	900 x 100	9 x 1	0.139	68	300
40 x 4	1000 x 100	10 x 1	0.155	76	326
8 x 8	200 x 200	2 x 2	0.061	30	156
12 x 8	300 x 200	3 x 2	0.093	45	235
16 x 8	400 x 200	4 x 2	0.123	61	306
20 x 8	500 x 200	5 x 2	0.155	76	376
24 x 8	600 x 200	6 x 2	0.185	91	423
28 x 8	700 x 200	7 x 2	0.215	106	468
32 x 8	800 x 200	8 x 2	0.237	116	512
36 x 8	900 x 200	9 x 2	0.278	136	559
40 x 8	1000 x 200	10 x 2	0.31	152	603

4 59/64" (125 mm) Nozzle Diameter

Imperial List Size	Metric List Size	Nozzles Qty	Free Area (sqf)	Min cfm	Max cfm
12 x 6	300 x 150	2 x 1	0.06	29	147
18 x 6	450 x 150	3 x 1	0.09	45	218
24 x 6	600 x 150	4 x 1	0.121	59	291
30 x 6	750 x 150	5 x 1	0.151	74	347
36 x 6	900 x 150	6 x 1	0.181	89	400
42 x 6	1050 x 150	7 x 1	0.211	104	453
48 x 6	1200 x 150	8 x 1	0.241	119	506
12 x 12	300 x 300	2 x 2	0.121	59	256
18 x 12	450 x 300	3 x 2	0.181	89	382
24 x 12	600 x 300	4 x 2	0.241	119	512
30 x 12	750 x 300	5 x 2	0.301	148	650
36 x 12	900 x 300	6 x 2	0.362	178	788
42 x 12	1050 x 300	7 x 2	0.422	208	926
48 x 12	1200 x 300	8 x 2	0.482	237	1065

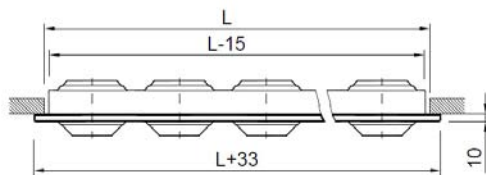
Min cfm and Max cfm are recommended minimum and maximum in general. Products can perform well below and above recommended cfm, depending on the Pressure Loss, NC and Throws that are acceptable for your application.

K00 Imperial Dimensions

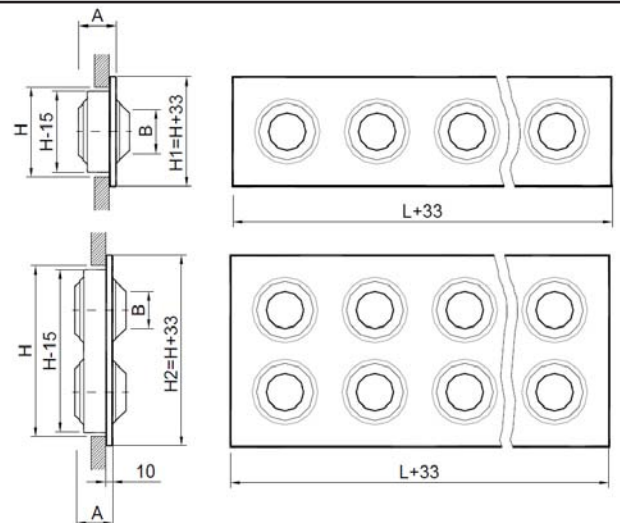


Imperial List Size	L	H	A	B
8 x 4	7 7/8"	3 15/16"	1 3/8"	1 47/64"
12 x 4	11 13/16"	3 15/16"	1 3/8"	1 47/64"
16 x 4	15 3/4"	3 15/16"	1 3/8"	1 47/64"
20 x 4	19 11/16"	3 15/16"	1 3/8"	1 47/64"
24 x 4	23 5/8"	3 15/16"	1 3/8"	1 47/64"
28 x 4	27 9/16"	3 15/16"	1 3/8"	1 47/64"
32 x 4	31 1/2"	3 15/16"	1 3/8"	1 47/64"
36 x 4	35 7/16"	3 15/16"	1 3/8"	1 47/64"
40 x 4	39 3/8"	3 15/16"	1 3/8"	1 47/64"
8 x 8	7 7/8"	7 7/8"	1 3/8"	1 47/64"
12 x 8	11 13/16"	7 7/8"	1 3/8"	1 47/64"
16 x 8	15 3/4"	7 7/8"	1 3/8"	1 47/64"
20 x 8	19 11/16"	7 7/8"	1 3/8"	1 47/64"
24 x 8	23 5/8"	7 7/8"	1 3/8"	1 47/64"
28 x 8	27 9/16"	7 7/8"	1 3/8"	1 47/64"
32 x 8	31 1/2"	7 7/8"	1 3/8"	1 47/64"
36 x 8	35 7/16"	7 7/8"	1 3/8"	1 47/64"
40 x 8	39 3/8"	7 7/8"	1 3/8"	1 47/64"
12 x 6	11 13/16"	5 29/32"	2 1/4"	2 13/32"
18 x 6	17 23/32"	5 29/32"	2 1/4"	2 13/32"
24 x 6	23 5/8"	5 29/32"	2 1/4"	2 13/32"
30 x 6	29 17/32"	5 29/32"	2 1/4"	2 13/32"
36 x 6	35 7/16"	5 29/32"	2 1/4"	2 13/32"
42 x 6	41 11/32"	5 29/32"	2 1/4"	2 13/32"
48 x 6	47 1/4"	5 29/32"	2 1/4"	2 13/32"
12 x 12	11 13/16"	11 13/16"	2 1/4"	2 13/32"
18 x 12	17 23/32"	11 13/16"	2 1/4"	2 13/32"
24 x 12	23 5/8"	11 13/16"	2 1/4"	2 13/32"
30 x 12	29 17/32"	11 13/16"	2 1/4"	2 13/32"
36 x 12	35 7/16"	11 13/16"	2 1/4"	2 13/32"
42 x 12	41 11/32"	11 13/16"	2 1/4"	2 13/32"
48 x 12	47 1/4"	11 13/16"	2 1/4"	2 13/32"

Metric Dimensions



H	A	B
100	35	44
150	61	57
200	35	44
300	61	57



K00 Performance Data - Straight Air Flow - Smaller Nozzles - 1 Row

8 x 4 (200 x 100)	CFM	15	30	45	60	75	90	115	130
	Pressure Loss (in.w.g.)	0.025	0.078	0.158	0.257	0.378	0.512	0.783	0.961
	NC	-	-	18	26	33	38	45	48
	Throw (ft) - Coanda Effect	6-10-15	12-19-29	17-29-43	22-37-56	28-46-69	33-54-82	41-69-103	46-77-115
	Throw (ft) - No Ceiling Effect	5-8-12	9-15-22	13-21-32	17-28-42	21-35-52	25-41-61	31-52-77	35-58-87
12 x 4 (300 x 100)	CFM	20	40	60	80	100	120	140	160
	Pressure Loss (in.w.g.)	0.018	0.058	0.117	0.191	0.28	0.382	0.497	0.625
	NC	-	-	15	23	29	34	39	42
	Throw (ft) - Coanda Effect	6-10-16	12-20-30	18-29-44	23-39-58	29-48-72	34-57-85	39-65-98	45-74-111
	Throw (ft) - No Ceiling Effect	5-8-12	9-15-23	13-22-33	17-29-44	21-36-54	25-42-64	29-49-74	33-56-84
16 x 4 (400 x 100)	CFM	25	50	75	100	125	150	175	200
	Pressure Loss (in.w.g.)	0.02	0.064	0.128	0.208	0.306	0.416	0.543	0.68
	NC	-	-	18	24	29	32	35	38
	Throw (ft) - Coanda Effect	7-11-17	13-22-32	19-32-48	25-42-62	31-51-77	37-61-91	42-71-106	48-80-120
	Throw (ft) - No Ceiling Effect	5-9-13	10-16-24	14-24-36	19-31-47	23-39-58	27-46-68	32-53-79	36-60-90
20 x 4 (500 x 100)	CFM	30	60	90	120	150	180	210	240
	Pressure Loss (in.w.g.)	0.018	0.059	0.117	0.192	0.281	0.384	0.5	0.628
	NC	-	-	18	24	29	33	37	40
	Throw (ft) - Coanda Effect	7-12-18	14-23-35	21-34-52	27-45-68	33-56-83	40-66-99	46-76-114	52-77-130
	Throw (ft) - No Ceiling Effect	5-9-14	11-18-26	15-26-39	20-34-51	25-42-62	30-49-74	34-57-86	39-57-97
24 x 4 (600 x 100)	CFM	40	80	120	160	200	240	280	320
	Pressure Loss (in.w.g.)	0.018	0.058	0.116	0.189	0.277	0.378	0.493	0.619
	NC	-	-	21	28	33	37	40	43
	Throw (ft) - Coanda Effect	10-16-24	18-31-46	27-45-68	35-59-88	44-73-109	52-86-130	60-100-150	68-113-170
	Throw (ft) - No Ceiling Effect	7-12-18	14-23-35	20-34-51	27-44-66	33-55-82	39-65-97	45-75-112	51-85-127
28 x 4 (700 x 100)	CFM	50	100	150	200	250	300	350	400
	Pressure Loss (in.w.g.)	0.02	0.064	0.129	0.21	0.308	0.42	0.547	0.688
	NC	-	17	26	32	37	41	44	47
	Throw (ft) - Coanda Effect	10-17-26	20-33-50	29-48-73	38-63-95	47-78-117	56-93-139	64-107-161	73-122-183
	Throw (ft) - No Ceiling Effect	8-13-19	15-25-37	22-36-54	29-48-71	35-59-88	42-70-104	48-80-121	55-91-137
32 x 4 (800 x 100)	CFM	60	120	180	240	300	360	420	480
	Pressure Loss (in.w.g.)	0.02	0.065	0.13	0.213	0.312	0.426	0.554	0.696
	NC	-	17	26	32	37	41	44	47
	Throw (ft) - Coanda Effect	11-19-28	21-36-54	31-52-79	41-69-103	51-85-127	60-101-151	70-116-174	79-132-198
	Throw (ft) - No Ceiling Effect	8-14-21	16-27-40	24-39-59	31-51-77	38-64-95	45-75-113	52-87-131	59-99-148
36 x 4 (900 x 100)	CFM	60	120	180	240	300	360	420	480
	Pressure Loss (in.w.g.)	0.016	0.053	0.106	0.173	0.253	0.346	0.45	0.566
	NC	-	15	24	30	35	39	42	45
	Throw (ft) - Coanda Effect	10-17-25	19-32-48	28-47-70	37-61-92	45-75-113	54-90-134	62-104-155	70-117-176
	Throw (ft) - No Ceiling Effect	7-12-19	14-24-36	21-35-52	28-46-69	34-57-85	40-67-101	47-78-117	53-88-132
36 x 4 (1000 x 100)	CFM	70	140	210	280	350	420	490	560
	Pressure Loss (in.w.g.)	0.018	0.057	0.114	0.187	0.274	0.375	0.488	0.613
	NC	-	16	25	32	37	41	44	47
	Throw (ft) - Coanda Effect	12-19-29	22-37-55	32-54-81	42-71-106	52-87-131	62-104-155	72-120-180	81-136-204
	Throw (ft) - No Ceiling Effect	9-14-22	17-28-41	24-40-61	32-53-80	39-65-98	47-78-117	54-90-135	61-102-153

- NC value based on 10 db room attenuation

- Horizontal Throw values are based on isothermal air and terminal velocities of **100 fpm, 60 fpm and 40 fpm** respectively

K00 Performance Data - Straight Air Flow - Smaller Nozzles - 2 Rows

8 x 8 (200 x 200)	CFM	30	60	90	120	150	180	210	240
	Pressure Loss (in.w.g.)	0.027	0.089	0.178	0.291	0.426	0.581	0.757	0.951
	NC	-	-	20	28	35	40	44	48
	Throw (ft) - Coanda Effect	8-13-20	15-26-39	23-38-56	30-49-74	37-61-91	43-72-108	50-84-125	57-95-142
	Throw (ft) - No Ceiling Effect	6-10-15	12-19-29	17-28-42	22-37-56	27-46-68	33-54-81	38-63-94	43-71-107
12 x 8 (300 x 200)	CFM	40	80	120	160	200	240	280	320
	Pressure Loss (in.w.g.)	0.018	0.058	0.116	0.189	0.277	0.378	0.493	0.619
	NC	-	-	21	27	32	35	39	41
	Throw (ft) - Coanda Effect	8-13-19	15-24-37	21-36-54	28-47-70	35-58-87	41-69-103	48-79-119	54-90-135
	Throw (ft) - No Ceiling Effect	6-10-14	11-18-27	16-27-40	21-35-53	26-43-65	31-51-77	36-59-89	40-67-101
16 x 8 (400 x 200)	CFM	50	100	150	200	250	300	400	500
	Pressure Loss (in.w.g.)	0.014	0.047	0.093	0.153	0.224	0.305	0.499	0.731
	NC	-	-	20	26	31	35	41	46
	Throw (ft) - Coanda Effect	9-16-24	18-30-45	26-44-66	35-58-87	43-71-107	51-85-127	67-111-166	82-137-205
	Throw (ft) - No Ceiling Effect	7-12-18	14-23-34	20-33-50	26-43-65	32-53-80	38-64-95	50-83-125	62-103-154
20 x 8 (500 x 200)	CFM	60	120	180	240	300	400	500	600
	Pressure Loss (in.w.g.)	0.013	0.044	0.088	0.144	0.211	0.345	0.506	0.45
	NC	-	-	20	26	31	37	42	46
	Throw (ft) - Coanda Effect	10-17-25	19-32-48	28-47-70	37-61-92	45-75-113	59-99-148	73-122-183	87-145-217
	Throw (ft) - No Ceiling Effect	7-12-19	14-24-36	21-35-52	28-46-69	34-57-85	45-74-111	55-92-137	65-109-163
24 x 8 (600 x 200)	CFM	70	140	210	280	350	420	500	600
	Pressure Loss (in.w.g.)	0.015	0.05	0.1	0.163	0.238	0.326	0.439	0.599
	NC	-	-	20	27	32	36	40	44
	Throw (ft) - Coanda Effect	10-17-25	19-32-48	28-47-70	37-62-92	46-76-114	54-90-135	64-106-159	76-126-189
	Throw (ft) - No Ceiling Effect	8-13-19	14-24-36	21-35-53	28-46-69	34-57-85	41-68-101	48-80-120	57-95-142
28 x 8 (700 x 200)	CFM	80	160	240	320	400	500	600	700
	Pressure Loss (in.w.g.)	0.019	0.062	0.125	0.204	0.299	0.439	0.599	0.78
	NC	-	-	21	27	32	37	41	45
	Throw (ft) - Coanda Effect	11-19-28	22-36-55	32-53-80	42-70-105	52-86-129	64-106-159	76-126-189	88-146-219
	Throw (ft) - No Ceiling Effect	9-14-21	16-27-41	24-40-60	31-52-79	39-65-97	48-80-120	57-95-142	66-109-164
32 x 8 (800 x 200)	CFM	100	200	300	400	500	600	700	800
	Pressure Loss (in.w.g.)	0.019	0.064	0.127	0.208	0.305	0.416	0.542	0.681
	NC	-	15	23	30	35	39	42	45
	Throw (ft) - Coanda Effect	13-21-32	25-41-61	36-60-90	47-79-118	58-97-145	69-115-173	80-133-200	91-151-226
	Throw (ft) - No Ceiling Effect	10-16-24	18-31-46	27-45-67	35-59-88	44-73-109	52-86-129	60-100-150	68-113-170
36 x 8 (900 x 200)	CFM	100	200	300	400	500	600	700	800
	Pressure Loss (in.w.g.)	0.016	0.051	0.102	0.167	0.244	0.334	0.434	0.546
	NC	-	-	21	27	32	36	40	43
	Throw (ft) - Coanda Effect	11-19-29	22-36-55	32-53-80	42-70-105	52-86-130	62-103-154	71-119-178	81-134-202
	Throw (ft) - No Ceiling Effect	9-14-21	16-27-41	24-40-60	32-53-79	39-65-97	46-77-115	53-89-133	61-101-151
36 x 8 (1000 x 200)	CFM	125	250	375	500	600	700	800	1000
	Pressure Loss (in.w.g.)	0.019	0.061	0.122	0.2	0.273	0.355	0.446	0.653
	NC	-	16	25	31	35	39	42	46
	Throw (ft) - Coanda Effect	13-21-31	24-40-60	35-59-88	46-77-115	55-91-137	63-106-159	72-120-180	89-148-222
	Throw (ft) - No Ceiling Effect	9-16-24	18-30-45	26-44-66	35-58-87	41-69-103	48-79-119	54-90-135	67-111-166

- NC value based on 10 db room attenuation

- Horizontal Throw values are based on isothermal air and terminal velocities of **100 fpm, 60 fpm and 40 fpm** respectively

K00 Performance Data - Straight Air Flow - Larger Nozzles - 1 Row



12 x 6 (300 x 150)	CFM	25	50	75	100	125	150	175	200
	Pressure Loss (in.w.g.)	0.012	0.042	0.09	0.152	0.231	0.323	0.431	0.551
	NC	-	-	20	26	31	35	39	42
	Throw (ft) - Coanda Effect	6-10-14	12-20-30	19-32-48	26-43-65	33-55-83	40-67-101	48-80-120	55-92-138
	Throw (ft) - No Ceiling Effect	4-7-11	9-15-23	14-24-36	19-32-49	25-41-62	30-50-76	36-60-90	41-69-104
18 x 6 (450 x 150)	CFM	40	80	120	160	200	240	280	320
	Pressure Loss (in.w.g.)	0.012	0.045	0.095	0.162	0.245	0.344	0.458	0.587
	NC	-	-	21	27	32	36	40	43
	Throw (ft) - Coanda Effect	7-12-17	15-25-37	23-38-57	31-52-78	40-67-100	49-81-122	58-96-145	67-111-167
	Throw (ft) - No Ceiling Effect	5-9-13	11-18-28	17-29-43	24-39-59	30-50-75	37-61-92	43-72-108	50-84-125
24 x 6 (600 x 150)	CFM	50	100	150	200	250	300	400	500
	Pressure Loss (in.w.g.)	0.012	0.042	0.089	0.152	0.23	0.322	0.55	0.833
	NC	-	-	21	27	32	36	42	47
	Throw (ft) - Coanda Effect	7-11-17	15-24-36	23-38-57	31-52-78	40-66-99	48-81-121	66-110-166	85-141-211
	Throw (ft) - No Ceiling Effect	5-9-13	11-18-27	17-28-43	23-39-58	30-50-74	36-60-91	50-83-124	63-106-158
30 x 6 (750 x 150)	CFM	60	120	180	240	300	400	500	600
	Pressure Loss (in.w.g.)	0.013	0.045	0.097	0.165	0.25	0.426	0.645	0.905
	NC	-	-	20	27	32	38	43	47
	Throw (ft) - Coanda Effect	7-12-17	15-25-37	23-38-58	32-53-79	40-67-101	55-92-138	70-117-176	86-143-214
	Throw (ft) - No Ceiling Effect	5-9-13	11-19-28	17-29-43	24-39-59	30-50-75	41-69-103	53-88-132	64-107-161
36 x 6 (900 x 150)	CFM	70	140	210	280	350	420	500	600
	Pressure Loss (in.w.g.)	0.013	0.046	0.097	0.166	0.252	0.353	0.488	0.685
	NC	-	-	21	27	32	36	40	44
	Throw (ft) - Coanda Effect	7-12-17	15-25-37	23-39-58	32-53-79	41-68-101	49-82-124	60-100-150	73-122-183
	Throw (ft) - No Ceiling Effect	5-9-13	11-19-28	17-29-44	24-40-60	30-51-76	37-62-93	45-75-112	55-91-137
42 x 6 (1050 x 150)	CFM	80	160	240	320	400	500	600	700
	Pressure Loss (in.w.g.)	0.012	0.043	0.092	0.157	0.238	0.36	0.506	0.673
	NC	-	-	21	27	32	37	41	44
	Throw (ft) - Coanda Effect	7-12-18	15-25-38	23-39-58	32-53-80	41-68-102	52-87-130	64-106-159	75-125-188
	Throw (ft) - No Ceiling Effect	5-9-13	11-19-28	18-29-44	24-40-60	31-51-77	39-65-98	48-80-119	56-94-141
48 x 6 (1200 x 150)	CFM	100	200	300	400	500	600	700	800
	Pressure Loss (in.w.g.)	0.013	0.046	0.098	0.167	0.252	0.354	0.471	0.604
	NC	-	15	23	30	35	39	42	45
	Throw (ft) - Coanda Effect	9-15-22	19-32-48	30-50-75	41-68-102	52-87-130	64-106-159	75-125-188	87-145-218
	Throw (ft) - No Ceiling Effect	7-11-17	14-24-36	22-37-56	31-51-77	39-65-98	48-80-119	56-94-141	65-109-163

- NC value based on 10 db room attenuation

- Horizontal Throw values are based on isothermal air and terminal velocities of **100 fpm, 60 fpm and 40 fpm** respectively

K00 Performance Data - Straight Air Flow - Larger Nozzles - 2 Rows

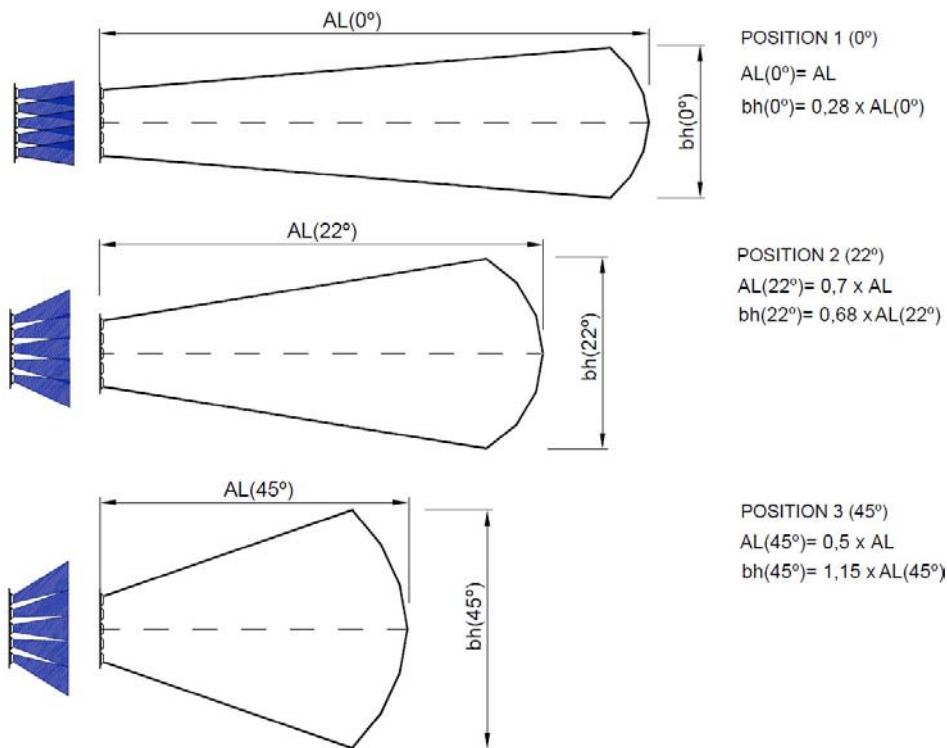
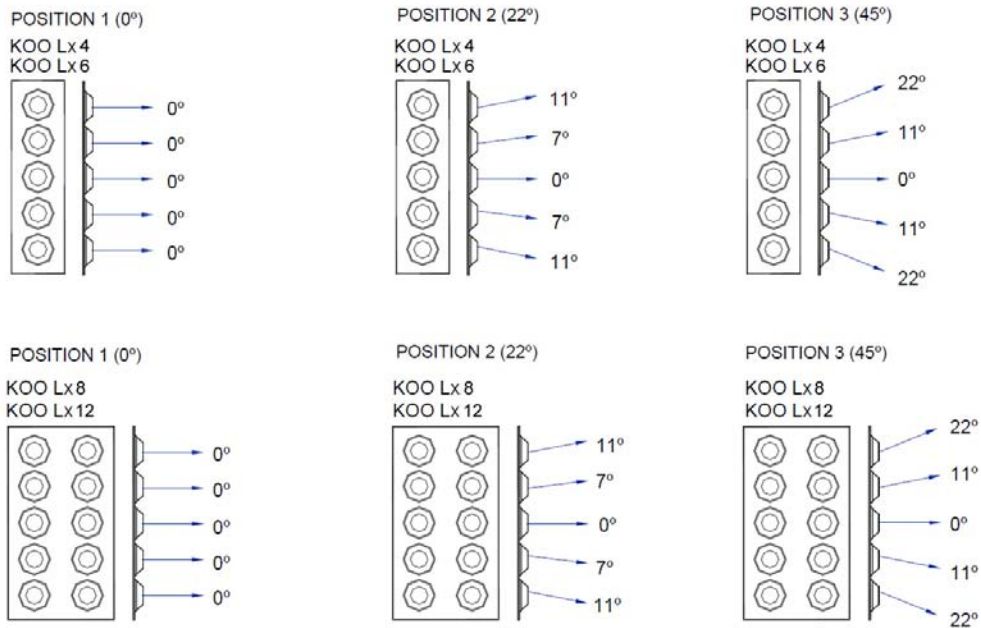


12 x 12 (300 x 300)	CFM	40	80	120	160	200	250	300	350
	Pressure Loss (in.w.g.)	0.008	0.028	0.059	0.1	0.152	0.23	0.322	0.429
	NC	-	-	19	25	30	35	39	42
	Throw (ft) - Coanda Effect	7-12-17	15-25-37	23-38-57	31-52-78	40-67-100	51-85-128	62-104-156	74-123-184
	Throw (ft) - No Ceiling Effect	5-9-13	11-18-28	17-29-43	24-39-59	30-50-75	38-64-96	47-78-117	55-92-138
18 x 12 (450 x 300)	CFM	75	150	225	300	375	450	525	600
	Pressure Loss (in.w.g.)	0.014	0.052	0.111	0.189	0.286	0.401	0.535	0.685
	NC	-	-	23	30	35	39	42	45
	Throw (ft) - Coanda Effect	9-15-22	19-31-47	29-49-74	40-67-101	51-86-128	63-104-157	74-124-185	86-143-214
	Throw (ft) - No Ceiling Effect	7-11-17	14-24-35	22-37-55	30-50-75	39-64-96	47-78-117	56-93-139	64-107-161
24 x 12 (600 x 300)	CFM	80	160	240	320	400	480	560	640
	Pressure Loss (in.w.g.)	0.008	0.03	0.064	0.11	0.167	0.234	0.311	0.399
	NC	-	-	17	23	28	32	35	38
	Throw (ft) - Coanda Effect	10-16-24	20-34-51	32-53-79	43-72-108	55-92-138	67-112-168	80-133-199	92-153-230
	Throw (ft) - No Ceiling Effect	7-12-18	15-25-38	24-39-59	32-54-81	41-69-103	50-84-126	60-99-149	69-115-173
30 x 12 (750 x 300)	CFM	100	200	300	400	500	600	700	800
	Pressure Loss (in.w.g.)	0.01	0.035	0.074	0.127	0.193	0.27	0.36	0.461
	NC	-	-	18	25	29	33	37	40
	Throw (ft) - Coanda Effect	9-15-22	19-32-48	30-50-75	41-68-102	52-87-130	64-106-159	75-125-188	87-145-218
	Throw (ft) - No Ceiling Effect	7-11-17	14-24-36	22-37-56	31-51-77	39-65-98	48-80-119	56-94-141	65-109-163
36 x 12 (900 x 300)	CFM	125	250	375	500	625	750	875	1000
	Pressure Loss (in.w.g.)	0.011	0.038	0.082	0.139	0.211	0.296	0.394	0.505
	NC	-	-	19	25	30	34	38	41
	Throw (ft) - Coanda Effect	9-15-23	19-32-49	30-50-76	41-69-103	53-88-132	64-107-161	76-127-191	88-147-221
	Throw (ft) - No Ceiling Effect	7-11-17	15-24-36	23-38-57	31-52-78	40-66-99	48-81-121	57-95-143	66-110-165
42 x 12 (1050 x 300)	CFM	150	300	450	600	750	900	1050	1200
	Pressure Loss (in.w.g.)	0.012	0.042	0.089	0.152	0.23	0.322	0.429	0.55
	NC	-	-	19	26	31	35	38	41
	Throw (ft) - Coanda Effect	11-19-28	24-40-59	37-61-92	51-84-126	64-107-161	79-131-197	93-155-233	108-179-269
	Throw (ft) - No Ceiling Effect	8-14-21	18-30-44	28-46-69	38-63-95	48-81-121	59-98-147	70-116-175	81-135-202
48 x 12 (1200 x 300)	CFM	200	400	600	800	1000	1200	1400	1600
	Pressure Loss (in.w.g.)	0.017	0.061	0.129	0.22	0.333	0.467	0.622	0.798
	NC	-	-	22	29	33	38	41	44
	Throw (ft) - Coanda Effect	14-23-34	29-48-72	45-75-113	62-103-154	79-131-197	96-160-240	113-189-284	131-219-329
	Throw (ft) - No Ceiling Effect	10-17-25	22-36-54	34-56-84	46-77-116	59-98-147	72-120-180	86-142-213	99-164-246

- NC value based on 10 db room attenuation

- Horizontal Throw values are based on isothermal air and terminal velocities of **100 fpm, 60 fpm and 40 fpm** respectively

KOO Performance Data - Airflow Spread Correction Factors

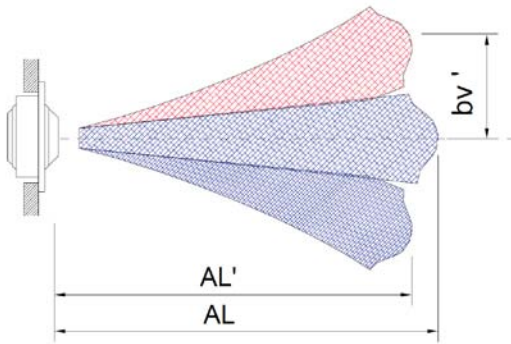


Calculation Example

We need to calculate the throw and spread for a KOO 48 12 configured at 45°, installed in the sidewall (no ceiling effect) and supplying 600 cfm of air.

Throw at 40 fpm: $AL = 84$ ft
Corrected throw for 45° angle: $AL(45) = 84 \times 0.5 = 42$ ft
Spread for 45° angle: $bh(45) = 42 \times 1.15 = 48.3$ ft

KOO Performance Data - Temperature Correction Factors



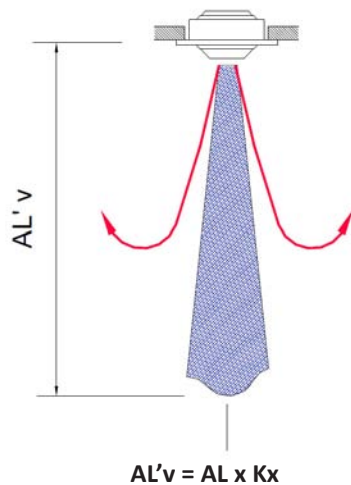
$$AL' = AL \times Kh$$

$$bv' = AL \times Kv$$

Kh = Correction Factor for Vertical Diffusion
 K_I = Throw Correction Factor
 AL = Throw

Delta T Correction Factors					
Δ T (F)	Kh	Kv1	Kv2	Kv3	Kv4
-25	-0.84	-0.38	-0.49	-0.67	-0.79
-20	-0.87	-0.36	-0.4	-0.505	-0.645
-15	-0.91	-0.23	-0.295	-0.375	-0.48
-10	-0.935	-0.16	-0.2	-0.26	-0.33
-5	-0.97	-0.075	-0.1	-0.115	-0.155
0	1	0	0	0	0
5	0.97	0.075	0.1	0.115	0.155
10	0.935	0.16	0.2	0.26	0.33
15	0.91	0.23	0.295	0.375	0.48
20	0.87	0.36	0.4	0.505	0.645
25	0.84	0.38	0.49	0.67	0.79

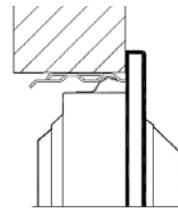
Kv Factor Selection Based on Dimension			
Kv1	Kv2	Kv3	Kv4
8 x 4 (200x100)	20 x 4 (500x100)	32 x 4 (800x100)	28 x 4 (700x800)
12 x 4 (300x100)	24 x 4 (600x100)	36 x 4 (900x100)	32 x 8 (800x200)
16 x 4 (400x100)	28 x 4 (700x100)	40 x 4 (1000x100)	36 x 8 (900x200)
8 x 8 (200x200)	12 x 8 (300x200)	16 x 8 (400x200)	40 x 8 (1000x200)
12 x 6 (300x150)	18 x 6 (450x150)	20 x 8 (500x200)	42 x 6 (1050x150)
	24 x 6 (600x150)	24 x 8 (600x200)	48 x 6 (1200x150)
	12 x 12 (300x300)	30 x 6 (750x150)	24 x 12 (600x300)
		36 x 6 (900x150)	30 x 12 (750x300)
		18 x 12 (450x300)	36 x 12 (900x300)
			42 x 12 (1050x300)
			48 x 12 (1200x300)



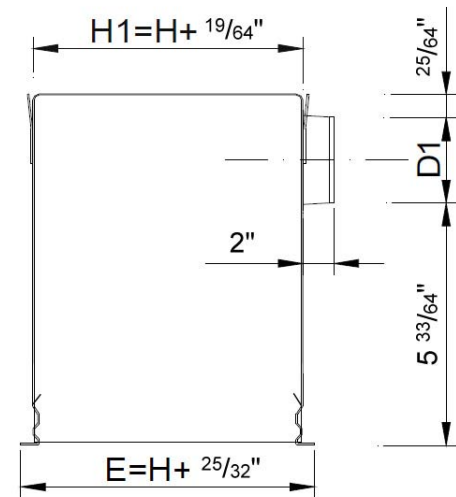
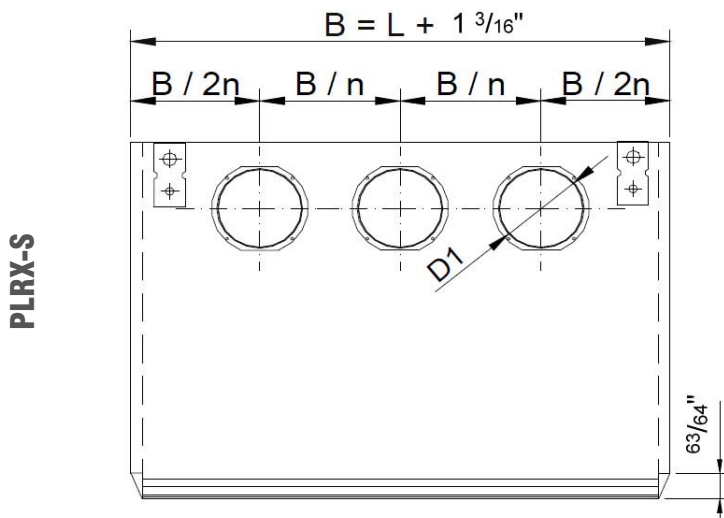
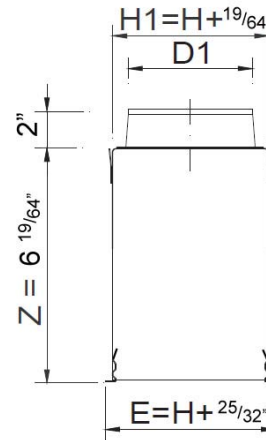
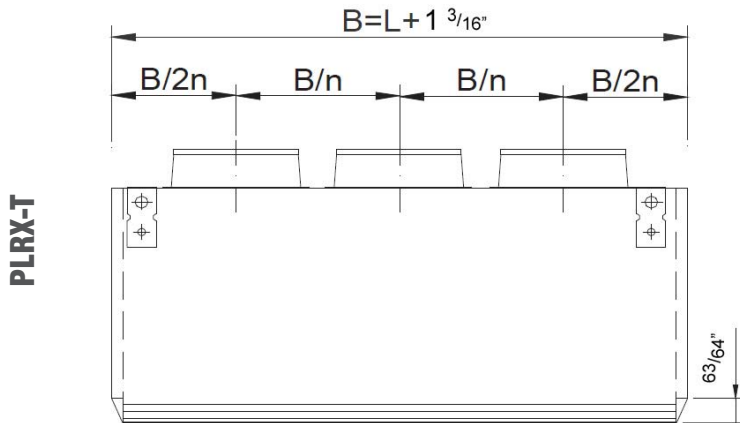
Delta T Correction Factor For Vertical Throw	
Δ T (F)	Kx
-25	1.445
-20	1.355
-15	1.27
-10	1.18
-5	1.09
0	1
5	0.915
10	0.82
15	0.73
20	0.645
25	0.555

K00 Spring Clips Mounting

Invisible fixing by means of pressure clips with security hooks for ceiling installation. Requires PLRX plenum or CM mounting frame.

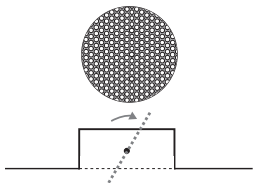


PLRX Plenum



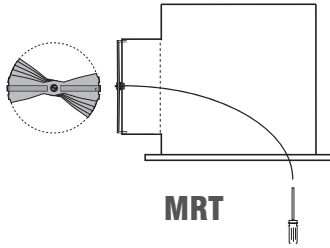
Neck Diameter and Quantity					
L	< 24"	< 36"	< 40"	< 48"	>= 48"
H	4"	1x 4"D	2x 4"D	2x 4"D	3x 4"D
	6"	1x 5"D	2x 5"D	2x 5"D	3x 5"D
	8"	1x 8"D	1x 8"D	2x 8"D	2x 8"D
	12"	1x 10"D	1x 10"D	1x 10"D	2x 10"D

Integrated Air Volume Dampers



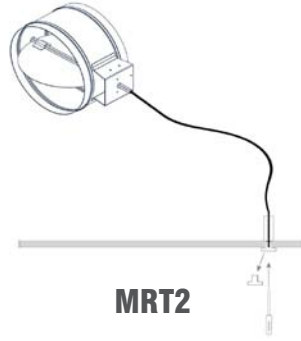
R

Perforated damper + air equalizer



MRT

Manually operated damper, cable inside the plenum, adjustment through face



MRT2

Manually operated damper, cable through drywall with termination fixture



EB

Battery operated electro-balance damper with remote control, cable through face



EB2

Battery operated electro-balance damper with remote control, cable through drywall with termination fixture

Note: MRT, MRT2, EB and EB2 Damper Options are only available for KOO with 2 rows (Height 8" and 12").

How to Specify KOO Series

Supply and mounting of model KOO adjustable long throw multi-jet nozzle diffuser. Each nozzle rotates independently to adjust direction of the airflow. Constructed from spun aluminum, powder coated in white M9016. Supply with PLRX plenum and concealed mounting clips. By EffectiV HVAC / MADEL.

How to Order KOO Series

KOO	-S	48	6	/M9016	+ PLRX-S-R 48 6
			Finish	/M9006	Metalllic Grey (RAL 9006 White Aluminum)
				/M9016	White (RAL 9016 Traffic White)
		Height	4, 6, 8, 12		
	Width	8, 12, 16, 18, 20, 24, 28, 30, 32, 36, 40, 42, 48			
Mounting	S	Invisible fixing by means of pressure clips			
	T	Visible screws			



LSD
High Induction Linear Slot Diffuser



LSD SERIES

High Induction Linear Slot Diffuser



LSD
by MADEL®



Each sector can be adjusted independently



Possibility of 1 way, 2 way, 2 way alternate or vertical air diffusion patterns, or hybrid combinations



Default 2 way alternate pattern creates high induction and allows 2 way diffusion even from a single slot



Architecturally appealing lines and finish



Invisible clip mounting system available with PLSD plenum, great for drywall mounting without apparent screws, very fast and secure



Can be joined to create long continuous diffusers, 90 degree corners also available



Diffuser constructed from aluminum with PVC adjustable curved blades



Available with white or black vanes

The LSD series High Induction Linear Slot Diffusers are designed to combine aesthetics with technical performance.

Available with 1 to 4 slots, LSD is suitable for both supply and return. Its 4" (100mm) long sectors are made of curved blades which can rotate independently to obtain a horizontal distribution of the air in one or two directions, or a vertical projection.

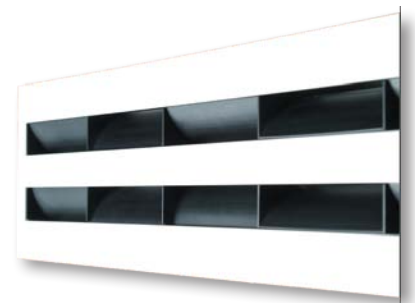
Its full adjustability and high induction ratio are what make LSD so unique. It can easily be adjusted to supply air in custom patterns when required, either to avoid specific people or objects, or to target windows and other sources of heat and cold.

Furthermore, its 2 way alternate pattern, which is the standard configuration, provides an airflow similar to other linear diffusers, yet providing a much higher induction ratio, meaning it mixes more room air with the same quantity of supplied air.

LSD's technology allows for high speed discharge of air with low acoustic noise.

It can be mounted in false ceilings or suspended from the ceiling. Multiple sections can be joined together to form continuous diffusers with active and inactive areas, without breaking the architectural lines. 90 degree angles are available for continuous designs.

LSD diffusers admit a flow variation of 60% while keeping the air stream stable. It can be used from 8.5 feet to 13 feet (2.6 up to 4 meters) high and at a temperature differential up to 22°F (12°C).



Some Applications



Fenestrated Walls



Hallways and Long Spaces



Commercial Spaces: Restaurants, Bars, Hotels, Lobbies, Stores, Outlets



Offices and Meeting Rooms



Schools and Classrooms



Gymnasiums & Training Facilities



Libraries



Theaters



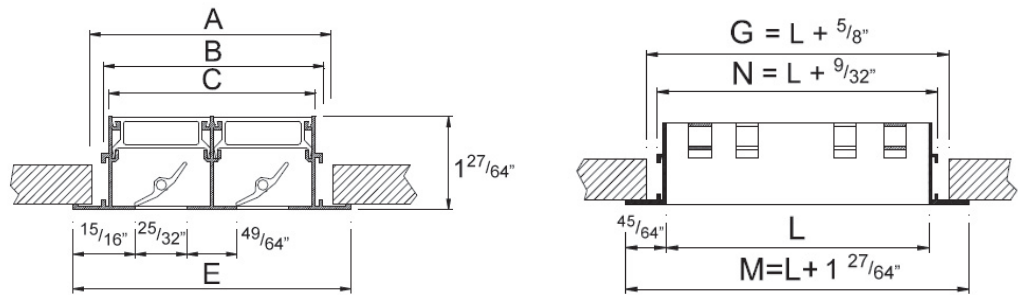
Clean Rooms



Server Rooms



LSD Dimensions

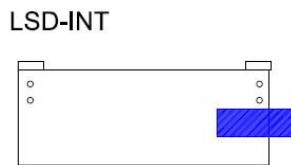
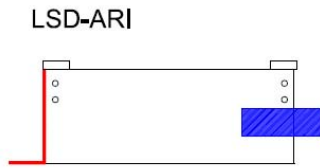


Nb Slots	E	A	B	C
1	2 43/64"	2 11/64"	1 27/32"	1 19/32"
2	4 7/32"	3 47/64"	3 25/64"	3 9/64"
3	5 9/64"	5 9/32"	4 15/16"	4 45/64"
4	7 5/16"	6 13/16"	6 31/64"	6 1/4"

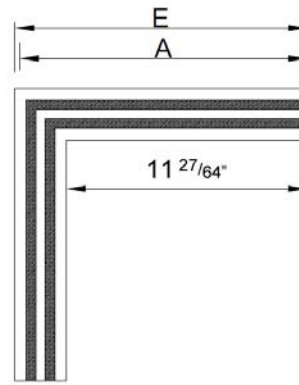
Continuous Linears

LSD can be ordered in sections with or without End Borders to form continuous linear slot diffusers of virtually any length.

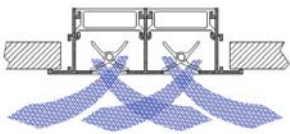
The maximum length for one section is 6' 6" (2m).



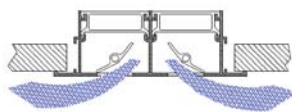
Inactive 90° angles for LSD also available



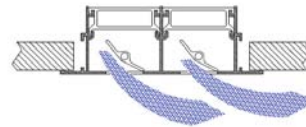
Airflow Balancing



2 Way Alternate (Default)



2 Way



1 Way

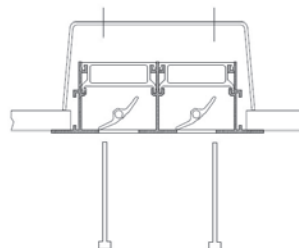


Vertical

Independently adjustable sectored vanes allow for multiple air diffusion patterns. The standard (factory) configuration is 2 Way Alternate and provides optimal performance and comfort in most applications.

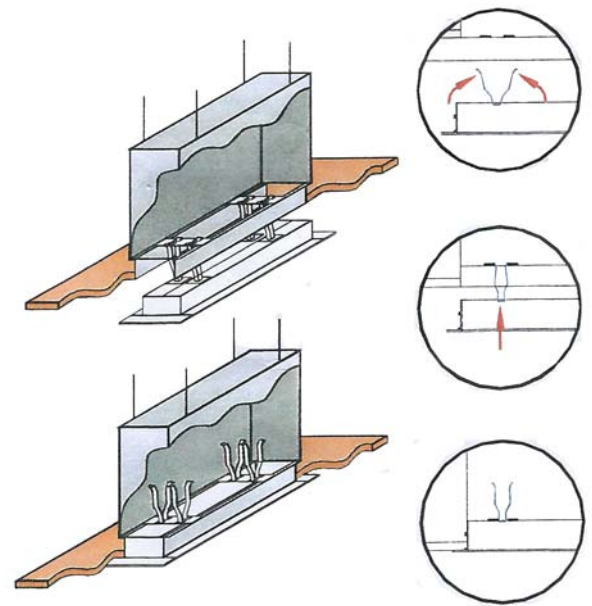
PM Mounting Kit

C-clip with long screws for installation without plenum directly into drywall.

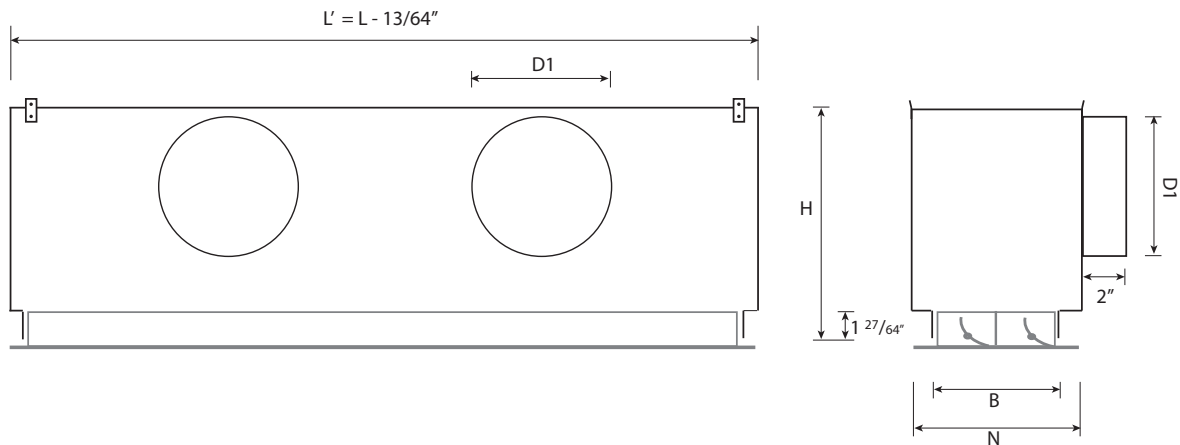
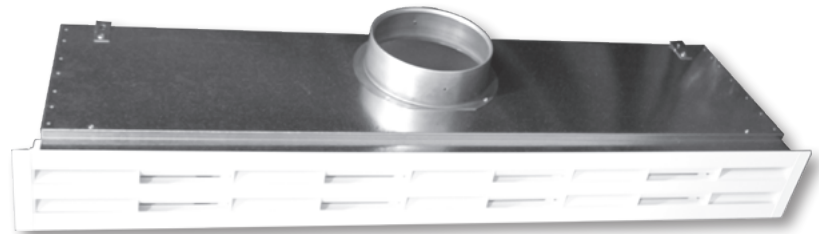


PL Hidden Mounting System

PLSD Plenum with PL mounting kit for LSD diffuser allow for quick and secure installation in drywall or open ceilings. LSD diffuser is attached to the plenum by means of spring clips and hooks. The diffuser can be removed and re-installed in just a few seconds for cleaning or balancing purposes.

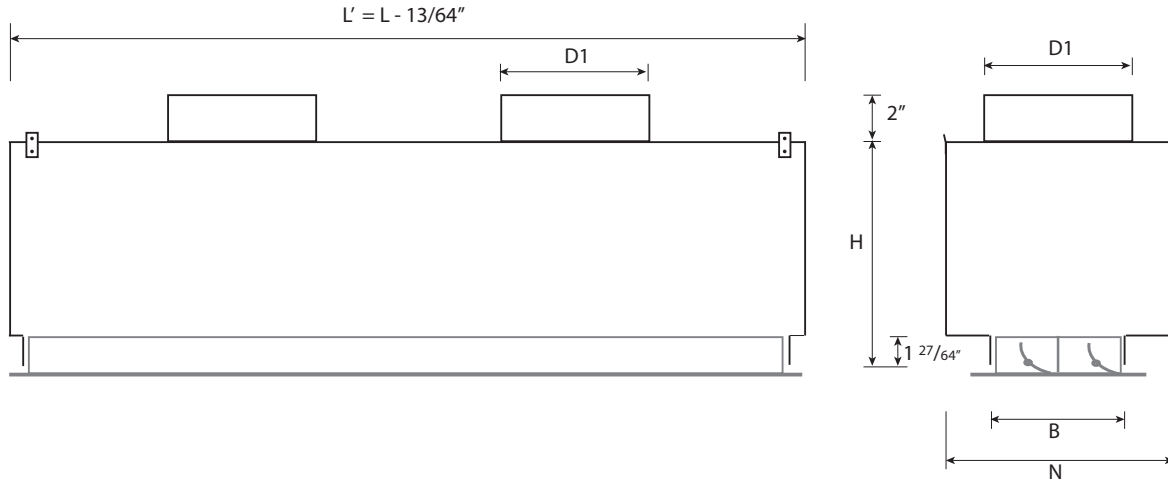


PLSD Plenum With Side Connection



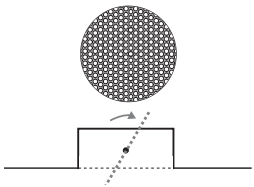
Slots	H	B	N	D1 (L ≤ 20")	D1 (L ≤ 40")	D1 (L ≤ 48")	D1 (L ≤ 60")	D1 (L ≤ 78")
1	10 5/64"	1 27/32"	2 23/32"	1x 6"D	1x 6"D	1x 6"D	1x 6"D	2x 6"D
2	10 5/64"	3 25/64"	4 1/4"	1x 6"D	1x 6"D	1x 6"D	2x 6"D	2x 6"D
3	11 21/32"	4 15/16"	5 25/32"	1x 8"D	1x 8"D	2x 8"D	2x 8"D	2x 8"D
4	11 21/32"	6 31/64"	7 21/64"	1x 8"D	1x 8"D	2x 8"D	2x 8"D	2x 8"D

PLSD-T Plenum With Top Connection



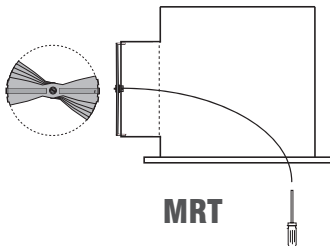
Slots	H	B	N	D1 (L ≤ 20")	D1 (L ≤ 40")	D1 (L ≤ 48")	D1 (L ≤ 60")	D1 (L ≤ 78")
1	8"	1 27/32"	6 7/8"	1x 6"D	1x 6"D	1x 6"D	1x 6"D	2x 6"D
2	8"	3 25/64"	6 7/8"	1x 6"D	1x 6"D	1x 6"D	2x 6"D	2x 6"D
3	10"	4 15/16"	8 7/8"	1x 8"D	1x 8"D	2x 8"D	2x 8"D	2x 8"D
4	10"	6 31/64"	8 7/8"	1x 8"D	1x 8"D	2x 8"D	2x 8"D	2x 8"D

Integrated Air Volume Dampers



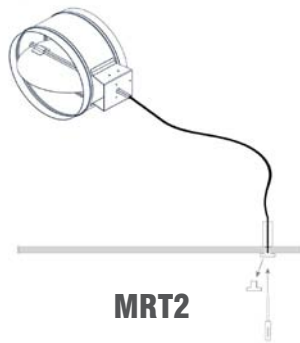
R

Perforated damper + air equalizer



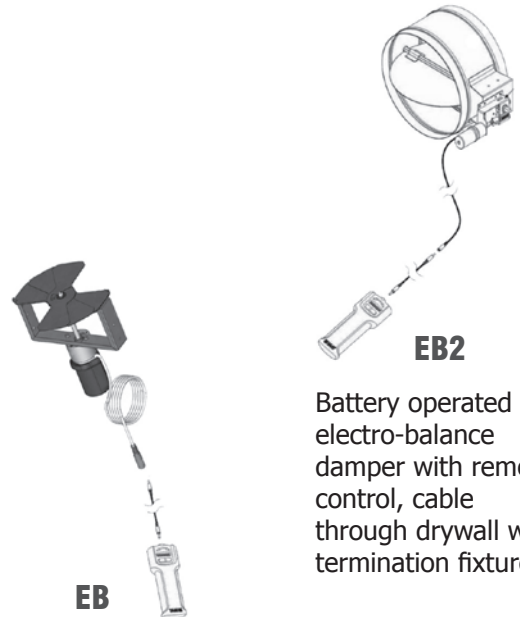
MRT

Manually operated damper, cable inside the plenum, adjustment through face



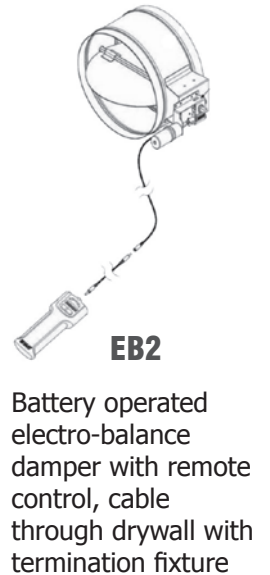
MRT2

Manually operated damper, cable through drywall with termination fixture



EB

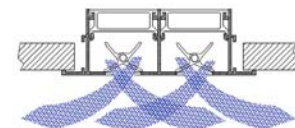
Battery operated electro-balance damper with remote control, cable through face



EB2

Battery operated electro-balance damper with remote control, cable through drywall with termination fixture

LSD Performance Data - 2 Way Alternate



1 Slot	CFM / Linear Foot	5	10	15	20	25	30	35	40
	Pressure Loss (in.w.g.)	0.004	0.016	0.036	0.064	0.098	0.141	0.192	0.25
	NC	-	-	17	26	34	40	45	49
	Throw (ft) - Coanda Effect	1-1-2	2-3-4	2-4-6	3-5-8	4-7-10	5-8-12	6-10-14	7-11-16
	Throw (ft) - No Ceiling Effect	1-1-2	1-2-3	2-3-5	2-4-6	3-5-8	4-6-9	4-7-11	5-8-12
2 Slots	CFM / Linear Foot	10	20	30	40	50	60	70	80
	Pressure Loss (in.w.g.)	0.005	0.02	0.045	0.08	0.124	0.179	0.241	0.315
	NC	-	-	15	24	30	36	41	45
	Throw (ft) - Coanda Effect	1-1-2	2-3-4	3-4-7	4-6-9	4-7-11	5-9-13	6-10-16	7-12-18
	Throw (ft) - No Ceiling Effect	1-1-2	1-2-3	2-3-5	3-4-7	3-6-8	4-7-10	5-8-12	5-9-13
3 Slots	CFM / Linear Foot	15	30	45	60	75	90	105	120
	Pressure Loss (in.w.g.)	0.006	0.024	0.054	0.095	0.148	0.212	0.288	0.375
	NC	-	-	17	27	35	41	47	52
	Throw (ft) - Coanda Effect	1-2-2	2-3-5	3-5-7	4-7-10	5-8-12	6-10-15	7-12-17	8-13-20
	Throw (ft) - No Ceiling Effect	1-1-2	1-2-4	2-4-6	3-5-7	4-6-9	4-7-11	5-9-13	6-10-15
4 Slots	CFM / Linear Foot	20	40	60	80	100	120	140	160
	Pressure Loss (in.w.g.)	0.008	0.031	0.068	0.12	0.188	0.269	0.365	0.476
	NC	-	-	16	25	33	38	43	48
	Throw (ft) - Coanda Effect	1-2-3	2-4-6	3-6-9	5-8-12	6-10-14	7-12-17	8-14-20	9-16-23
	Throw (ft) - No Ceiling Effect	1-1-2	2-3-4	3-4-6	3-6-9	4-7-11	5-9-13	6-10-15	7-12-17

- NC value based on 10 db room attenuation

- Horizontal Throw values are based on isothermal air and terminal velocities of **100 fpm, 60 fpm and 40 fpm** respectively

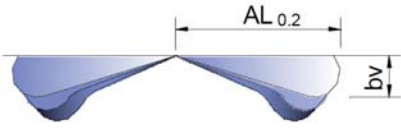
Noise and Pressure Loss Correction Factors Based on Length and Damper Opening													
		L = 20"			L = 40"			L = 48"			L > 60"		
Damper Opening %		100%	50%	0%	100%	50%	0%	100%	50%	0%	100%	50%	0%
1 Slot	Pressure Loss	0.95	2.35	3.15	1	1.4	2.2	1	1.4	2.2	1.1	2.5	3.3
	NC	-6	-3	-3.7	0	+0.8	+0.4	+1	+1.7	+1.2	-2.1	-0.4	-1.9
2 Slots	Pressure Loss	0.98	2.48	3.25	1	1.5	2.3	1	1.5	2.3	1.2	2.7	3.5
	NC	-3.7	-3.4	-2.9	0	+0.6	+0.6	+2.4	+3.3	+3.2	-0.5	+0.8	+0.9
3 Slots	Pressure Loss	0.96	2.26	3.36	1	1.3	2.4	1	1.3	2.4	1.3	2.4	3.5
	NC	-6.9	-6.3	-5.9	0	+0.9	+0.5	-3	-2.9	-3	-1.8	-1.5	-1.6
4 Slots	Pressure Loss	0.95	2.35	3.05	1	1.4	2.1	1	1.4	2.1	1.1	2.5	3.2
	NC	-3.4	-1.6	-2.4	0	+1.6	+1.2	-2	-1.4	-1.5	-2	-1.3	-1.5

Multiply Pressure Loss values, add or subtract NC values

Throw Correction Factors Based on Length				
	L = 20"	L = 40"	L = 48"	L > 60"
1 Slot	0.71	1	1.2	1.43
2 Slots	0.73	1	1.27	1.34
3 Slots	0.74	1	1.17	1.22
4 Slots	0.75	1	1.14	1.19

Multiply throw values with correction factor

Delta T Correction Factors		
Δ T (F)	Kh	KI
0	0.05	1
-2	0.056	0.965
-4	0.063	0.925
-6	0.071	0.89
-8	0.079	0.865
-10	0.09	0.835
-12	0.1	0.82
-15	0.12	0.78
-18	0.14	0.75



$bv = kh \times \text{Throw}$

$\text{Throw}'(\Delta T) = KI \times \text{Throw}$

Kh = Correction Factor for Vertical Diffusion
 KI = Throw Correction Factor
 AL_{0.2} = Distance at which velocity reaches 40 fpm

Induction Ratio				
Throw (ft)	1 Slot	2 Slots	3 Slots	4 Slots
4	8	7	6	5
6	14	12	9	8
8	18	14	12	10
10	22	18	15	13
15	33	27	24	18
20	44	36	31	26
25	55	46	38	33
30	66	55	46	39

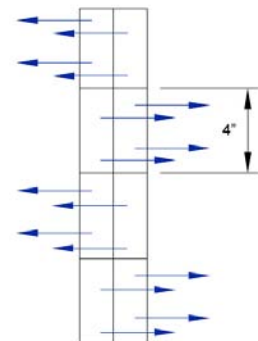
induced room air = supplied cfm * i

induced room air = cfm mixed for given throw

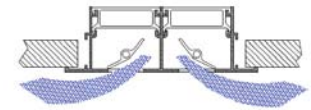
Temperature Difference Ratio				
Throw (ft)	1 Slot	2 Slots	3 Slots	4 Slots
4	0.082	0.115	0.14	0.18
6	0.065	0.088	0.12	0.135
8	0.057	0.079	0.097	0.12
10	0.051	0.07	0.09	1.05
15	0.043	0.058	0.75	0.09
20	0.038	0.05	0.065	0.078
25	0.034	0.046	0.057	0.07
30	0.031	0.043	0.054	0.065

Delta T (Throw) = Delta T (Supply) * Delta T Ratio

Delta T (Supply) = T (Room) - T (Supply)
 Delta T (Throw) = T (Room) - T (Throw)



LSD Performance Data - 2 Way



2 Slots	CFM / Linear Foot	10	20	30	40	50	60	70	80
	Pressure Loss (in.w.g.)	0.005	0.02	0.045	0.08	0.124	0.179	0.241	0.315
	NC	-	-	15	24	30	36	41	45
	Throw (ft) - Coanda Effect	1-2-3	3-4-6	4-6-9	5-8-13	6-11-16	8-13-19	9-15-22	10-17-26
	Throw (ft) - No Ceiling Effect	1-2-2	2-3-5	3-5-7	4-6-10	5-8-12	6-10-14	7-11-17	8-13-19
4 Slots	CFM / Linear Foot	20	40	60	80	100	120	140	160
	Pressure Loss (in.w.g.)	0.008	0.031	0.068	0.12	0.188	0.269	0.365	0.476
	NC	-	-	16	25	33	38	43	48
	Throw (ft) - Coanda Effect	2-3-4	3-6-8	5-8-13	7-11-17	8-14-21	10-17-25	12-20-30	14-23-34
	Throw (ft) - No Ceiling Effect	1-2-3	3-4-6	4-6-9	5-8-13	6-11-16	8-13-19	9-15-22	10-17-26

- NC value based on 10 db room attenuation

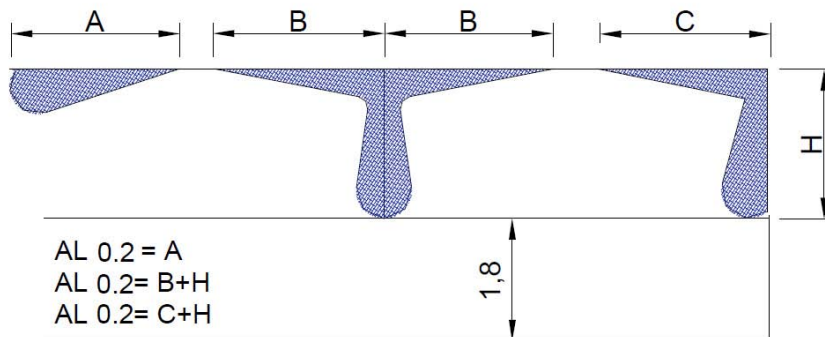
- Horizontal Throw values are based on isothermal air and terminal velocities of **100 fpm, 60 fpm and 40 fpm** respectively

Noise and Pressure Loss Correction Factors Based on Length and Damper Opening													
		L = 20"			L = 40"			L = 48"			L > 60"		
Damper Opening %		100%	50%	0%	100%	50%	0%	100%	50%	0%	100%	50%	0%
2 Slots	Pressure Loss	0.98	2.48	3.25	1	1.5	2.3	1	1.5	2.3	1.2	2.7	3.5
	NC	-3.9	-3.5	-3	0	+0.6	+0.6	+2.3	+3.2	+3.1	-0.3	+0.9	+1.1
4 Slots	Pressure Loss	0.95	2.35	3.05	1	1.4	2.1	1	1.4	2.1	1.1	2.5	3.2
	NC	-3.6	-1.5	-2.5	0	+1.5	+1.1	-1.5	-1.3	-1.4	-1.8	-1.2	-1.3

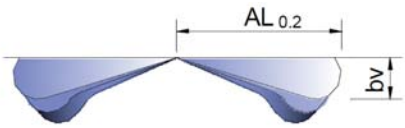
Multiply Pressure Loss values, add or subtract NC values

Throw Correction Factors Based on Length				
	L = 20"	L = 40"	L = 48"	L > 60"
2 Slots	0.6	1	1.17	1.3
4 Slots	0.767	1	1.2	1.17

Multiply throw values with correction factor



Delta T Correction Factors		
Δ T (F)	Kh	KI
0	0.05	1
-2	0.056	0.95
-4	0.062	0.92
-6	0.069	0.88
-8	0.077	0.85
-10	0.087	0.82
-12	0.096	0.8
-15	0.12	0.77
-18	0.135	0.73



$bv = kh \times \text{Throw}$

$\text{Throw}'(\Delta T) = KI \times \text{Throw}$

Kh = Correction Factor for Vertical Diffusion
 KI = Throw Correction Factor
 AL_{0.2} = Distance at which velocity reaches 40 fpm

Induction Ratio		
Throw (ft)	2 Slots	4 Slots
4	3	4
6	7	6
8	9	7
10	11	9
15	16	13
20	21	17
25	27	21
30	31	26

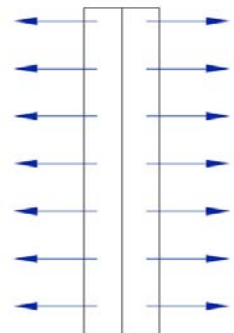
induced room air = supplied cfm * i

induced room air = cfm mixed for given throw

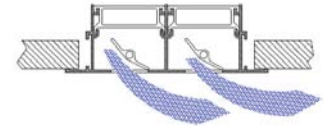
Temperature Difference Ratio		
Throw (ft)	2 Slots	4 Slots
4	0.26	0.35
6	0.19	0.28
8	0.17	0.24
10	0.15	0.22
15	0.125	0.175
20	0.105	0.145
25	0.093	0.135
30	0.085	0.125

Delta T (Throw) = Delta T (Supply) * Delta T Ratio

Delta T (Supply) = T (Room) - T (Supply)
 Delta T (Throw) = T (Room) - T (Throw)



LSD Performance Data - 1 Way



1 Slot	CFM / Linear Foot	5	10	15	20	25	30	35	40
	Pressure Loss (in.w.g.)	0.004	0.016	0.036	0.064	0.098	0.141	0.192	0.25
	NC	-	-	17	26	34	40	45	49
	Throw (ft) - Coanda Effect	2-3-4	3-5-8	5-8-12	7-11-17	8-14-21	10-17-25	12-19-29	13-22-33
	Throw (ft) - No Ceiling Effect	1-2-3	2-4-6	4-6-9	5-8-12	6-10-15	7-12-19	9-15-22	10-17-25
2 Slots	CFM / Linear Foot	10	20	30	40	50	60	70	80
	Pressure Loss (in.w.g.)	0.005	0.02	0.045	0.08	0.124	0.179	0.241	0.315
	NC	-	-	15	24	31	37	41	45
	Throw (ft) - Coanda Effect	2-3-4	4-6-9	5-9-14	7-12-18	9-15-23	11-18-28	13-22-32	15-25-37
	Throw (ft) - No Ceiling Effect	1-2-3	3-5-7	4-7-10	5-9-14	7-11-17	8-14-21	10-16-24	11-19-28
3 Slots	CFM / Linear Foot	15	30	45	60	75	90	105	120
	Pressure Loss (in.w.g.)	0.006	0.024	0.054	0.095	0.148	0.212	0.288	0.375
	NC	-	-	17	27	35	41	47	52
	Throw (ft) - Coanda Effect	2-3-5	4-7-10	6-10-16	8-14-21	10-18-26	13-21-32	15-25-37	17-28-42
	Throw (ft) - No Ceiling Effect	2-3-4	3-5-8	5-8-12	6-10-16	8-13-20	10-16-24	11-19-28	13-21-32
4 Slots	CFM / Linear Foot	20	40	60	80	100	120	140	160
	Pressure Loss (in.w.g.)	0.008	0.031	0.068	0.12	0.188	0.269	0.365	0.476
	NC	-	-	17	26	33	39	44	48
	Throw (ft) - Coanda Effect	2-4-6	5-8-11	7-12-17	9-16-23	12-19-29	14-23-35	16-27-41	19-31-47
	Throw (ft) - No Ceiling Effect	2-3-4	3-6-9	5-9-13	7-12-17	9-15-22	11-18-26	12-21-31	14-24-35

- NC value based on 10 db room attenuation

- Horizontal Throw values are based on isothermal air and terminal velocities of **100 fpm, 60 fpm and 40 fpm** respectively

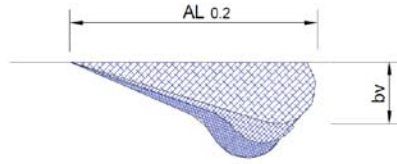
Noise and Pressure Loss Correction Factors Based on Length and Damper Opening													
		L = 20"			L = 40"			L = 48"			L > 60"		
Damper Opening %		100%	50%	0%	100%	50%	0%	100%	50%	0%	100%	50%	0%
1 Slot	Pressure Loss	0.95	2.35	3.15	1	1.4	2.2	1	1.4	2.2	1.1	2.5	3.3
	NC	-6	-3	-3.6	0	+0.8	+0.4	+1.2	+1.9	+1.4	-2	0	-1.6
2 Slots	Pressure Loss	0.98	2.48	3.25	1	1.5	2.3	1	1.5	2.3	1.2	2.7	3.5
	NC	-4	-3.6	-3.1	0	+0.6	+0.6	+2.3	+3.2	+3.1	0	+1	+1.2
3 Slots	Pressure Loss	0.96	2.26	3.36	1	1.3	2.4	1	1.3	2.4	1.3	2.4	3.5
	NC	-7	-6	-6	0	+0.9	+0.5	-2.7	-2.6	-2.7	-1.4	-1.1	-1.1
4 Slots	Pressure Loss	0.95	2.35	3.05	1	1.4	2.1	1	1.4	2.1	1.1	2.5	3.2
	NC	-3.4	-1.4	-2.5	0	+1.5	+1.2	-1.8	-1.1	-1.2	-1.7	-1	-1.1

Multiply Pressure Loss values, add or subtract NC values

Throw Correction Factors Based on Length				
	L = 20"	L = 40"	L = 48"	L > 60"
1 Slot	0.71	1	1.07	1.14
2 Slots	0.73	1	1.09	1.15
3 Slots	0.74	1	1.11	1.2
4 Slots	0.75	1	1.25	1.25

Multiply throw values with correction factor

Delta T Correction Factors		
Δ T (F)	Kh	KI
0	0.05	1
-2	0.056	0.96
-4	0.063	0.925
-6	0.071	0.89
-8	0.079	0.865
-10	0.09	0.83
-12	0.1	0.82
-15	0.12	0.78
-18	0.14	0.75



$bv = kh \times \text{Throw}$

$\text{Throw}'(\Delta T) = KI \times \text{Throw}$

Kh = Correction Factor for Vertical Diffusion
 KI = Throw Correction Factor
 AL_{0.2} = Distance at which velocity reaches 40 fpm

Induction Ratio				
Throw (ft)	1 Slot	2 Slots	3 Slots	4 Slots
4	5	3	5	2
6	8	7	6	3
8	10	8	7	6
10	12	10	9	7
15	17	14	12	10
20	21	18	15	13
25	25	22	19	15
30	30	27	23	18

$\text{induced room air} = \text{supplied cfm} * i$

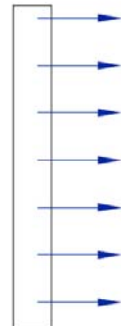
induced room air = cfm mixed for given throw

Temperature Difference Ratio				
Throw (ft)	1 Slot	2 Slots	3 Slots	4 Slots
4	0.18	0.26	0.32	0.37
6	0.145	0.19	0.25	0.28
8	0.125	0.17	0.22	0.24
10	0.115	0.15	0.19	0.22
15	0.09	0.125	0.155	0.175
20	0.078	0.105	0.14	0.145
25	0.069	0.094	0.125	0.135
30	0.062	0.085	0.11	0.125

$\Delta T (\text{Throw}) = \Delta T (\text{Supply}) * \Delta T \text{ Ratio}$

$\Delta T (\text{Supply}) = T (\text{Room}) - T (\text{Supply})$

$\Delta T (\text{Throw}) = T (\text{Room}) - T (\text{Throw})$



LSD Performance Data - Vertical



1 Slot	CFM / Linear Foot	5	10	15	20	25	30	35	40
	Pressure Loss (in.w.g.)	0.004	0.016	0.036	0.064	0.098	0.141	0.192	0.25
	NC	-	-	17	26	34	40	45	49
	Throw (ft) - Coanda Effect	1-2-2	2-3-5	3-5-7	4-6-10	5-8-12	6-10-14	7-11-17	8-13-19
	Throw (ft) - No Ceiling Effect	1-1-2	1-2-4	2-4-5	3-5-7	4-6-9	4-7-11	5-8-13	6-10-15
2 Slots	CFM / Linear Foot	10	20	30	40	50	60	70	80
	Pressure Loss (in.w.g.)	0.005	0.02	0.045	0.08	0.124	0.179	0.241	0.315
	NC	-	-	15	24	31	37	41	45
	Throw (ft) - Coanda Effect	1-2-3	2-4-5	3-5-8	4-7-11	5-9-13	6-11-16	8-13-19	9-14-22
	Throw (ft) - No Ceiling Effect	1-1-2	2-3-4	2-4-6	3-5-8	4-7-10	5-8-12	6-9-14	6-11-16
3 Slots	CFM / Linear Foot	15	30	45	60	75	90	105	120
	Pressure Loss (in.w.g.)	0.006	0.024	0.054	0.095	0.148	0.212	0.288	0.375
	NC	-	-	17	27	35	41	47	52
	Throw (ft) - Coanda Effect	1-2-3	2-4-6	4-6-9	5-8-12	6-10-15	7-12-18	8-14-21	10-16-24
	Throw (ft) - No Ceiling Effect	1-1-2	2-3-4	3-4-7	4-6-9	4-7-11	5-9-13	6-10-16	7-12-18
4 Slots	CFM / Linear Foot	20	40	60	80	100	120	140	160
	Pressure Loss (in.w.g.)	0.008	0.031	0.068	0.12	0.188	0.269	0.365	0.476
	NC	-	-	17	26	33	39	44	48
	Throw (ft) - Coanda Effect	1-2-3	3-5-7	4-7-11	6-9-14	7-12-18	9-14-21	10-17-25	11-19-29
	Throw (ft) - No Ceiling Effect	1-2-3	2-4-5	3-5-8	4-7-11	5-9-13	6-11-16	8-13-19	9-14-22

- NC value based on 10 db room attenuation

- Horizontal Throw values are based on isothermal air and terminal velocities of **100 fpm, 60 fpm and 40 fpm** respectively

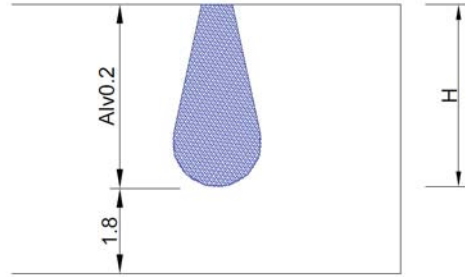
Noise and Pressure Loss Correction Factors Based on Length and Damper Opening													
		L = 20"			L = 40"			L = 48"			L > 60"		
Damper Opening %		100%	50%	0%	100%	50%	0%	100%	50%	0%	100%	50%	0%
1 Slot	Pressure Loss	0.95	2.35	3.15	1	1.4	2.2	1	1.4	2.2	1.1	2.5	3.3
	NC	-6.1	-3.1	-3.6	0	+0.8	+0.4	+0.9	+1.6	+1.1	-2.1	-0.5	-1.9
2 Slots	Pressure Loss	0.98	2.48	3.25	1	1.5	2.3	1	1.5	2.3	1.2	2.7	3.5
	NC	-3.8	-3.4	-2.9	0	+0.6	+0.6	+2.4	+3.3	+3.2	-0.3	+0.9	+1.1
3 Slots	Pressure Loss	0.96	2.26	3.36	1	1.3	2.4	1	1.3	2.4	1.3	2.4	3.5
	NC	-7	-6.3	-6	0	+0.9	+0.5	-2.8	-2.8	-2.9	-1.5	-1.2	-1.3
4 Slots	Pressure Loss	0.95	2.35	3.05	1	1.4	2.1	1	1.4	2.1	1.1	2.5	3.2
	NC	-3.4	-1.5	-2.5	0	+1.6	+1.2	-1.9	-1.3	-1.4	-1.9	-1.2	-1.3

Multiply Pressure Loss values, add or subtract NC values

Throw Correction Factors Based on Length				
	L = 20"	L = 40"	L = 48"	L > 60"
1 Slot	0.7	1	1.1	1.2
2 Slots	0.72	1	1.15	1.25
3 Slots	0.72	1	1.12	1.2
4 Slots	0.74	1	1.25	1.25

Multiply throw values with correction factor

Delta T Correction Factor				
ΔT (F)	KI 1 Slot	KI 2 Slots	KI 3 Slots	KI 4 Slots
0	1	1	1	1
+9	0.75	0.76	0.77	0.8
+18	0.64	0.65	0.66	0.64

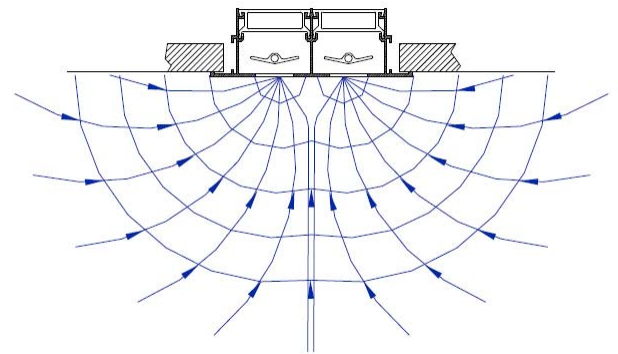


$Throw'(\Delta T) = KI \times Throw$

KI = Correction Factor for Vertical Diffusion
 AL_{0.2} = Distance at which velocity reaches 40 fpm



LSD Performance Data - Return Air



1 Slot	CFM / Linear Foot	10	15	20	25	30	35	40
	Pressure Loss (in.w.g.)	0.02	0.048	0.072	0.12	0.177	0.221	0.301
	NC	-	22	28	38	> 40	> 40	> 40
2 Slots	CFM / Linear Foot	20	30	40	50	60	70	80
	Pressure Loss (in.w.g.)	0.028	0.052	0.1	0.157	0.229	0.301	0.402
	NC	-	20	32	39	> 40	> 40	> 40
3 Slots	CFM / Linear Foot	20	30	40	50	60	70	80
	Pressure Loss (in.w.g.)	0.012	0.032	0.06	0.088	0.129	0.185	0.241
	NC	-	-	19	26	33	39	> 40
4 Slots	CFM / Linear Foot	30	45	60	75	90	105	120
	Pressure Loss (in.w.g.)	0.028	0.056	0.096	0.137	0.209	0.281	0.402
	NC	-	16	24	32	38	> 40	> 40

NC value based on 10 db room attenuation

Noise and Pressure Loss Correction Factors Based on Length and Damper Opening													
		L = 20"			L = 40"			L = 48"			L > 60"		
Damper Opening %		100%	50%	0%	100%	50%	0%	100%	50%	0%	100%	50%	0%
1 Slot	Pressure Loss	0.88	2.28	3	1	1.4	2.2	1.3	2.7	3.5	1.5	2.9	3.7
	NC	0	3	5	0	4	7	0	3	5	0	3	7
2 Slots	Pressure Loss	0.85	2.35	3.15	1	1.5	2.3	1.4	2.9	3.7	1.66	3.16	3.96
	NC	0	3	5	0	4	7	0	4	7	0	3	8
3 Slots	Pressure Loss	0.8	2.1	3.2	1	1.3	2.4	1.2	2.5	3.6	1.4	2.7	3.8
	NC	0	4	5	0	5	8	0	5	8	0	4	8
4 Slots	Pressure Loss	0.7	2.1	2.8	1	1.4	2.1	1.3	2.7	3.4	1.5	2.9	3.6
	NC	0	4	5	0	4	8	0	5	8	0	4	8

Multiply Pressure Loss values, add or subtract NC values

How to Specify LSD

Supply and mounting of High Induction Linear Slot Diffuser with 4" long adjustable curved blades model LSD. Constructed from extruded aluminum with PVC blades, powder coated in white M9016. Shall be supplied in 2 Way Alternate airflow pattern standard configuration for higher induction rate. Shall be supplied and installed with PLSD high performance plenum box featuring PL attachment system for easy and secure installation. By Effectiv HVAC / MADEL.

How to Order LSD Series

LSD	-AR	-PL	-AB	2	48	/M9016	+ PLSD	-AL	-R	-EQ		
End Borders	Mounting System	Sectored Vanes Color	Number of Slots	Length	Finish	Plenum	Insulation	Damper			EQ	Air Equalizing Grid
											R	Perforated Damper + Air Equalizer
											MRT	Manual Cable Thru Face
											MRT2	Manual Cable Thru Drywall
											EB	Remote Controlled, Thru Face
											EB2	Remote Controlled, Thru Drywall
											AL	1/2" Accoustical Liner
											R6	2" R6 Thermal Insulation
											PLSD	PLSD Plenum, Side Connection
											PLSD-T	PLSD Plenum, Top Connection
				/M9016	Powder Coated White RAL9016							
				/AA	Anodized in Matt Silver, Black Vanes							
				/RAL	Other RAL: please specify							
				48	Lenght in inches, Max 78"							
				1	1 Slot							
				2	2 Slots							
				3	3 Slots							
				4	4 Slots							
				AB	White Sectored Vanes							
				AN	Black Sectored Vanes							
				PL	Concealed Spring Clips (req. PLSD)							
				PM	Concealed U Clip and Long Screws							
				T	Visible Screws							
				AR	Two End Borders							
				ARI	Left End Border Only							
				ARD	Right End Border Only							
				INT	Interior (No End Borders)							



NEX

Concave Elements Swirl Diffuser













COMFORT THROUGH RELIABILITY

EFFECTIVE
HVAC  TM

Rev 06-01-2020

NEX SERIES

Concave Elements Swirl Diffusers

-  Fixed and reliable high induction swirl pattern
-  Architecturally appealing - choice of concave elements color
-  Multiple jets of various size to better handle velocity variations
-  High tolerance to air entering the diffuser at an angle
-  High air flow at relatively low sound power
-  High tolerance to temperature and humidity variations
-  High induction causes rapid reduction of air velocity and temperature difference
-  Square and round shapes available
-  Lay-in, duct mounted or drywall mounted, suitable for all ceilings
-  Heavy-gauge steel face construction with ABS elements
-  Matching high-performance PERFAIR plenums, choice of top or side connection
-  PERFAIR have built-in anti-seismic attachment tabs and air equalizer/volume damper



NEX-S & NEX-C
by MADEL®



Some Applications



Ideal when combination of comfort, high cfm, low noise and appealing look is required



Ideal when reliable performance is required despite variable or uncertain conditions



Restaurants, bars, hotels, stores, lobbies



Offices, including ones with closed work spaces



Art galleries



Childcare



Schools and classrooms



Meeting rooms



Clean rooms



Multi-purpose rooms



NEX Concave Elements Swirl Diffusers by EffectiV HVAC™ and MADEL® are designed to be applied in air conditioning, ventilation and heating systems. The design of unique concave elements of diffusion in radial arrangement supplies the air in a swirl pattern while leveraging the coanda effect. The resulting airflow is more evenly spread and its high induction ratio helps reduce stratification.

NEX Concave Elements, combined with a PERFAIR high-performance plenum mixing box, emit a uniform airflow throughout the passage section despite variations in supplied air temperature and velocity, as well as non-ideal duct installation.

The NEX series diffusers admit a flow variation of 60% while keeping the air stream stable. For optimal conditions, NEX diffusers may be used in ceilings 8.5 up to 13 feet (2.6 up to 4 meters) high, with a temperature differential up to 22°F (12°C).

The air pattern reliability, high level of induction rate and reduced air stratification allow for designs with a much higher level of comfort and provide opportunities for significant energy savings.

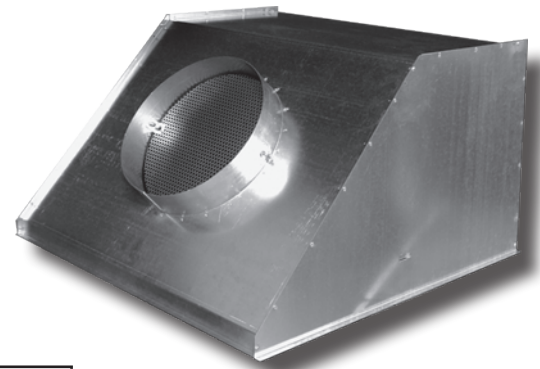
The face and plenum box are ordered separately and attached together with a screw through the face which is fixed in the plenum crossbar.

NEX Concave Elements are made of ABS tested in accordance to UL 94 HB *Standard for Tests for Flammability of Plastic Materials for Parts in Devices and Appliances - Horizontal Burning Test*

Plenum Selection

NEX swirl diffusers are available with a wide selection of PERFAIR plenums to suit any type of application. PERFAIR-SS with side connection is the most popular plenum for Square Diffusers and only requires 14" of ceiling space.

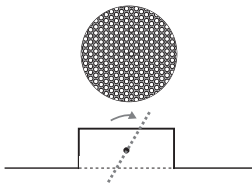
All PERFAIR plenums come with antiseismic tabs and perforated air volume damper / air equalizer.



PERFAIR-SS

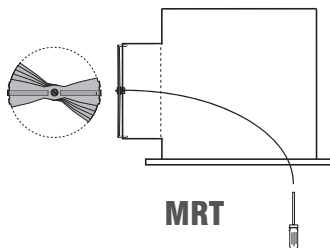
Plenum Model	Face Type	Connection	Recommended For
PERFAIR-CS	Round	Side	False or closed ceiling
PERFAIR-CT	Round	Top	Open ceiling with visible duct coming from top
PERFAIR-SS	Square	Side, Angle	False or closed ceiling
PERFAIR-SSS	Square	Side	Open ceiling with visible duct coming from side
PERFAIR-ST	Square	Top	Open ceiling with visible duct coming from top
PERFAIR-XS	Square	Side, Oval	Very limited ceiling space (6" min)
PERFAIR-XSS	Square	Side, Rect.	Very limited ceiling space (5" min)

Integrated Air Volume Dampers



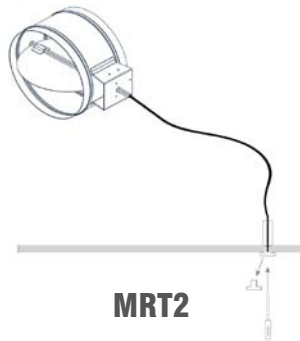
R

Perforated damper + air equalizer (Standard)



MRT

Manually operated damper, cable inside the plenum, adjustment through face



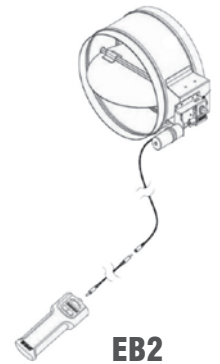
MRT2

Manually operated damper, cable through wall with termination fixture



EB

Battery operated electro-balance damper with remote control, cable through face



EB2

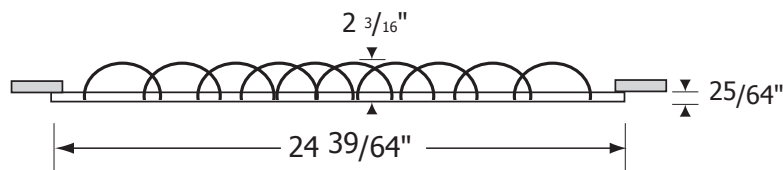
Battery operated electro-balance damper with remote control, cable through wall with termination fixture

NEX-C Round Diffuser, Radial Vanes



NEX-C

Dim	Free Area (sqf)	Min cfm	Max cfm
25" (625mm)	0.47	200	500



NEX-C + PERFAIR or PLXOC-R Performance Data

24 5/8" Diameter Face (Imperial)

625mm Diameter Face (Metric)

Neck Size (inches)	Neck (fpm) Velocity	400	500	600	700	800	1000	1200	1400	1600	
	Velocity Pressure (H2O)		0.01	0.016	0.022	0.031	0.041	.062	0.09	0.122	0.16
6	CFM	79	98	118	137	157	196	236	275	314	
	Pressure Loss (in.w.g.)		-	-	-	-	0.01	0.01	0.01	0.01	
	NC		< 15	< 15	< 15	< 15	< 15	17	20	22	
	Throw (ft) - Coanda Effect		1-2-4	2-3-4	2-3-5	2-4-6	3-5-7	4-6-9	4-7-10	5-8-12	
	Throw (ft) - No Ceiling Effect		1-2-3	1-2-3	2-3-4	2-3-4	2-4-6	3-4-7	3-5-8	4-6-9	
8	CFM	140	175	209	244	279	349	419	489	559	
	Pressure Loss (in.w.g.)		-	-	0.01	0.01	0.01	0.02	0.02	0.03	0.04
	NC		< 15	< 15	< 15	17	20	24	28	31	34
	Throw (ft) - Coanda Effect		2-3-5	3-4-7	3-5-8	4-6-9	4-7-11	5-9-13	6-10-16	7-12-18	8-14-21
	Throw (ft) - No Ceiling Effect		2-3-4	2-3-5	2-4-6	3-5-7	3-5-8	4-7-10	4-8-12	6-9-14	6-10-16
10	CFM	218	273	327	382	436	545	654			
	Pressure Loss (in.w.g.)		0.01	0.01	0.014	0.018	0.024	0.036	0.052		
	NC		15	20	23	26	29	33	37		
	Throw (ft) - Coanda Effect		3-5-8	4-7-10	5-8-12	6-10-14	7-11-16	8-14-21	10-16-25		
	Throw (ft) - No Ceiling Effect		2-4-6	3-5-8	4-6-9	4-7-11	5-8-12	6-10-15	7-12-19		
12	CFM	314	393	471	550	628					
	Pressure Loss (in.w.g.)		0.01	0.017	0.03	0.04	0.05				
	NC		22	27	30	33	36				
	Throw (ft) - Coanda Effect		5-8-12	6-10-15	7-12-18	8-14-21	9-15-23				
	Throw (ft) - No Ceiling Effect		4-6-9	4-7-11	5-9-13	6-10-16	7-11-17				

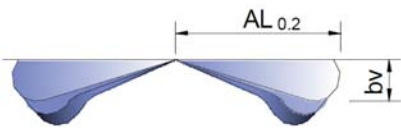
Performance Notes

- NC Value based on 10 db room attenuation.
- Throw Values are based on isothermal air and terminal velocities of **100 fpm, 60 fpm and 40 fpm** respectively.

NEX-C + PERFAIR or PLXOC-R Performance Data (continued)

Damper Correction Factor		100% Open	50% Open	10% Open
25" D (625mm)	Pressure Loss	x1	x1.4	x4
	NC	+2	+2.74	+1.5

Delta T Correction Factors		
Δ T (F)	Kh	KI
0	.037	1
-2	.041	.945
-4	.046	.905
-6	.052	.87
-8	.056	.835
-10	.065	.82
-12	.071	.79
-15	.084	.78



$bv = kh \times \text{Throw}$

$\text{Throw}'(\Delta T) = KI \times \text{Throw}$

Kh = Correction Factor for Vertical Diffusion
 KI = Throw Correction Factor
 AL_{0.2} = Distance at which velocity reaches 40 fpm

Ratios		
Throw (ft)	i	Delta T Ratio
4	5	0.12
6	9	0.068
8	13	0.051
10	16	0.04
15	26	0.027
20	38	0.02
25	47	0.016
30	60	-

induced room air = supplied cfm * i

induced room air = cfm mixed for given throw

Delta T (Throw) = Delta T (Supply) * Delta T Ratio

Delta T (Supply) = T (Room) - T (Supply)
 Delta T (Throw) = T (Room) - T (Throw)

How to Specify NEX-C

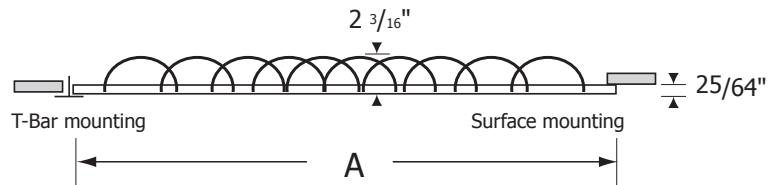
Supply and mounting of round high induction swirl diffuser with radial concave elements NEX-C, dimension 25 inches or 625 mm. Constructed from galvanised steel face panel powder coated in white M9016, with ABS elements. Shall be supplied and installed with PERFAIR high performance plenum box featuring integrated air equalizer and volume damper, security tabs, crossbar and long screw for easy face attachment. By Effectiv HVAC / MADEL.

NEX-S Square Diffuser, Radial Vanes



NEX-S

Dim A	Free Area (sqf)	CFM Min	CFM Max
12"x12" (299mm)	0.22	100	250
24"x24" (605mm)	0.47	200	500



NEX-S + PERFAIR or BOXSTAR Performance Data

12" x 12" Face (Imperial)

299mm x 299mm Face (Metric)

Neck Size (inches)	Neck (fpm) Velocity	400	500	600	700	800	1000	1200	1400	1600
	Velocity Pressure (H2O)		0.01	0.016	0.022	0.031	0.041	.062	0.09	0.122
5	CFM	55	68	82	95	109	136	164	191	218
	Pressure Loss (in.w.g.)	0.008	0.012	0.017	0.023	0.03	0.046	0.065	0.087	0.113
	NC	< 15	< 15	< 15	< 15	< 15	15	20	23	26
	Throw (ft) - coanda	1-2-3	2-3-4	2-3-5	2-4-5	2-4-6	3-5-8	4-6-9	4-7-11	5-8-12
6	CFM	79	98	118	137	157	196	236	275	314
	Pressure Loss (in.w.g.)	0.02	0.015	0.03	0.05	0.06	0.09	0.13	0.17	0.21
	NC	< 15	< 15	< 15	15	20	25	30	33	41
	Throw (ft) - coanda	2-3-4	2-4-5	3-4-7	3-5-8	4-6-9	4-7-11	5-9-13	6-10-15	7-11-17
8	CFM	140	175	209	244	279	349			
	Pressure Loss (in.w.g.)	0.05	0.07	0.1	0.14	0.18	0.24			
	NC	17	22	27	31	34	42			
	Throw (ft) - coanda	3-5-8	4-6-10	5-8-12	5-9-14	6-10-16	8-12-19			

Performance Notes

- NC Value based on 10 db room attenuation.
- Throw Values are based on isothermal air and terminal velocities of **100 fpm, 60 fpm and 40 fpm** respectively.
- No ceiling effect: multiply values by 0.7

NEX-S + PERFAIR or BOXSTAR Performance Data (continued)

24" x 24" Face (Imperial)

605mm x 605mm Face (Metric)

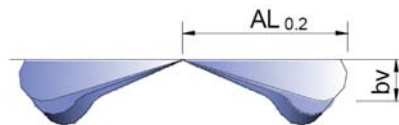
Neck Size (inches)	Neck (fpm) Velocity	400	500	600	700	800	1000	1200	1400	1600
	Velocity Pressure (H2O)	0.01	0.016	0.022	0.031	0.041	.062	0.09	0.122	0.16
6	CFM		98	118	137	157	196	236	275	314
	Pressure Loss (in.w.g.)		0.01	0.01	0.01	0.02	0.03	0.04	0.06	0.07
	NC		< 15	< 15	< 15	< 15	15	19	22	25
	Throw (ft) - coanda		1-2-4	2-3-4	2-3-5	2-4-6	3-5-7	4-6-9	4-7-10	5-8-12
8	CFM	140	175	209	244	279	349	419	489	559
	Pressure Loss (in.w.g.)	0.02	0.02	0.03	0.04	0.06	0.09	0.12	0.17	0.21
	NC	< 15	< 15	16	19	22	27	31	35	38
	Throw (ft) - coanda	2-3-5	3-4-7	3-5-8	4-6-9	4-7-11	5-9-13	6-10-16	7-12-18	8-14-21
10	CFM	218	273	327	382	436	545	654	764	
	Pressure Loss (in.w.g.)	0.036	0.055	0.077	0.104	0.133	0.205	0.29	0.389	
	NC	17	22	26	29	32	37	40	44	
	Throw (ft) - coanda	3-5-8	4-7-10	5-8-12	6-10-14	7-11-16	8-14-21	10-16-25	12-19-29	
12	CFM	314	393	471	550	628				
	Pressure Loss (in.w.g.)	0.07	0.11	0.15	0.21	0.27				
	NC	25	30	34	37	40				
	Throw (ft) - coanda	5-8-12	6-10-15	7-12-18	8-14-21	9-15-23				

Performance Notes

- NC Value based on 10 db room attenuation.
- Throw Values are based on isothermal air and terminal velocities of **100 fpm, 60 fpm and 40 fpm** respectively.
- No ceiling effect: multiply values by 0.7

Damper Correction Factor		100% Open	50% Open	10% Open
12"x12" (299mm)	Pressure Loss	x1	x1.2	x2.4
	NC	+1.6	+1.9	+1.1
24"x24" (605mm)	Pressure Loss	x1	x1.4	x4
	NC	+2	+2.74	+1.5

Delta T Correction Factors				
Δ T (F)	12"x 12" (299mm)		24"x 24" (605mm)	
	Kh	KI	Kh	KI
0	.037	1	.037	1
-2	.041	.945	.041	.945
-4	.046	.905	.046	.905
-6	.052	.87	.052	.87
-8	.056	.835	.056	.82
-10	.065	.82	.065	.82
-12	.071	.79	.071	.79
-15	.084	.78	.084	.78



$bv = kh \times \text{Throw}$

$\text{Throw}'(\Delta T) = KI \times \text{Throw}$

Kh = Correction Factor for Vertical Diffusion

KI = Throw Correction Factor

$AL_{0.2}$ = Distance at which velocity reaches 40 fpm

NEX-S + PERFAIR or BOXSTAR Performance Data (continued)

Ratios				
Distance (ft)	i (12")	i (24")	Delta T Ratio (12")	Delta T Ratio (24")
4	7	5	0.053	0.12
6	14	9	0.033	0.068
8	18	13	0.025	0.051
10	22	16	0.019	0.04
15	39	26	-	0.027
20	55	38	-	0.02
25	72	47	-	0.016
30	90	60	-	-

induced room air = supplied cfm * i

induced room air = cfm mixed for given throw

Delta T (Throw) = Delta T (Supply) * Delta T Ratio

Delta T (Supply) = T (Room) - T (Supply)
 Delta T (Throw) = T (Room) - T (Throw)

How to Specify NEX-S

Supply and mounting of square high induction swirl diffuser with concave elements model NEX-S. Constructed from galvanised steel face panel powder coated in white M9016, with ABS concave elements. Shall be supplied and installed with PERFAIR high performance plenum box featuring integrated air equalizer and volume damper, security tabs, crossbar and long screw for easy face attachment. By EffectiV HVAC / MADEL.



How to Order NEX Series

NEX- S 24 + PERFAIR-ST 24 10

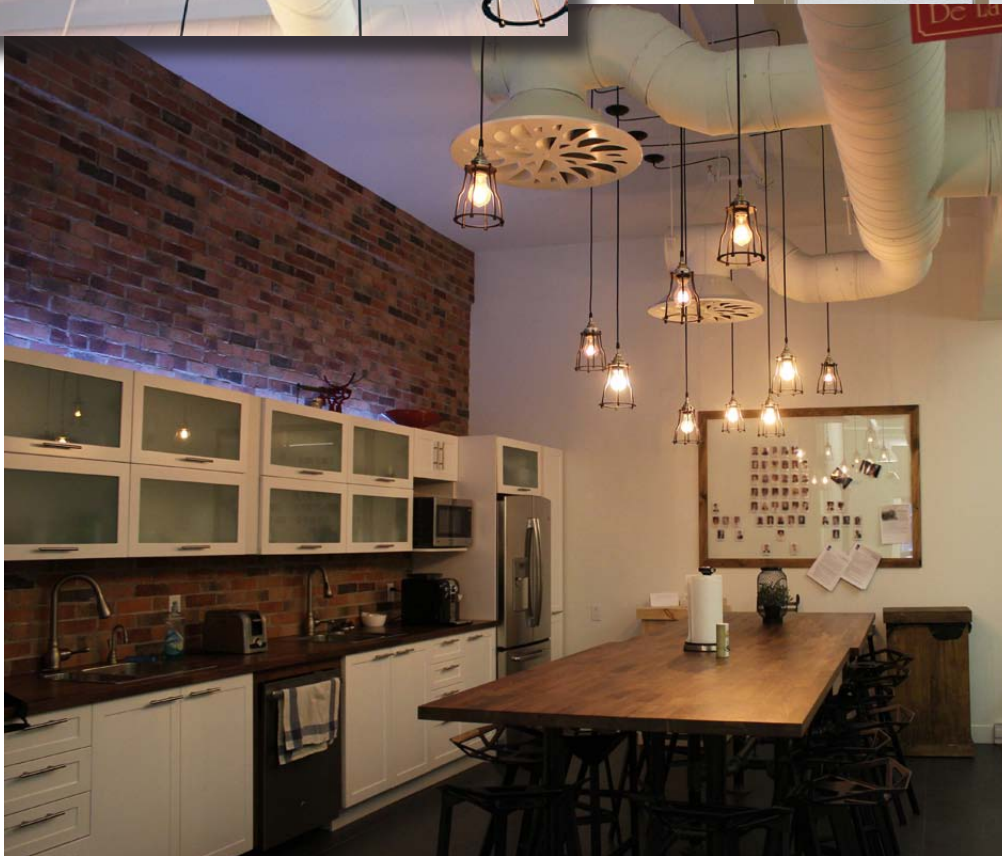
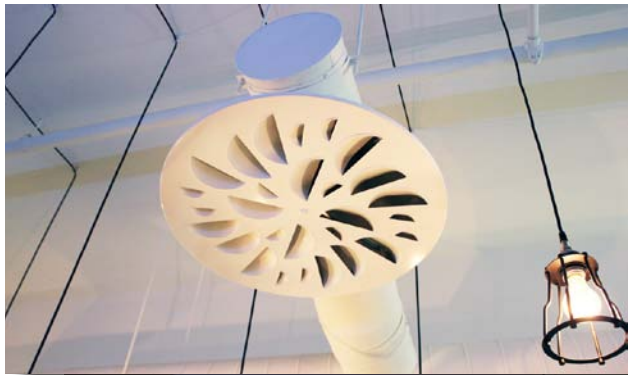
Plenum

Concave Elements Color

Face Dimension

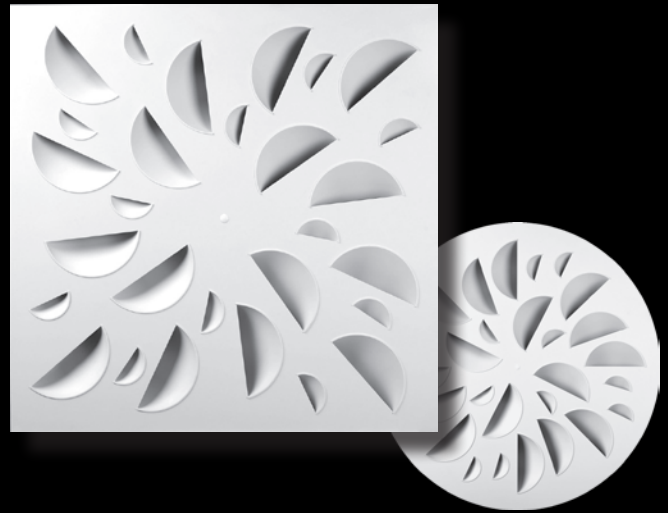
Model

Neck Diameter	6" 8", 10" or 12" D
Match Face Dim	Match Product Face
PERFAIR-CS	Round, Side Entry
PERFAIR-CT	Round, Top Entry
PERFAIR-SS	Square, Side Entry
PERFAIR-ST	Square, Top Entry
Std	White by default
/EN	Night
/EV	Pistachio Green
/EL	Lavender Blue
/ER	Red
12	12"x12" Square Face
24	24"x24" Square Face
25	25" Diameter Face
C	Round
S	Square



NEX

Concave Elements Swirl Diffusers



A picture is worth a thousand words, yet this revolutionary diffuser is more than just about the look. Its high induction swirl pattern, created by multiple jets, mixes supply air with room air more efficiently, ultimately providing a higher level of comfort in the room. Another great step in the new era of air distribution.

NEX STEP... PICK YOUR CONCAVE ELEMENTS COLOR



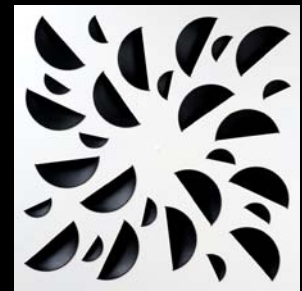
Pistachio Green



Lavender Blue



Red



Night

Available in square and circular shapes, NEX diffusers are suitable for suspended ceilings, closed ceilings and open ceilings. NEX can easily replace standard diffusers in existing buildings for instant look and comfort improvement.



Innovative Solutions by

EFFECTIVE
HVAC

TM

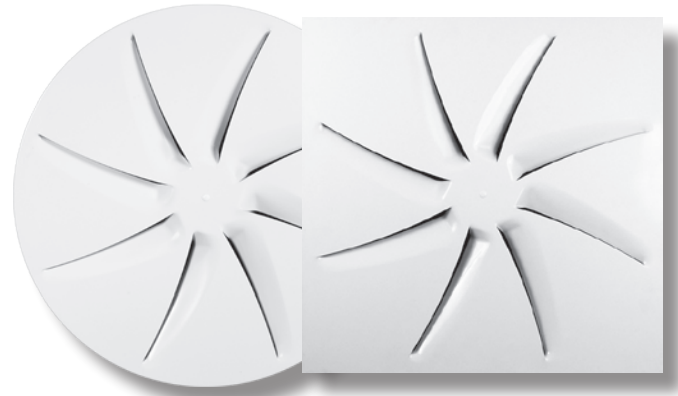


OTO
Curved Slot Swirl Diffusers













OTO SERIES

Curved Slot Swirl Diffusers



OTO-C & OTO-S
by MADEL®

-  Fixed and reliable high induction swirl pattern
-  High velocity swirl blade jets provide efficient mixing of supplied air with room air
-  High tolerance to air entering the diffuser at an angle
-  Architecturally appealing curves and design
-  Great for lower cfm or high comfort applications
-  Square and round shapes available
-  Lay-in, duct mounted or drywall mounted, suitable for all ceilings
-  Single piece, heavy-gauge stamped steel face construction
-  Matching high-performance PERFAIR plenums, choice of top or side connection
-  PERFAIR have built-in anti-seismic attachment tabs and air equalizer/volume damper

OTO Series curved slot swirl diffusers by EffectiV HVAC™ and MADEL® are designed to be used in air conditioning, ventilation and heating systems at a temperature differential up to 22°F (12°C). They can be mounted in false ceilings, on drywall, or suspended from the ceiling, from 8.5 feet to 13 feet (2.6 up to 4 meters) high. OTO diffusers allow a flow variation of 60% while keeping the air stream stable.

The particular design of OTO diffusers creates a uniform airflow along the length of each aperture. The radial configuration of the eight curved slots produces a rotational blade jet pattern. The resulting high velocity swirl diffusion combined with a Coanda effect results in efficient mixing of supplied air with room air, a high induction ratio and reduced air stratification.

As a result of the collaboration with Lievore, Altherr & Molina, OTO's original design allows for manufacturing from a single continuous sheet, without any edges highlighting an assembled construction. This results in very smooth airflow characteristics while creating new design possibilities and reducing the visual impact within the architectural surroundings.

Some Applications



Ideal for medium to low cfm applications where a high level of comfort is required



Ideal when reliable performance is required despite installation constraints



Closed office space, reception desk, waiting rooms, meeting rooms



High end residential applications



Restaurant dining rooms



Childcare



Schools and classrooms



Call centers



Dental and medical clinics



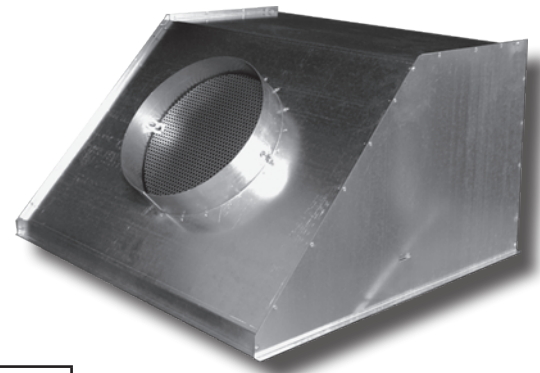
Multi-purpose rooms



Plenum Selection

OTO swirl diffusers are available with a wide selection of PERFAIR plenums to suit any type of application. PERFAIR-SS with side connection is the most popular plenum for Square Diffusers and only requires 14" of ceiling space.

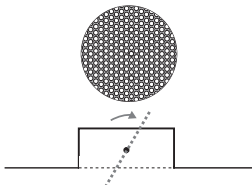
All PERFAIR plenums come with antiseismic tabs and perforated air volume damper / air equalizer.



PERFAIR-SS

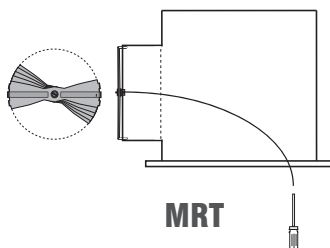
Plenum Model	Face Type	Connection	Recommended For
PERFAIR-CS	Round	Side	False or closed ceiling
PERFAIR-CT	Round	Top	Open ceiling with visible duct coming from top
PERFAIR-SS	Square	Side, Angle	False or closed ceiling
PERFAIR-SSS	Square	Side	Open ceiling with visible duct coming from side
PERFAIR-ST	Square	Top	Open ceiling with visible duct coming from top
PERFAIR-XS	Square	Side, Oval	Very limited ceiling space (6" min)
PERFAIR-XSS	Square	Side, Rect.	Very limited ceiling space (5" min)

Integrated Air Volume Dampers



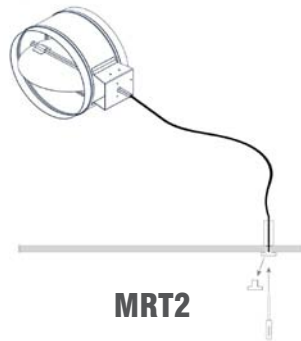
R

Perforated damper + air equalizer (Standard)



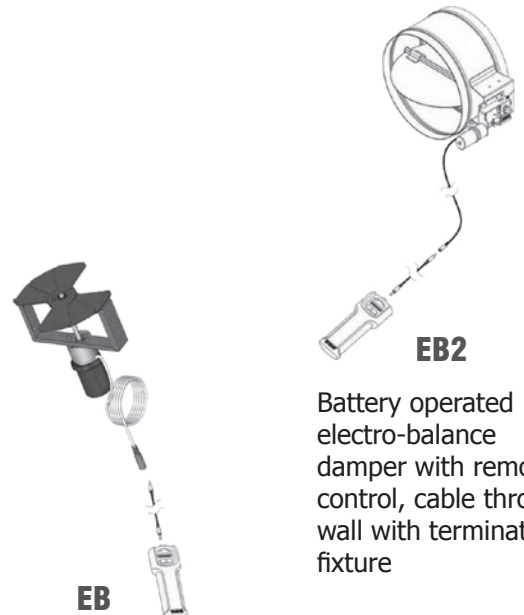
MRT

Manually operated damper, cable inside the plenum, adjustment through face



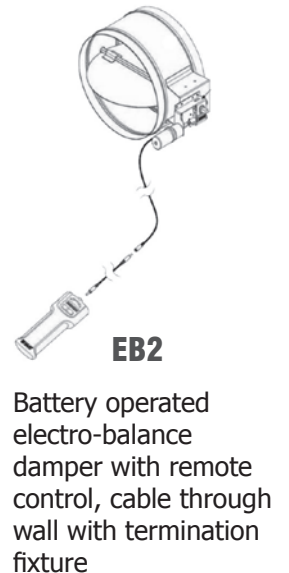
MRT2

Manually operated damper, cable through wall with termination fixture



EB

Battery operated electro-balance damper with remote control, cable through face



EB2

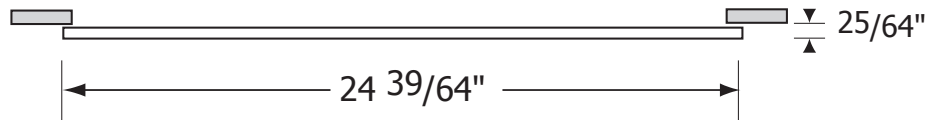
Battery operated electro-balance damper with remote control, cable through wall with termination fixture

OTO-C Curved Slot Round Swirl Diffuser

Dim	Free Area (sqf)	Min cfm	Max cfm
25" (625mm)	0.0427	210	341



OTO-C



OTO-C + PERFAIR or PLXOC Performance Data

24 5/8" Diameter Face (Imperial)

625mm Diameter Face (Metric)

Neck Size (inches)	Neck (fpm) Velocity	200	300	400	500	600	700	800	1000
	Velocity Pressure (H2O)	0.002	0.006	0.01	0.016	0.022	0.031	0.041	.062
6	CFM			79	98	118	137	157	196
	Pressure Loss (in.w.g.)			-	0.01	0.02	0.03	0.03	0.05
	NC			< 15	< 15	< 15	< 15	< 15	18
	Throw (ft) - Coanda Effect			2-3-3	2-3-4	2-3-5	2-4-6	3-4-6	3-5-8
	Throw (ft) - No Ceiling Effect			1-2-3	1-2-3	1-2-7	2-3-4	2-3-5	2-4-6
8	CFM		105	140	175	209	244	279	349
	Pressure Loss (in.w.g.)		0.02	0.03	0.04	0.06	0.08	0.1	0.16
	NC		< 15	< 15	15	19	24	27	33
	Throw (ft) - Coanda Effect		2-3-4	2-4-6	3-5-7	3-6-8	4-6-10	4-7-11	6-9-14
	Throw (ft) - No Ceiling Effect		1-2-3	2-3-4	2-4-5	3-4-6	3-5-7	3-6-8	4-7-10
10	CFM	109	164	218	273	327	382	436	545
	Pressure Loss (in.w.g.)	0.017	0.038	0.065	0.099	0.139	0.186	0.239	0.364
	NC	< 15	< 15	21	27	31	36	39	45
	Throw (ft) - Coanda Effect	2-3-4	3-4-7	4-6-9	4-7-11	5-9-13	6-10-15	7-12-17	9-14-22
	Throw (ft) - No Ceiling Effect	1-2-3	2-3-5	3-4-7	3-5-8	4-7-10	5-8-11	5-9-13	6-11-16

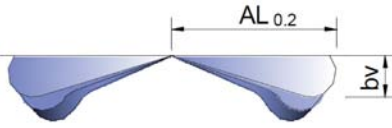
Performance Notes

- NC Value based on 10 db room attenuation.
- Throw Values are based on isothermal air and terminal velocities of **100 fpm, 60 fpm and 40 fpm** respectively.

OTO-C + PERFAIR or PLXOC-R Performance Data (continued)

Damper Correction Factor		100% Open	50% Open	10% Open
25" D (625mm)	Pressure Loss	x1	x1.2	x3.1
	NC	+0.8	+2.7	-0.6

Delta T Correction Factors		
Δ T (F)	Kh	KI
0	0.04	1
-2	0.045	0.945
-4	0.05	0.91
-6	0.055	0.87
-8	0.06	0.84
-10	0.068	0.82
-12	0.076	0.805
-15	0.089	0.78



$bv = kh \times \text{Throw}$

$\text{Throw}'(\Delta T) = KI \times \text{Throw}$

Kh = Correction Factor for Vertical Diffusion
 KI = Throw Correction Factor
 AL_{0.2} = Distance at which velocity reaches 40 fpm

Ratios		
Throw (ft)	i	Delta T Ratio
4	7	0.12
6	12	0.057
8	14	0.04
10	18	0.029
15	28	0.017
20	38	-
25	47	-
30	58	-

induced room air = supplied cfm * i

induced room air = cfm mixed for given throw

Delta T (Throw) = Delta T (Supply) * Delta T Ratio

Delta T (Supply) = T (Room) - T (Supply)
 Delta T (Throw) = T (Room) - T (Throw)

How to Specify OTO-C

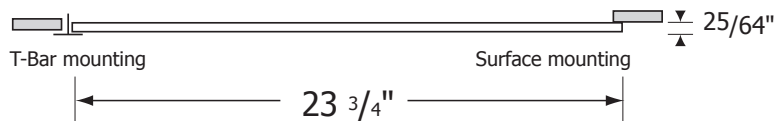
Supply and mounting of round high induction OTO-C swirl diffuser, with stamped curved slots in radial pattern, dimension 25 inches or 625 mm. Constructed from galvanised steel face panel powder coated in white M9016. Shall be supplied and installed with PERFAIR high performance plenum box featuring integrated air equalizer and volume damper, security tabs, crossbar and long screw for easy face attachment. By EffectiV HVAC / MADEL.

OTO-S Curved Slot Square Swirl Diffuser

Dim	Free Area (sqf)	Min cfm	Max cfm
24" x 24" (605mm)	0.0427	210	341



OTO-S



OTO-S + PERFAIR or BOXSTAR Performance Data

24" x 24" Face (Imperial)

605mm x 605mm Face (Metric)

Neck Size (inches)	Neck (fpm) Velocity	200	300	400	500	600	700	800	1000
	Velocity Pressure (H2O)	0.002	0.006	0.01	0.016	0.022	0.031	0.041	.062
6	CFM			79	98	118	137	157	196
	Pressure Loss (in.w.g.)			-	0.01	0.02	0.03	0.03	0.05
	NC			< 15	< 15	< 15	< 15	< 15	20
	Throw (ft) - Coanda Effect			2-3-3	2-3-4	2-3-5	2-4-6	3-4-6	3-5-8
	Throw (ft) - No Ceiling Effect			1-2-3	1-2-3	1-2-7	2-3-4	2-3-5	2-4-6
8	CFM		105	140	175	209	244	279	349
	Pressure Loss (in.w.g.)		0.02	0.03	0.04	0.06	0.08	0.1	0.16
	NC		< 15	< 15	17	22	26	30	36
	Throw (ft) - Coanda Effect		2-3-4	2-4-6	3-5-7	3-6-8	4-6-10	4-7-11	6-9-14
	Throw (ft) - No Ceiling Effect		1-2-3	2-3-4	2-4-5	3-4-6	3-5-7	3-6-8	4-7-10
10	CFM	109	164	218	273	327	382	436	545
	Pressure Loss (in.w.g.)	0.017	0.038	0.065	0.099	0.139	0.186	0.239	0.364
	NC	< 15	16	23	29	34	38	41	47
	Throw (ft) - Coanda Effect	2-3-4	3-4-7	4-6-9	4-7-11	5-9-13	6-10-15	7-12-17	9-14-22
	Throw (ft) - No Ceiling Effect	1-2-3	2-3-5	3-4-7	3-5-8	4-7-10	5-8-11	5-9-13	6-11-16

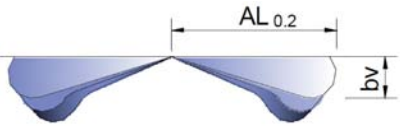
Performance Notes

- NC Value based on 10 db room attenuation.
- Throw Values are based on isothermal air and terminal velocities of **100 fpm, 60 fpm and 40 fpm** respectively.

OTO-S + PERFAIR or BOXSTAR Performance Data (continued)

Damper Correction Factor		100% Open	50% Open	10% Open
24"x 24" (605mm)	Pressure Loss	x1	x1.2	x3.1
	NC	+0.8	+2.7	-0.6

Delta T Correction Factors		
Δ T (F)	Kh	KI
0	0.04	1
-2	0.045	0.945
-4	0.05	0.91
-6	0.055	0.87
-8	0.06	0.84
-10	0.068	0.82
-12	0.076	0.805
-15	0.089	0.78



$bv = kh \times \text{Throw}$

$\text{Throw}'(\Delta T) = KI \times \text{Throw}$

Kh = Correction Factor for Vertical Diffusion
 KI = Throw Correction Factor
 AL_{0.2} = Distance at which velocity reaches 40 fpm

Ratios		
Throw (ft)	i	Delta T Ratio
4	7	0.12
6	12	0.057
8	14	0.04
10	18	0.029
15	28	0.017
20	38	-
25	47	-
30	58	-

induced room air = supplied cfm * i

induced room air = cfm mixed for given throw

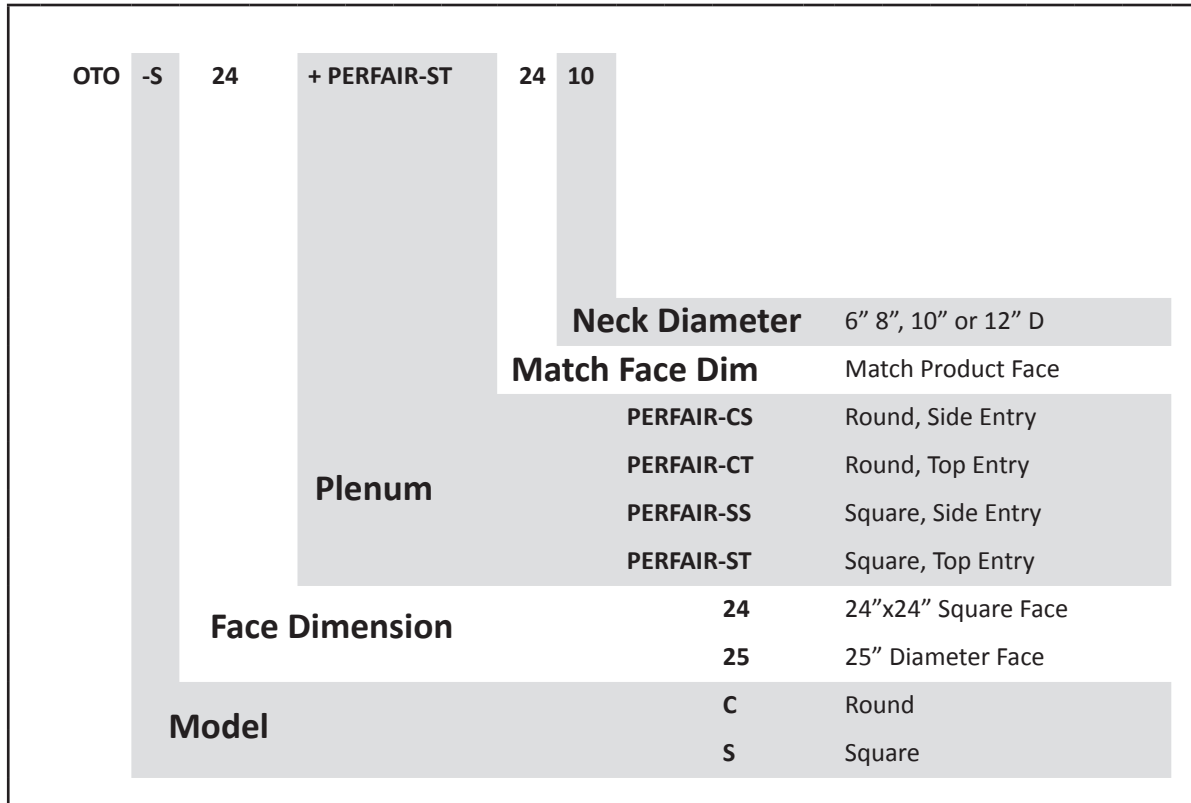
Delta T (Throw) = Delta T (Supply) * Delta T Ratio

Delta T (Supply) = T (Room) - T (Supply)
 Delta T (Throw) = T (Room) - T (Throw)

How to Specify OTO-S

Supply and mounting of high induction square swirl diffuser OTO-S, with stamped curved slots in radial pattern, dimension 24x24 inches or 605x605 mm. Constructed from galvanised steel face panel powder coated in white M9016. Shall be supplied and installed with PERFAIR high performance plenum box featuring integrated air equalizer and volume damper, security tabs, crossbar and long screw for easy face attachment. By EffectiV HVAC / MADEL.

How to Order OTO Series





OUR LIMIT IS YOUR CREATIVITY

EFFECTIV
HVAC  TM



PLAY

Adjustable Sectors Diffusers

COMFORT THROUGH FLEXIBILITY

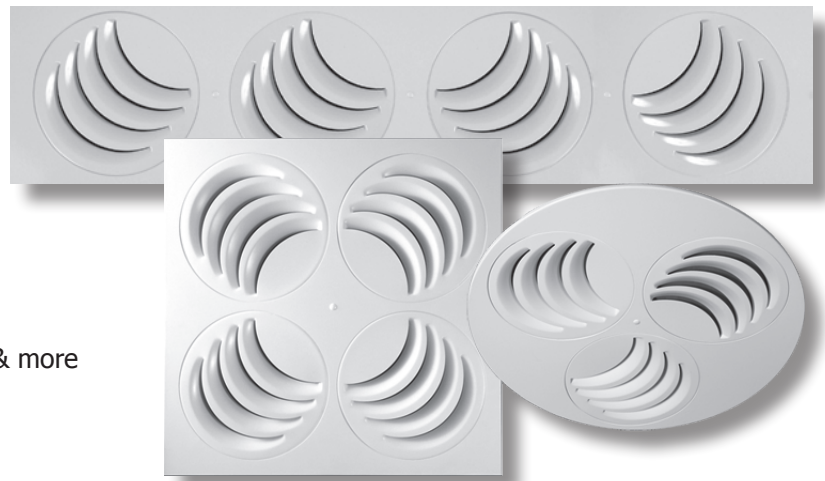
EFFECTIVE
HVAC















TM

PLAY SERIES

Adjustable Sectors Diffusers



PLAY-R, PLAY-S & PLAY-C
by MADEL®

-  Full 360 degrees horizontal adjustment
-  Easy to adjust from the face, without tools
-  Can act as swirl, 1 Way, 2 Way, 3 Way, 4 Way & more
-  Architecturally appealing
-  Provides new solutions for revolutionary designs
-  Good tolerance to airflow entering the diffuser at an angle
-  High induction causes rapid reduction of speeds and temperature variations
-  Square, round and rectangular shapes available
-  Lay-in, duct mounted or drywall mounted, suitable for all ceilings
-  Heavy-gauge, powder coated steel face
-  Matching high-performance PERFAIR plenums, choice of top or side connection
-  PERFAIR have built-in anti-seismic attachment tabs and air equalizer/volume damper

Model	Recommended cfm	
	Min	Max
PLAY-C 25	160	315
PLAY-R 48 1 2	200	400
PLAY-S 24	200	400



PLAY Adjustable Sectors Diffusers by EffectiV HVAC™ and MADEL® are designed to be used in air conditioning, ventilation and heating systems at a temperature differential up to 22°F (12° C). They can be mounted in false ceilings, on drywall, or suspended from the ceiling, from 8.5 feet to 13 feet (2.6 up to 4 meters) high.

The PLAY diffusers respond to a large variety of functional and architectural requirements and provide new solutions not previously available, thanks to their manually-adjustable sectors of diffusion.

The adjustment of each sector is made easy by means of partial stoppers which indicate the different positions. According to the direction of the sectors, PLAY diffusers can act as a swirl or directional (1, 2, 3 or 4-way) diffuser.

PLAY diffusers, combined with PERFAIR high performance plenum mixing boxes, emit a uniform airflow throughout the passage section despite variations in supplied air temperature and velocity, as well as non-ideal duct installation.

In any one of their configurations, PLAY diffusers use the coanda effect which creates uniform airflow in all effective areas. The high induction ratio helps reduce stratification. PLAY diffusers allow a flow variation of 60%, keeping the air stream stable.

PLAY diffusers' unique 100% horizontal adjustability, high induction ratio and reduced air stratification allow for designs with a much higher level of comfort and provide opportunity for significant energy savings.

Face and plenum box are ordered separately and attached together with a screw through face which is fixed in plenum crossbar.



Some Applications



Ideal for applications where conditions and layout may change over time



Ideal when combination of comfort, high cfm, low noise and appealing look is required



PLAY-R is perfect for hallways and large rooms with perimeter supply



Best diffuser for large office spaces with multiple cubicles



Restaurants, bars, hotels, stores, lobbies



Art galleries



Childcare



Schools and classrooms



Meeting rooms



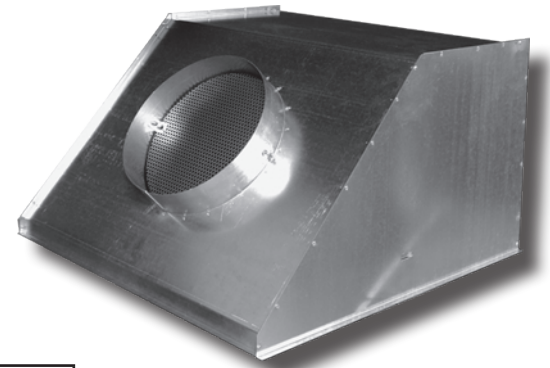
Multi-purpose rooms



Plenum Selection

PLAY adjustable diffusers are available with a wide selection of PERFAIR plenums to suit any type of application. PERFAIR-SS with side connection is the most popular plenum for Square Diffusers and only requires 14" of ceiling space.

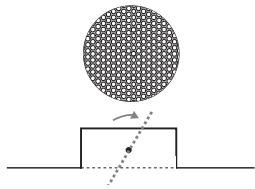
All PERFAIR plenums come with antiseismic tabs and perforated air volume damper / air equalizer.



PERFAIR-SS

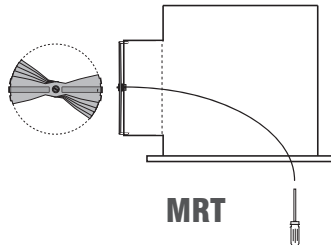
Plenum Model	Face Type	Connection	Recommended For
PERFAIR-CS	Round	Side	False or closed ceiling
PERFAIR-CT	Round	Top	Open ceiling with visible duct coming from top
PERFAIR-RS	Rectangular	Side	Connection coming from side
PERFAIR-RT	Rectangular	Top	Connection coming from top
PERFAIR-SS	Square	Side, Angle	False or closed ceiling
PERFAIR-SSS	Square	Side	Open ceiling with visible duct coming from side
PERFAIR-ST	Square	Top	Open ceiling with visible duct coming from top
PERFAIR-XS	Square	Side, Oval	Very limited ceiling space (6" min)
PERFAIR-XSS	Square	Side, Rect.	Very limited ceiling space (5" min)

Integrated Air Volume Dampers



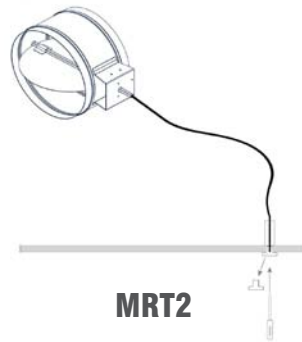
R

Perforated damper + air equalizer (Standard)



MRT

Manually operated damper, cable inside the plenum, adjustment through face



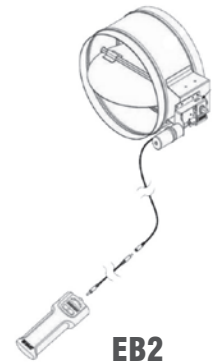
MRT2

Manually operated damper, cable through wall with termination fixture



EB

Battery operated electro-balance damper with remote control, cable through face



EB2

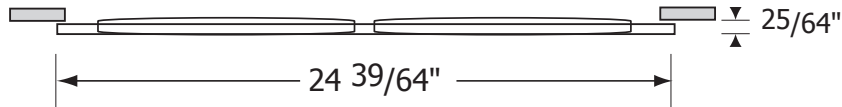
Battery operated electro-balance damper with remote control, cable through wall with termination fixture

PLAY-C Adjustable Sectors Round Diffuser



PLAY-C

Dim	Free Area (sqf)	Min cfm	Max cfm
25" (625mm)	0.323	160	315



PLAY-C + PERFAIR or PLXOC Performance Data

24 5/8" Diameter Face (Imperial)

625mm Diameter Face (Metric)

Neck Size (inches)	Neck (fpm) Velocity	200	300	400	500	600	700	800	1000
	Velocity Pressure (H2O)	0.002	0.006	0.01	0.016	0.022	0.031	0.041	.062
6	CFM				98	118	137	157	196
	Pressure Loss (in.w.g.)				0.02	0.029	0.038	0.049	0.073
	NC				< 15	< 15	< 15	15	22
	Throw (ft) - Coanda Effect				2-3-4	2-3-5	2-4-6	3-4-7	3-5-8
	Throw (ft) - No Ceiling Effect				1-2-3	2-3-4	2-3-4	2-3-5	2-4-6
8	CFM	70	105	140	175	209	244	279	349
	Pressure Loss (in.w.g.)	0.011	0.023	0.039	0.06	0.083	0.11	0.141	0.215
	NC	< 15	< 15	< 15	19	24	28	32	38
	Throw (ft) - Coanda Effect	1-2-3	2-3-5	2-4-6	3-5-8	4-6-9	4-7-10	5-8-11	6-9-14
	Throw (ft) - No Ceiling Effect	1-2-2	1-2-4	2-3-5	2-4-6	3-4-7	3-5-8	3-6-9	4-7-11
10	CFM	109	164	218	273	327	382		
	Pressure Loss (in.w.g.)	0.024	0.053	0.09	0.136	0.19	0.255		
	NC	< 15	17	24	31	36	41		
	Throw (ft) - Coanda Effect	2-3-5	3-5-7	4-6-9	4-8-11	5-9-13	6-10-15		
	Throw (ft) - No Ceiling Effect	1-2-4	2-4-5	3-5-7	3-6-8	4-7-10	5-8-11		

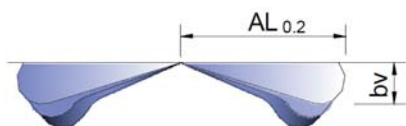
Performance Notes

- NC Value based on 10 db room attenuation.
- Throw Values are based on isothermal air and terminal velocities of **100 fpm, 60 fpm and 40 fpm** respectively.

PLAY-C + PERFAIR or PLXOC Performance Data (continued)

Damper Correction Factor		100% Open	50% Open	10% Open
25"D (625mm)	Pressure Loss	x 1	x 1	x 1.4
	NC	+0.8	+0.7	+1.2

Delta T Correction Factors		
Δ T (F)	Kh	KI
0	.039	1
-2	.042	.965
-4	.046	.93
-6	.05	.91
-8	.055	.86
-10	.065	.84
-12	.074	.82
-15	.099	.78



$bv = kh \times \text{Throw}$

$\text{Throw}'(\Delta T) = KI \times \text{Throw}$

Kh = Correction Factor for Vertical Diffusion

KI = Throw Correction Factor

AL_{0.2} = Distance at which velocity reaches 40 fpm

Ratios		
Throw (ft)	i	Delta T Ratio
4	6	0.08
6	9	0.05
8	13	0.037
10	16	0.029
15	25	0.018
20	34	-
25	43	-
30	52	-

induced room air = supplied cfm * i

induced room air = cfm mixed for given throw

Delta T (Throw) = Delta T (Supply) * Delta T Ratio

Delta T (Supply) = T (Room) - T (Supply)

Delta T (Throw) = T (Room) - T (Throw)

How to Specify PLAY-C

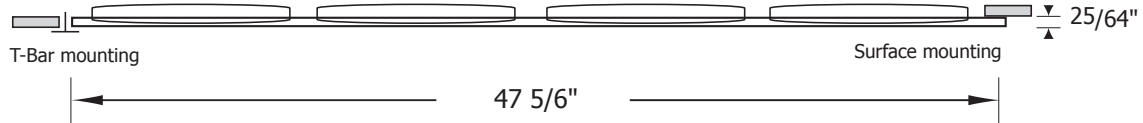
Supply and mounting of round diffuser with three individually adjustable sectors PLAY-C, dimension 25 inches or 625 mm. Airflow adjustment of each sector shall be strictly horizontal and 360 degrees. Constructed from galvanised steel face panel powder coated in white M9016. Shall be supplied and installed with PERFAIR high performance plenum box featuring integrated air equalizer and volume damper, security tabs, crossbar and long screw for easy face attachment. By EffectiV HVAC / MADEL.

PLAY-R Adjustable Sectors Rectangular Diffuser

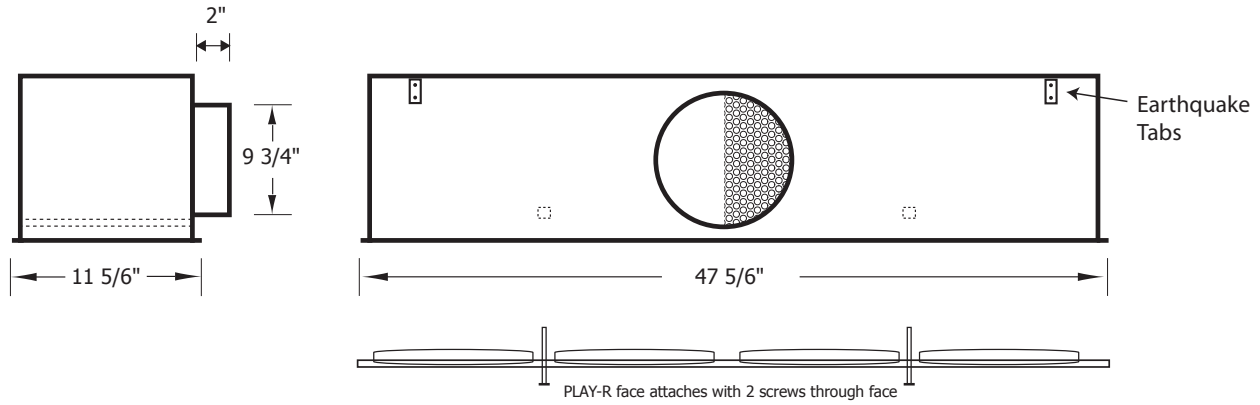
Dim	Free Area (sqf)	Min cfm	Max cfm
25" (625mm)	0.431	200	400



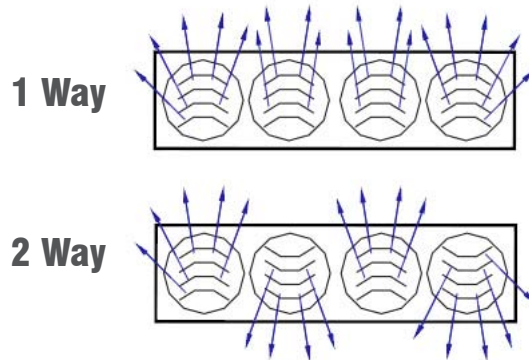
PLAY-R



PLAY-R Installation in Plenum



PLAY-R + PERFAIR or PLXOR Performance Data



PLAY-R + PERFAIR or PLXOR Performance Data (continued)

48" x 12" Face (Imperial)

1215 mm x 299 mm Face (Metric)

Neck Size (inches)	Neck (fpm) Velocity	200	300	400	500	600	700	800	1000
	Velocity Pressure (H2O)	0.01	0.016	0.01	0.016	0.022	0.031	0.041	.062
6	CFM			79	98	118	137	157	196
	Pressure Loss (in.w.g.)			0.011	0.012	0.019	0.026	0.033	0.043
	NC			< 15	< 15	< 15	< 15	< 15	15
	Throw (ft)	2 Way			1-3-5	2-4-6	3-4-6	3-4-6	3-4-7
1 Way				4-7-12	5-7-12	6-9-15	6-10-16	7-12-19	8-14-21
8	CFM	70	105	140	175	209	244	279	349
	Pressure Loss (in.w.g.)	0.01	0.013	0.027	0.039	0.048	0.065	0.081	0.128
	NC	< 15	< 15	< 15	< 15	16	20	24	30
	Throw (ft)	2 Way	1-3-5	2-4-6	3-4-6	3-4-7	4-5-7	5-7-11	5-8-12
1 Way		4-6-11	5-8-13	6-10-16	8-13-21	8-14-21	10-16-24	10-17-25	
10	CFM	109	164	218	273	327	382	436	545
	Pressure Loss (in.w.g.)	0.014	0.032	0.05	0.08	0.11	0.14	0.18	0.24
	NC	< 15	< 15	17	23	28	32	36	42
	Throw (ft)	2 Way	2-4-6	3-3-5	4-6-9	5-8-12	6-10-15	7-11-17	7-12-19
1 Way		5-8-13	7-12-19	9-15-23	10-17-25	13-22-33			
12	CFM	157	236	314	393	471	550		
	Pressure Loss (in.w.g.)	0.026	0.059	0.087	0.144	0.192	0.245		
	NC	< 15	20	26	34	38	43		
	Throw (ft)	2 Way	3-4-6	4-7-10	6-9-14	7-11-18	8-13-21	9-14-23	
1 Way		6-10-16	9-16-24	12-20-29					

Performance Notes

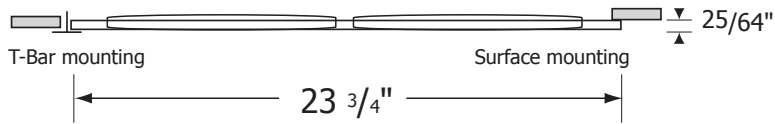
- NC Value based on 10 db room attenuation.
- Throw Values are based on isothermal air and terminal velocities of **100 fpm, 60 fpm and 40 fpm** respectively.

Damper Correction Factor		100% Open	50% Open	10% Open
48"x12"	Pressure Loss	x 1	x 1.5	x 2.3
	NC	+0.7	+1.7	+2.4

How to Specify PLAY-R

Supply and mounting of rectangular diffuser PLAY-R with four individually adjustable sectors, dimension 48 inches x 12 inches (1215 mm x 299 mm). Airflow adjustment of each sector shall be strictly horizontal and 360 degrees. Constructed from galvanised steel face panel powder coated in white M9016. Shall be supplied and installed with PERFAIR high performance plenum box featuring integrated air equalizer and volume damper, security tabs, crossbar and long screw for easy face attachment. By EffectiV HVAC / MADEL.

PLAY-S Adjustable Sectors Square Diffuser



**PLAY-S
(4 Way)**



1 Way



2 Way









3 Way



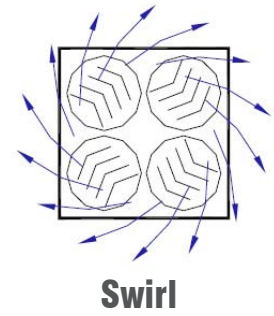
Swirl

Solve Existing Problems, Prevent Future Ones

-  Easily replace standard diffusers in existing buildings to fix current issues
-  Prevent AC wars in large office spaces
-  Stop creating new problems while trying to solve existing ones
-  Also great for new buildings with architectural and physical challenges
-  Equip your new building with the PLAY to cost efficiently deal with future problems
-  Just PLAY with it! Happy customers and employees are good for your business!

PLAY-S (Swirl) + PERFAIR or BOXSTAR Performance Data

Dim	Free Area (sqf)	Min cfm	Max cfm
24"x24" (605mm)	0.43	200	400



24" x 24" Face, Swirl Effect

605 mm x 605 mm Face (Metric)

Neck Size (inches)	Neck (fpm) Velocity	200	300	400	500	600	700	800	1000
	Velocity Pressure (H2O)		0.002	0.006	0.01	0.016	0.022	0.031	0.041
6	CFM				98	118	137	157	196
	Pressure Loss (in.w.g.)				0.01	0.014	0.019	0.024	0.037
	NC				< 15	< 15	< 15	< 15	16
	Throw (ft) - Coanda Effect				2-2-4	2-3-4	2-3-5	2-4-6	3-5-7
	Throw (ft) - No Ceiling				1-2-3	1-2-3	2-3-4	2-3-4	2-4-5
8	CFM		105	140	175	209	244	279	349
	Pressure Loss (in.w.g.)		0.011	0.02	0.03	0.041	0.055	0.071	0.107
	NC		< 15	< 15	< 15	18	22	25	31
	Throw (ft) - Coanda Effect		2-3-4	2-3-5	3-4-6	3-5-7	3-6-9	4-6-10	5-8-12
	Throw (ft) - No Ceiling		1-2-3	2-3-4	2-3-5	2-4-6	3-4-6	3-5-7	4-6-9
10	CFM	109	164	218	273	327	382	436	545
	Pressure Loss (in.w.g.)	0.012	0.026	0.045	0.068	0.095	0.127	0.163	0.247
	NC	< 15	< 15	19	25	30	34	37	43
	Throw (ft) - Coanda Effect	2-3-4	2-4-6	3-5-8	4-6-10	4-8-11	5-9-13	6-10-15	9-16-24
	Throw (ft) - No Ceiling	1-2-3	2-3-4	2-4-6	3-5-7	3-6-8	4-6-10	4-7-11	7-12-18
12	CFM	157	236	314	393	471	550		
	Pressure Loss (in.w.g.)	0.024	0.052	0.088	0.134	0.188	0.251		
	NC	< 15	21	29	35	39	44		
	Throw (ft) - Coanda Effect	2-4-6	3-6-8	4-7-11	5-9-13	6-10-16	7-12-18		
	Throw (ft) - No Ceiling	2-3-4	3-4-6	3-5-8	4-7-10	5-8-12	5-9-14		

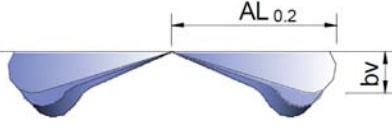
Performance Notes

- NC Value based on 10 db room attenuation.
- Throw Values are based on isothermal air and terminal velocities of **100 fpm, 60 fpm and 40 fpm** respectively.

Damper Correction Factor		100% Open	50% Open	10% Open
24"x24"	Pressure Loss	x 1	x1.5	x 2.3
	NC	+0.8	+1.7	+1.7

PLAY-S (Swirl) + PERFAIR or BOXSTAR Performance Data (continued)

Delta T Correction Factors		
ΔT (F)	Kh	KI
0	.039	1
-2	.042	.965
-4	.046	.93
-6	.05	.91
-8	.055	.86
-10	.065	.84
-12	.074	.82
-15	.099	.78



$bv = kh \times \text{Throw}$

$\text{Throw}'(\Delta T) = KI \times \text{Throw}$

Kh = Correction Factor for Vertical Diffusion
 KI = Throw Correction Factor
 $AL_{0.2}$ = Distance at which velocity reaches 40 fpm

Ratios		
Throw (ft)	i	Delta T Ratio
4	7	0.092
6	12	0.059
8	14	0.043
10	18	0.034
15	28	0.023
20	40	0.017
25	49	-
30	61	-

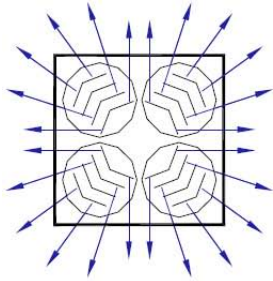
induced room air = supplied cfm * i

induced room air = cfm mixed for given throw

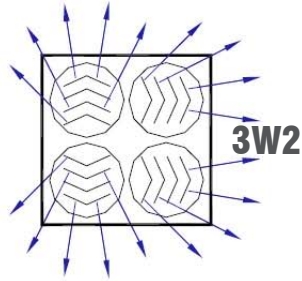
Delta T (Throw) = Delta T (Supply) * Delta T Ratio

Delta T (Supply) = T (Room) - T (Supply)
 Delta T (Throw) = T (Room) - T (Throw)

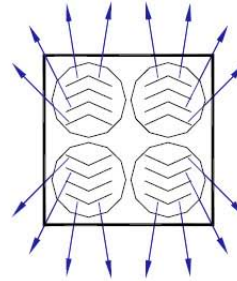
PLAY-S (Directional) + PERFAIR or BOXSTAR Performance Data



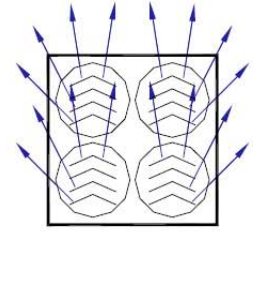
4 Way



3 Way



2 Way



1 Way

24" x 24" Face, Directional Throw

605 mm x 605 mm Face (Metric)

Neck Size (inches)	Neck (fpm) Velocity	200	300	400	500	600	700	800	1000	
	Velocity Pressure (H ₂ O)	0.002	0.006	0.01	0.016	0.022	0.031	0.041	.062	
6	CFM			79	98	118	137	157	196	
	Pressure Loss (in.w.g.)			0.003	0.01	0.014	0.019	0.024	0.037	
	NC			< 15	< 15	< 15	< 15	< 15	16	
	Throw (ft)	4W, 3W			2-3-4	2-4-5	2-4-6	3-5-7	3-6-8	3-6-9
		3W2, 2W			3-6-10	4-7-11	4-8-12	5-9-14	6-11-16	7-13-19
1W				5-9-13	6-10-13	6-11-16	7-12-18	8-14-21	10-17-25	
8	CFM	70	105	140	175	209	244	279	349	
	Pressure Loss (in.w.g.)	0.007	0.011	0.02	0.03	0.041	0.055	0.071	0.107	
	NC	< 15	< 15	< 15	< 15	18	22	25	31	
	Throw (ft)	4W, 3W	2-3-4	2-4-5	3-5-7	3-6-9	4-7-10	5-8-12	5-8-13	7-11-16
		3W2, 2W	3-6-10	4-7-11	5-9-14	7-12-18	8-14-21	9-16-24	10-17-26	13-22-34
1W		5-9-12	6-10-14	7-12-18	9-16-24	11-18-27	12-20-30	13-22-33	17-28-42	
10	CFM	109	164	218	273	327	382	436	545	
	Pressure Loss (in.w.g.)	0.012	0.026	0.045	0.068	0.095	0.127	0.163	0.247	
	NC	< 15	< 15	17	23	28	32	36	42	
	Throw (ft)	4W, 3W	2-4-5	3-5-8	4-7-10	5-8-13	6-10-15	7-11-17	8-13-19	9-16-24
		3W2, 2W	4-7-11	6-11-16	8-14-21	10-17-26	12-20-32	14-23-35	16-26-39	19-32-48
1W		6-10-14	8-14-21	11-18-27	13-22-33	16-26-39	18-30-45	20-34-51	25-42-63	
12	CFM	157	236	314	393	471	550			
	Pressure Loss (in.w.g.)	0.024	0.052	0.088	0.134	0.188	0.251			
	NC	< 15	21	28	34	39	43			
	Throw (ft)	4W, 3W	4-6-9	5-8-12	6-9-14	7-12-18	9-15-22	9-16-24		
		3W2, 2W	7-13-19	9-16-24	11-19-29	15-24-37	18-29-44	19-32-48		
1W		10-16-24	12-20-30	15-24-36	19-32-48	23-38-57	25-42-63			

Performance Notes

- NC Value based on 10 db room attenuation
- Throw Values are based on isothermal air and terminal velocities of **100 fpm, 60 fpm and 40 fpm** respectively
- Throw Values are with Coanda Effect. If no ceiling, multiply values by 0.75

Dim	Free Area (sqf)	Min cfm	Max cfm
24"x24" (605x605mm)	0.43	150	400

Damper Correction Factor		100% Open	50% Open	10% Open
24"x24" (605x605mm)	Pressure Loss	x 1	x 1.5	x 2.3
	NC	+0.8	+1.7	+1.7

How to Specify PLAY-S

Supply and mounting of square diffuser PLAY-S with four individually adjustable sectors, dimension 24 inches x 24 inches (605 mm x 605 mm). Airflow adjustment of each sector shall be strictly horizontal and 360 degrees. Constructed from galvanised steel face panel powder coated in white M9016. Shall be supplied and installed with PERFAIR high performance plenum box featuring integrated air equalizer and volume damper, security tabs, crossbar and long screw for easy face attachment. By EffectiV HVAC / MADEL.

How to Order PLAY Series

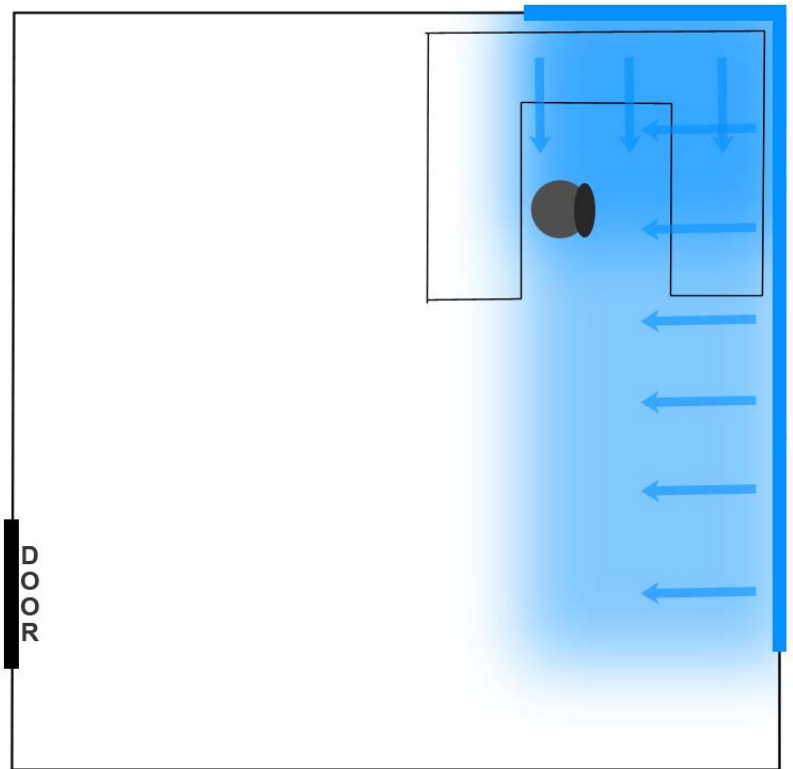
PLAY-	S	24	+ PERFAIR-ST	24	10
Plenum					
Face Dimension					
Model					
		Neck Diameter		6" 8", 10" or 12" D	
		Face Dimension		Match Product Face	
		PERFAIR-CS		Round, Side Connection	
		PERFAIR-CT		Round, Top Connection	
		PERFAIR-SS		Square, Side Connection	
		PERFAIR-ST		Square, Top Connection	
		PERFAIR-RS		Rectangular, Side Connection	
		PERFAIR-RT		Rectangular, Top Connection	
		24	24"x24" Square Face		
		25	25" Diameter Face		
		36 12	36"x12" Rectangular Face		
		48 12	48"x12" Rectangular Face		
		C	Round		
		R	Rectangular		
		S	Square		

Simple Energy Saving Example - Small Office With Large Window

This is a simple example of how the PLAY Adjustable Diffuser can help save energy while improving the level of comfort. This example is for a closed office but could also apply to any other commercial space with large windows and other random sources of heat and cold.

In this example, the small closed office has a large corner window – also covering most of one of the walls. In the winter, the large window becomes a considerable source of heat loss and the area around the window feels really cold. The exact opposite happens in hot summer days. In both cases, the result is serious discomfort for the employee.

This is not fiction; as a matter of fact, it is a real example of an existing building. As we often see in small closed offices, this one had a single standard ceiling diffuser installed in the center of the room. Many solutions were tried to improve the level of comfort; one being the use of zoning and volume control to supply more conditioned air to the room in order to compensate for heat gain or loss. The obvious problem with this solution is that it consumes a lot more energy. Moreover, some of the over-heated or over-cooled air is sent directly throughout the door into an already well-conditioned space. Last but not least, we might end up with a relatively comfortable zone on the right side of the room, but at the expense of the left side of the room now being too cold or too hot.



The Solution

In order to efficiently solve that problem, what we really need is to supply more conditioned air concentrated towards the window. Yet we want to supply some conditioned air towards the rest of the room in order to avoid critical stratification and to keep room temperature as even and stable as possible. Ideally, we would rather avoid sending air directly throughout that door. Introducing the PLAY Adjustable Diffuser! The two pictures below show two different views of that office with the PLAY diffuser installed. One picture is taken from the door towards the window and the other one from the window towards the door.

View from door



View from window

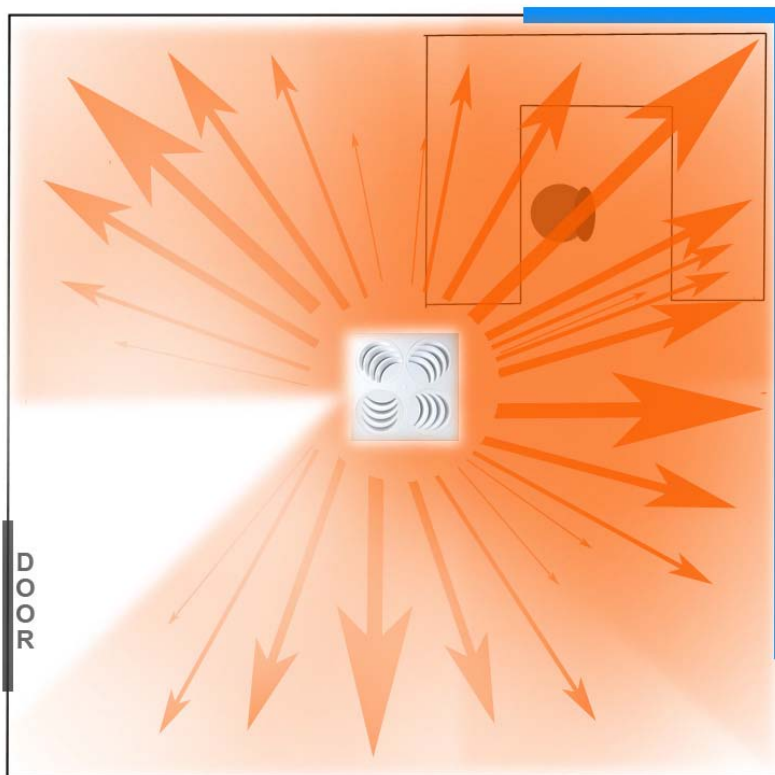


Simple Energy Saving Example - Small Office With Large Window

As you can see, the 4 sectors have been numbered to explain the configuration:

- Sector 1 is directed towards the windowed corner of the room.
- Sector 2 covers the rest of the windowed wall.
- Sector 3 covers the left corner, away from the door.
- Sector 4 covers the back wall, also away from the door.

View from above



In this example, we have reached the highest possible level of comfort in the most energy efficient way.

The PLAY is the only diffuser which is currently able to achieve this. A one-way, two-way or three-way diffuser would not have supplied air in the room efficiently as the PLAY; furthermore, they would have created stratification zones. Creating an air curtain with linear diffusers in front of the window is also great solution; however, it involves extra ducting and installation, resulting in much higher costs.

The PLAY adjustable diffuser is the easiest, most cost-effective way to achieve optimal results in such applications.

PLAY

Adjustable Sectors Diffusers

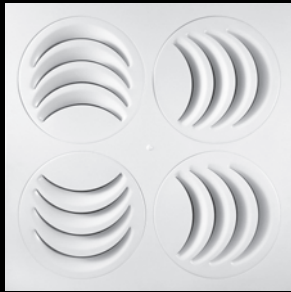


The ultimate toys for architects and engineers, PLAY diffusers combine innovative looks with versatile performance, providing both attractive designs and increased comfort levels. PLAY diffusers are the only diffusers on the market today which allow for the full and simple horizontal adjustment of airflow, from the face and with no need for tools.

PLAY WITH IT! Full adjustability allows for multiple air patterns



4 Way



3 Way



2 Way



1 Way



Swirl

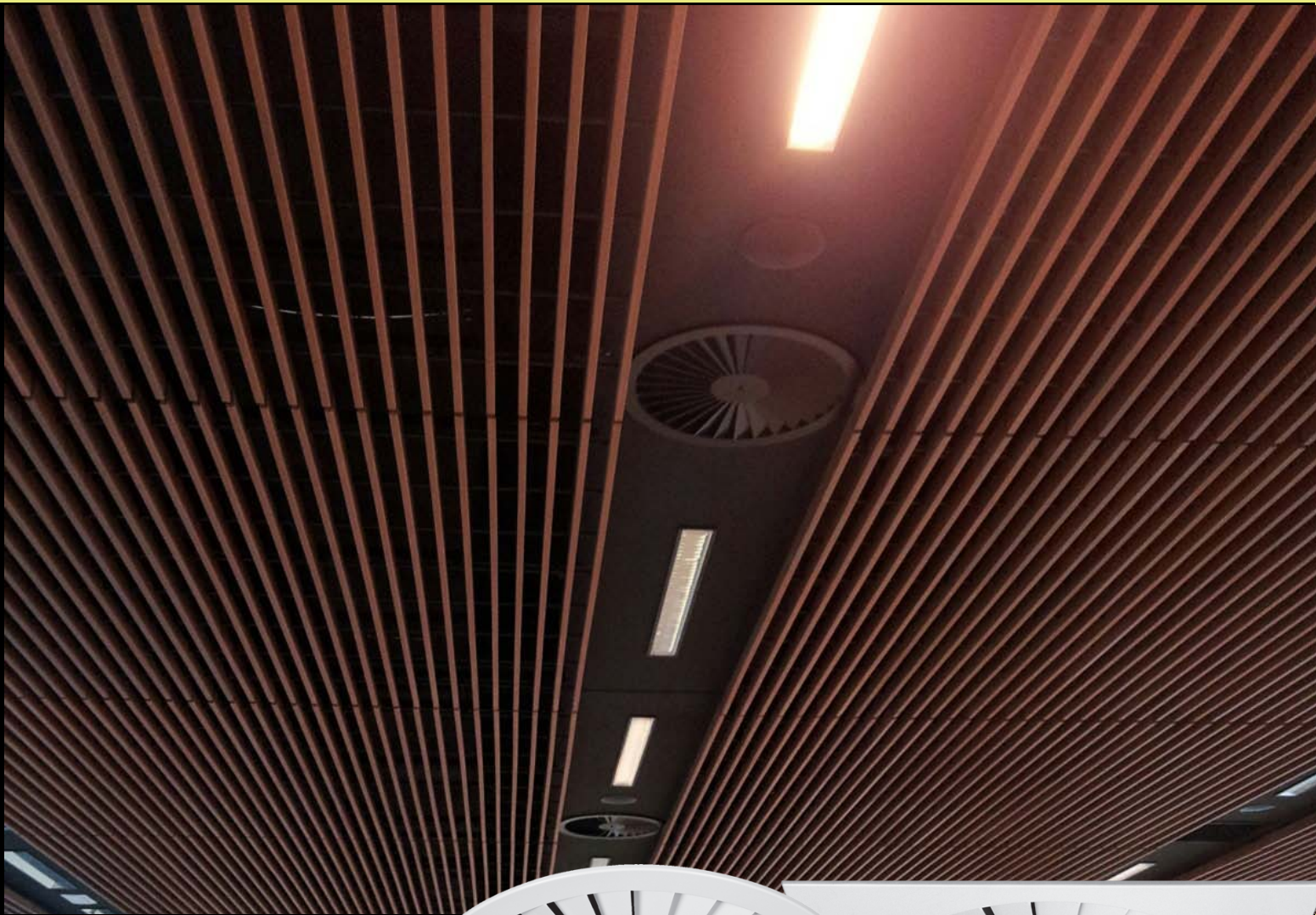


Available in square, rectangular or circular shapes, PLAY diffusers are suitable for suspended ceiling, drywall and open ceiling applications.

Innovative Solutions by

EFFECTIVE
HVAC

TM










RXO
Stamped Swirl Diffusers



RXO SERIES

Stamped Swirl Diffusers

-  Fixed swirl diffusion pattern
-  Available in square or round
-  Heavy-gauge steel construction
-  Matching High Performance PERFAIR Plenums
-  T-bar lay-in or surface mount
-  Ideal for cooling applications
-  Available in imperial and metric standard dimensions



RXO-S



RXO-C

RXO swirl diffusers are designed to be used in air conditioning, ventilation and heating applications. They can be mounted in false ceilings or suspended from the ceiling. The radial stamped blades design forces a swirl air diffusion pattern leveraging the coanda effect. RXO swirl diffusers provide a high level of induction rate, helping reducing room air stratification.

RXO series diffusers admit a flow variation of 60% keeping the air stream stable. These diffusers can be used in premises with ceilings 8.5 up to 13 feet (2.6 up to 4 meters) high and with a temperature differential up to 22°F (12°C).

Model Dimensions and Quick Selection

RXO-S Square Diffusers

Model	Imperial Dim	Metric Dim	Free Area (sqf)	Min cfm	Max cfm
RXO-S 16	16" x 16"	400 x 400 mm	0.178	88	241
RXO-S 20	20" x 20"	500 x 500 mm	0.362	176	353
RXO-S 24	24" x 24"	605 x 605 mm	0.538	294	476
RXO-S400 24	24" x 24"	605 x 605 mm	0.178	88	241
RXO-S500 24	24" x 24"	605 x 605 mm	0.362	176	353

RXO-C Round Diffusers

Model	Imperial Dim	Metric Dim	Free Area (sqf)	Min cfm	Max cfm
RXO-C 16	16" D	400 mm Dia	0.178	88	241
RXO-C 20	20" D	500 mm Dia	0.362	176	353
RXO-C 25	25" D	625 mm Dia	0.538	294	476

Some Applications



Office Spaces and Meeting Rooms



Schools



Restaurants, Bars, Hotels, Stores



VAV Applications



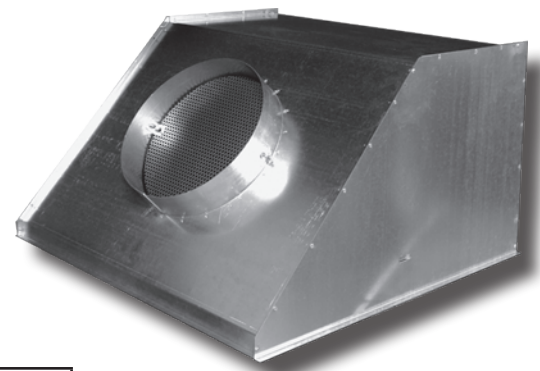
Comfort-critical applications



Plenum Selection

RXO swirl diffusers are available with a wide selection of PERFAIR plenums to suit any type of application. PERFAIR-SS with side connection is the most popular plenum for Square Diffusers and only requires 14" of ceiling space.

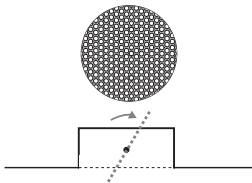
All PERFAIR plenums come with antiseismic tabs and perforated air volume damper / air equalizer.



PERFAIR-SS

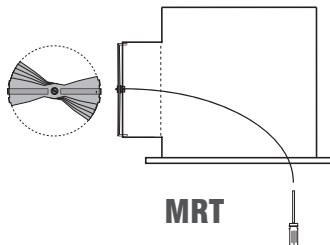
Plenum Model	Face Type	Connection	Recommended For
PERFAIR-CS	Round	Side	False or closed ceiling
PERFAIR-CT	Round	Top	Open ceiling with visible duct coming from top
PERFAIR-SS	Square	Side, Angle	False or closed ceiling
PERFAIR-SSS	Square	Side	Open ceiling with visible duct coming from side
PERFAIR-ST	Square	Top	Open ceiling with visible duct coming from top
PERFAIR-XS	Square	Side, Oval	Very limited ceiling space (6" min)
PERFAIR-XSS	Square	Side, Rect.	Very limited ceiling space (5" min)

Integrated Air Volume Dampers



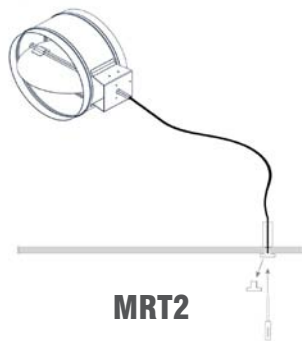
R

Perforated damper + air equalizer (Standard)



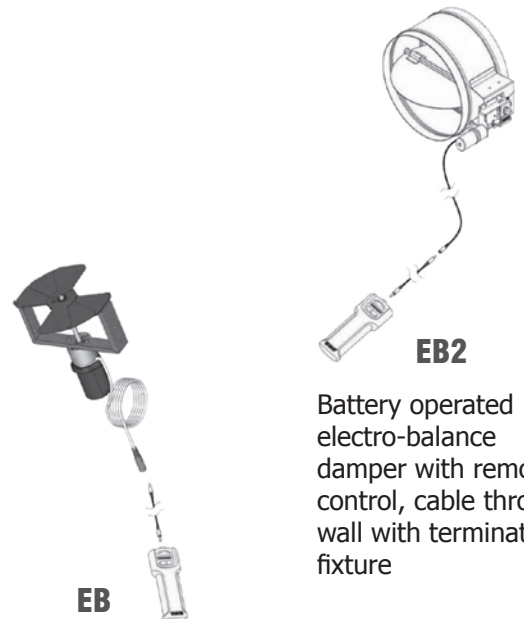
MRT

Manually operated damper, cable inside the plenum, adjustment through face



MRT2

Manually operated damper, cable through wall with termination fixture



EB2

Battery operated electro-balance damper with remote control, cable through wall with termination fixture

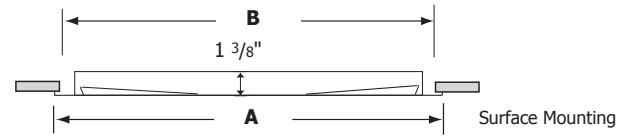
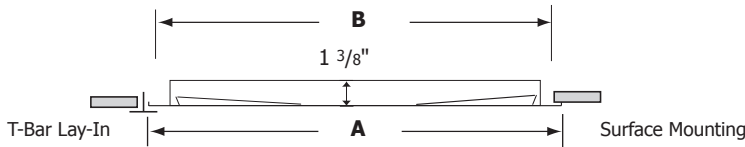
EB

Battery operated electro-balance damper with remote control, cable through face

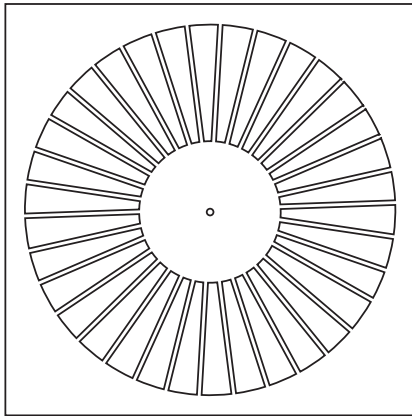
Dimensions

	Listed Size (Imperial)	Listed Size (Metric)	A (Imperial)	A (Metric)
RXO-S	16	400	15 34/64"	395
	20	500	19 31/64"	495
	24	605	23 5/8"	600

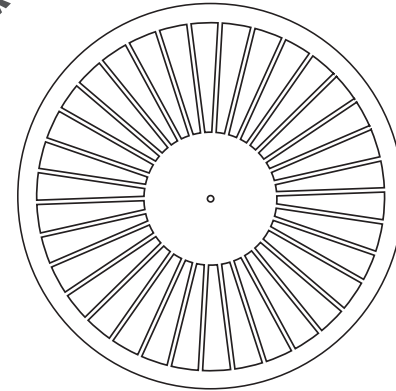
	Listed Size (Imperial)	Listed Size (Metric)	A (Imperial)	A (Metric)
RXO-C	16	400	15 3/4"	400
	20	500	19 11/16"	500
	25	600	24 39/64"	625



RXO-S



RXO-C



Performance Data - RXO-S 16 and RXO-S400 24 + PERFAIR

	Neck (fpm) Velocity	200	300	400	500	600	700
	Velocity Pressure (H2O)	.002	.006	.010	.016	.022	.031
Neck Size 8" (200mm)	CFM	70	105	140	175	209	244
	Pressure Loss (in.w.g.)	.013	.028	.048	.075	.105	.133
	NC	< 15	< 15	21	26	31	36
	Throw (ft) - Coanda Effect	1-2-3	2-3-5	3-4-7	4-6-9	4-7-11	5-8-13
	Throw (ft) - No Ceiling Effect	1-2-2	1-2-4	2-3-5	3-4-7	3-5-8	4-6-10

Performance Notes

- NC Value based on 10 db room attenuation
- Throw Values are based on isothermal air and terminal velocities of **100 fpm, 60 fpm and 40 fpm** respectively

Performance Data - RXO-S 20 and RXO-S500 24 + PERFAIR

	Neck (fpm) Velocity	400	500	600	700	800	1000	1200
	Velocity Pressure (H2O)	.010	.016	.022	.031	.041	.062	.090
Neck Size 8" (200mm)	CFM	140	175	209	244	279	349	419
	Pressure Loss (in.w.g.)	.024	.037	.053	.071	.092	.138	.203
	NC	11	16	20	25	28	34	39
	Throw (ft) - Coanda Effect	2-3-5	2-4-6	3-5-7	4-6-9	4-7-10	5-9-13	7-11-16
	Throw (ft) - No Ceiling Effect	1-2-3	2-3-5	2-4-6	3-4-7	3-5-8	4-7-10	5-8-12

Performance Notes

- NC Value based on 10 db room attenuation
- Throw Values are based on isothermal air and terminal velocities of **100 fpm, 60 fpm and 40 fpm** respectively

Performance Data - RXO-S 24 (24" x 24" or 605mm x 605mm) + PERFAIR

	Neck (fpm) Velocity	400	500	600	700	800	1000	1200
	Velocity Pressure (H2O)	.010	.016	.022	.031	.041	.062	.090
Neck Size 10" (250mm)	CFM	218	273	327	382	436	545	654
	Pressure Loss (in.w.g.)	.015	.024	.034	.046	.059	.091	.106
	NC	12	18	23	28	32	38	42
	Throw (ft) - Coanda Effect	2-3-5	3-4-6	3-5-8	4-6-9	4-7-11	6-9-14	6-10-16
	Throw (ft) - No Ceiling Effect	1-2-4	2-3-5	2-4-6	3-5-7	3-5-8	4-7-11	5-8-12

Performance Notes

- NC Value based on 10 db room attenuation
- Throw Values are based on isothermal air and terminal velocities of **100 fpm, 60 fpm and 40 fpm** respectively

Performance Data - RXO-C 16 (16" dia. or 400 mm dia.) + PERFAIR

	Neck (fpm) Velocity	200	300	400	500	600	700
	Velocity Pressure (H2O)	.002	.006	.010	.016	.022	.031
Neck Size 8" (200mm)	CFM	70	105	140	175	209	244
	Pressure Loss (in.w.g.)	.013	.028	.048	.075	.105	.133
	NC	< 15	< 15	21	26	31	36
	Throw (ft) - Coanda Effect	1-2-3	2-3-5	3-4-7	4-6-9	4-7-11	5-8-13
	Throw (ft) - No Ceiling Effect	1-2-2	1-2-4	2-3-5	3-4-7	3-5-8	4-6-10

Performance Notes

- NC Value based on 10 db room attenuation
- Throw Values are based on isothermal air and terminal velocities of **100 fpm, 60 fpm and 40 fpm** respectively

Performance Data - RXO-C 20 (20" dia. or 500 mm dia.) + PERFAIR

	Neck (fpm) Velocity	400	500	600	700	800	1000	1200
	Velocity Pressure (H2O)	.010	.016	.022	.031	.041	.062	.090
Neck Size 8" (200mm)	CFM	140	175	209	244	279	349	419
	Pressure Loss (in.w.g.)	.024	.037	.053	.071	.092	.142	.203
	NC	< 15	15	20	24	27	34	38
	Throw (ft) - Coanda Effect	2-3-5	2-4-6	3-5-7	4-6-9	4-7-10	5-9-13	7-11-16
	Throw (ft) - No Ceiling Effect	1-2-3	2-3-5	2-4-6	3-4-7	3-5-8	4-7-10	5-8-12

Performance Notes

- NC Value based on 10 db room attenuation
- Throw Values are based on isothermal air and terminal velocities of **100 fpm, 60 fpm and 40 fpm** respectively

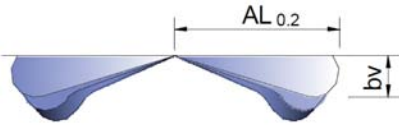
Performance Data - RXO-C 25 (25" dia. or 625 mm dia.) + PERFAIR

	Neck (fpm) Velocity	400	500	600	700	800	1000
	Velocity Pressure (H2O)	.010	.016	.022	.031	.041	.062
Neck Size 10" (250mm)	CFM	218	273	327	382	436	545
	Pressure Loss (in.w.g.)	.015	.024	.034	.046	.059	.091
	NC	< 15	17	23	27	31	38
	Throw (ft) - Coanda Effect	2-4-6	3-5-7	4-6-9	4-7-10	5-8-12	6-10-15
	Throw (ft) - No Ceiling Effect	2-3-4	2-4-5	3-4-7	3-5-8	4-6-9	5-7-11

Performance Notes

- NC Value based on 10 db room attenuation
- Throw Values are based on isothermal air and terminal velocities of **100 fpm, 60 fpm and 40 fpm** respectively

Delta T Correction Factors		
Δ T (F)	Kh	KI
0	0.04	1
-2	0.045	0.945
-4	0.051	0.905
-6	0.055	0.87
-8	0.06	0.84
-10	0.067	0.82
-12	0.077	0.785
-15	0.088	0.78



bv= kh x Throw

Throw'(Δ T)= KI x Throw

Kh = Correction Factor for Vertical Diffusion
 KI = Throw Correction Factor
 AL_{0.2} = Distance at which velocity reaches 40 fpm

RXO Performance Data (continued)

Induction Ratio				
Throw (ft)	i 16" /400	i 20" /500	i 24" /605	i 25" /625
4	12	7	5	5
6	18	12	9	9
8	24	15	12	12
10	29	18	15	15
15	45	28	24	24
20	60	38	31	31
25	76	47	38	38
30	90	57	47	47

induced room air = supplied cfm * i

induced room air = cfm mixed for given throw

Temperature Difference Ratio				
Throw (ft)	Delta T Ratio 16" /400	Delta T Ratio 20" /500	Delta T Ratio 24" /605	Delta T Ratio 25" /625
4	0.15			
6	0.075	0.092	0.115	0.115
8	0.05	0.065	0.08	0.08
10	0.038	0.047	0.06	0.06
15	0.022	0.027	0.034	0.034
20		0.018	0.024	0.024
25			0.017	0.017

Delta T (Throw) = Delta T (Supply) * Delta T Ratio

Delta T (Supply) = T (Room) - T (Supply)

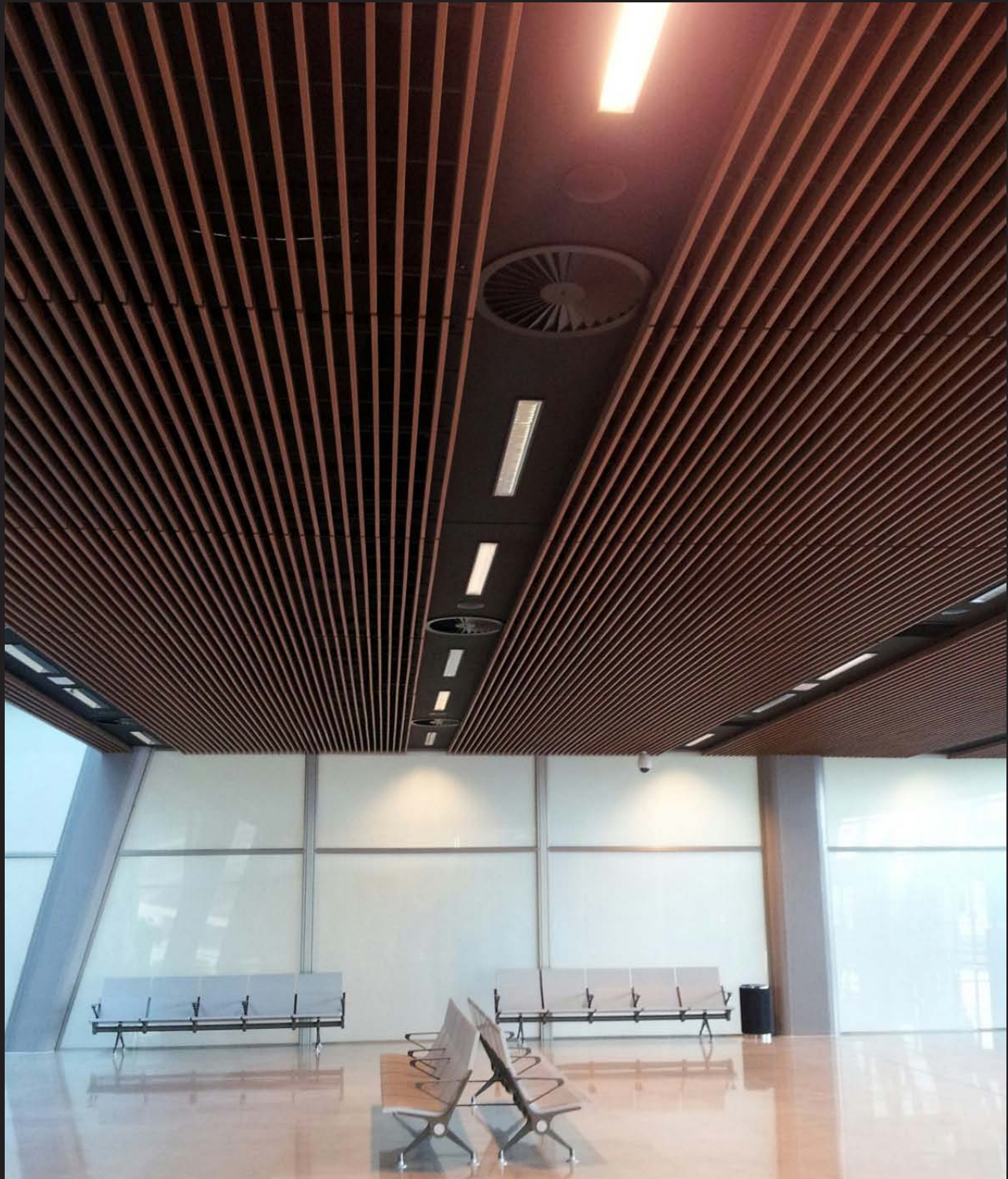
Delta T (Throw) = T (Room) - T (Throw)

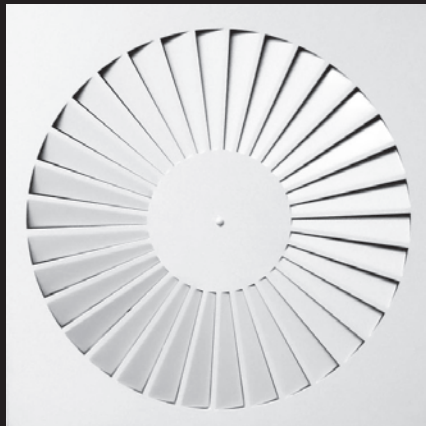
How to Specify RXO

Supply and mounting of fixed air pattern swirl diffuser RXO, constructed from steel and powder coated in white M9016. To be supplied with matching PERFAIR high performance plenum. By EffectiV HVAC / MADEL.

How to Order RXO Series

RXO-	S	24	+ PERFAIR-ST	24	10
			Plenum		
				Neck Diameter	6" 8", 10" or 12" D
				Face Dimension	Match Product Face
				PERFAIR-CS	Round, Side Connection
				PERFAIR-CT	Round, Top Connection
				PERFAIR-SCT	Cylindrical for Sq. Face, Top Conn.
				PERFAIR-SS	Square, Side Connection
				PERFAIR-ST	Square, Top Connection
		Face Dimension		16	16" Diameter Face
				20	20"x20" or 20" Dia. Face
				24	24"x24" Square Face
				25	25" Diameter Face
				400	400 mm Diameter Face
				500	500x500 mm or 500 mm Dia. Face
				605	605x605 mm Square Face
				625	625 mm Diameter Face
	Model			C	Round
				S	Square





TWIST
Compact Stamped Swirl Diffusers











TWIST SERIES

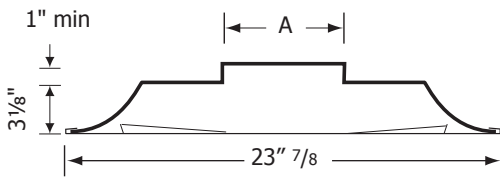
Compact Stamped Swirl Diffusers



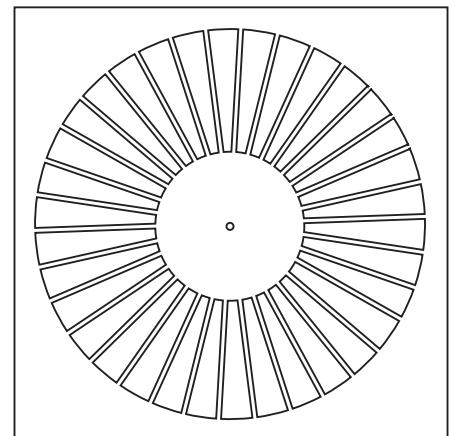
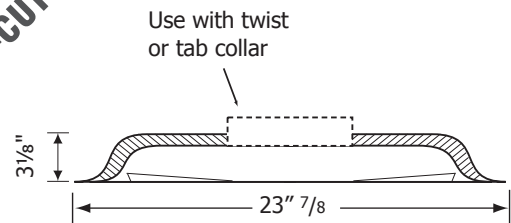
TWIST

-  Fixed swirl diffusion pattern
-  Fixed integrated backpan with die-drawn collar
-  Heavy-gauge steel construction
-  Available with insulation and drawn collar (TWIST-IR6)
-  TWIST-CUT has pre-scored R6 insulated back to cut your own neck (one size fits all)
-  Ideal for t-bar lay-in
-  Ideal for heating and cooling applications
-  R6 fiberglass insulation complies with A.S.T.M. E84 flame and smoke test

TWIST



TWIST-CUT



TWIST series diffusers by EffectiV HVAC™ supply air in a fixed 360° radial swirl pattern with a high level of induction, mixing the air more evenly and efficiently than standard diffusers. The TWIST diffuser comes with its own integrated backpan and is very compact. It can be viewed as an economical alternative to the RXO-S diffuser.

TWIST diffusers are ideal for VAV applications and applications which require rapid temperature and velocity equalization of the mixed air mass above the zone of occupancy.

TWIST-CUT diffusers are supplied with pre-scored R6 molded fiberglass plenum for a one-size-fits-all approach.

TWIST Performance Data

Neck Size (inches)	Neck (fpm) Velocity	400	500	600	700	800	1000	1200	1400
	Velocity Pressure (H2O)	.010	.016	.022	.031	.041	.062	.090	.122
6	CFM	79	98	118	137	157	196	236	275
	Pressure Loss (in.w.g.)	0.02	0.04	0.06	0.07	0.10	0.13	0.21	0.31
	NC	< 20	< 20	< 20	< 20	20	< 25	< 35	< 40
	Throw (ft)	2-3-5	2-3-6	3-4-6	3-5-7	3-4-7	4-6-8	4-7-10	5-7-10
8	CFM	140	175	209	244	279	349	419	489
	Pressure Loss (in.w.g.)	0.03	0.05	0.07	0.09	0.12	0.18	0.26	0.33
	NC	< 20	< 20	< 20	< 30	< 35	< 40	> 40	> 40
	Throw (ft)	3-3-5	3-3-7	3-4-7	3-5-10	4-5-9	5-7-11	7-7-14	8-9-12
10	CFM	218	273	327	382	436	545	654	764
	Pressure Loss (in.w.g.)	0.04	0.07	0.11	0.15	0.19	0.30	0.43	0.50
	NC	< 20	< 25	< 30	35	< 40	> 40	> 40	> 40
	Throw (ft)	3-4-8	4-5-10	4-6-10	5-8-12	6-8-12	8-9-13	8-10-14	9-11-16
12	CFM	314	393	471	550	628	785	942	
	Pressure Loss (in.w.g.)	0.10	0.14	0.22	0.27	0.36	0.56	0.78	
	NC	25	< 35	35	40	45	> 45	> 45	
	Throw (ft)	4-6-10	5-6-11	5-8-14	6-9-14	7-9-16	10-12-16	11-12-19	

Performance Notes

- NC Value based on 10 db room attenuation.
- Throw Values are based on isothermal air and terminal velocities of **150 fpm**, **100 fpm** and **50 fpm** respectively.

Accessories



OBD

Opposed Blade Damper



RSBD

Radial Sliding Blade Damper

How to Specify TWIST

Supply and mounting of steel stamped swirl diffuser model TWIST with integral plenum and drawn collar, square dimension 24"x24". Constructed from heavy gauge steel, powder coated in white . By EffectiV HVAC.

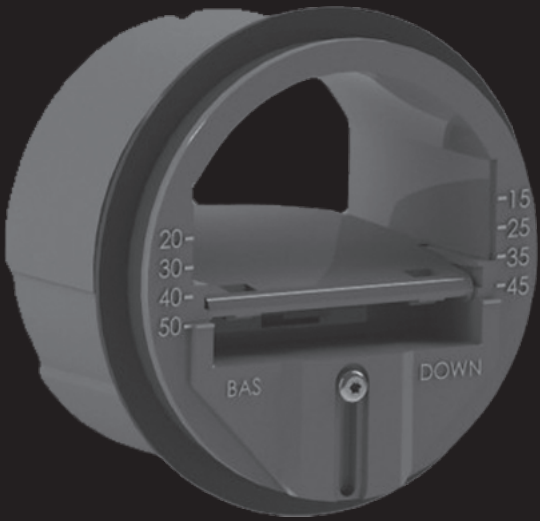
How to Specify TWIST-CUT

Supply and mounting of steel stamped swirl diffuser model TWIST with integral plenum and R6-rated molded fiberglass back pre-scored for 6" to 12" collars, square dimension 24"x24". Constructed from heavy gauge steel, powder coated in white . By EffectiV HVAC.

How to Order TWIST Series

TWIST	-IR6	-OBD	24	08		
					06	6"D
				Neck Diameter	08	8"D
					10	10"D
					12	12"D
			Face Dimension		24	24" x 24"
		Damper			OBD	Opposed Blade Damper
					RSBD	Radial Sliding Blade Damper
	Insulation				IR6	R6 molded fiberglass
Model					TWIST	With drawn collar
					TWIST-CUT	Insulated, one-size-fits-all

BALANCING



EFFECTIVE COMFORT SOLUTIONS



SKC
Constant Air Volume Dampers











SKC SERIES

Constant Air Volume Dampers



SKC-C
by MADEL®

-  Self adjusts itself to maintain pre-set air volume
-  Available for duct diameters ranging between 4" and 16"
-  Facilitates air balancing
-  Helps prevent pressure loss over time, i.e. caused by dirty filters or ducts
-  Compensates for sudden pressure changes caused by elevators, doors opening & more
-  Helps ensure optimal performance of the system over time and despite changing conditions
-  Good solution for high ceilings and areas which are harder to access for balancing
-  Performs in applications where pressures vary between 0.2 and 4.019 in.w.g. (50 and 1,000 Pa)

SKC-C series constant air volume dampers for circular duct, by EffectiV HVAC™ and MADEL®, greatly facilitate the balancing of ventilation systems. Those dampers maintain constant air volume at varying pressures caused by connection and disconnection of system parts, clogging of filters and ducts, wind effects, window opening, etc.

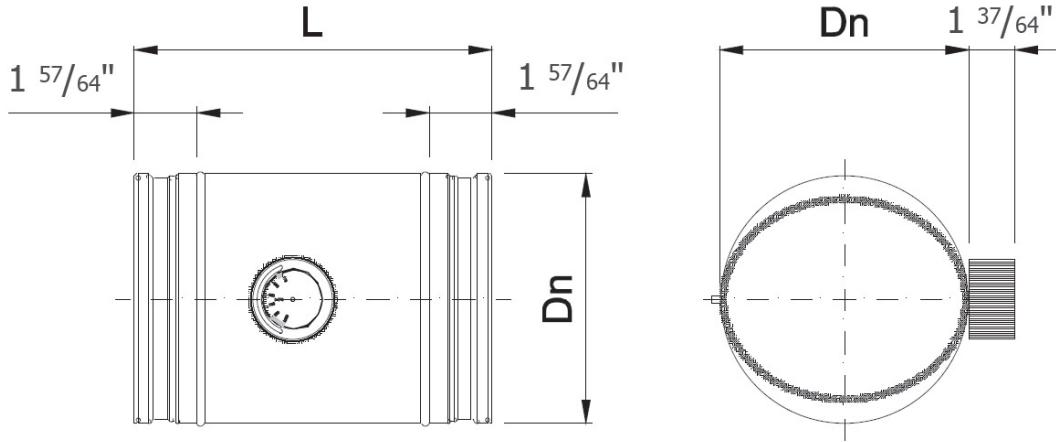
SKC-C is a self-adjustable damper, independent of external energy sources. It is preset by the installer to maintain a specific air volume in m³/h, easily convertible to cfm. The damper will then auto-adjust itself to maintain the desired volume of air while performing within a pressure range between 0.2 and 4.019 in.w.g. (between 50 and 1,000 Pa).

Adjustment is based on the balance between the force of air pressure on the blade and the reactive forces created by the spring and inflatable damper.

The adjustment knob has a graduated rate scale allowing for quick and easy adjustment of the desired air flow.

Model	Dn	L	Min cfm	Max cfm	Min Pressure Diff* (in.w.g.)	Max Pressure Diff (in.w.g.)
SKC-C 04	3 55/64"	8 55/64"	59	147	0.201 - 0.442	4.019
SKC-C 05	4 27/32"	10 5/8"	59	206	0.201 - 0.321	4.019
SKC-C 06	6 7/32"	11 39/64"	106	353	0.201 - 0.402	4.019
SKC-C 08	7 51/64"	11 39/64"	147	529	0.201 - 0.502	4.019
SKC-C 10	9 49/64"	13 3/16"	265	706	0.201 - 0.543	4.019
SKC-C 12	12 21/64"	13 25/64"	412	1235	0.201 - 0.884	4.019
SKC-C 14	13 57/64"	14 61/64"	529	1529	0.201 - 0.884	4.019
SKC-C 16	15 43/64"	16 17/32"	588	2000	0.201 - 0.884	4.019

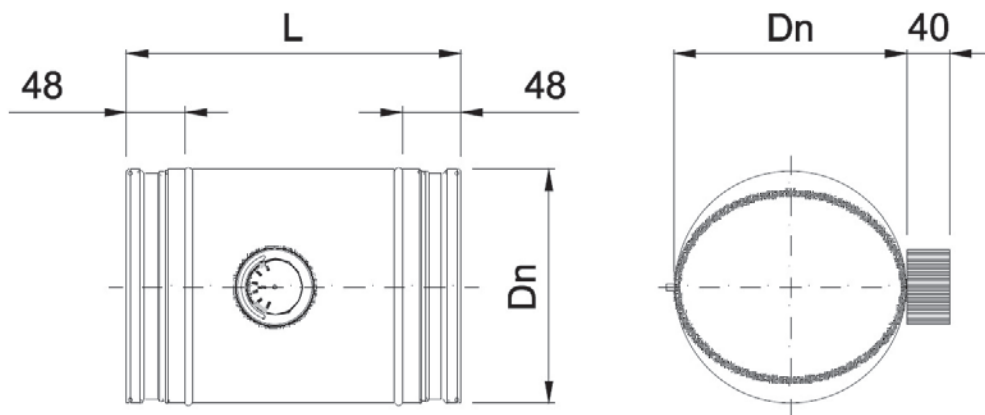
*Minimum pressure difference varies with air volume



Metric Dimensions

Model	Dn	L	Min m3/h	Max m3/h	Min Pressure Diff* (Pa)	Max Pressure Diff (Pa)
SKC-C 80	78 mm	225 mm	60	150	50 - 115	1000
SKC-C 100	98 mm	270 mm	100	250	50 - 110	1000
SKC-C 125	123 mm	270 mm	100	350	50 - 80	1000
SKC-C 160	158 mm	295 mm	180	600	50 - 100	1000
SKC-C 200	198 mm	295 mm	250	900	50 - 125	1000
SKC-C 250	248 mm	335 mm	450	1200	50 - 135	1000
SKC-C 315	313 mm	340 mm	700	2100	50 - 220	1000
SKC-C 355	353 mm	380 mm	900	2600	50 - 220	1000
SKC-C 400	398 mm	420 mm	1000	3400	50 - 220	1000

*Minimum pressure difference varies with air volume



SKC-C 80 Performance Data

cfm	m3/h	NC 100 Pa 0.4 in.w.g.	NC 250 Pa 1 in.w.g.	NC 500 Pa 2 in.w.g.	DPt (in.w.g.)
24	40	28	40	47	0.04
35	60	32	42	49	0.088
50	85	35	44	51	0.181
74	125	39	48	55	0.321

SKC-C 100 Performance Data

cfm	m3/h	NC 100 Pa 0.4 in.w.g.	NC 250 Pa 1 in.w.g.	NC 500 Pa 2 in.w.g.	DPt (in.w.g.)
41	70	33	40	45	0.06
65	110	36	44	50	0.12
100	170	39	48	54	0.321
124	210	41	50	55	0.442

SKC-C 125 Performance Data

cfm	m3/h	NC 100 Pa 0.4 in.w.g.	NC 250 Pa 1 in.w.g.	NC 500 Pa 2 in.w.g.	DPt (in.w.g.)
65	110	34	41	46	0.052
103	175	37	45	51	0.141
156	265	39	48	55	0.249
194	330	41	50	56	0.361

SKC-C 160 Performance Data

cfm	m3/h	NC 100 Pa 0.4 in.w.g.	NC 250 Pa 1 in.w.g.	NC 500 Pa 2 in.w.g.	DPt (in.w.g.)
106	180	35	44	50	0.064
171	290	38	47	53	0.141
256	435	39	48	55	0.301
318	540	41	49	56	0.402

SKC-C 200 Performance Data

cfm	m3/h	NC 100 Pa 0.4 in.w.g.	NC 250 Pa 1 in.w.g.	NC 500 Pa 2 in.w.g.	DPt (in.w.g.)
165	280	36	47	54	0.048
265	450	38	49	56	0.141
400	680	40	49	57	0.281
500	850	41	49	57	0.482

SKC-C 250 Performance Data

cfm	m3/h	NC 100 Pa 0.4 in.w.g.	NC 250 Pa 1 in.w.g.	NC 500 Pa 2 in.w.g.	DPt (in.w.g.)
265	450	37	37	55	0.06
412	700	39	49	56	0.104
623	1060	41	49	57	0.273
779	1325	42	51	57	0.522

SKC-C 315 Performance Data

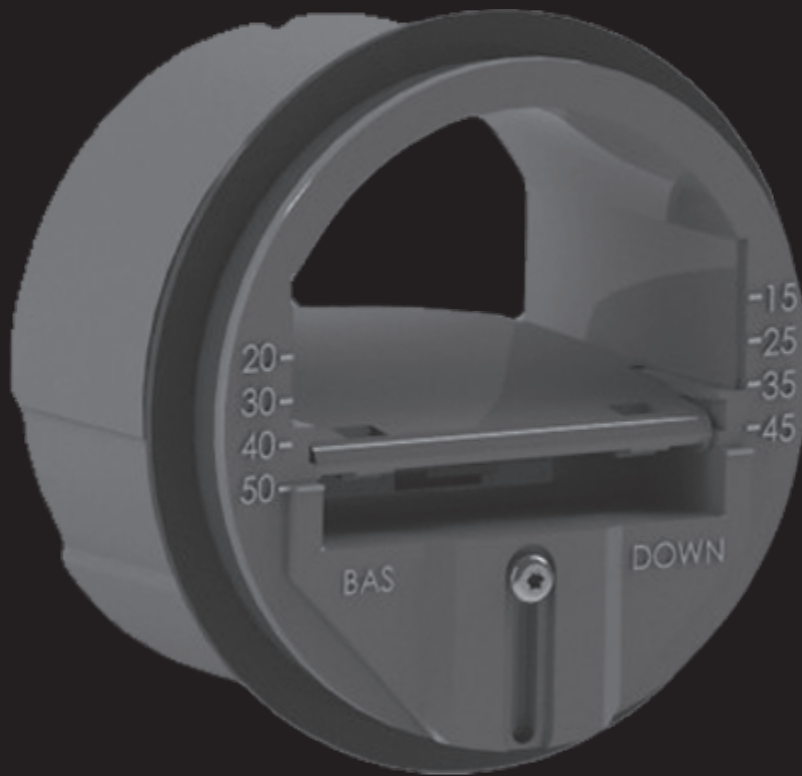
cfm	m3/h	NC 100 Pa 0.4 in.w.g.	NC 250 Pa 1 in.w.g.	NC 500 Pa 2 in.w.g.	DPt (in.w.g.)
412	700	38	50	56	0.08
659	1120	40	49	57	0.181
988	1680	44	50	57	0.341
1235	2100	47	52	58	0.554

SKC-C 315 Performance Data

cfm	m3/h	NC 100 Pa 0.4 in.w.g.	NC 250 Pa 1 in.w.g.	NC 500 Pa 2 in.w.g.	DPt (in.w.g.)
665	1130	40	52	58	0.096
1059	1800	41	51	56	0.217
1588	2700	51	53	58	0.502
2000	3400	55	56	61	0.743

How to Specify SKC-C

Supply and mounting of SKC-C constant air volume damper for circular duct, self-adjustable to maintain pre-set air volume within pressures ranging between 50 Pa and 1,000 Pa. Constructed from galvanised steel. By EffectiV HVAC / MADEL.









SKP

Low Pressure Constant Air Volume Dampers



SKP SERIES

Low Pressure Constant Air Volume Dampers

-  Self-adjusts to maintain preset air volume
-  Performs in low pressure applications between 50 and 250 Pa
-  Available for duct diameters ranging between 4" and 10"
-  Facilitates air balancing
-  Helps ensure optimal performance of the system over time
-  Great solution for high ceilings and areas hard to access for balancing



SKP
by **MADEL®**

SKP series low pressure constant air volume dampers for circular duct, by EffectiV HVAC™ and MADEL®, greatly facilitate the balancing of ventilation systems. Those dampers maintain constant air volume within a pressure zone between 50 and 250 Pa.

SKP is a self-adjustable damper. It is preset by the installer to maintain a specific air volume in m³/h, by mean of a screw. The damper will then auto-adjust itself to maintain the desired volume of air while performing within the pressure range. The damper is operated by an opposed opening force from a spring on the blade.

Housing is constructed from galvanized steel or plastic, the regulator blade is constructed from plastic and tightness joint from rubber. The entire product is rated UL 2043.

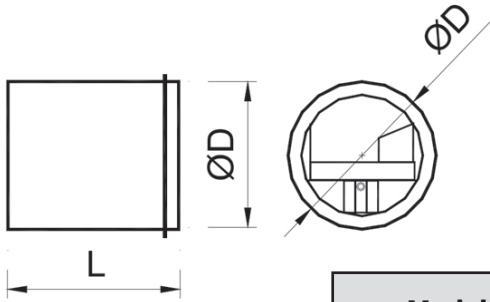
SKP Adjustment

Before fitting the regulator, the flowrate must be calibrated:

1. Slacken the locking screw on the flow regulation module with a Torx No.10 screwdriver
2. Align the set point marking with the required flowrate on the left or right of the module (see picture example of 50 m³/h setting). **1 cfm = 1.7 m³/h**
3. Tighten the locking screw on the flow regulation module



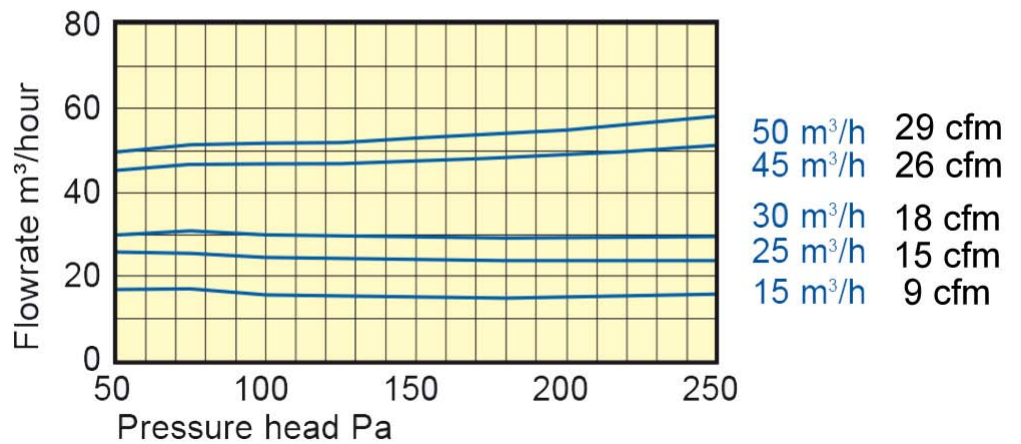
Intermediate flowrates are possible by aligning the set point marking between graduations on the regulator.



Model	D	L	Min m3/h	Max m3/h	Min cfm	Max cfm
SKP 80-30	2 63/64"	2 11/64"	15	50	9	29
SKP 100-30	3 25/32"	2 3/4"	15	50	9	29
SKP 100-60	3 25/32"	2 3/4"	50	100	29	59
SKP 125-30	4 23/32"	3 25/64"	15	50	9	29
SKP 125-60	4 23/32"	3 25/64"	50	100	29	59
SKP 125-120	4 23/32"	3 25/64"	100	180	59	106
SKP 150-150	5 53/64"	3 37/64"	100	180	59	106
SKP 150-210	5 53/64"	3 37/64"	180	300	106	176
SKP 160-150	5 53/64"	3 37/64"	100	180	59	106
SKP 160-210	5 53/64"	3 37/64"	180	300	106	176
SKP 200-300	7 43/64"	3 37/64"	180	300	106	176
SKP 200-350	7 43/64"	3 37/64"	300	500	176	294
SKP 250-500	9 41/64"	3 37/64"	300	500	176	294
SKP 250-600	9 41/64"	3 37/64"	500	700	294	412

SKP 80 Performance Data

SKP 80-30
15-50 m3/h (9-29 cfm)



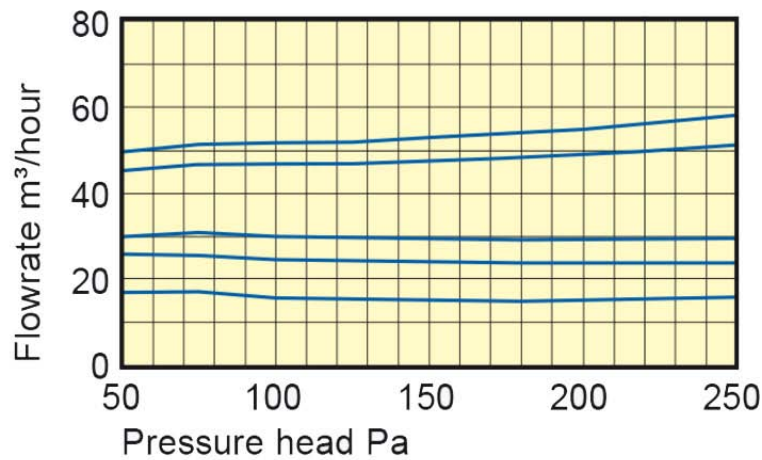
Acoustic Power Level Lw in dB(A)

cfm	m3/h	NC 50 Pa	NC 100 Pa	NC 150 Pa	NC 200 Pa
9	15	25	29	32	35
18	30	26	31	35	38
26	45	27	33	36	39
29	50	32	37	39	42

SKP 100 Performance Data

SKP 100-30

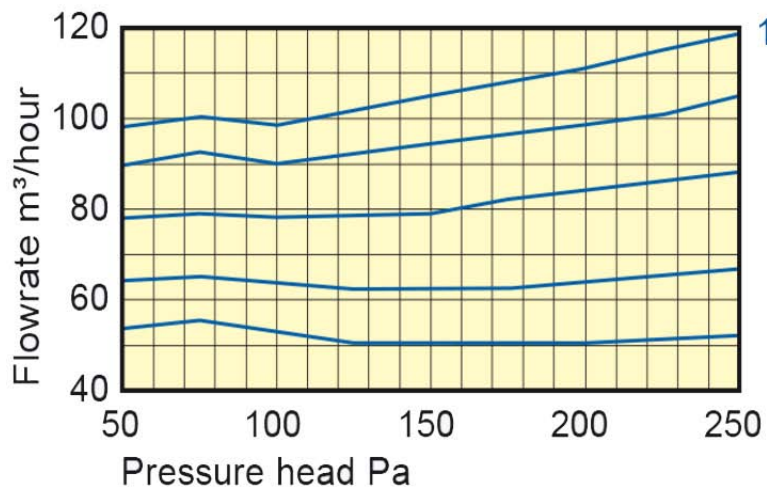
15-50 m³/h (9-29 cfm)



- 50 m³/h 29 cfm
- 45 m³/h 26 cfm
- 30 m³/h 18 cfm
- 25 m³/h 15 cfm
- 15 m³/h 9 cfm

SKP 100-60

50-100 m³/h (29-59 cfm)



- 100 m³/h 59 cfm
- 90 m³/h 53 cfm
- 75 m³/h 44 cfm
- 60 m³/h 35 cfm
- 50 m³/h 29 cfm

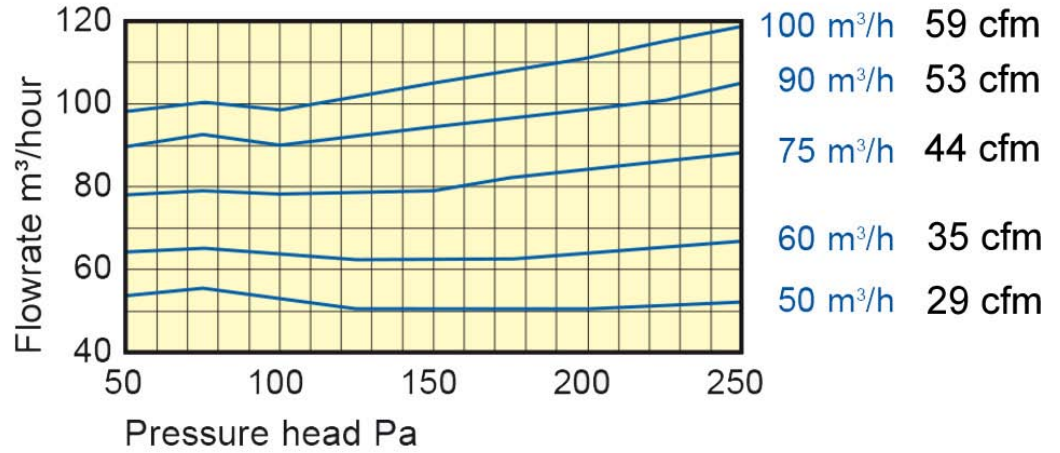
Acoustic Power Level L_w in dB(A)

cfm	m ³ /h	NC 50 Pa	NC 100 Pa	NC 150 Pa	NC 200 Pa
9	15	25	29	32	35
18	30	26	31	35	38
26	45	27	33	36	39
35	60	32	37	39	42
44	75	32	37	40	42
53	90	32	38	41	44

SKP 125 Performance Data

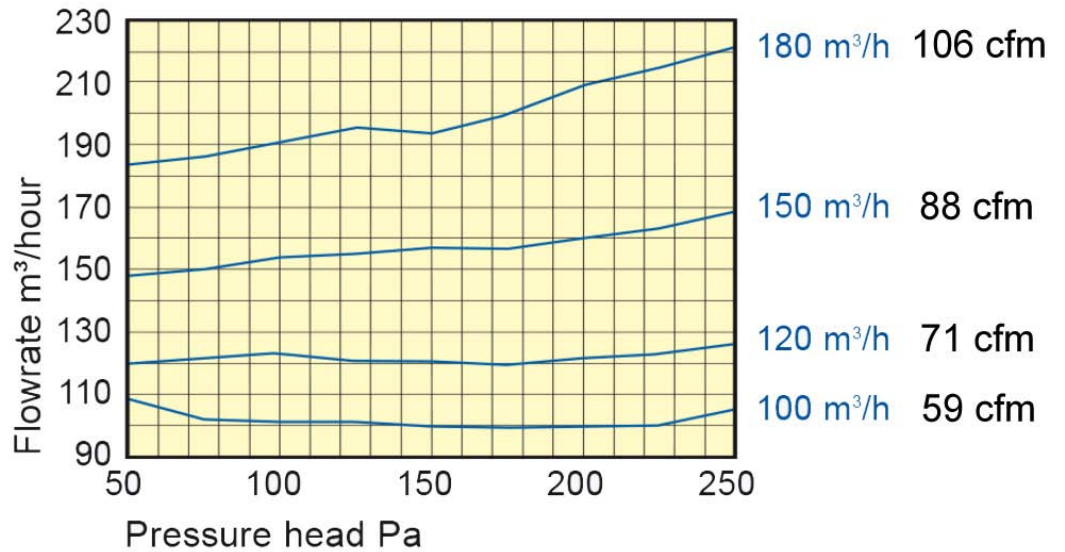
SKP 125-60

50-100 m³/h (29-59 cfm)



SKP 125-120

100-180 m³/h (59-106 cfm)



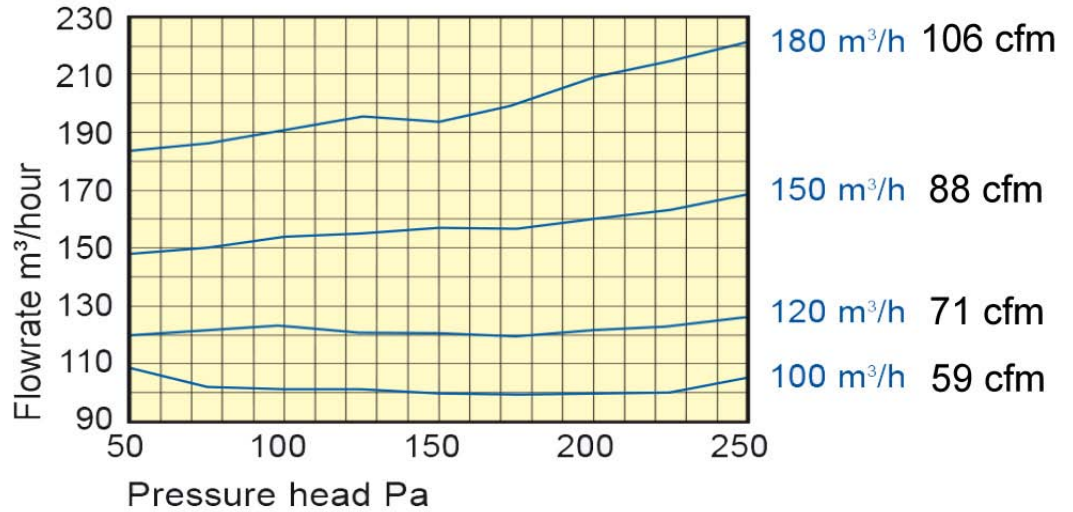
Acoustic Power Level Lw in dB(A)

cfm	m ³ /h	NC 50 Pa	NC 100 Pa	NC 150 Pa	NC 200 Pa
9	15	25	29	32	35
18	30	26	31	35	38
26	45	27	33	36	39
35	60	32	37	39	42
44	75	32	37	40	42
53	90	32	38	41	44
71	120	30	37	39	42
88	150	33	37	41	45
106	180	34	40	44	47

SKP 150 & 160 Performance Data

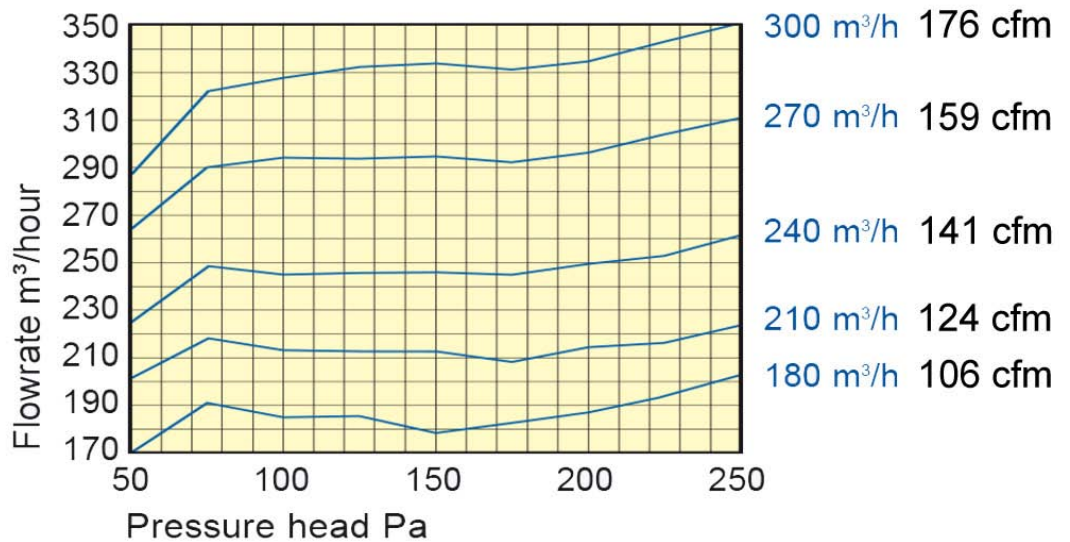
SKP 150/160-150

100-180 m³/h (59-106 cfm)



SKP 150/160-210

180-300 m³/h (106-176 cfm)



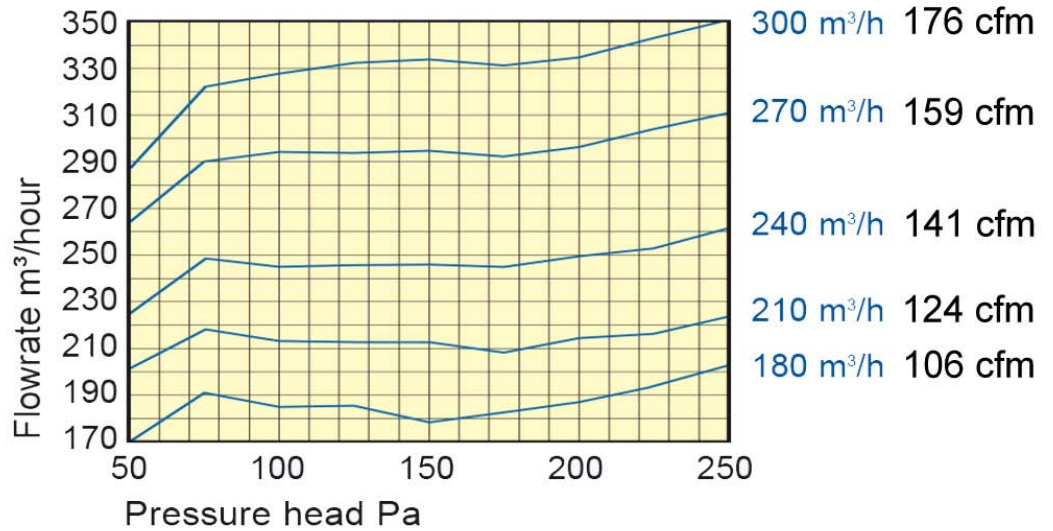
Acoustic Power Level L_w in dB(A)

cfm	m ³ /h	NC 50 Pa	NC 100 Pa	NC 150 Pa	NC 200 Pa
71	120	30	37	39	42
88	150	33	37	41	45
106	180	34	40	44	47
124	210	34	40	42	44
141	240	35	41	44	47
159	270	37	43	45	49
176	300	33	37	42	45

SKP 200 Performance Data

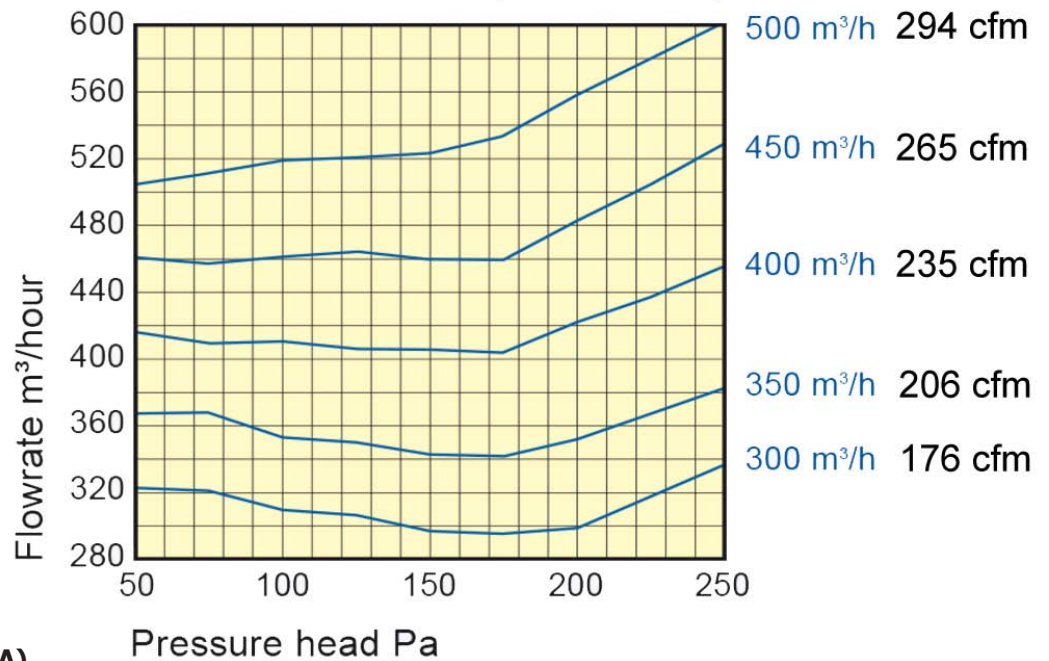
SKP 200-300

180-300 m³/h (106-176 cfm)



SKP 200-350

300-500 m³/h (176-294 cfm)



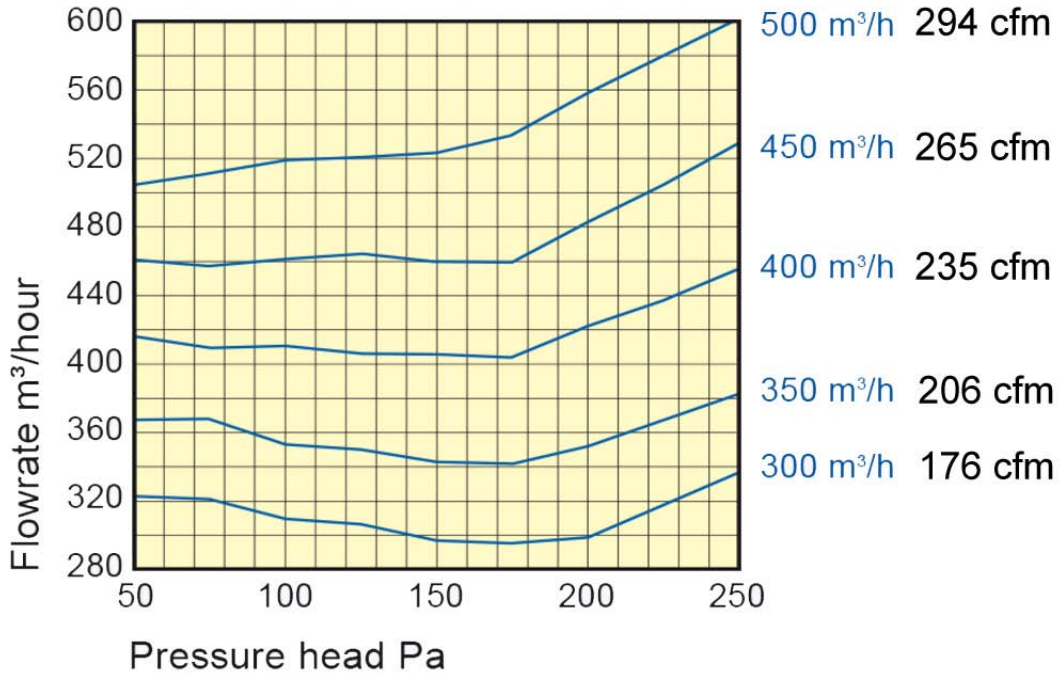
Acoustic Power Level Lw in dB(A)

cfm	m ³ /h	NC 50 Pa	NC 100 Pa	NC 150 Pa	NC 200 Pa
124	210	34	40	42	44
141	240	35	41	44	47
159	270	37	43	45	49
176	300	33	37	42	45
206	350	35	40	44	47
235	400	37	42	45	50
265	450	38	44	46	51
294	500	39	46	48	53

SKP 250 Performance Data

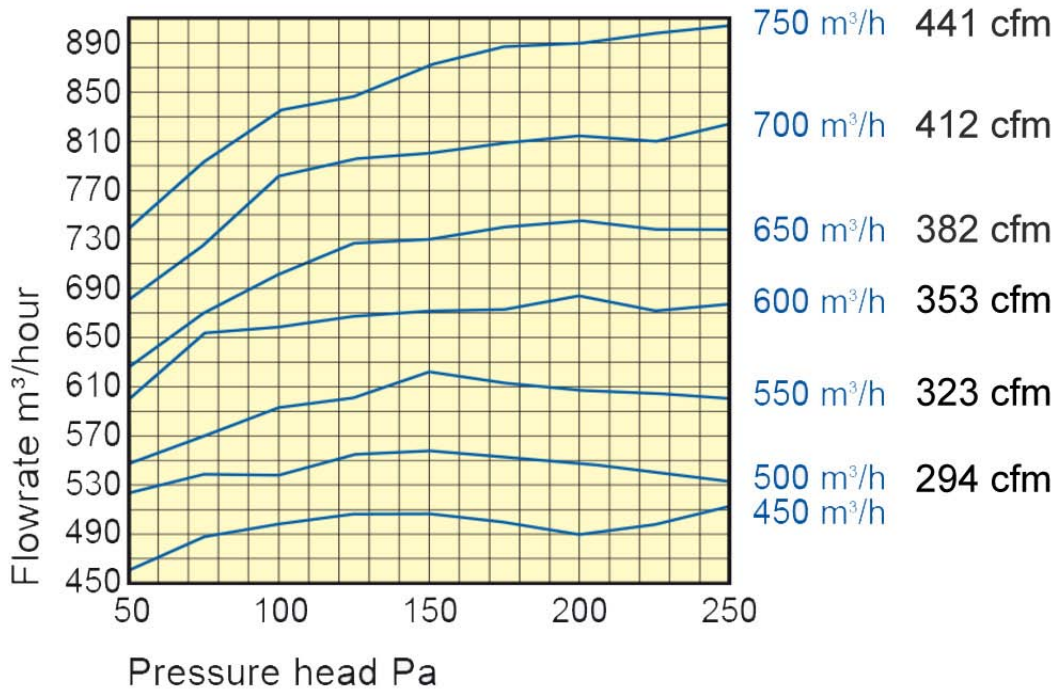
SKP 250-500

300-500 m³/h (176-294 cfm)



SKP 250-600

500-700 m³/h (294-412 cfm)



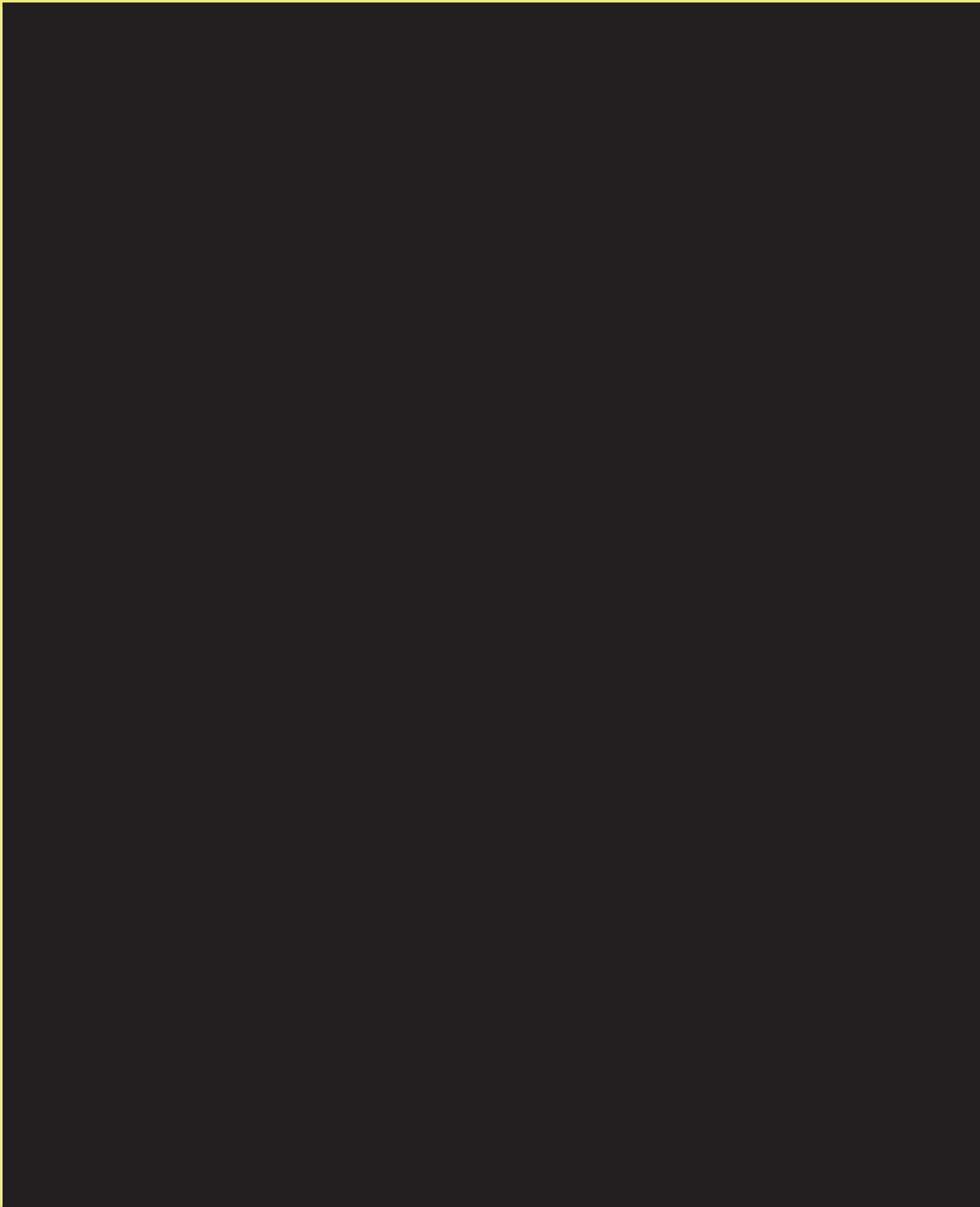
... SKP 250 Performance Data

Acoustic Power Level Lw in dB(A)

cfm	m3/h	NC 50 Pa	NC 100 Pa	NC 150 Pa	NC 200 Pa
124	210	34	40	42	44
141	240	35	41	44	47
159	270	37	43	45	49
176	300	33	37	42	45
206	350	35	40	44	47
235	400	37	42	45	50
265	450	38	44	46	51
294	500	39	46	48	53

How to Specify SKP

Supply and mounting of SKP low pressure constant air volume damper, self-adjustable to maintain desired volume of air in low pressure conditions varying between 50 Pa and 250 Pa. Constructed from plastic with UL 2043 certification. By EffectiV HVAC / MADEL.



SUBMITTAL DRAWINGS



AX6-MA Series Manually Adjustable Blades Round Swirl Diffusers

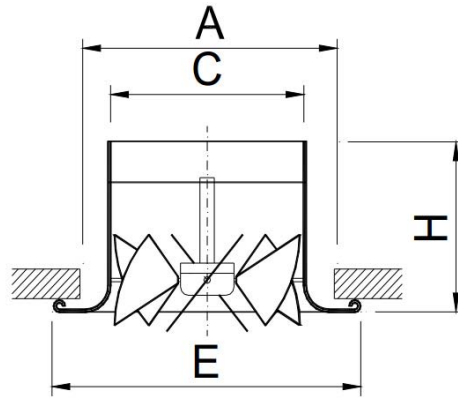
Material | Powder coated heavy gauge spun aluminum.

Air Pattern | 360° diffusion with horizontal swirl to downward flow, manual synchronous adjustment of the blades.

Ceiling Types | Open and Closed.



AX6-MA
by MADEL®



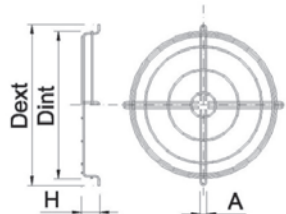
Select Model

✓	Model	Duct	A	C	E	H
	AX6-MA 10	10	11 13/16	9 3/4	14 11/64	7 61/64
	AX6-MA 12	12.5	15 3/4	12 21/64	18 17/64	8 55/64
	AX6-MA 16	16	19 11/16	15 25/32	20 3/64	9 27/32
	AX6-MA 20	20	24 13/32	19 9/16	27 11/64	12 3/64
	AX6-MA 25	25	30 45/64	24 11/16	34 1/4	13 25/32

All dimensions in inches (in)

Options

CH6	Security grille for sports facilities
------------	---------------------------------------



Select Finish

	Powder Coated White (RAL 9016)
	Mill Finish
	Other RAL (specify) :

Project:	
Engineer:	
Architect:	
Contractor:	

AX6-MA Series Manually Adjustable Blades Round Swirl Diffusers

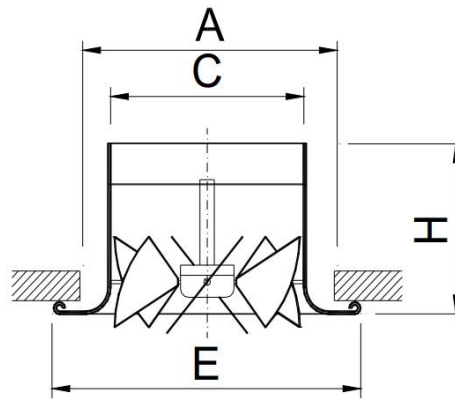
Material | Powder coated heavy gauge spun aluminum.

Air Pattern | 360° diffusion with horizontal swirl to downward flow, manual synchronous adjustment of the blades.

Ceiling Types | Open and Closed.



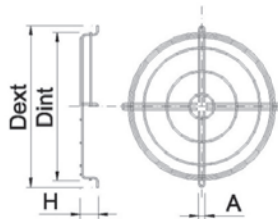
AX6-MA
by MADEL®



Select Model						
✓	Model	Duct	A	C	E	H
	AX6-MA 250	250	300	248	360	202
	AX6-MA 315	315	400	313	464	225
	AX6-MA 400	400	500	401	560	250
	AX6-MA 500	500	620	497	690	306
	AX6-MA 630	630	780	627	870	350

All dimensions in millimeters (mm)

Options	
CH6	Security grille for sports facilities



Select Finish	
	Powder Coated White (RAL 9016)
	Mill Finish
	Other RAL (specify) :

Project:	
Engineer:	
Architect:	
Contractor:	

AX6-ACTIF Series Thermally Adjustable Aluminum Round Swirl Diffusers

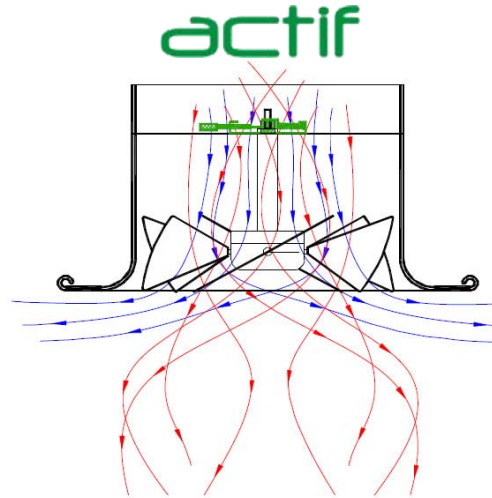
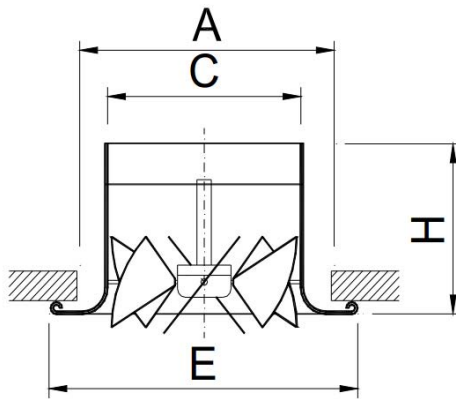


Material | Powder coated heavy gauge spun aluminum.

Air Pattern | 360° diffusion with horizontal swirl to downward flow adjustment, autonomously thermally adjusted by means of a thermodynamic piston.

Ceiling Types | Open and Closed.

AX6-ACTIF
by MADEL®



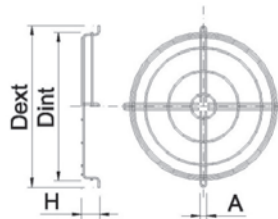
Select Model

✓	Model	Duct	A	C	E	H
	AX6-ACTIF 10	10	11 13/16	9 3/4	14 11/64	7 61/64
	AX6-ACTIF 12	12.5	15 3/4	12 21/64	18 17/64	8 55/64
	AX6-ACTIF 16	16	19 11/16	15 25/32	20 3/64	9 27/32
	AX6-ACTIF 20	20	24 13/32	19 9/16	27 11/64	12 3/64

All dimensions in inches

Options

CH6	Security grille for sports facilities
------------	---------------------------------------



Select Finish

	Powder Coated White (RAL 9016)
	Mill Finish
	Other RAL (specify) :

Project:

Engineer:

Architect:

Contractor:

AX6-ACTIF Series Thermally Adjustable Aluminum Round Swirl Diffusers

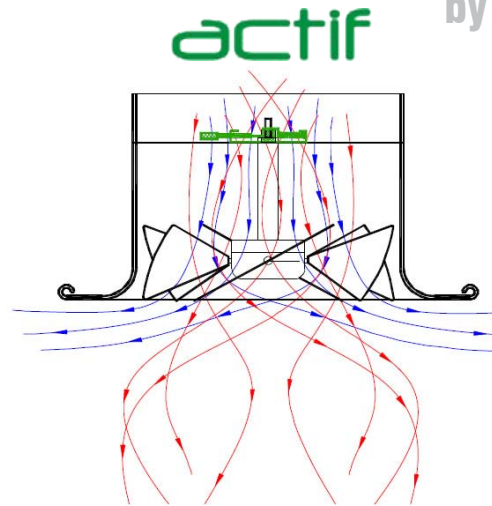
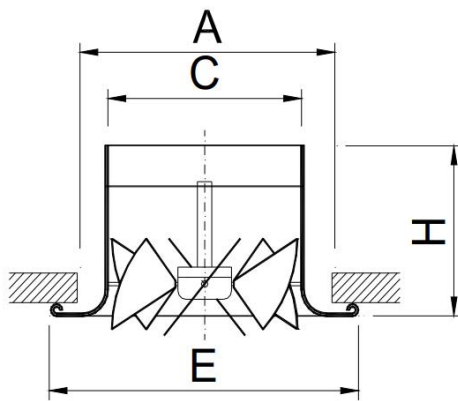


Material | Powder coated heavy gauge spun aluminum.

Air Pattern | 360° diffusion with horizontal swirl to downward flow adjustment, autonomously thermally adjusted by means of a thermodynamic piston.

Ceiling Types | Open and Closed.

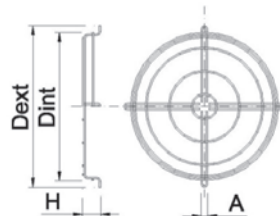
AX6-ACTIF
by MADEL®



Select Model						
✓	Model	Duct	A	C	E	H
	AX6-ACTIF 250	250	300	248	360	202
	AX6-ACTIF 315	315	400	313	464	225
	AX6-ACTIF 400	400	500	401	560	250
	AX6-ACTIF 500	500	620	497	690	306

All dimensions in millimeters (mm)

Options	
CH6	Security grille for sports facilities



Select Finish	
	Powder Coated White (RAL 9016)
	Mill Finish
	Other RAL (specify) :

Project:	
Engineer:	
Architect:	
Contractor:	

AX6-ACTIF-MOD Series Thermally Adjustable Aluminum Round Swirl Diffusers in Lay-In Panel



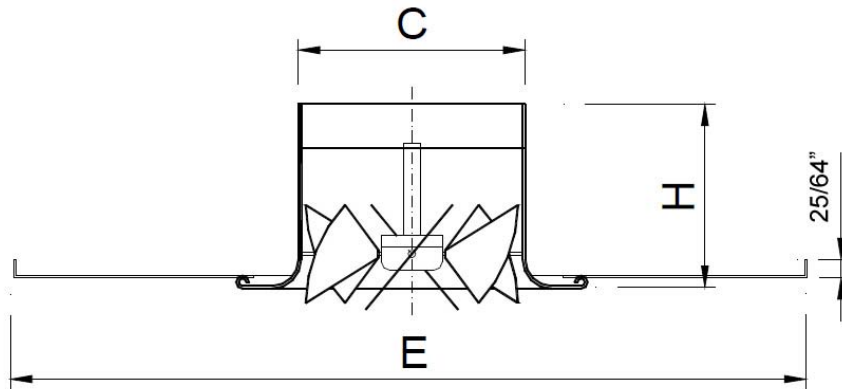
Material | Powder coated heavy gauge spun aluminum.

Air Pattern | 360° diffusion with horizontal swirl to downward flow adjustment, autonomously thermally adjusted by means of a thermodynamic piston.

Ceiling Types | Open and Closed.

AX6-ACTIF-MOD
by MADEL®

actif



Select Model					
✓	Model	Duct	C	E	H
	AX6-ACTIF 10	10	9 3/4	23 3/4	7 61/64
	AX6-ACTIF 12	12.5	12 21/64	23 3/4	8 55/64
	AX6-ACTIF 16	16	15 25/32	23 3/4	9 27/32

All dimensions in inches

Select Finish	
<input type="checkbox"/>	Powder Coated White (RAL 9016)
<input type="checkbox"/>	Mill Finish
<input type="checkbox"/>	Other RAL (specify) :

Project:	
Engineer:	
Architect:	
Contractor:	

AX6-ACTIF-MOD Series Thermally Adjustable Aluminum Round Swirl Diffusers in Lay-In Panel



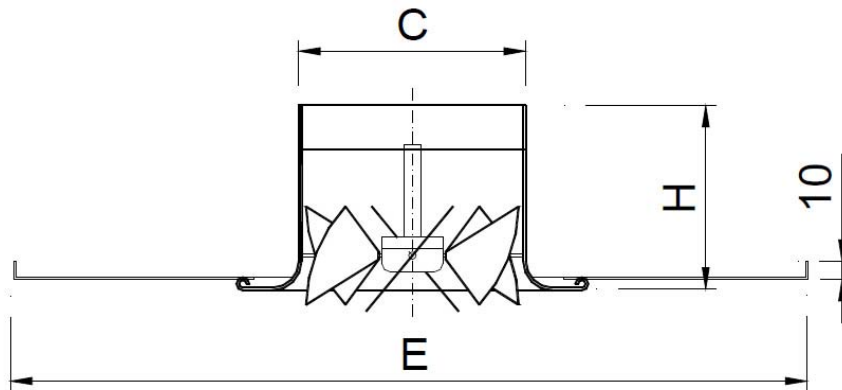
Material | Powder coated heavy gauge spun aluminum.

Air Pattern | 360° diffusion with horizontal swirl to downward flow adjustment, autonomously thermally adjusted by means of a thermodynamic piston.

Ceiling Types | Open and Closed.

AX6-ACTIF-MOD
by MADEL®

actif



Select Model					
✓	Model	Duct	C	E	H
	AX6-ACTIF 250	250	248	605	202
	AX6-ACTIF 315	315	313	605	225
	AX6-ACTIF 400	400	401	605	250

All dimensions in millimeters (mm)

Select Finish	
	Powder Coated White (RAL 9016)
	Mill Finish
	Other RAL (specify) :

Project:	
Engineer:	
Architect:	
Contractor:	

AX6-MO Series Actuator-Controlled Adjustable Aluminum Round Swirl Diffusers

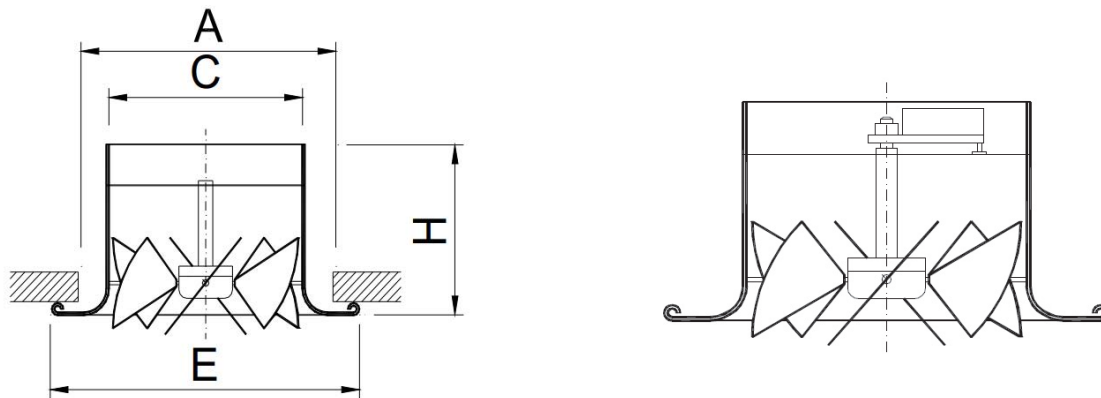
Material | Powder coated heavy gauge spun aluminum.

Air Pattern | 360° diffusion with horizontal swirl to downward flow adjustment, adjusted by means of an actuator.

Ceiling Types | Open and Closed.



AX6-MO
by MADEL®

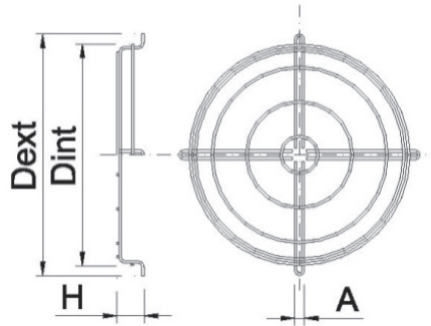


Select Model						
✓	Model	Duct	A	C	E	H
	AX6-MO 10	10	11 13/16	9 3/4	14 11/64	7 61/64
	AX6-MO 12	12.5	15 3/4	12 21/64	18 17/64	8 55/64
	AX6-MO 16	16	19 11/16	15 25/32	20 3/64	9 27/32
	AX6-MO 20	20	24 13/32	19 9/16	23 15/64	12 3/64
	AX6-MO 25	25	30 45/64	24 11/16	34 1/4	13 25/32

All dimensions in inches

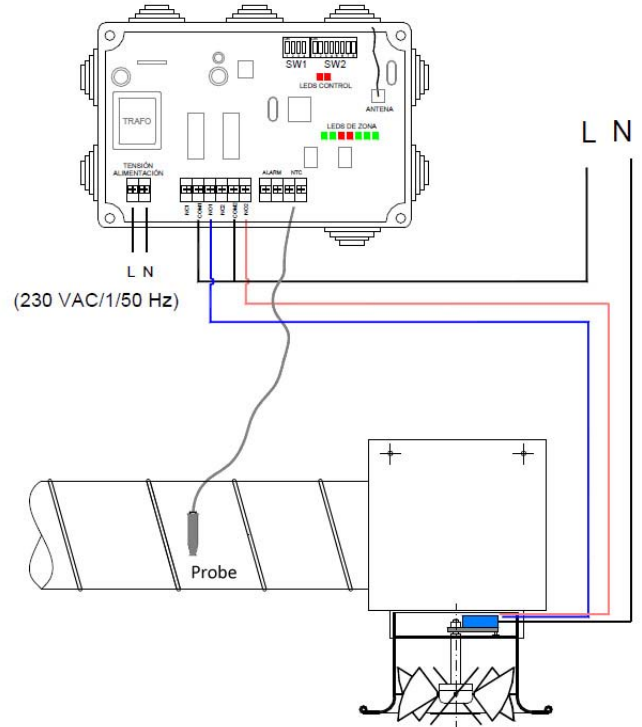
Select Actuator	
NM-24v	Belimo On/Off actuator, 24 V
NM-230v	Belimo On/Off actuator, 230 V
NM24-SR	Belimo proportional actuator, 24 V
GLB131.1E -24v	Siemens On/Off actuator, 24 V
GLB331.1E -230v	Siemens On/Off actuator, 230 V
GLB161.1E -24v	Siemens proportional actuator, 24 V

CH6



Duct Diameter	Dext	Dint	A	H
10"	13 25/32"	11 13/16"	35/64"	1 37/64"
12.5"	17 23/32"	15 3/4"	35/64"	1 37/64"
16"	21 21/32"	19 11/16"	43/64"	1 31/32"
20"	25 25/32"	23 5/8"	43/64"	3 5/32"
25"	33 55/64"	31 7/64"	25/32"	3 35/64"

Diftronic®



Options

CH6	Security grille for sports facilities
DIFTRONIC	Automatic control of the air supply angle

Select Finish

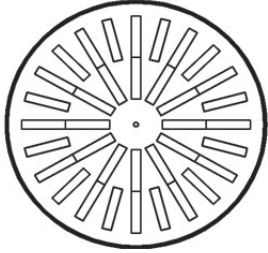
	Powder Coated White (RAL 9016)
	Mill Finish
	Other RAL (specify) :

Project:	
Engineer:	
Architect:	
Contractor:	

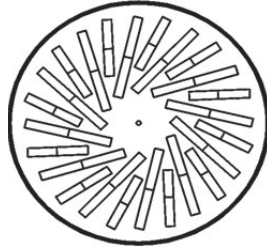
AXO-C Series Adjustable Vanes Round Swirl Diffusers



AXO-C
by MADEL®



AXO-C

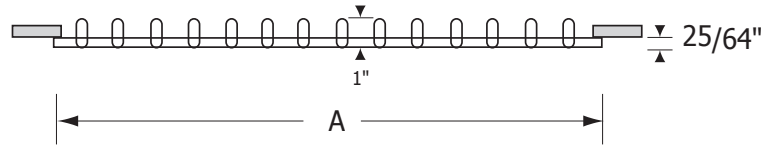


AXO-CY

Material | Powder coated stamped heavy gauge steel face and ABS vanes.

Air Pattern | Adjustable high induction swirl pattern, horizontal to vertical & directional.

Ceiling Types | Open and Closed.



Select Model					
✓	Imperial	A (in)	✓	Metric A (mm)	
	AXO-C 12	11 ³⁹ / ₆₄		AXO-C 300	295
	AXO-C 16	15 ³⁵ / ₆₄		AXO-C 400	395
	AXO-C 20	19 ³¹ / ₆₄		AXO-C 500	495
	AXO-C 25	24 ¹³ / ₃₂		AXO-C 625	620
	AXO-CY 25	24 ¹³ / ₃₂		AXO-CY 625	620
	AXO-C 33	32 ⁹ / ₃₂		AXO-C 825	820

Select Options	
<input type="checkbox"/>	Black ABS Vanes
<input type="checkbox"/>	White ABS Vanes

Select Finish	
<input type="checkbox"/>	Powder Coated White
<input type="checkbox"/>	Other (specify) :

Project:	
Engineer:	
Architect:	
Contractor:	

Important! PERFAIR plenums ordered separately

AXO-S Series Adjustable Vanes Square Swirl Diffusers

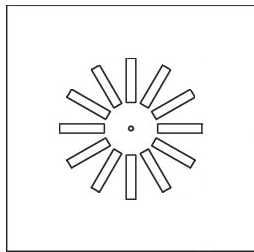
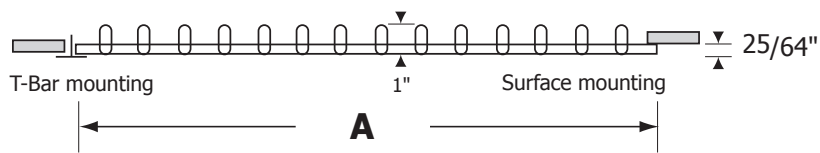
Material | Powder coated stamped heavy gauge steel face and ABS vanes.

Air Pattern | Adjustable high induction swirl pattern.

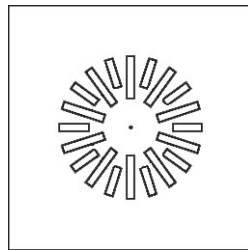
Ceiling Types | False, Open and Closed.



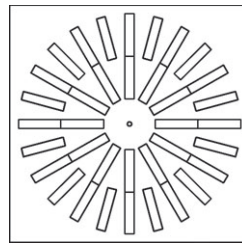
AXO-S
by MADEL®



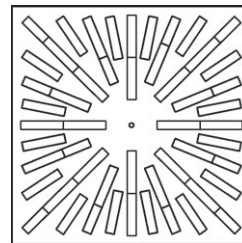
AXO-S300



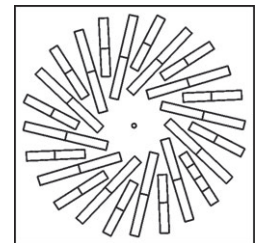
AXO-S400



AXO-S



AXO-SX



AXO-SY

Select Model

✓	Imperial	A (in)	✓	Metric	A (mm)
	AXO-S 12	11 3/4 x 11 3/4		AXO-S 299	299 x 299
	AXO-S 16	15 3/4 x 15 3/4		AXO-S 400	400 x 400
	AXO-S 20	19 3/4 x 18 3/4		AXO-S 500	500 x 500
	AXO-S 24	23 3/4 x 23 3/4		AXO-S 605	605 x 605
	AXO-S 32	31 3/4 x 31 3/4		AXO-S 800	800 x 800
	AXO-S300 24	23 3/4 x 23 3/4		AXO-S300 605	605 x 605
	AXO-S400 24	23 3/4 x 23 3/4		AXO-S400 605	605 x 605
	AXO-SX 24	23 3/4 x 23 3/4		AXO-SX 605	605 x 605
	AXO-SY 24	23 3/4 x 23 3/4		AXO-SY 605	605 x 605

Select Options	
<input type="checkbox"/>	Black ABS Vanes
<input type="checkbox"/>	White ABS Vanes

Select Finish	
<input type="checkbox"/>	Powder Coated White
<input type="checkbox"/>	Other (specify) :

Important! PERFAIR plenums must be ordered separately

Project:	
Engineer:	
Architect:	
Contractor:	

AXP Series Fixed Blades Round Swirl Diffusers

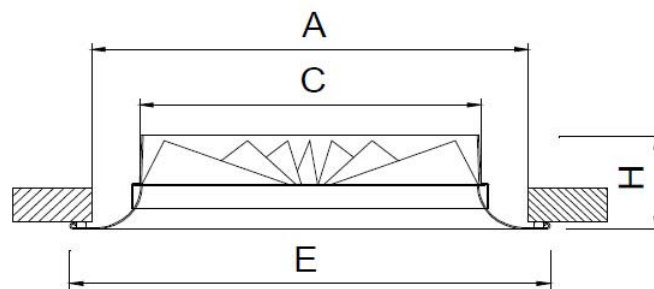
Material | Powder coated heavy gauge spun aluminum

Air Pattern | fixed 360° swirl diffusion

Ceiling Types | Open and Closed



AXP
by MADEL®



Select Model						
✓	Model	Duct	A	C	E	H
	AXP 05	5	7 9/16	4 25/32	9 1/16	2 7/8
	AXP 06	6	8 15/16	5 7/8	10 5/16	4 29/64
	AXP 08	8	10 5/8	7 51/64	12 1/64	2 61/64
	AXP 10	10	12 19/32	9 49/64	13 31/32	2 61/64
	AXP 12	12	15 5/64	11 7/8	16 29/64	4 27/32

All dimensions in inches (in)

Note: AXP 06 and AXP 12 have Metric to Imperial transitions installed. Transitions are made of unpainted stainless steel.

Options	
EQ	Air Equalizing Grid (Perforated Plate)
WT	Transition Powder Coated White (6" and 12" only)

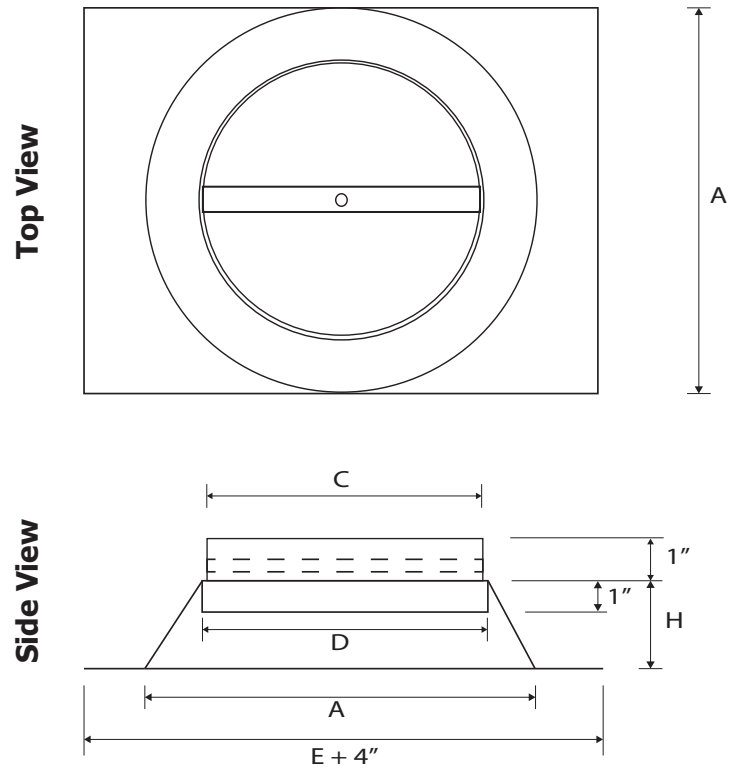
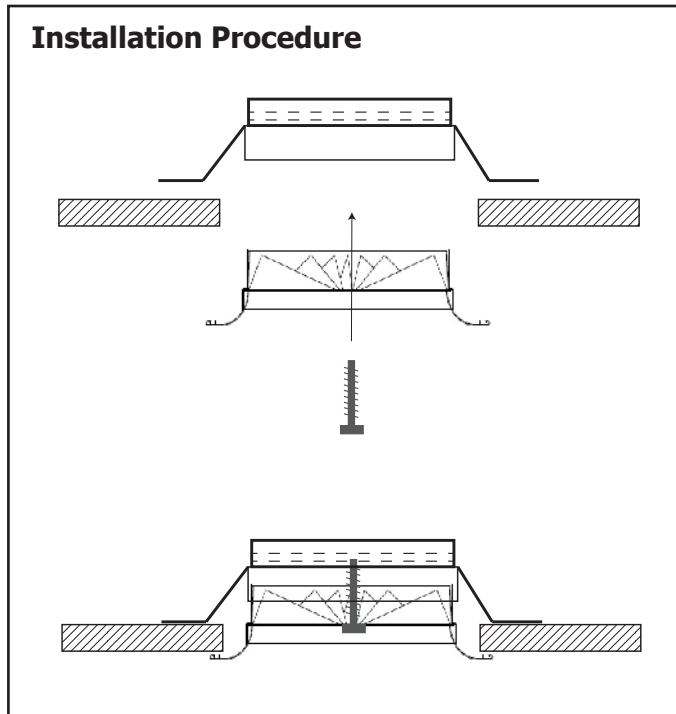
Select Finish	
	Powder Coated White (RAL 9016)
	Mill Finish
	Other RAL (specify) :

Project:	
Engineer:	
Architect:	
Contractor:	

DAAXP Series Drywall Adaptor For AXP Round Swirl Diffusers

Material | heavy gauge steel

Ceiling Types | Drywall



Select Model							
✓	Model	Duct	A	C	D	E	H
	DAAXP 05	5	7 9/16	4 7/8	5	9 1/16	2 1/2
	DAAXP 06	6	8 15/16	5 7/8	6 1/2	10 5/16	2 1/2
	DAAXP 08	8	10 5/8	7 7/8	8	12 1/64	2 1/2
	DAAXP 10	10	12 19/32	9 7/8	10	13 31/32	2 1/2
	DAAXP 12	12	15 5/64	11 7/8	12 1/2	16 29/64	3

All dimensions in inches (in)

Project:	
Engineer:	
Architect:	
Contractor:	

AXP Series Fixed Blades Round Swirl Diffusers

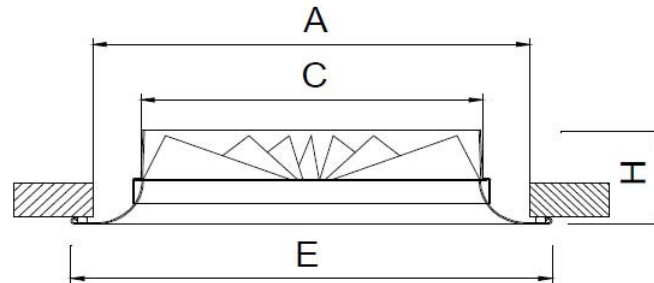
Material | Powder coated heavy gauge spun aluminum

Air Pattern | fixed 360° swirl diffusion

Ceiling Types | Open and Closed



AXP
by MADEL®



Select Model						
✓	Model	Duct	A	C	E	H
	AXP 125	125	192	123	230	75
	AXP 160	160	227	158	262	75
	AXP 200	200	270	198	305	75
	AXP 250	250	320	248	355	75
	AXP 315	315	383	313	418	85

All dimensions in millimeters (mm)

Options	
EQ	Air Equalizing Grid (Perforated Plate)

Select Finish	
	Powder Coated White (RAL 9016)
	Mill Finish
	Other RAL (specify) :

Project:	
Engineer:	
Architect:	
Contractor:	

BWC Series Steel Adjustable Round Ventilation Valves

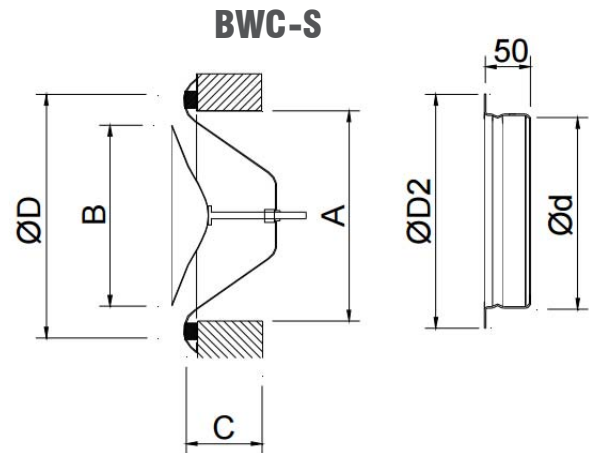
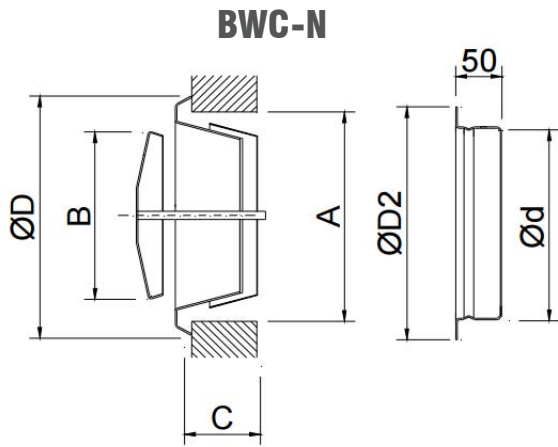
Material | Powder coated heavy gauge steel.

Air Pattern | 360° diffusion with flow adjustment.

Ceiling Types | Drywall and duct.



BWC-N



Select Model							
✓	Model	A	B	C	Ød	ØD2	ØD
	BWC-N 04	4.09"	2.95"	1.57"	3.9"	4.92"	5.39"
	BWC-N 05	5.08"	3.9"	1.81"	4.88"	5.91"	6.46"
	BWC-N 06	6.65"	5.08"	2.13"	5.9"	6.91"	7.75"
	BWC-N 08	8.23"	6.18"	2.48"	7.83"	8.85"	9.76"
	BWC-S 04	4.09"	2.95"	1.57"	3.9"	4.8"	5.51"
	BWC-S 05	5.08"	3.9"	1.81"	4.88"	5.83"	6.69"
	BWC-S 06	6.65"	4.69"	2.13"	5.9"	6.91"	7.85"
	BWC-S 08	8.23"	6.18"	2.52"	7.83"	8.85"	10"

All dimensions in inches

Select Finish	
<input type="checkbox"/>	Powder Coated White
<input type="checkbox"/>	Other (specify) :

Project:	
Engineer:	
Architect:	
Contractor:	

DCG Series Manually Adjustable Aluminum Round Diffusers

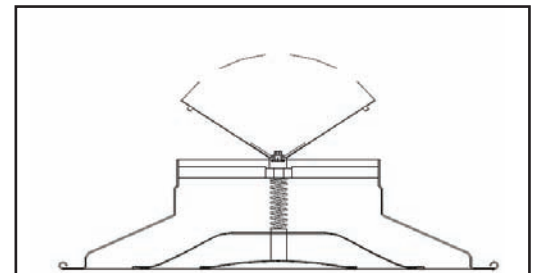
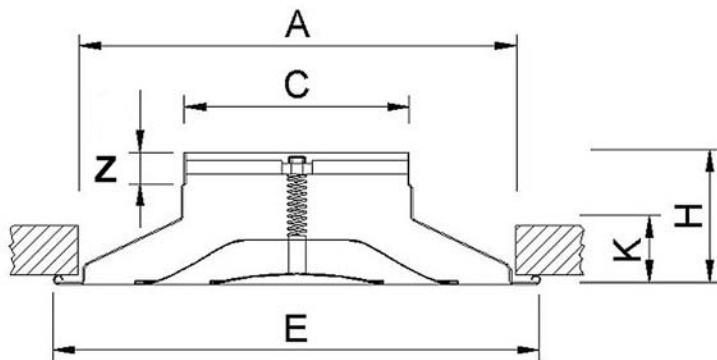
Material | Powder coated heavy gauge spun aluminum.

Air Pattern | 360° diffusion with vertical throw adjustment.

Ceiling Types | Open and Closed.



DCG
by MADEL®



DCG-R3G

Integrated Butterfly Volume Damper
(N/A for 6" and 12")



OBD

Opposed Blade
Damper



RSBD

Radial Sliding
Blade Damper

(both only for 6" and 12")

Select Model							
✓	Model	A	C	E	H	K	Z
	DCG 06	11 59/64	5 3/4	13 5/16	4 15/16	1 47/64	1
	DCG 08	15 5/32	7 3/4	16 47/64	4 17/32	2 9/32	1
	DCG 10	18 17/64	9 3/4	19 3/8	4 31/64	2 1/4	1
	DCG 12	22 13/64	11 3/4	23 17/64	6 19/32	3 5/32	1
	DCG 14	24 13/16	13 29/32	26 1/16	5 33/64	3 17/64	1
	DCG 16	24 13/16	15 43/64	26 1/16	5 5/32	2 59/64	1
	DCG 18	31 7/32	17 19/32	32 3/4	6 13/16	4 11/64	1
	DCG 20	31 7/32	19 9/16	32 3/4	6 27/64	3 13/16	1

All dimensions in inches

Select Model	
✓	Model
	DCG-R3G 08
	DCG-R3G 10
	DCG-R3G 14
	DCG-R3G 16
	DCG-R3G 18
	DCG-R3G 20

Select Model	
✓	Model
	DCG-OBD 06
	DCG-OBD 12
Select Model	
✓	Model
	DCG-RSBD 06
	DCG-RSBD 12

Select Finish	
	Powder Coated White
	Other (specify) :

Project:	
Engineer:	
Architect:	
Contractor:	

DCG Series Manually Adjustable Aluminum Round Diffuser

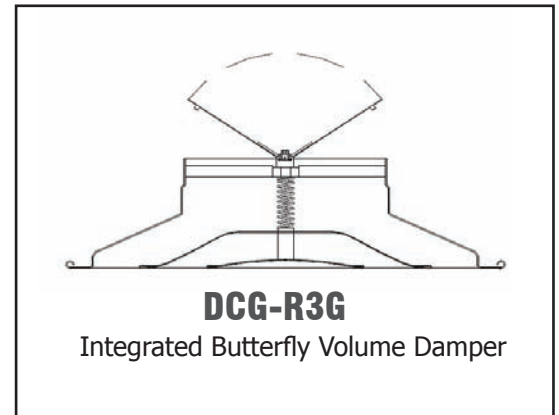
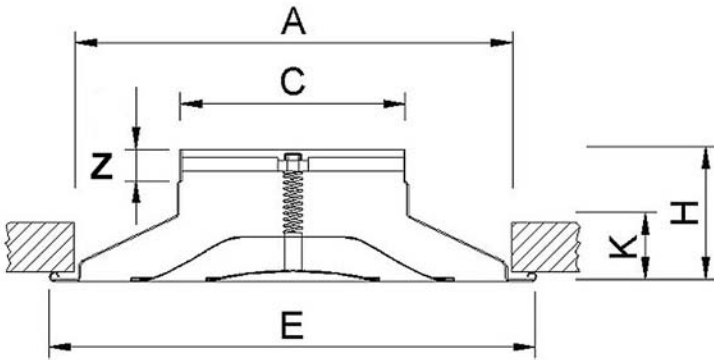
Material | Powder coated heavy gauge spun aluminum.

Air Pattern | 360° diffusion with vertical throw adjustment.

Ceiling Types | Open and Closed.



DCG
by MADEL®



Select Model										
✓	Model	Duct	A	C	E	H	K	Z	Model	✓
	DCG 160	160	303	157	331	101	44	25	DCG-R3G 160	
	DCG 200	200	385	197	425	115	58	25	DCG-R3G 200	
	DCG 250	250	464	247	492	114	57	25	DCG-R3G 250	
	DCG 315	315	564	313	591	137	80	25	DCG-R3G 315	
	DCG 355	355	630	353	662	140	83	25	DCG-R3G 355	
	DCG 400	400	630	398	662	131	74	25	DCG-R3G 400	
	DCG 450	450	793	447	832	173	106	25	DCG-R3G 450	
	DCG 500	500	793	497	832	163	97	25	DCG-R3G 500	

All dimensions in millimeters (mm)

Select Finish	
<input type="checkbox"/>	Powder Coated White
<input type="checkbox"/>	Other (specify) :

Project:	
Engineer:	
Architect:	
Contractor:	

DCG-ACTIF Series Thermally Adjustable Aluminum Round Diffusers

Material | Powder coated heavy gauge spun aluminum.

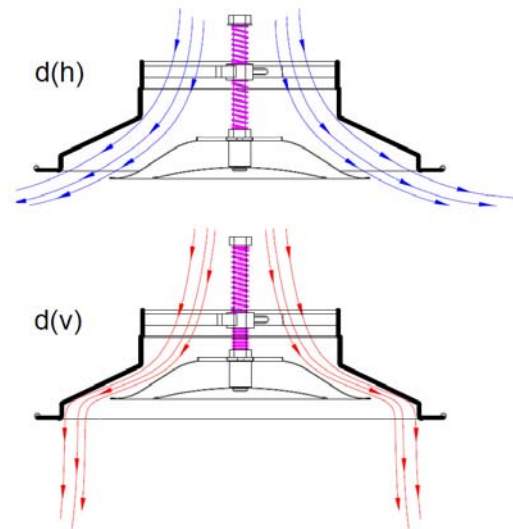
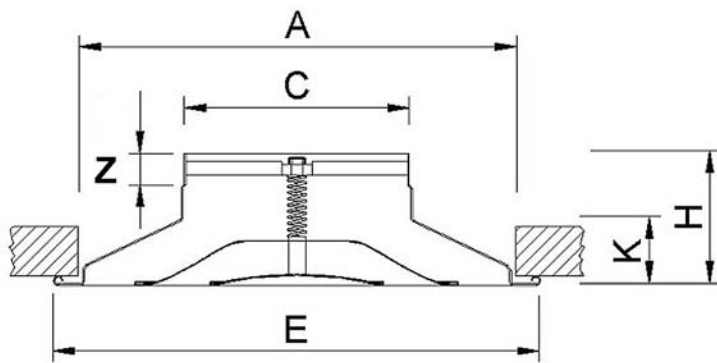
Air Pattern | 360° diffusion with horizontal to vertical flow adjustment, autonomously adjusted by means of a thermodynamic spring.

Ceiling Types | Open and Closed.



DCG-ACTIF
by MADEL®

actif



Select Model								
✓	Model	Duct	A	C	E	H	K	Z
	DCG-ACTIF 160	6	11 59/64	5 3/4	13 5/16	4 15/16	1 47/64	1
	DCG-ACTIF 200	8	15 5/32	7 3/4	16 47/64	4 17/32	2 9/32	1
	DCG-ACTIF 250	10	18 17/64	9 3/4	19 3/8	4 31/64	2 1/4	1
	DCG-ACTIF 315	12	22 13/64	11 3/4	23 17/64	6 19/32	3 5/32	1

All dimensions in inches (in)

Select Finish	
<input type="checkbox"/>	Powder Coated White
<input type="checkbox"/>	Other (specify) :

Project:	
Engineer:	
Architect:	
Contractor:	

DCG-ACTIF Series Thermally Adjustable Aluminum Round Diffusers

Material | Powder coated heavy gauge spun aluminum.

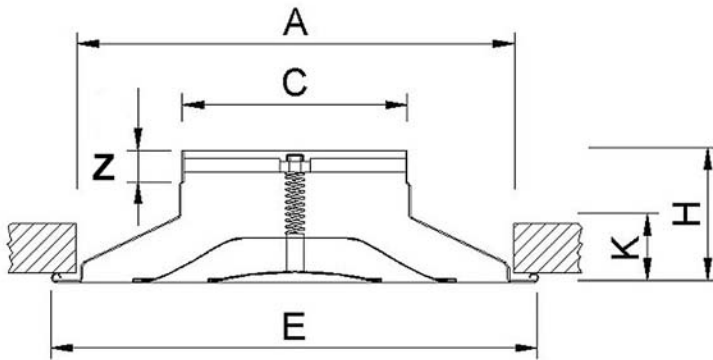
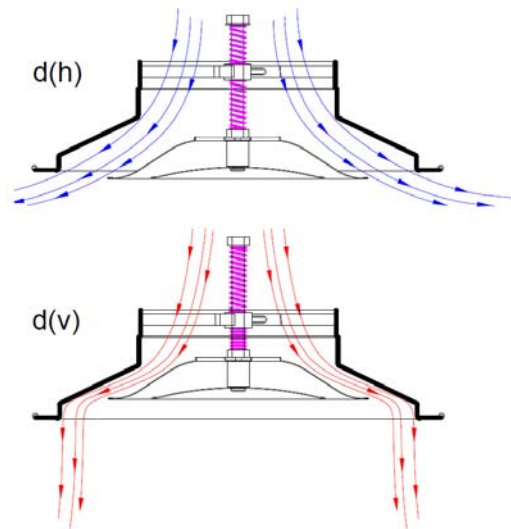
Air Pattern | 360° diffusion with horizontal to vertical flow adjustment, autonomously adjusted by means of a thermodynamic spring.

Ceiling Types | Open and Closed.



DCG-ACTIF
by MADEL®

actif



Select Model

✓	Model	Duct	A	C	E	H	K	Z
	DCG-ACTIF 160	160	303	157	331	101	44	25
	DCG-ACTIF 200	200	385	197	425	115	58	25
	DCG-ACTIF 250	250	464	247	492	114	57	25
	DCG-ACTIF 315	315	564	313	591	137	80	25

All dimensions in millimeters (mm)

Select Finish

	Powder Coated White
	Other (specify) :

Project:

Engineer:

Architect:

Contractor:

DCG-M150-L Series Manually Adjustable Aluminum Round Diffusers

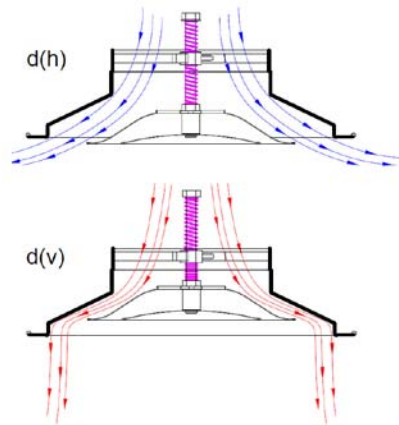
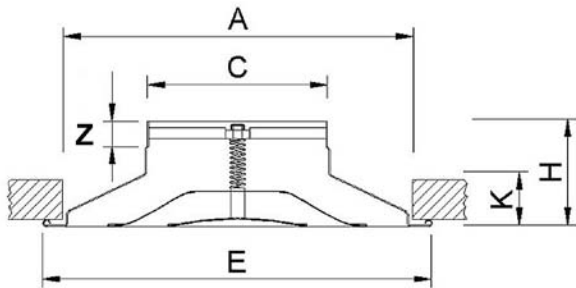
Material | Powder coated heavy gauge spun aluminum.

Air Pattern | 360° diffusion with vertical throw adjustment.

Ceiling Types | Open and Closed.



DCG-M150-L
by MADEL®

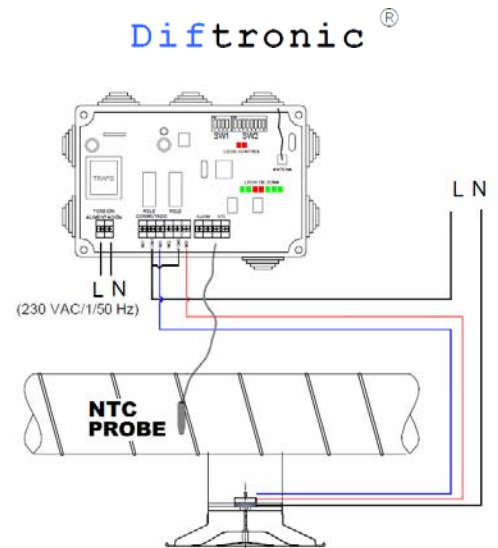


Select Model							
✓	Model	A	C	E	H	K	Z
	DCG-M150-L 06	11 59/64	5 3/4	13 5/16	4 15/16	1 47/64	1
	DCG-M150-L 08	15 5/32	7 3/4	16 47/64	4 17/32	2 9/32	1
	DCG-M150-L 10	18 17/64	9 3/4	19 3/8	4 31/64	2 1/4	1
	DCG-M150-L 12	22 13/64	11 3/4	23 17/64	6 19/32	3 5/32	1
	DCG-M150-L 14	24 13/16	13 29/32	26 1/16	5 33/64	3 17/64	1
	DCG-M150-L 16	24 13/16	15 43/64	26 1/16	5 5/32	2 59/64	1
	DCG-M150-L 18	31 7/32	17 19/32	32 3/4	6 13/16	4 11/64	1
	DCG-M150-L 20	31 7/32	19 9/16	32 3/4	6 27/64	3 13/16	1

All dimensions in inches

Options	
DIFTRONIC	Automatic control of the air supply angle

Select Finish	
	Powder Coated White
	Other (specify) :



Project:	
Engineer:	
Architect:	
Contractor:	

DSO Series Manually Adjustable Aluminum Round Diffusers

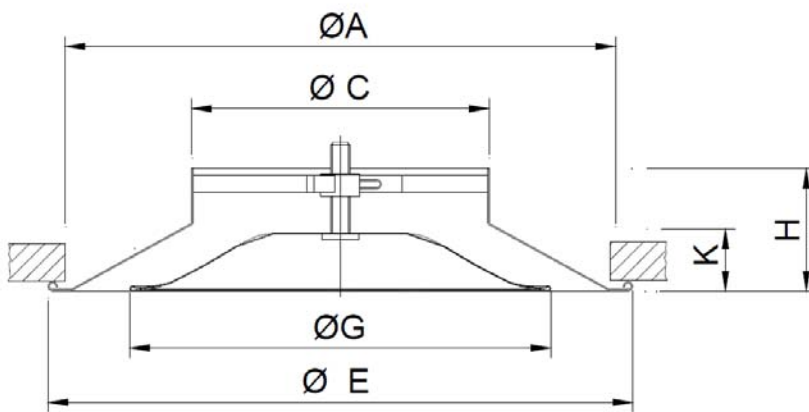
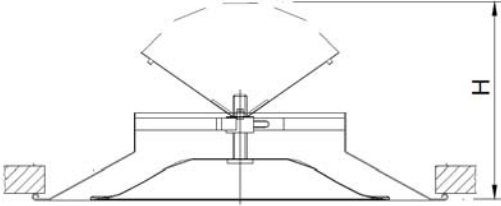
Material | Powder coated heavy gauge spun aluminum.

Air Pattern | 360° diffusion with vertical throw adjustment.


Ceiling Types | Open and Closed.




DSO
by MADEL®

DSO-R3G
Integrated Butterfly Volume Damper
(N/A for 6" and 12")



OBD
Opposed Blade Damper



RSBD
Radial Sliding Blade Damper

(both only for 6" and 12")

Select Model						
✓	Model	A	C	E	H	K
	DSO 06	11 13/16	5 3/4	12 51/64	4 15/16	1 47/64
	DSO 08	15 43/54	7 3/4	16 47/64	4 17/32	2 9/32
	DSO 10	19 11/64	9 3/4	20 5/64	5 3/64	2 53/64
	DSO 12	21 21/32	11 3/4	22 41/64	6 19/32	3 5/32

All dimensions in inches

Select Model	
✓	Model
	DSO-R3G 08
	DSO-R3G 10
	DSO-OBD 06
	DSO-OBD 12
	DSO-RSBD 06
	DSO-RSBD 12

Select Finish	
	Powder Coated White
	Other (specify) :

Project:	
Engineer:	
Architect:	
Contractor:	

DSO Series

Manually Adjustable Aluminum Round Diffuser

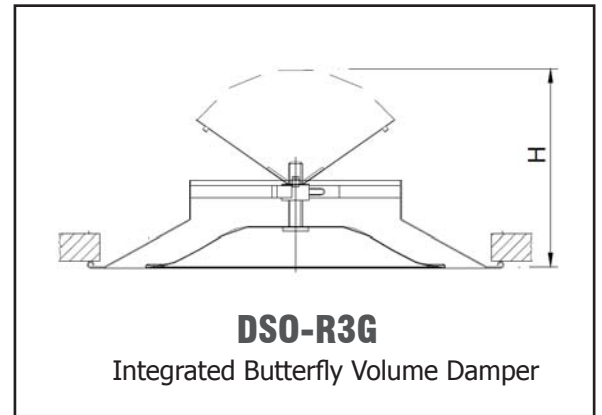
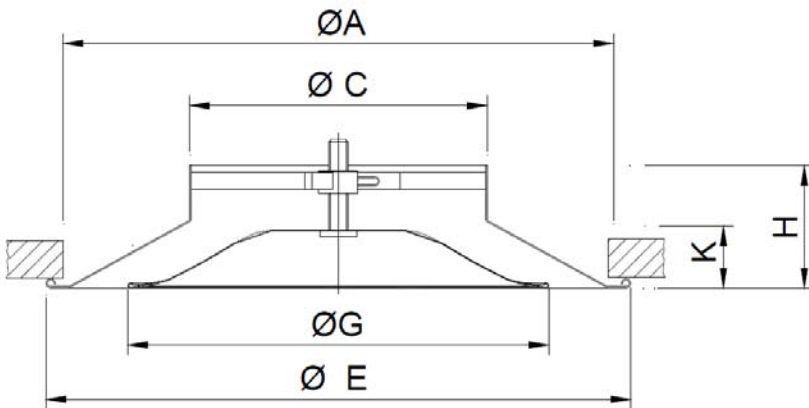
Material | Powder coated heavy gauge spun aluminum.

Air Pattern | 360° diffusion with vertical throw adjustment.

Ceiling Types | Open and Closed.



DSO
by MADEL®



Select Model									
✓	Model	Duct	A	C	E	H	K	Model	✓
	DSO 160	160	300	157	325	101	44	DSO-R3G 160	
	DSO 200	200	398	197	425	115	58	DSO-R3G 200	
	DSO 250	250	487	248	510	128	72	DSO-R3G 250	
	DSO 315	315	550	313	575	137	80	DSO-R3G 315	

All dimensions in millimeters (mm)

Select Finish	
<input type="checkbox"/>	Powder Coated White
<input type="checkbox"/>	Other (specify) :

Project:	
Engineer:	
Architect:	
Contractor:	

DSO-MOD Series Manually Adjustable Aluminum Round Diffusers

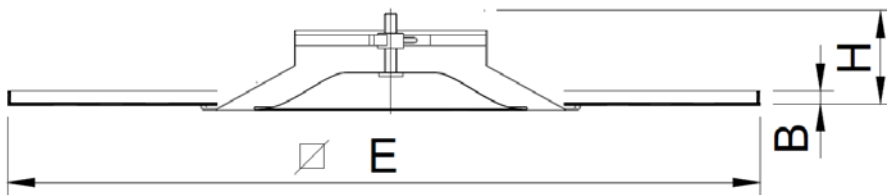
Material | Powder coated heavy gauge spun aluminum.

Air Pattern | 360° diffusion with vertical throw adjustment.

Ceiling Types | Open and Closed.



DSO-MOD
by MADEL®

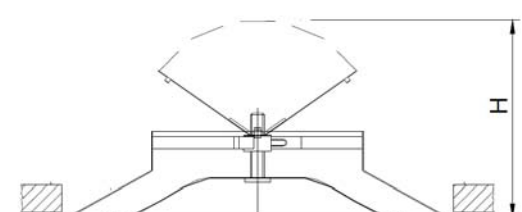


Select Model				
✓	Model	B	E	H
	DSO-MOD 06	15/32	23 3/4	4 15/16
	DSO-MOD 08	15/32	23 3/4	4 17/32
	DSO-MOD 10	15/32	23 3/4	5 3/64
	DSO-MOD 12	15/32	23 3/4	6 19/32


All dimensions in inches
For other dimensions see DSO

Select Model	
✓	Model
	DSO-MOD-R3G 08
	DSO-MOD-R3G 10
	DSO-MOD-OBD 06
	DSO-MOD-OBD 12
	DSO-MOD-RSBD 06
	DSO-MOD-RSBD 12

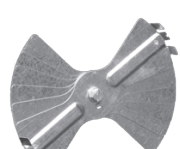
Select Finish	
	Powder Coated White
	Other (specify) :



DSO-R3G
Integrated Butterfly Volume Damper
(N/A for 6" and 12")



OBD
Opposed Blade Damper



RSBD
Radial Sliding Blade Damper

(both only for 6" and 12")

Project:	
Engineer:	
Architect:	
Contractor:	

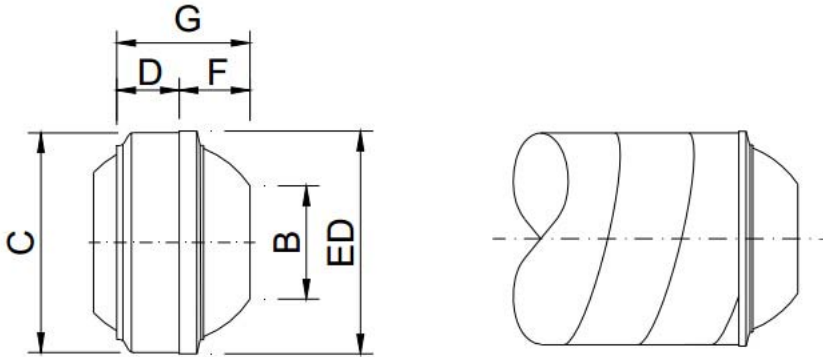
KAM-D Series Manually Adjustable Jet Nozzle, Duct Mounted

Material | Powder coated heavy gauge spun aluminum.

Air Pattern | Adjustable directional jet, long throw.



KAM-D
by MADEL®



Select Model

✓	Model	Duct Size	B	C	D	ED	F	G
	KAM-D 05	5"D	2 13/32"	4 27/32"	2 11/64"	4 61/64"	1 1/16"	3 11/32"
	KAM-D 06	6.5"D	3 5/32"	6 7/32"	2 11/64"	6 3/8"	1 11/32"	3 5/8"
	KAM-D 08	8"D	4 1/64"	7 51/64"	2 29/32"	7 63/64"	1 37/64"	4 51/64"
	KAM-D 10	10"D	5 1/8"	9 49/64"	3 57/64"	9 61/64"	1 57/64"	6 7/32"
	KAM-D 12	12.5"D	6 17/32"	12 21/64"	4 61/64"	12 19/32"	2 1/4"	7 23/32"
	KAM-D 16	16"D	8 11/32"	15 43/64"	6 3/8"	15 29/32"	2 61/64"	10 9/32"

All dimensions in inches (in)

Select Finish

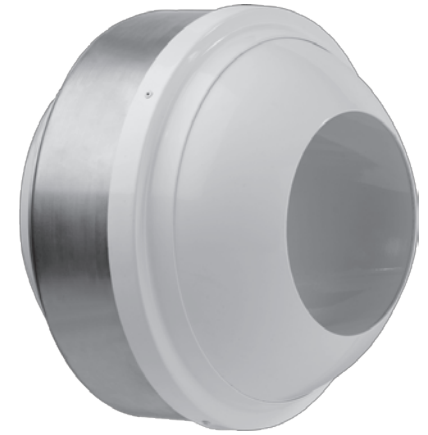
M9016	Powder Coated White RAL 9016
M9006	Powder Coated Metallic Grey RAL 9006
RAL xxxx	Please Specify:

Project:	
Engineer:	
Architect:	
Contractor:	

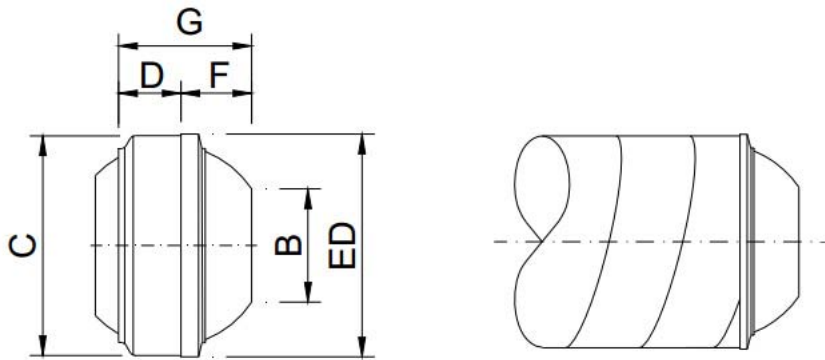
KAM-D Series Manually Adjustable Jet Nozzle, Duct Mounted

Material | Powder coated heavy gauge spun aluminum.

Air Pattern | Adjustable directional jet, long throw.



KAM-D
by MADEL®



Select Model								
✓	Model	Duct Size	B	C	D	ED	F	G
	KAM-D 125	125	61	123	55	126	27	85
	KAM-D 160	160	80	158	55	162	34	92
	KAM-D 200	200	102	198	74	203	40	122
	KAM-D 250	250	130	248	99	253	48	158
	KAM-D 315	315	166	313	126	320	57	196
	KAM-D 400	400	212	398	162	404	75	261

All dimensions in millimeters (mm)

Select Finish	
M9016	Powder Coated White RAL 9016
M9006	Powder Coated Metallic Grey RAL 9006
RAL xxxx	Please Specify:

Project:	
Engineer:	
Architect:	
Contractor:	

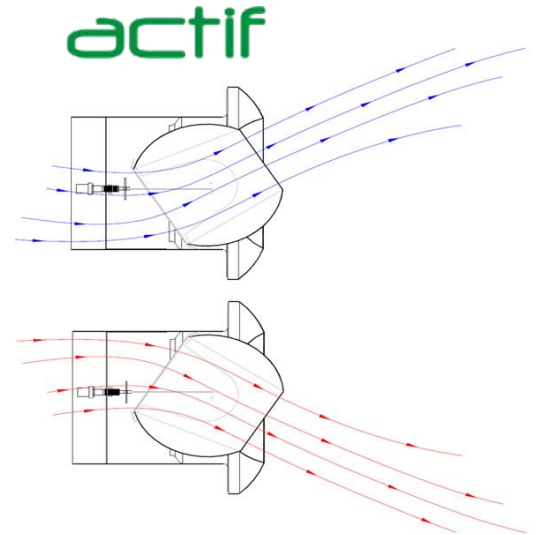
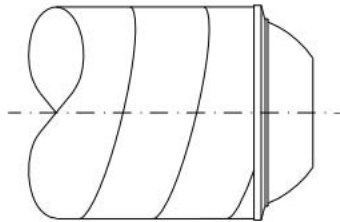
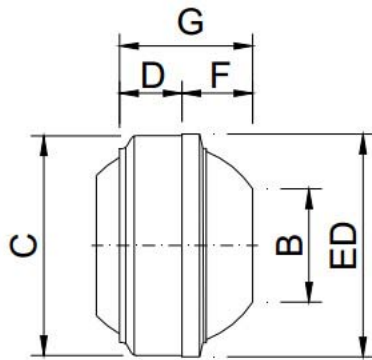
KAM-D-ACTIF Series Thermally Adjustable Jet Nozzle For Duct Mount

Material | Powder coated heavy gauge spun aluminum.

Air Pattern | Thermally adjustable directional jet, long throw. Horizontal jet is autonomously thermally adjusted up and down by means of a thermodynamic piston.



KAM-D-ACTIF
by MADEL®



Select Model								
✓	Model	Duct Size	B	C	D	ED	F	G
	KAM-D-ACTIF 08	8"D	4 1/64"	7 51/64"	2 29/32"	7 63/64"	1 37/64"	4 51/64"
	KAM-D-ACTIF 10	10"D	5 1/8"	9 49/64"	3 57/64"	9 61/64"	1 57/64"	6 7/32"
	KAM-D-ACTIF 12	12.5"D	6 17/32"	12 21/64"	4 61/64"	12 19/32"	2 1/4"	7 23/32"

All dimensions in inches (in)

Select Finish	
M9016	Powder Coated White RAL 9016
M9006	Powder Coated Metallic Grey RAL 9006
RAL xxxx	Please Specify:

Project:	
Engineer:	
Architect:	
Contractor:	

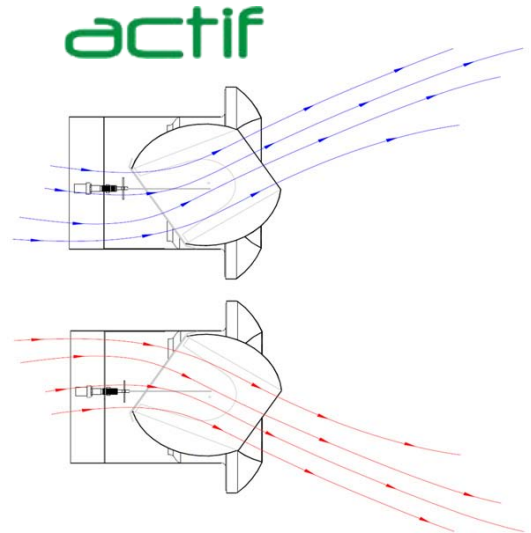
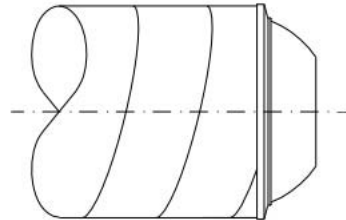
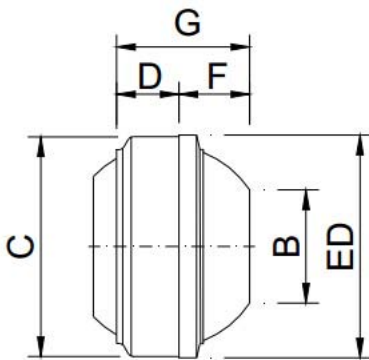
KAM-D-ACTIF Series Thermally Adjustable Jet Nozzle For Duct Mount

Material | Powder coated heavy gauge spun aluminum.

Air Pattern | Thermally adjustable directional jet, long throw. Horizontal jet is autonomously thermally adjusted up and down by means of a thermodynamic piston.



KAM-D-ACTIF
by MADEL®



Select Model								
✓	Model	Duct Size	B	C	D	ED	F	G
	KAM-D-ACTIF 200	200	102	198	74	203	40	122
	KAM-D-ACTIF 250	250	130	248	99	253	48	158
	KAM-D-ACTIF 315	315	166	313	126	320	57	196

All dimensions in millimeters (mm)

Select Finish	
M9016	Powder Coated White RAL 9016
M9006	Powder Coated Metallic Grey RAL 9006
RAL xxxx	Please Specify:

Project:	
Engineer:	
Architect:	
Contractor:	

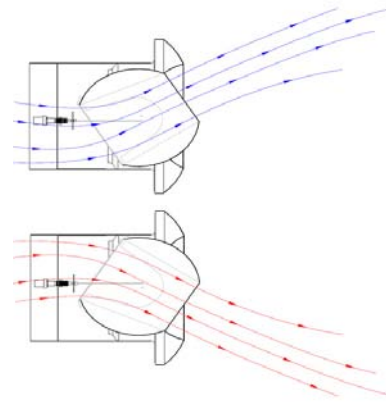
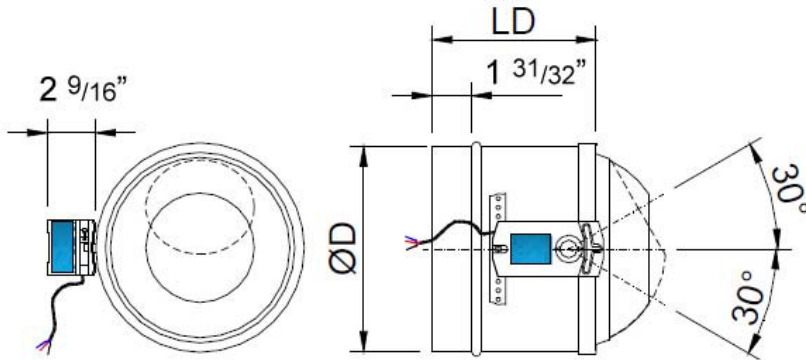
KAM-D-M5 Series Jet Nozzle For Duct Mount Adjusted by On/Off Actuator

Material | Powder coated heavy gauge spun aluminum.

Air Pattern | Adjustable directional jet, long throw. Horizontal jet is adjusted up and down by means of an On/Off Actuator.



KAM-D
by MADEL®

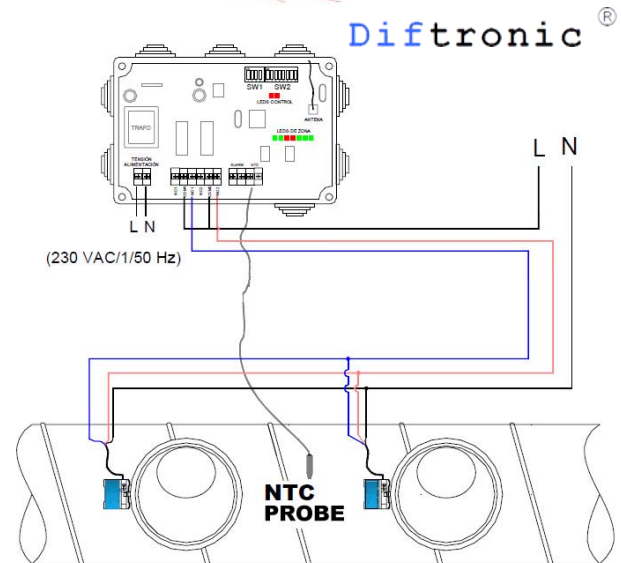


Select Model			
✓	Model	Duct Size	LD
	KAM-D-M5 10	10"D	9 49/64"
	KAM-D-M5 12	12.5"D	12 21/64"
	KAM-D-M5 14	14"D	15 43/64"

All dimensions in inches (in)

Options	
DIFTRONIC	Automatic control of the air supply angle

Select Finish	
M9016	Powder Coated White RAL 9016
M9006	Powder Coated Metallic Grey RAL 9006
RAL xxxx	Please Specify:



Project:	
Engineer:	
Architect:	
Contractor:	

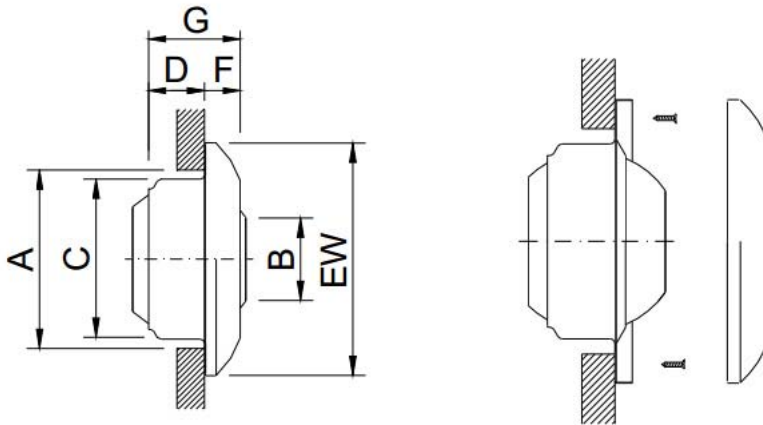
KAM-W Series Manually Adjustable Jet Nozzle, Surface Mounted

Material | Powder coated heavy gauge spun aluminum.

Air Pattern | Adjustable directional jet, long throw.



KAM-W
by MADEL®



Select Model								
✓	Model	Duct Size A	B	C	D	EW	F	G
	KAM-W 05	5"D	2 13/32"	4 27/32"	2 11/64"	7 1/8"	1 1/16"	3 11/32"
	KAM-W 06	6.5"D	3 5/32"	6 7/32"	2 11/64"	9 3/32"	1 11/32"	3 5/8"
	KAM-W 08	8"D	4 1/64"	7 51/64"	2 29/32"	11 3/8"	1 37/64"	4 51/64"
	KAM-W 10	10"D	5 1/8"	9 49/64"	3 57/64"	14 9/64"	1 57/64"	6 7/32"
	KAM-W 12	12.5"D	6 17/32"	12 21/64"	4 61/64"	17 53/64"	2 1/4"	7 23/32"
	KAM-W 16	16"D	8 11/32"	15 43/64"	6 3/8"	22 41/64"	2 61/64"	10 9/32"

All dimensions in inches (in)

Select Finish	
M9016	Powder Coated White RAL 9016
M9006	Powder Coated Metallic Grey RAL 9006
RAL xxxx	Please Specify:

Project:	
Engineer:	
Architect:	
Contractor:	

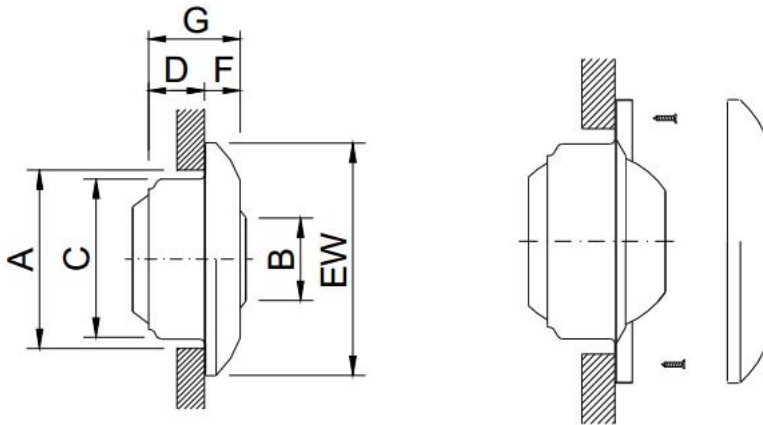
KAM-W Series Manually Adjustable Jet Nozzle, Surface Mounted

Material | Powder coated heavy gauge spun aluminum.

Air Pattern | Adjustable directional jet, long throw.



KAM-W
by MADEL®



Select Model								
✓	Model	Duct Size A	B	C	D	EW	F	G
	KAM-W 125	125	61	123	55	181	27	85
	KAM-W 160	160	80	158	55	231	34	92
	KAM-W 200	200	102	198	74	289	40	122
	KAM-W 250	250	130	248	99	359	48	158
	KAM-W 315	315	166	313	126	453	57	196
	KAM-W 400	400	212	398	162	575	75	261

All dimensions in millimeters (mm)

Select Finish	
M9016	Powder Coated White RAL 9016
M9006	Powder Coated Metallic Grey RAL 9006
RAL xxxx	Please Specify:

Project:	
Engineer:	
Architect:	
Contractor:	

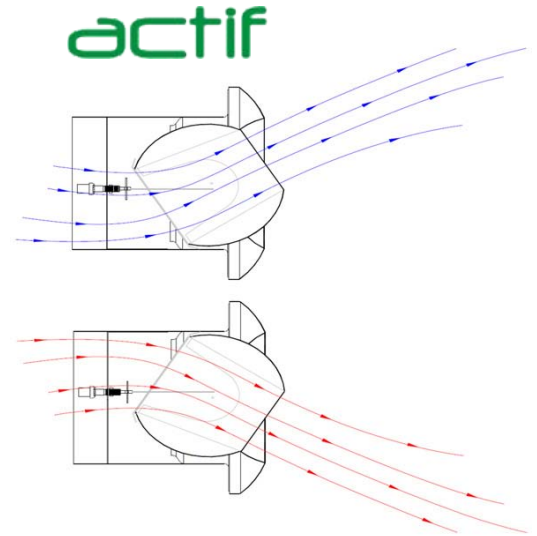
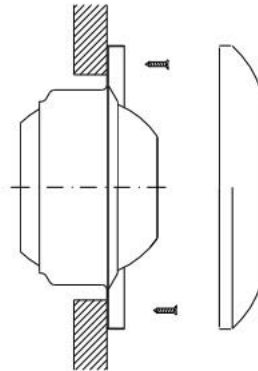
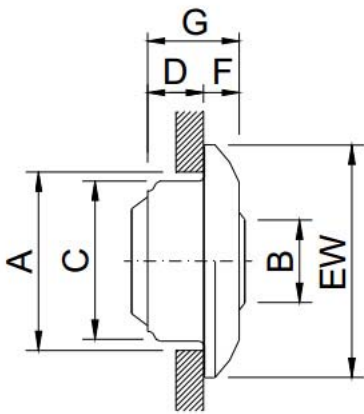
KAM-W-ACTIF Series Thermally Adjustable Jet Nozzle For Surface Mount

Material | Powder coated heavy gauge spun aluminum.

Air Pattern | Thermally adjustable directional jet, long throw. Horizontal jet is autonomously thermally adjusted up and down by means of a thermodynamic piston.



KAM-W-ACTIF
by MADEL®



Select Model

✓	Model	Duct Size A	B	C	D	EW	F	G
	KAM-W-ACTIF 08	8"D	4 1/64"	7 51/64"	2 29/32"	11 3/8"	1 37/64"	4 51/64"
	KAM-W-ACTIF 10	10"D	5 1/8"	9 49/64"	3 57/64"	14 9/64"	1 57/64"	6 7/32"
	KAM-W-ACTIF 12	12.5"D	6 17/32"	12 21/64"	4 61/64"	17 53/64"	2 1/4"	7 23/32"

All dimensions in inches (in)

Select Finish

M9016	Powder Coated White RAL 9016
M9006	Powder Coated Metallic Grey RAL 9006
RAL xxxx	Please Specify:

Project:

Engineer:

Architect:

Contractor:

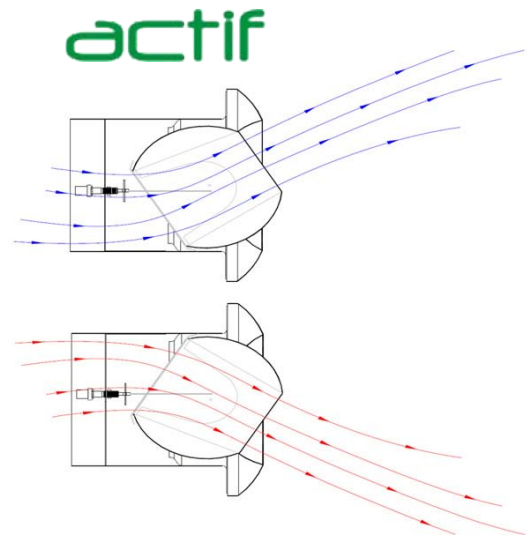
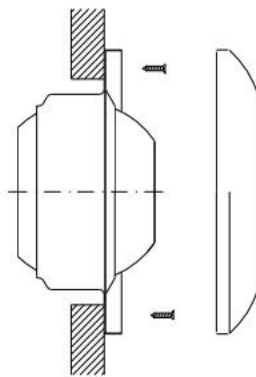
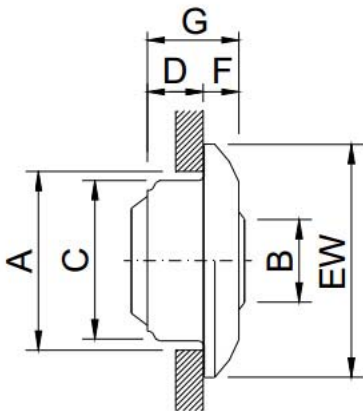
KAM-W-ACTIF Series Thermally Adjustable Jet Nozzle For Surface Mount

Material | Powder coated heavy gauge spun aluminum.

Air Pattern | Thermally adjustable directional jet, long throw. Horizontal jet is autonomously thermally adjusted up and down by means of a thermodynamic piston.



KAM-W-ACTIF
by MADEL®



Select Model								
✓	Model	Duct Size A	B	C	D	EW	F	G
	KAM-W-ACTIF 200	200	102	198	74	289	40	122
	KAM-W-ACTIF 250	250	130	248	99	359	48	158
	KAM-W-ACTIF 315	315	166	313	126	453	57	196

All dimensions in millimeters (mm)

Select Finish	
M9016	Powder Coated White RAL 9016
M9006	Powder Coated Metallic Grey RAL 9006
RAL xxxx	Please Specify:

Project:	
Engineer:	
Architect:	
Contractor:	

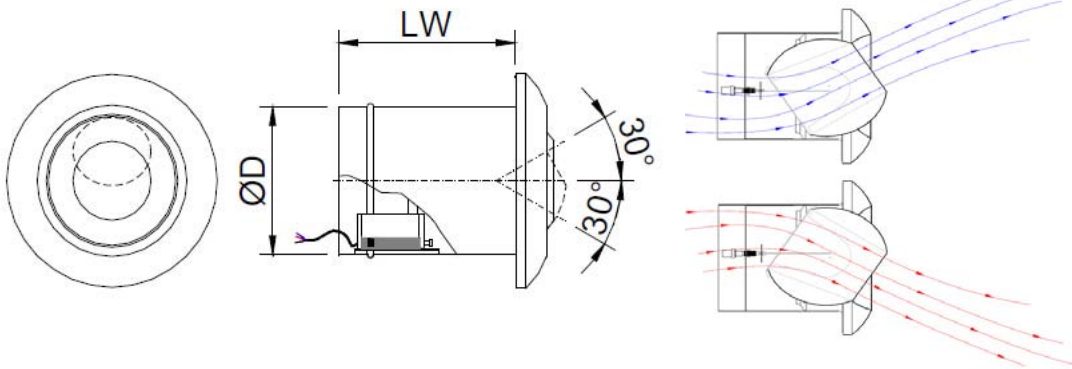
KAM-W-M5 Series Jet Nozzle For Surface Mount Adjusted by On/Off Actuator

Material | Powder coated heavy gauge spun aluminum.

Air Pattern | Adjustable directional jet, long throw. Horizontal jet is adjusted up and down by means of an On/Off Actuator.



KAM-W-M5
by MADEL®

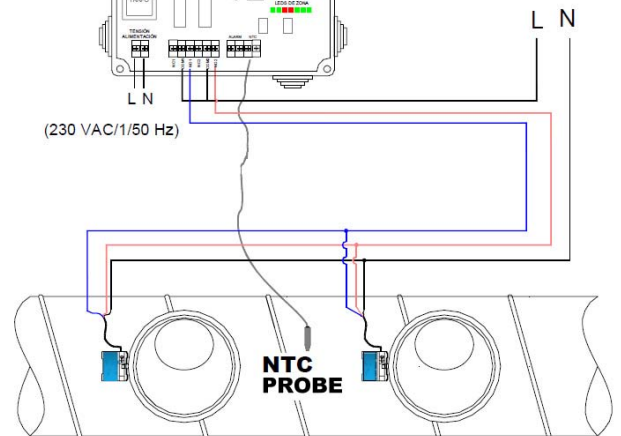


Diftronic®

Select Model			
✓	Model	Duct Size	LW
	KAM-W-M5 10	10"D	5 1/8"
	KAM-W-M5 12	12.5"D	6 17/32"
	KAM-W-M5 14	14"D	8 11/32"

All dimensions in inches (in)

Options	
DIFTRONIC	Automatic control of the air supply angle



Select Finish	
M9016	Powder Coated White RAL 9016
M9006	Powder Coated Metallic Grey RAL 9006
RAL xxxx	Please Specify:

Project:	
Engineer:	
Architect:	
Contractor:	

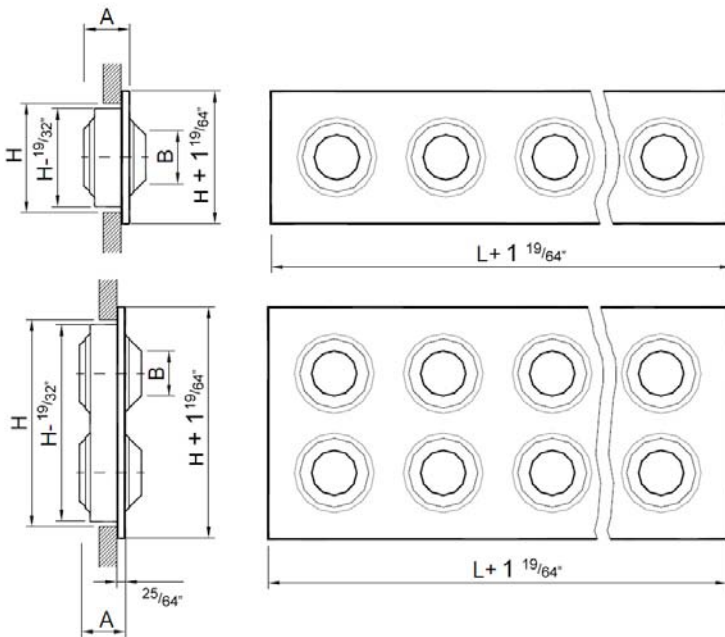
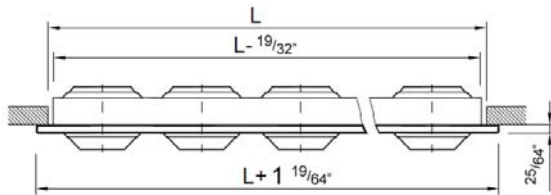
KOO Series Adjustable Long Throw Multi-Jet Nozzle Diffuser

Material | Aluminum jet nozzles and galvanized steel panel

Air Pattern | Long throw, independently adjustable directional jets



KOO
by MADEL®

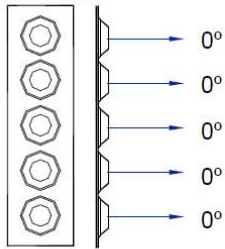


Select Dimension						
✓	List Size	Nb Nozzles	L	H	A	B
	8 x 4	2 x 1	7 7/8"	3 15/16"	1 3/8"	1 47/64"
	12 x 4	3 x 1	11 13/16"	3 15/16"	1 3/8"	1 47/64"
	16 x 4	4 x 1	15 3/4"	3 15/16"	1 3/8"	1 47/64"
	20 x 4	5 x 1	19 11/16"	3 15/16"	1 3/8"	1 47/64"
	24 x 4	6 x 1	23 5/8"	3 15/16"	1 3/8"	1 47/64"
	28 x 4	7 x 1	27 9/16"	3 15/16"	1 3/8"	1 47/64"
	32 x 4	8 x 1	31 1/2"	3 15/16"	1 3/8"	1 47/64"
	36 x 4	9 x 1	35 7/16"	3 15/16"	1 3/8"	1 47/64"
	40 x 4	10 x 1	39 3/8"	3 15/16"	1 3/8"	1 47/64"
	8 x 8	2 x 2	7 7/8"	7 7/8"	1 3/8"	1 47/64"
	12 x 8	3 x 2	11 13/16"	7 7/8"	1 3/8"	1 47/64"
	16 x 8	4 x 2	15 3/4"	7 7/8"	1 3/8"	1 47/64"
	20 x 8	5 x 2	19 11/16"	7 7/8"	1 3/8"	1 47/64"
	24 x 8	6 x 2	23 5/8"	7 7/8"	1 3/8"	1 47/64"
	28 x 8	7 x 2	27 9/16"	7 7/8"	1 3/8"	1 47/64"
	32 x 8	8 x 2	31 1/2"	7 7/8"	1 3/8"	1 47/64"
	36 x 8	9 x 2	35 7/16"	7 7/8"	1 3/8"	1 47/64"
	40 x 8	10 x 2	39 3/8"	7 7/8"	1 3/8"	1 47/64"
	12 x 6	2 x 1	11 13/16"	5 29/32"	2 1/4"	2 13/32"
	18 x 6	3 x 1	17 23/32"	5 29/32"	2 1/4"	2 13/32"
	24 x 6	4 x 1	23 5/8"	5 29/32"	2 1/4"	2 13/32"
	30 x 6	5 x 1	29 17/32"	5 29/32"	2 1/4"	2 13/32"
	36 x 6	6 x 1	35 7/16"	5 29/32"	2 1/4"	2 13/32"
	42 x 6	7 x 1	41 11/32"	5 29/32"	2 1/4"	2 13/32"
	48 x 6	8 x 1	47 1/4"	5 29/32"	2 1/4"	2 13/32"
	12 x 12	2 x 2	11 13/16"	11 13/16"	2 1/4"	2 13/32"
	18 x 12	3 x 2	17 23/32"	11 13/16"	2 1/4"	2 13/32"
	24 x 12	4 x 2	23 5/8"	11 13/16"	2 1/4"	2 13/32"
	30 x 12	5 x 2	29 17/32"	11 13/16"	2 1/4"	2 13/32"
	36 x 12	6 x 2	35 7/16"	11 13/16"	2 1/4"	2 13/32"
	42 x 12	7 x 2	41 11/32"	11 13/16"	2 1/4"	2 13/32"
	48 x 12	8 x 2	47 1/4"	11 13/16"	2 1/4"	2 13/32"

Balancing Position

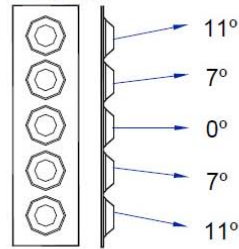
POSITION 1 (0°)

KOO Lx4
KOO Lx6



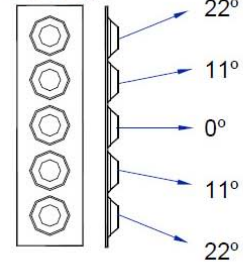
POSITION 2 (22°)

KOO Lx4
KOO Lx6



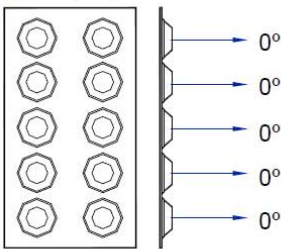
POSITION 3 (45°)

KOO Lx4
KOO Lx6



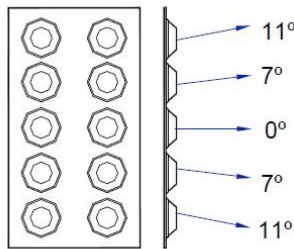
POSITION 1 (0°)

KOO Lx8
KOO Lx12



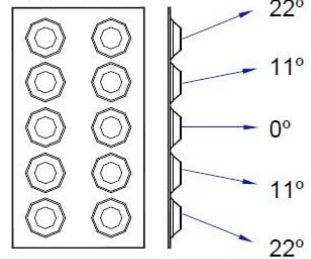
POSITION 2 (22°)

KOO Lx8
KOO Lx12

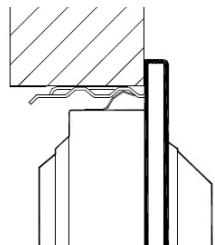


POSITION 3 (45°)

KOO Lx8
KOO Lx12

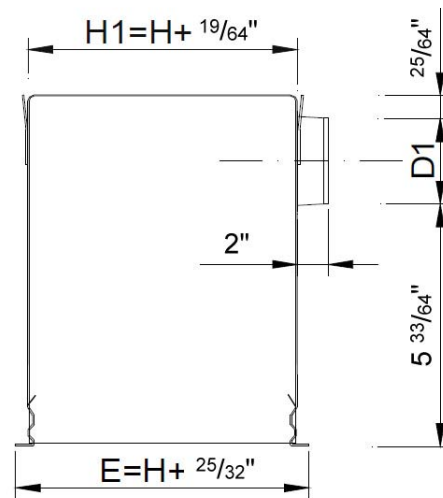
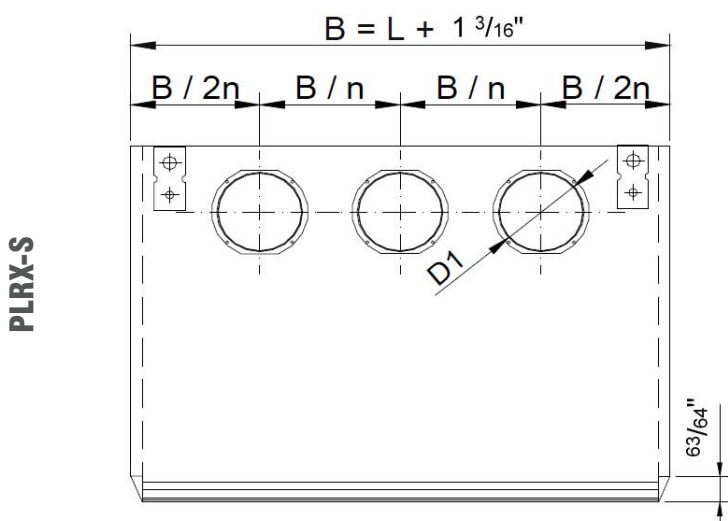
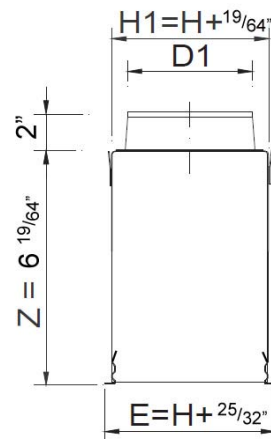
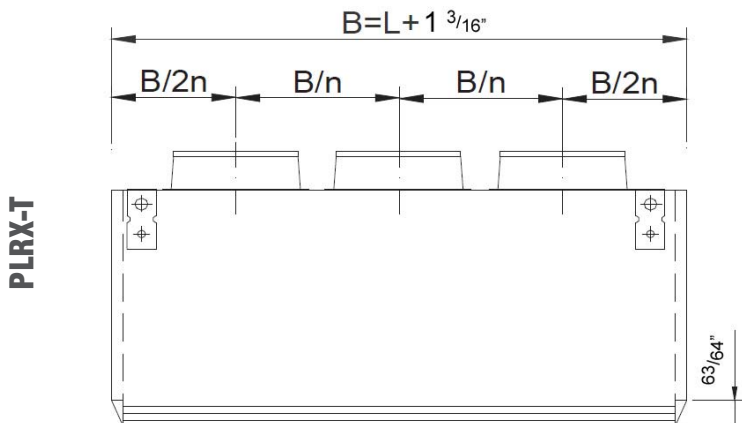


Spring Clips Mounting



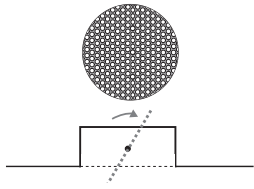
Invisible fixing by means of pressure clips with security hooks for ceiling installation. Requires PLRX plenum or CM mounting frame.

PLRX Plenum



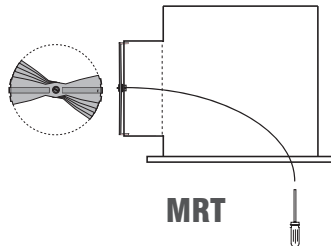
Neck Diameter and Quantity (n x D)						
L		< 24"	< 36"	< 40"	< 48"	>= 48"
H	4"	1x 4"D	2x 4"D	2x 4"D	2x 4"D	3x 4"D
	6"	1x 5"D	2x 5"D	2x 5"D	2x 5"D	3x 5"D
	8"	1x 8"D	1x 8"D	2x 8"D	2x 8"D	2x 8"D
	12"	1x 10"D	1x 10"D	1x 10"D	2x 10"D	2x 10"D

Integrated Air Volume Dampers



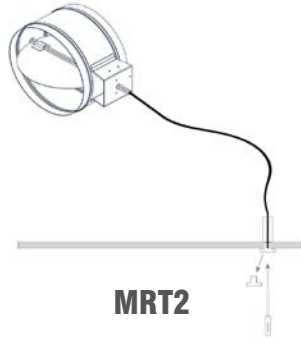
R

Perforated damper +
air equalizer



MRT

Manually operated damper,
cable inside the plenum,
adjustment through face



MRT2

Manually operated damper,
cable through drywall with
termination fixture



EB

Battery operated
electro-balance damper
with remote control,
cable through face



EB2

Battery operated
electro-balance damper
with remote control,
cable through drywall
with termination fixture

Important Note: MRT, MRT2, EB and EB2 Damper Options are only available for KOO with 2 rows (Height 8" and 12").

Accessories

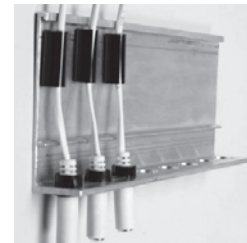
EB-SP1

Single Connector
Drywall Termination
Fixture for EB
dampers



EB-AB8

Eight Connector
Wall Bracket for EB
dampers



EB-SP8

Eight Connector
Drywall Termination
Fixture for EB
dampers



EB-REMOTE

Remote Control for
EB dampers



Balancing Position (optional)	
1	Straight - 0 Degrees (Default)
2	22 Degrees Spread
3	45 Degrees Spread

Mounting	
S	Invisible fixing by means of pressure clips
T	Visible Screws

Finish	
M9016	Powder Coated White RAL 9016
M9006	Powder Coated Metallic Grey RAL 9006
RAL xxxx	Please Specify:

Plenum	
PLRX-T	Top (Back) connection
PLRX-S	Side connection

Insulation	
AL	1/2" Interior Accoustical Liner
R6	2" Exterior R6 Thermal Insulation

Neck-Installed Air Volume Damper	
R	Perforated air volume damper/equalizer
MRT	Manually operated, cable thru face
MRT2	Manually operated, termination fixture
EB	Electro-balanced, battery powered, cable thru face
EB2	Electro-balanced, battery powered, cable thru drywall

Cable Length (MRT2 or EB2)	

Project:	
Engineer:	
Architect:	
Contractor:	

KOO Series Adjustable Long Throw Multi-Jet Nozzle Diffuser

Material | Aluminum jet nozzles and galvanized steel panel

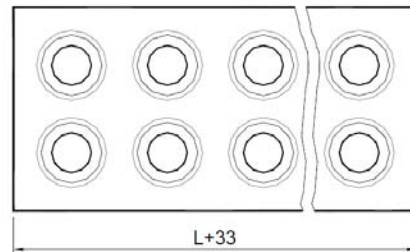
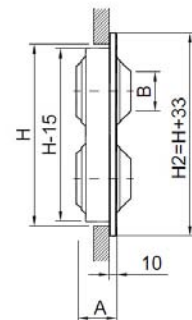
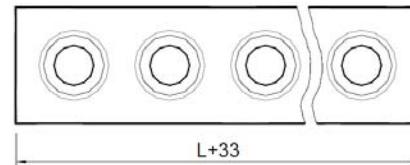
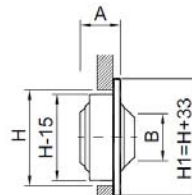
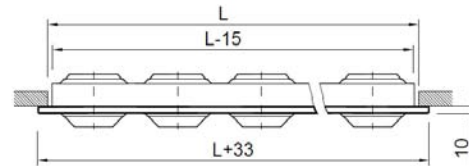
Air Pattern | Long throw, independently adjustable directional jets



KOO
by MADEL®

Select Dimension		
✓	List Size L x H	Nozzles Qty
	200 x 100	2 x 1
	300 x 100	3 x 1
	400 x 100	4 x 1
	500 x 100	5 x 1
	600 x 100	6 x 1
	700 x 100	7 x 1
	800 x 100	8 x 1
	900 x 100	9 x 1
	1000 x 100	10 x 1
	200 x 200	2 x 2
	300 x 200	3 x 2
	400 x 200	4 x 2
	500 x 200	5 x 2
	600 x 200	6 x 2
	700 x 200	7 x 2
	800 x 200	8 x 2
	900 x 200	9 x 2
	1000 x 200	10 x 2
	300 x 150	2 x 1
	450 x 150	3 x 1
	600 x 150	4 x 1
	750 x 150	5 x 1
	900 x 150	6 x 1
	1050 x 150	7 x 1
	1200 x 150	8 x 1
	300 x 300	2 x 2
	450 x 300	3 x 2
	600 x 300	4 x 2
	750 x 300	5 x 2
	900 x 300	6 x 2
	1050 x 300	7 x 2
	1200 x 300	8 x 2

All dimensions in mm



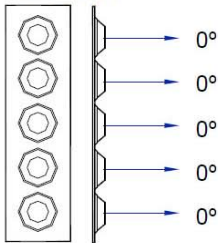
H	A	B
100	35	44
150	57	61
200	35	44
300	57	61

All dimensions in mm

Balancing Position

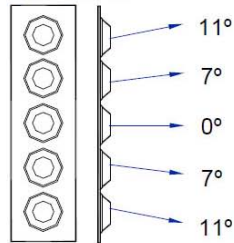
POSITION 1 (0°)

KOO Lx100
KOO Lx150



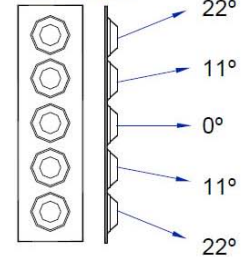
POSITION 2 (22°)

KOO Lx100
KOO Lx150



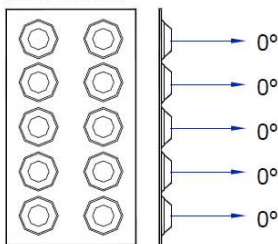
POSITION 3 (45°)

KOO Lx100
KOO Lx150



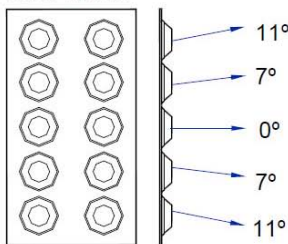
POSITION 1 (0°)

KOO Lx200
KOO Lx300



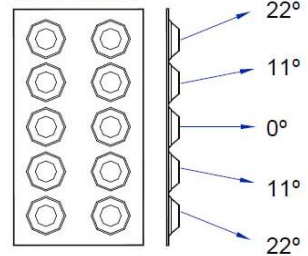
POSITION 2 (22°)

KOO Lx200
KOO Lx300

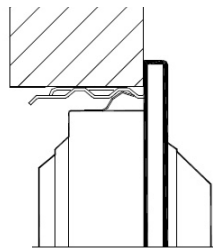


POSITION 3 (45°)

KOO Lx200
KOO Lx300



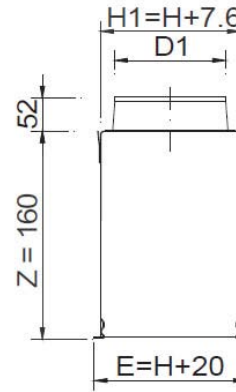
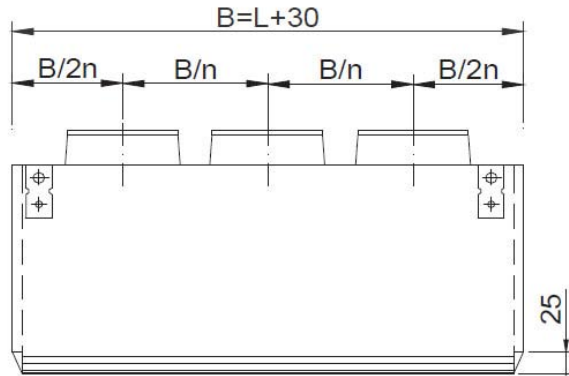
Spring Clips Mounting



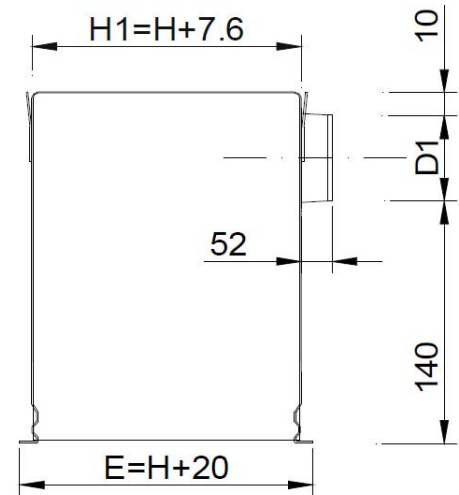
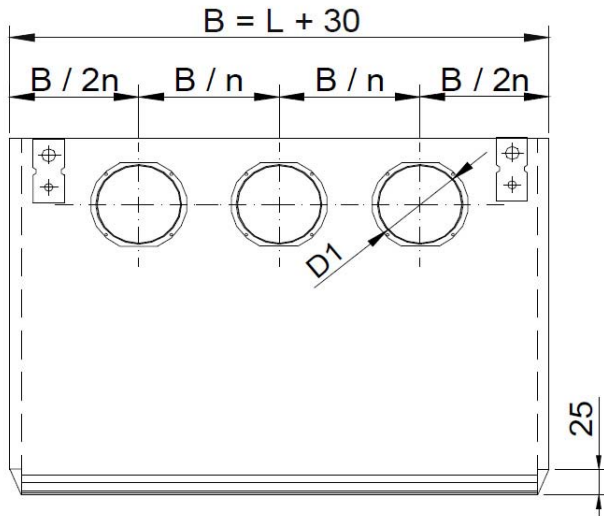
Invisible fixing by means of pressure clips with security hooks for ceiling installation. Requires PLRX plenum or CM mounting frame.

PLRX Plenum

PLRX-T



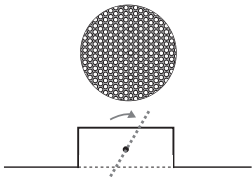
PLRX-S



Neck Diameter and Quantity (n x D)						
L		< 600	< 900	< 1000	< 1200	>= 1200
H	100	1x 98	2x 98	2x 98	2x 98	3x 98
	150	1x 123	2x 123	2x 123	2x 123	3x 123
	200	1x 198	1x 198	2x 198	2x 198	2x 198
	300	1x 248	1x 248	1x 248	2x 248	2x 248

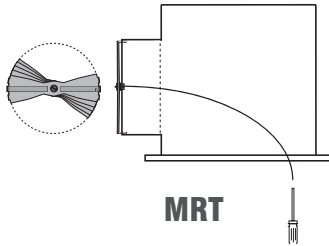
All dimensions in mm

Integrated Air Volume Dampers



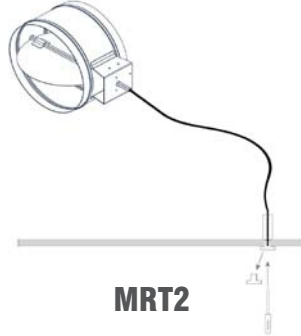
R

Perforated damper +
air equalizer



MRT

Manually operated damper,
cable inside the plenum,
adjustment through face



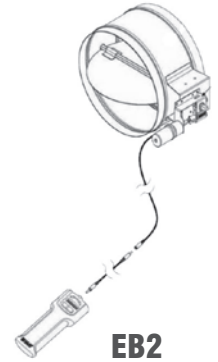
MRT2

Manually operated damper,
cable through drywall with
termination fixture



EB

Battery operated
electro-balance damper
with remote control,
cable through face



EB2

Battery operated
electro-balance damper
with remote control,
cable through drywall
with termination fixture

Important Note: MRT, MRT2, EB and EB2 Damper Options are only available for KOO with 2 rows (Height 200 mm and 300 mm).

Accessories

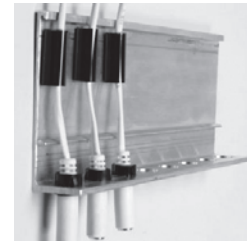
EB-SP1

Single Connector
Drywall Termination
Fixture for EB
dampers



EB-AB8

Eight Connector
Wall Bracket for EB
dampers



EB-SP8

Eight Connector
Drywall Termination
Fixture for EB
dampers



EB-REMOTE

Remote Control for
EB dampers



Balancing Position (optional)	
1	Straight - 0 Degrees (Default)
2	22 Degrees Spread
3	45 Degrees Spread

Mounting	
S	Invisible fixing by means of pressure clips
T	Visible Screws

Finish	
M9016	Powder Coated White RAL 9016
M9006	Powder Coated Metallic Grey RAL 9006
RAL xxxx	Please Specify:

Plenum	
PLRX-T	Top (Back) connection
PLRX-S	Side connection

Insulation	
AL	1/2" Interior Accoustical Liner
R6	2" Exterior R6 Thermal Insulation

Neck-Installed Air Volume Damper	
R	Perforated air volume damper/equalizer
MRT	Manually operated, cable thru face
MRT2	Manually operated, termination fixture
EB	Electro-balanced, battery powered, cable thru face
EB2	Electro-balanced, battery powered, cable thru drywall

Cable Length (MRT2 or EB2)	

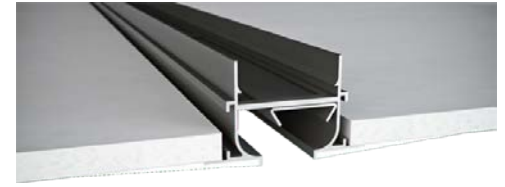
Project:	
Engineer:	
Architect:	
Contractor:	

LOOK Series Hidden Linear Slot Diffuser

Material | Extruded aluminum and extruded PVC sector deflection vanes

Air Pattern | Adjustable

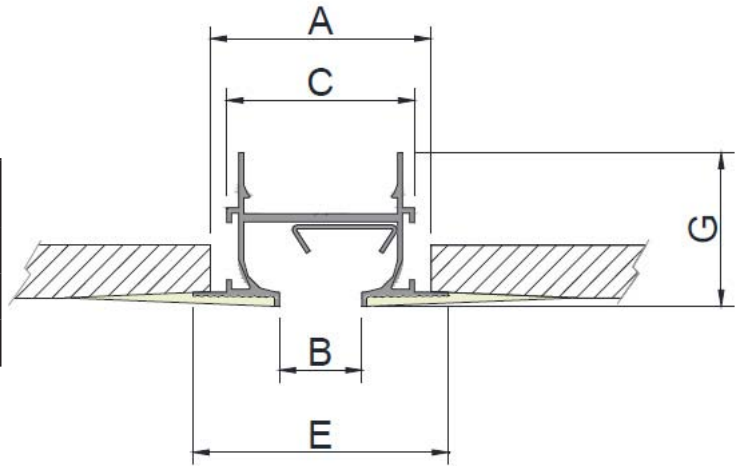
Ceiling Types | Open and Closed



LOOK
by MADEL®

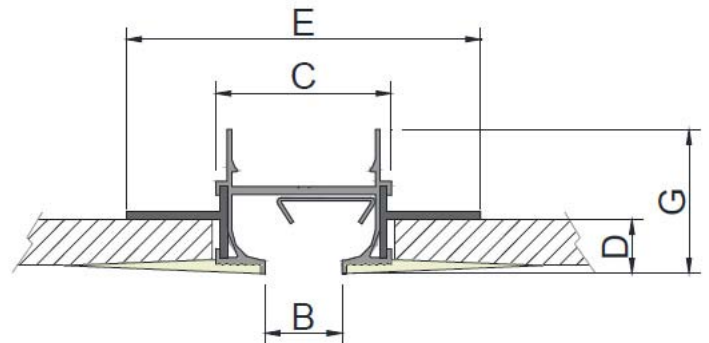
LOOK-CM

Slot Width	A	B	C	G	E
20	2 11/64"	3/4"	1 27/32"	1 1/2"	2 1/2"
30	3 5/16"	1 3/16"	2 63/64"	1 25/32"	3 53/64"
40	3 45/64"	1 1/2"	3 25/64"	1 25/32"	4 7/32"



LOOK-SM

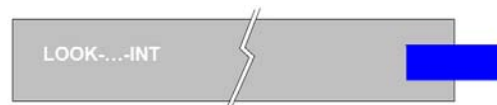
Slot Width	B	C	D	G	E
20	3/4"	1 27/32"	35/64"	1 1/2"	3 23/32"
30	1 3/16"	2 63/64"	35/64"	1 25/32"	4 55/64"
40	1 1/2"	3 25/64"	35/64"	1 25/32"	5 1/4"



Continuous Sections

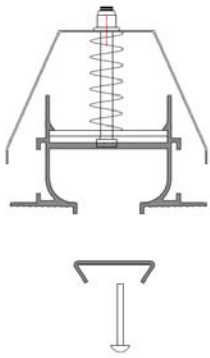


Maximum length for a single section is 78". Longer continuous diffusers must be divided into smaller sections.

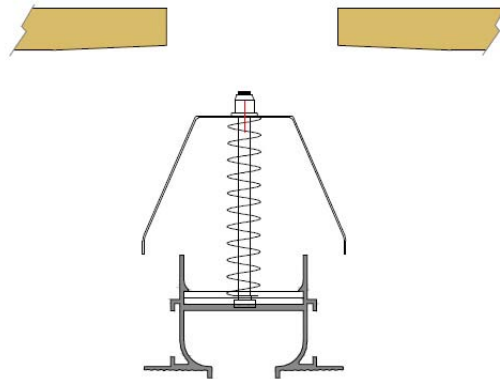


PM Mounting Kit For LOOK-CM

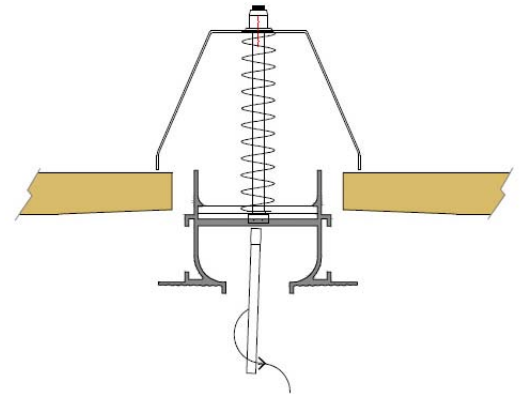
PM Mounting Kit greatly facilitates and accelerates the diffuser installation, and works with or without plenum. Only for LOOK-CM.



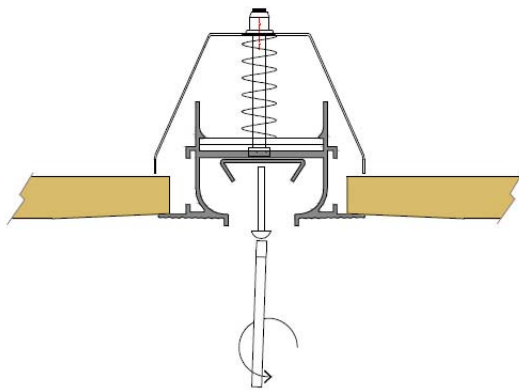
1. Remove deflector



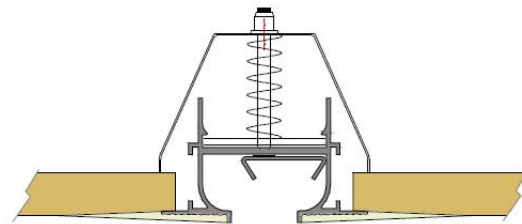
2. Insert in ceiling



3. Tighten clip with screwdriver



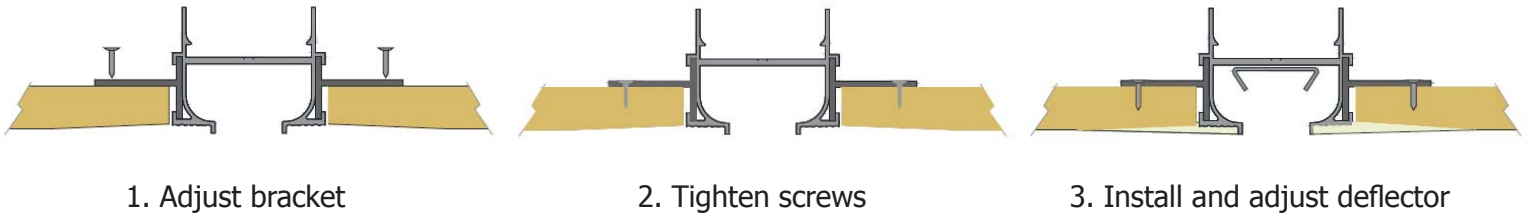
4. Reinstall deflector



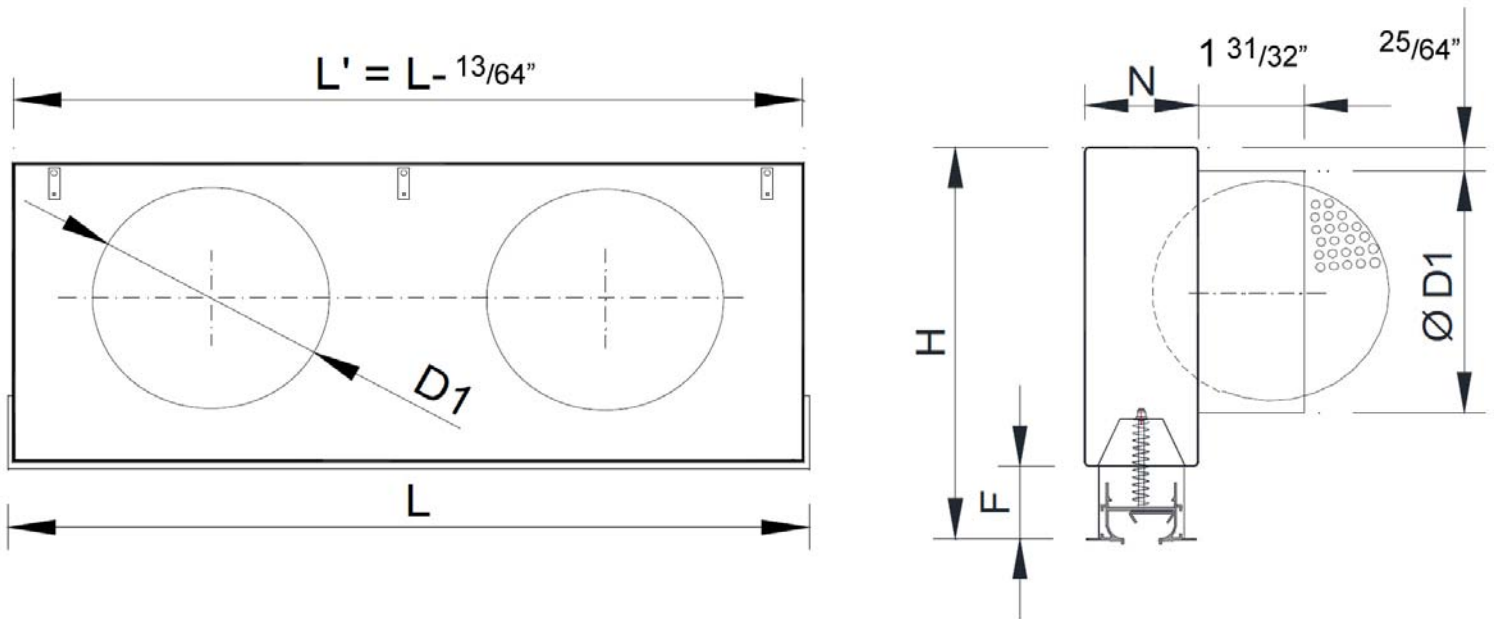
4. Adjust deflector for desired airflow

L Bracket For LOOK-SM

L Brackets works with or without plenum. Only for LOOK-SM.

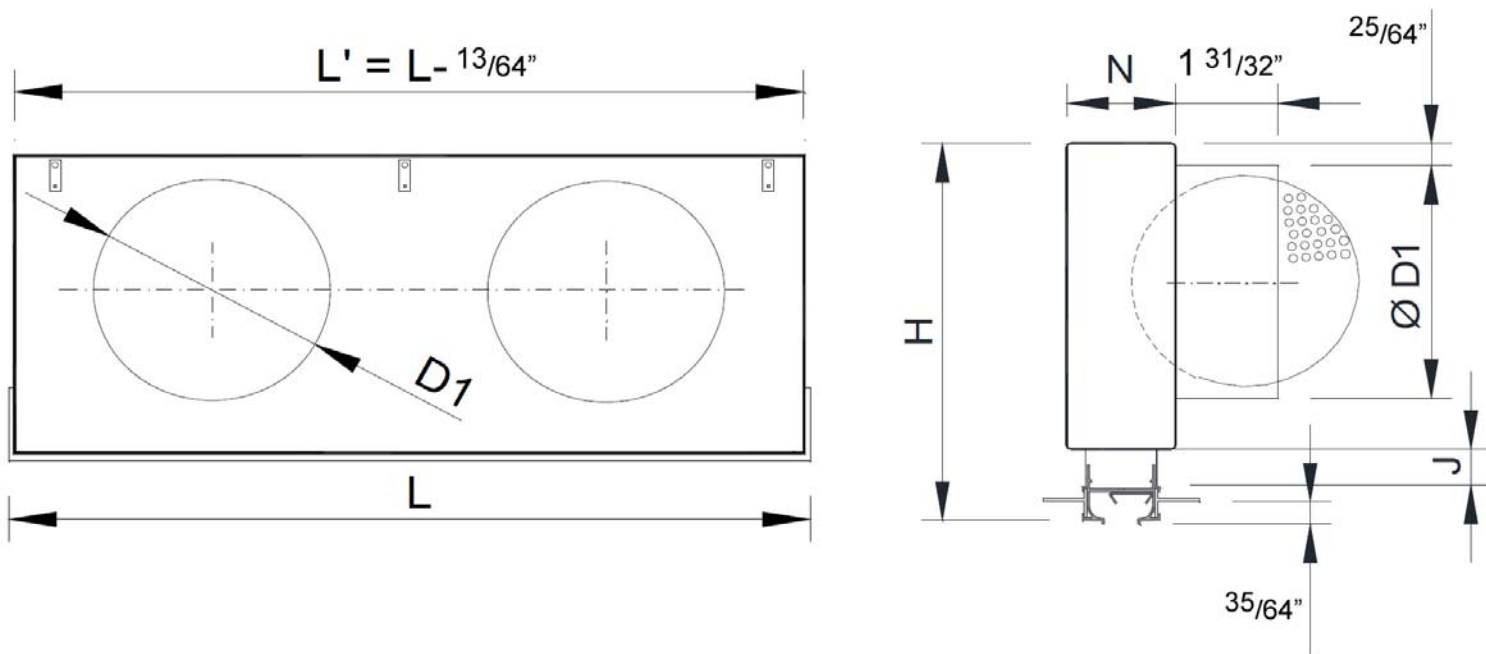


PLOK-CM Plenum



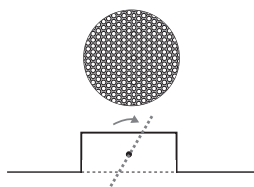
Slot Width	N	F	L ≤ 20"		L ≤ 48"		L ≤ 60"		L ≤ 78"	
			H	D1	H	D1	H	D1	H	D1
20	2 23/32"	1 27/64"	10 5/64"	1x 6"	10 5/64"	1x 6"	10 5/64"	1x 6"	10 5/64"	2x 6"
30	3 55/64"	1 21/32"	10 5/64"	1x 6"	10 5/64"	1x 6"	10 5/64"	1x 6"	10 5/64"	2x 6"
40	4 1/4"	1 21/32"	10 5/64"	1x 6"	11 21/32"	1x 8"	11 21/32"	2x 8"	11 21/32"	2x 8"

PLOK-SM Plenum



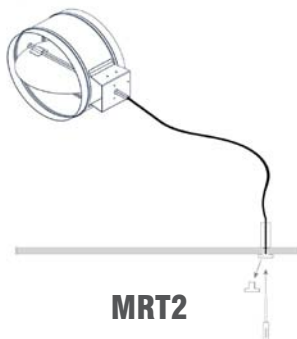
Slot Width	N	J	L ≤ 20"		L ≤ 48"		L ≤ 60"		L ≤ 78"	
			H	D1	H	D1	H	D1	H	D1
20	2 31/64"	9/16"	10 5/64"	1x 6"	10 5/64"	1x 6"	10 5/64"	1x 6"	10 5/64"	2x 6"
30	3 5/8"	51/64"	10 5/64"	1x 6"	10 5/64"	1x 6"	10 5/64"	1x 6"	10 5/64"	2x 6"
40	4 1/64"	51/64"	10 5/64"	1x 6"	11 21/32"	1x 8"	11 21/32"	2x 8"	11 21/32"	2x 8"

Integrated Air Volume Dampers



R

Perforated damper +
air equalizer



MRT2

Manually operated damper,
cable through drywall with
termination fixture



EB2

Battery operated
electro-balance damper
with remote control,
cable through drywall
with termination fixture

Select Model		
✓	LOOK	Hidden Linear Slot Diffuser

Flange		
	CM	Large Flange
	SM	Short Flange

End Borders		
	AR	Two End Borders
	ARI	Left End Border Only
	ARD	Right End Border Only
	INT	No End Border (Central Sections)

Mounting		
	PM	Concealed Spring Clips (LOOK-CM only)
	L	L Brackets (LOOK-SM only)

Finish		
	/M9016	Powder Coated White RAL 9016
	/M9010	Powder Coated Off White RAL 9010
	/M9005	Powder Coated Black RAL 9005
	/RAL xxxx	Other (specify) :

Plenum		
	PLOK-CM	Plenum for LOOK-CM
	PLOK-SM	Plenum for LOOK-SM

Neck-Installed Air Volume Damper		
	R	Perforated air volume damper/equalizer
	MRT2	Manually operated, drywall termination fixture
	EB2	Electro-balanced, battery powered, termination fixture

Cable Length (MRT2 or EB2)		

Insulation		
	R6	2" (50mm) Exterior R6 Thermal Insulation

Airflow Balancing (Optional)		
	W1	1 Way
	V	Vertical

Listed L (inches)		

Slot Width		
	20	3/4"
	30	1 3/16"
	40	1 1/2"

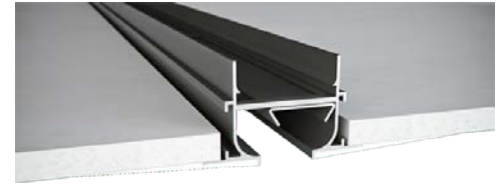
Project:	
Engineer:	
Architect:	
Contractor:	

LOOK Series Hidden Linear Slot Diffuser

Material | Extruded aluminum and extruded PVC sector deflection vanes

Air Pattern | Adjustable

Ceiling Types | Open and Closed

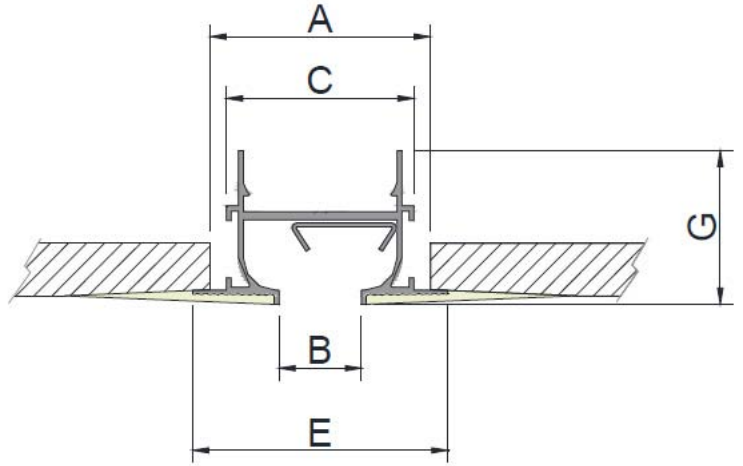


LOOK
by MADEL®

LOOK-CM

Slot Width	A	B	C	G	E
20	55	20	47	38.2	63.5
30	84	30	76	45.2	97.3
40	94	40	86	45.2	107.3

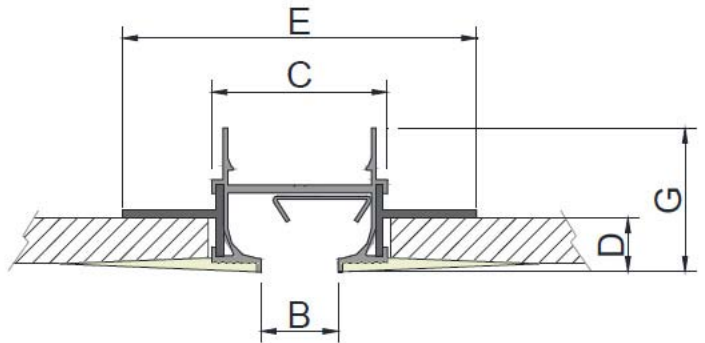
All dimensions in mm



LOOK-SM

Slot Width	B	C	D	G	E
20	20	47	14	38.2	94.3
30	30	76	14	45.2	123.5
40	40	86	14	45.2	133.5

All dimensions in mm



Continuous Sections

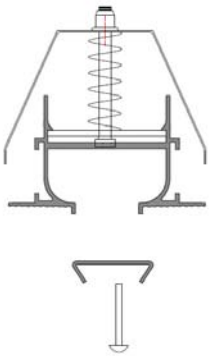


Maximum length for a single section is 2 meters. Longer continuous diffusers must be divided into smaller sections.

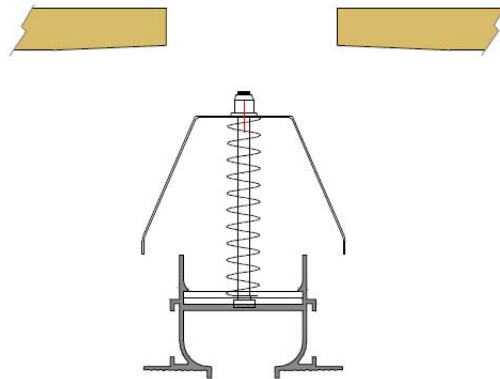


PM Mounting Kit For LOOK-CM

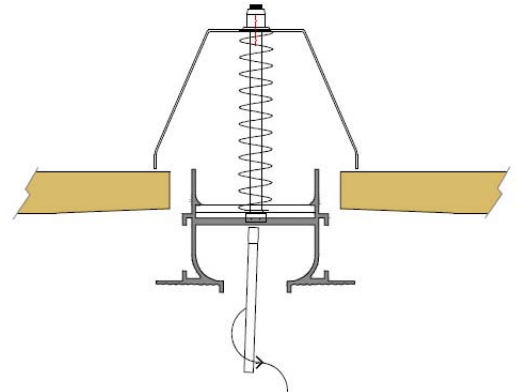
PM Mounting Kit greatly facilitates and accelerates the diffuser installation, and works with or without plenum. Only for LOOK-CM.



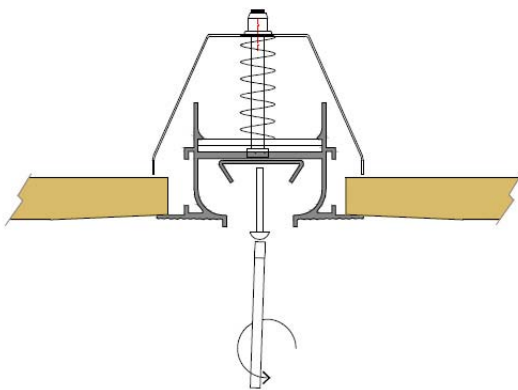
1. Remove deflector



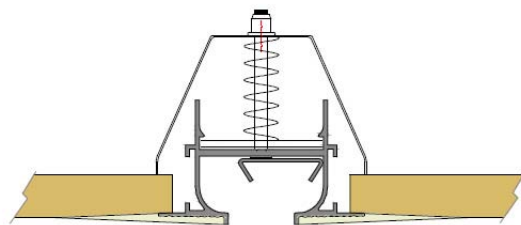
2. Insert in ceiling



3. Tighten clip with screwdriver



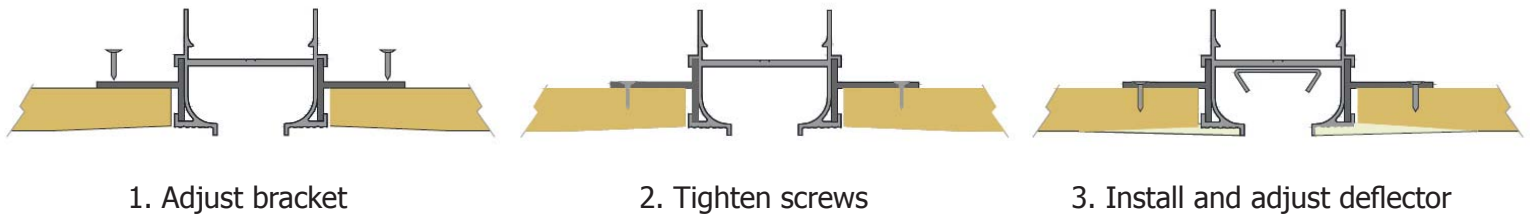
4. Reinstall deflector



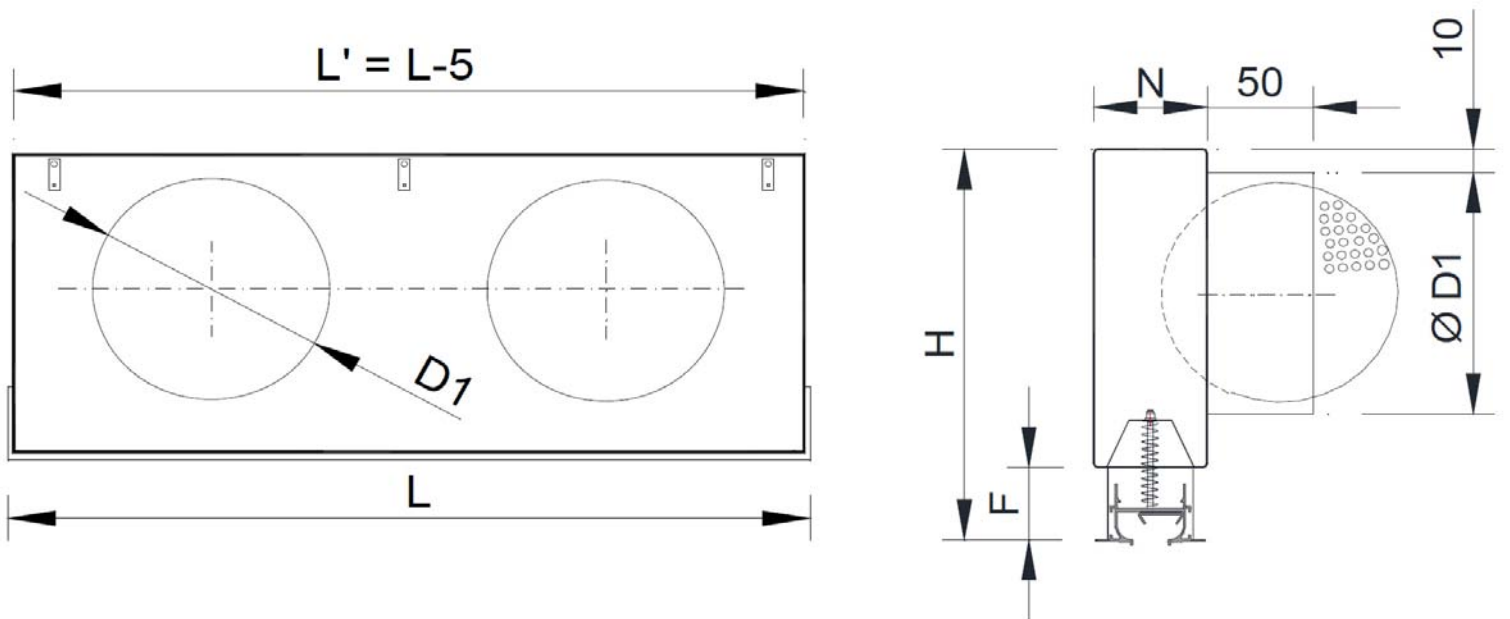
4. Adjust deflector for desired airflow

L Bracket For LOOK-SM

L Brackets works with or without plenum. Only for LOOK-SM.

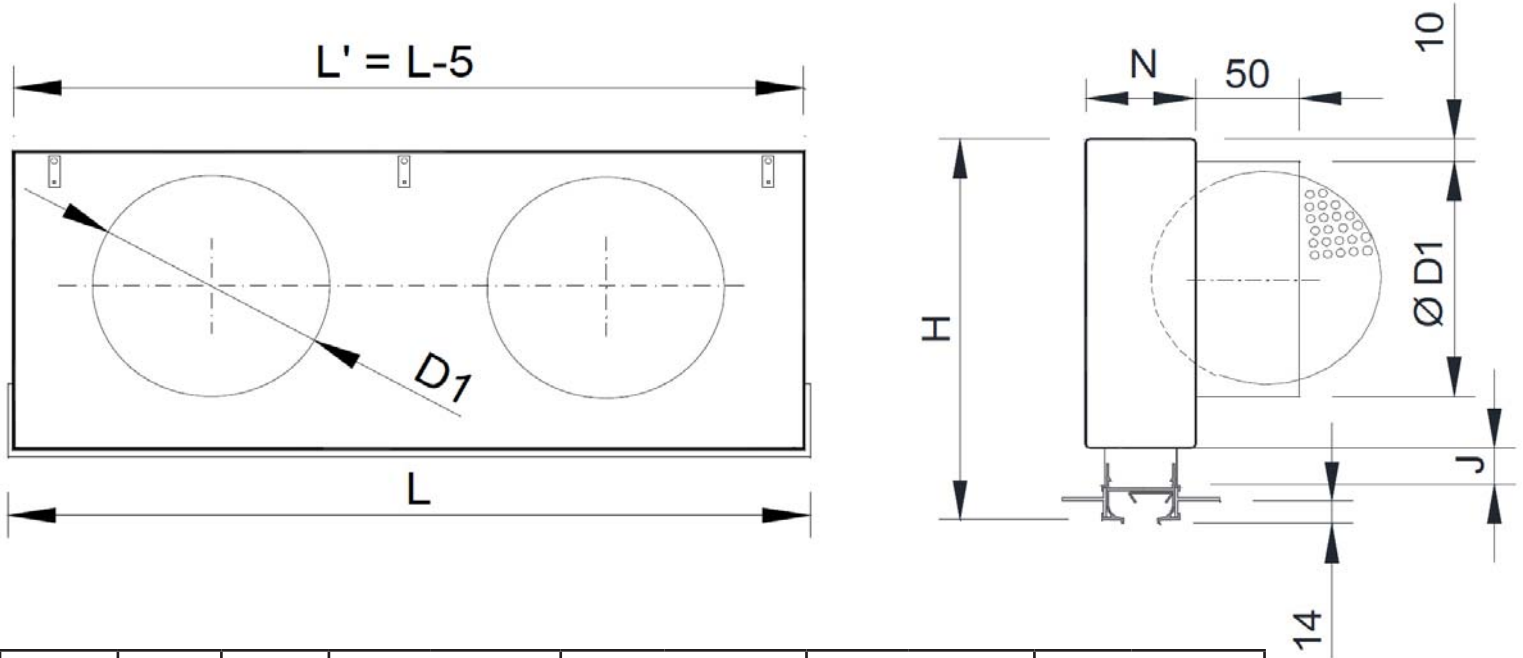


PLOK-CM Plenum



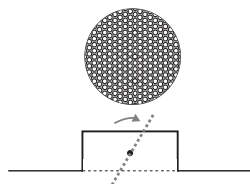
Slot Width	N	F	L ≤ 500		L ≤ 1200		L ≤ 1500		L ≤ 2000	
			H	D1	H	D1	H	D1	H	D1
20	69	36	256	1x 148	256	1x 148	256	1x 148	256	2x 148
30	98	42	256	1x 148	256	1x 148	256	1x 148	256	2x 148
40	108	42	256	1x 148	296	1x 198	296	2x 198	296	2x 198

PLOK-SM Plenum

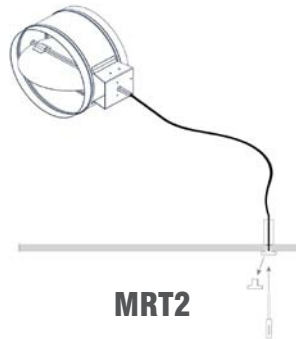


Slot Width	N	J	L ≤ 500		L ≤ 1200		L ≤ 1500		L ≤ 2000	
			H	D1	H	D1	H	D1	H	D1
20	63	14.3	256	1x 148	256	1x 148	256	1x 148	256	2x 148
30	92	20.3	256	1x 148	256	1x 148	256	1x 148	256	2x 148
40	102	20.3	256	1x 148	296	1x 198	296	2x 198	296	2x 198

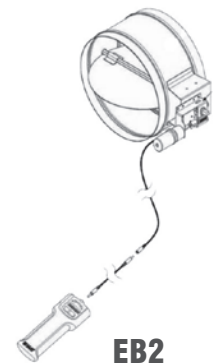
Integrated Air Volume Dampers



R
Perforated damper +
air equalizer



MRT2
Manually operated damper,
cable through drywall with
termination fixture



EB2
Battery operated
electro-balance damper
with remote control,
cable through drywall
with termination fixture

SUBMITTAL



LOOK (METRIC)

REV 0 - PAGE 5/5

Select Model		
✓	LOOK	Hidden Linear Slot Diffuser

Flange		
	CM	Large Flange
	SM	Short Flange

End Borders		
	AR	Two End Borders
	ARI	Left End Border Only
	ARD	Right End Border Only
	INT	No End Border (Central Sections)

Mounting		
	PM	Concealed Spring Clips (LOOK-CM only)
	L	L Brackets (LOOK-SM only)

Finish		
	/M9016	Powder Coated White RAL 9016
	/M9010	Powder Coated Off White RAL 9010
	/M9005	Powder Coated Black RAL 9005
	/RAL xxxx	Other (specify) :

Plenum		
	PLOK-CM	Plenum for LOOK-CM
	PLOK-SM	Plenum for LOOK-SM

Neck-Installed Air Volume Damper		
	R	Perforated air volume damper/equalizer
	MRT2	Manually operated, drywall termination fixture
	EB2	Electro-balanced, battery powered, termination fixture

Cable Length (MRT2 or EB2)		

Insulation		
	R6	2" (50mm) Exterior R6 Thermal Insulation

Airflow Balancing (Optional)		
	W1	1 Way
	V	Vertical

Listed L (inches)		

Slot Width		
	20	20 mm
	30	30 mm
	40	40 mm

Project:	
Engineer:	
Architect:	
Contractor:	

LOOK-A90 Series

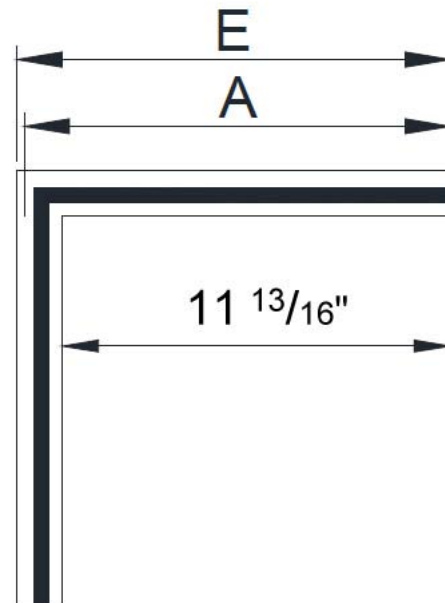
Inactive 90° Angle for LOOK Hidden Slot Diffuser

Material | Extruded aluminum frame and galvanized steel deflector

Air Pattern | Adjustable

Ceiling Types | Open and Closed

Slot Width	E	A
20 (3/4")	14 21/64"	14 9/64"
30 (1 3/16")	15 5/8"	15 25/64"
40 (1 1/2")	16 1/32"	15 25/32"



Select Model	
<input checked="" type="checkbox"/>	LOOK-A90

Select Finish	
<input type="checkbox"/>	Powder Coated White RAL 9016
<input type="checkbox"/>	Powder Coated Off White RAL 9010
<input type="checkbox"/>	Powder Coated Black RAL 9005
<input type="checkbox"/>	Other RAL (specify) :

Project:	
Engineer:	
Architect:	
Contractor:	

LOOK-A90 Series Inactive 90° Angle for LOOK Hidden Slot Diffuser

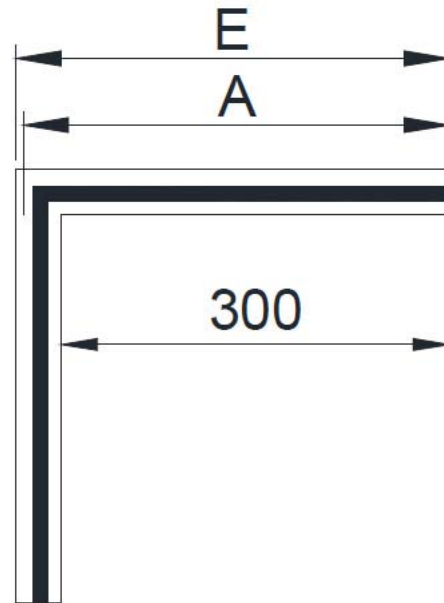
Material | Extruded aluminum frame and galvanized steel deflector

Air Pattern | Adjustable

Ceiling Types | Open and Closed

Slot Width	E	A
20	364	359
30	397	391
40	407	401

All dimensions in mm



Select Model	
<input checked="" type="checkbox"/>	LOOK-A90

Select Finish	
<input type="checkbox"/>	Powder Coated White RAL 9016
<input type="checkbox"/>	Powder Coated Off White RAL 9010
<input type="checkbox"/>	Powder Coated Black RAL 9005
<input type="checkbox"/>	Other RAL (specify) :

Project:	
Engineer:	
Architect:	
Contractor:	

LSD Series High Induction Linear Slot Diffuser

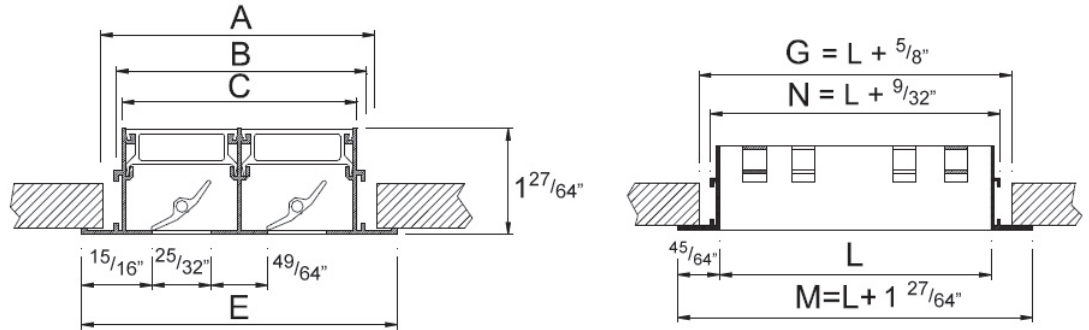
Material | Extruded aluminum and extruded PVC sectored deflection vanes

Air Pattern | Adjustable

Ceiling Types | Open and Closed

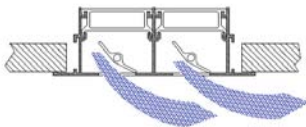


LSD
by MADEL®

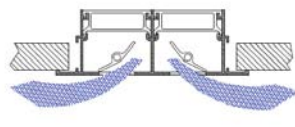


Nb Slots	E	A	B	C
1	2 43/64"	2 11/64"	1 27/32"	1 19/32"
2	4 7/32"	3 47/64"	3 25/64"	3 9/64"
3	5 49/64"	5 9/32"	4 15/16"	4 45/64"
4	7 5/16"	6 13/16"	6 31/64"	6 1/4"

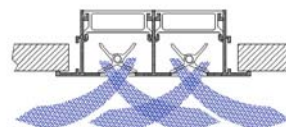
Airflow Balancing



1 Way



2 Way

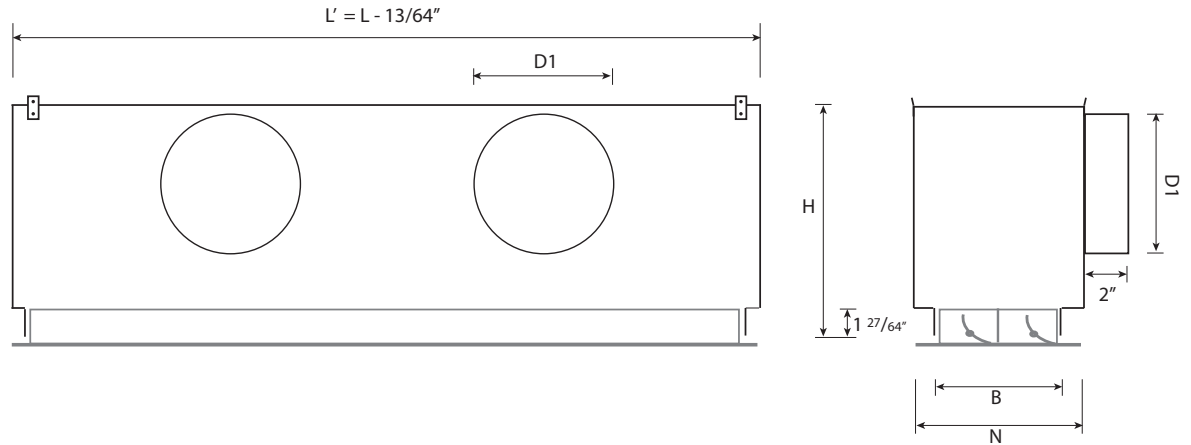


2 Way Alternate
(Default)



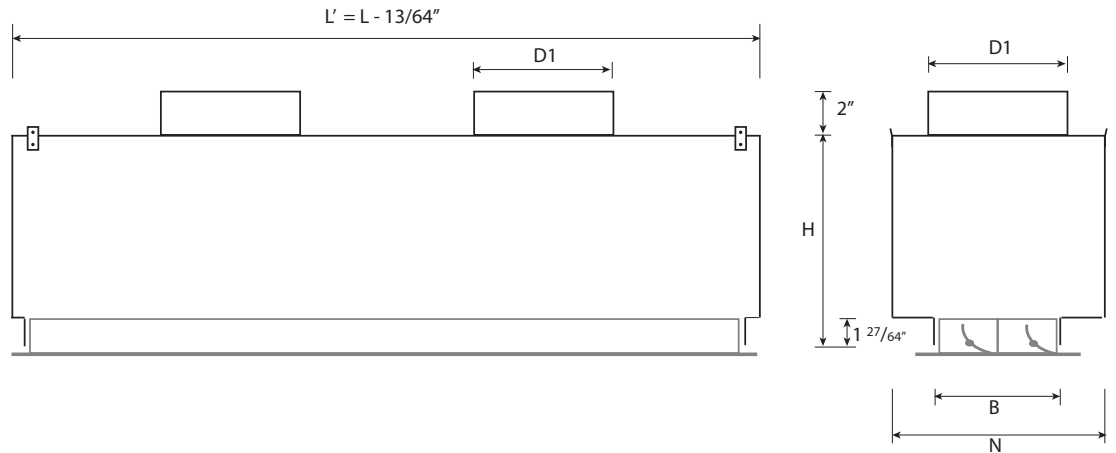
Vertical

PLSD Plenum (Side Connection)



Nb Slots	H	B	N	D1 (L ≤ 20")	D1 (L ≤ 40")	D1 (L ≤ 48")	D1 (L ≤ 60")	D1 (L ≤ 78 ⁴⁷ /64")
1	10 5/64"	1 27/32"	2 23/32"	1x 6"D	1x 6"D	1x 6"D	1x 6"D	2x 6"D
2	10 5/64"	3 25/64"	4 1/4"	1x 6"D	1x 6"D	1x 6"D	2x 6"D	2x 6"D
3	11 21/32"	4 15/16"	5 25/32"	1x 8"D	1x 8"D	2x 8"D	2x 8"D	2x 8"D
4	11 21/32"	6 31/64"	7 21/64"	1x 8"D	1x 8"D	2x 8"D	2x 8"D	2x 8"D

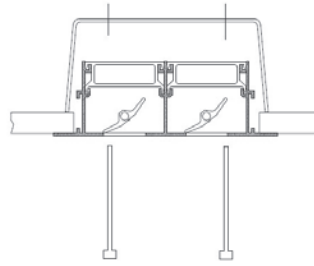
PLSD-T Plenum (Top Connection)



Nb Slots	H	B	N	D1 (L ≤ 20")	D1 (L ≤ 40")	D1 (L ≤ 48")	D1 (L ≤ 60")	D1 (L ≤ 78 ⁴⁷ /64")
1	8"	1 27/32"	6 7/8"	1x 6"D	1x 6"D	1x 6"D	1x 6"D	2x 6"D
2	8"	3 25/64"	6 7/8"	1x 6"D	1x 6"D	1x 6"D	2x 6"D	2x 6"D
3	10"	4 15/16"	8 7/8"	1x 8"D	1x 8"D	2x 8"D	2x 8"D	2x 8"D
4	10"	6 31/64"	8 7/8"	1x 8"D	1x 8"D	2x 8"D	2x 8"D	2x 8"D

PM Mounting Kit

PM Mounting Kit consists of C shaped clips with long screws. Recommended for installation without plenum.

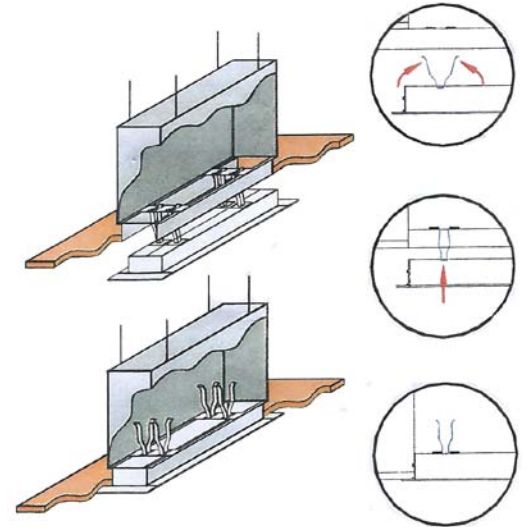


PL Hidden Mounting System

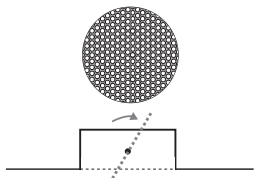
PL Hidden Mounting System consists of spring clips attached to the diffuser and special brackets attached to the plenum.

The clips have a two steps profile. The hooks must first be inserted into the brackets. The hooks secure the product in place, even when submitted to intense vibrations, making it safe for ceiling installation.

The second step only requires to push the diffuser until it lays flush with the gypsum or plenum opening. The spring pressure maintains the product in place.

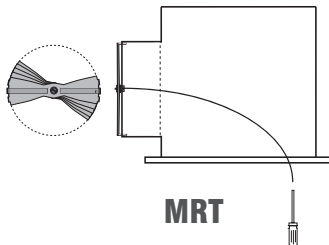


Integrated Air Volume Dampers



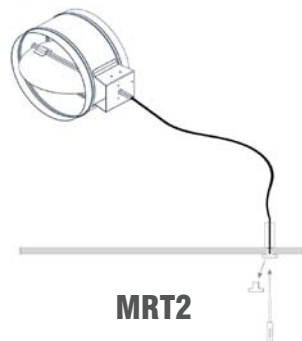
R

Perforated damper + air equalizer



MRT

Manually operated damper, cable inside the plenum, adjustment through face



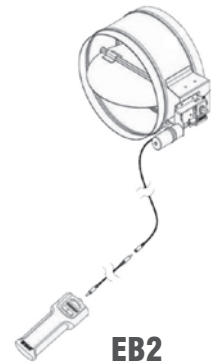
MRT2

Manually operated damper, cable through drywall with termination fixture



EB

Battery operated electro-balance damper with remote control, cable through face



EB2

Battery operated electro-balance damper with remote control, cable through drywall with termination fixture

Select Model		
✓	LSD	High Induction Linear Slot Diffuser, 4" long sectors

End Borders		
	AR	Two End Borders
	ARI	Left End Border Only
	ARD	Right End Border Only
	INT	No End Border (Central Sections)

Mounting		
	PL	Concealed Spring Clips (requires PLSD)
	PM	Concealed U Clip
	T	Visible Screws

Sectored Vanes Color		
	-AN	Black
	-AB	White

Finish		
	/M9016	Powder Coated White RAL 9016 (standard)
	/AA	Anodized in matt silver with black vanes
	/RAL xxxx	Other (specify) :

Plenum		
	PLSD	Side connection & hidden spring clips attachment system
	PLSD-T	Top connection & hidden spring clips attachment system

Neck-Installed Air Volume Damper		
	R	Perforated air volume damper/equalizer
	MRT	Manually operated, cable through face
	MRT2	Manually operated, drywall termination fixture
	EB	Electro-balanced, battery powered, cable through face
	EB2	Electro-balanced, battery powered, termination fixture

Cable Length (MRT2 or EB2)		

Insulation		
	AL	1/2" Interior Accoustical Liner
	R6	2" Exterior R6 Thermal Insulation

Air Equalizing Grid		
	EQ	Perforated plate / air equalizer

Listed L (inches)		

Number of Slots		
	1	1 Slot
	2	2 Slots
	3	3 Slots
	4	4 Slots

Airflow Balancing (Optional)		
	W1	1 Way
	W2	2 Way
	W2A	2 Way Alternate (Default)
	V	Vertical

Project:	
Engineer:	
Architect:	
Contractor:	

LSD Series High Induction Linear Slot Diffuser

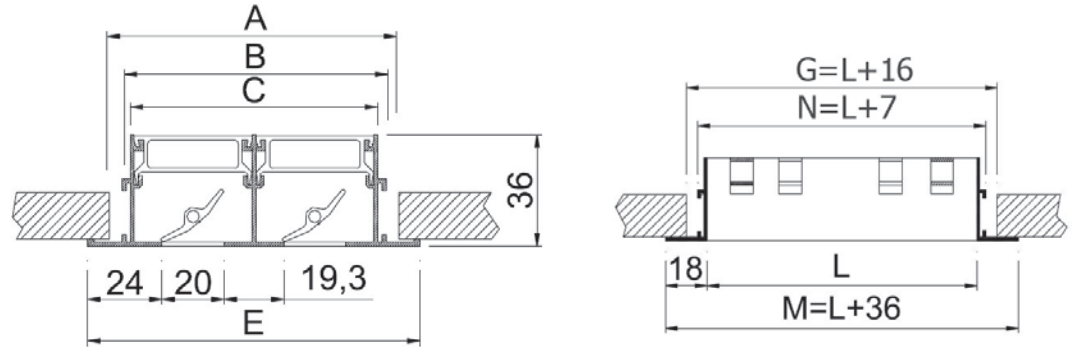
Material | Extruded aluminum and extruded PVC sectored deflection vanes

Air Pattern | Adjustable

Ceiling Types | Open and Closed



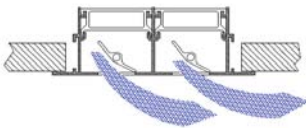
LSD
by MADEL®



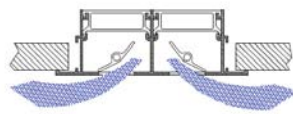
	Nb Slots	E	A	B	C
	1	68	55	46.7	40.5
	2	107.3	95	86.1	79.9
	3	146.6	134	125.5	119.3
	4	185.9	173	164.9	158.7

All dimensions in mm

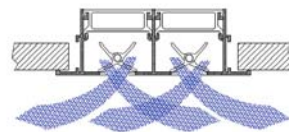
Airflow Balancing



1 Way



2 Way

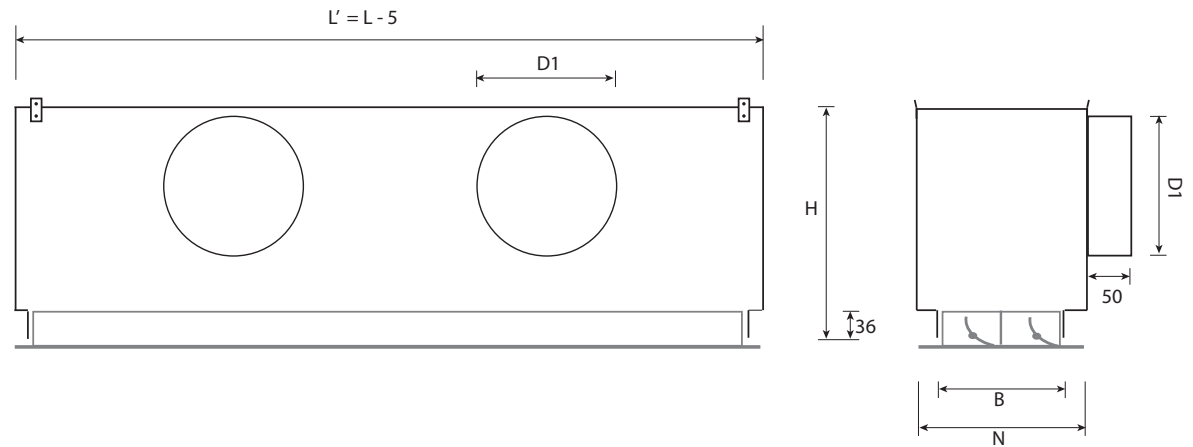


2 Way Alternate
(Default)



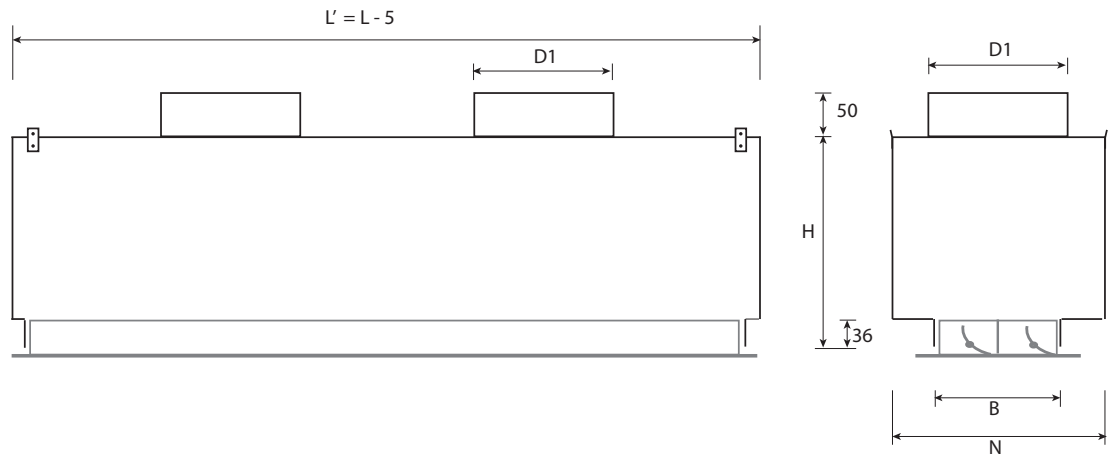
Vertical

PLSD Plenum (Side Connection)



Nb Slots	H	B	N	D1 (L ≤ 500)	D1 (L ≤ 1000)	D1 (L ≤ 1200)	D1 (L ≤ 1500)	D1 (L ≤ 2000)
1	256	46.7	69	1x 148	1x 148	1x 148	1x 148	2x 148
2	256	86.1	108	1x 148	1x 148	1x 148	2x 148	2x 148
3	296	125.5	147	1x 198	1x 198	2x 198	2x 198	2x 198
4	296	164.9	186	1x 198	1x 198	2x 198	2x 198	2x 198

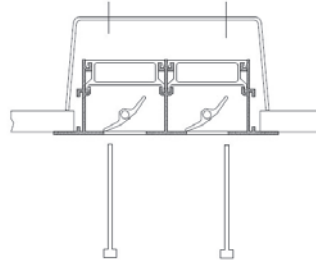
PLSD-T Plenum (Top Connection)



Nb Slots	H	B	N	D1 (L ≤ 500)	D1 (L ≤ 1000)	D1 (L ≤ 1200)	D1 (L ≤ 1500)	D1 (L ≤ 2000)
1	203	46.7	175	1x 148	1x 148	1x 148	1x 148	2x 148
2	203	86.1	175	1x 148	1x 148	1x 148	2x 148	2x 148
3	254	125.5	225	1x 198	1x 198	2x 198	2x 198	2x 198
4	254	164.9	225	1x 198	1x 198	2x 198	2x 198	2x 198

PM Mounting Kit

PM Mounting Kit consists of C shaped clips with long screws. Recommended for installation without plenum.

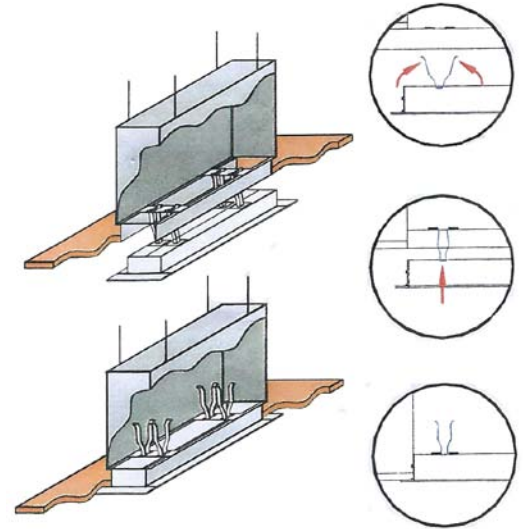


PL Hidden Mounting System

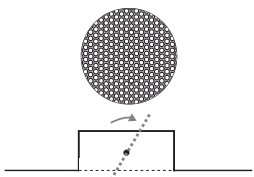
PL Hidden Mounting System consists of spring clips attached to the diffuser and special brackets attached to the plenum.

The clips have a two steps profile. The hooks must first be inserted into the brackets. The hooks secure the product in place, even when submitted to intense vibrations, making it safe for ceiling installation.

The second step only requires to push the diffuser until it lays flush with the gypsum or plenum opening. The spring pressure maintains the product in place.

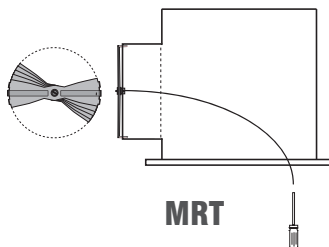


Integrated Air Volume Dampers



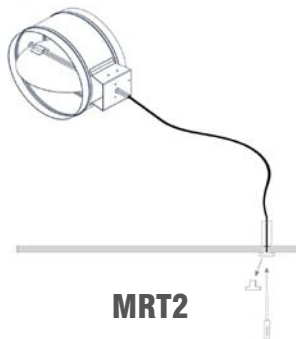
R

Perforated damper +
air equalizer



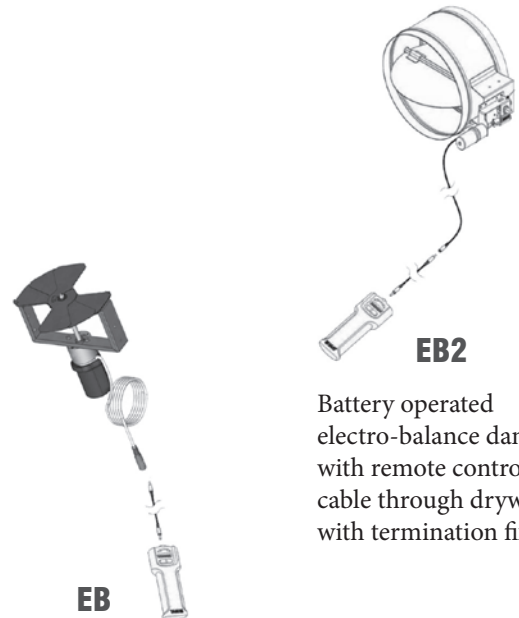
MRT

Manually operated damper,
cable inside the plenum,
adjustment through face



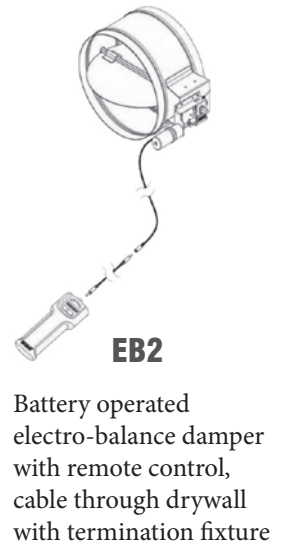
MRT2

Manually operated damper,
cable through drywall with
termination fixture



EB

Battery operated
electro-balance damper
with remote control,
cable through face



EB2

Battery operated
electro-balance damper
with remote control,
cable through drywall
with termination fixture

Select Model		
✓	LSD	High Induction Linear Slot Diffuser, 100mm long sectors

End Borders		
	AR	Two End Borders
	ARI	Left End Border Only
	ARD	Right End Border Only
	INT	No End Border (Central Sections)

Mounting		
	PL	Concealed Spring Clips (requires PLSD)
	PM	Concealed U Clip
	T	Visible Screws

Sectored Vanes Color		
	-AN	Black
	-AB	White

Finish		
	/M9016	Powder Coated White RAL 9016 (standard)
	/AA	Anodized in matt silver with black vanes
	/RAL xxxx	Other (specify) :

Plenum		
	PLSD	Side connection & hidden spring clips attachment system
	PLSD-T	Top connection & hidden spring clips attachment system

Neck-Installed Air Volume Damper		
	R	Perforated air volume damper/equalizer
	MRT	Manually operated, cable through face
	MRT2	Manually operated, drywall termination fixture
	EB	Electro-balanced, battery powered, cable through face
	EB2	Electro-balanced, battery powered, termination fixture

Cable Length (MRT2 or EB2)		

Insulation		
	AL	1/2" (13mm) Interior Accoustical Liner
	R6	2" (50mm) Exterior R6 Thermal Insulation

Air Equalizing Grid		
	EQ	Perforated plate / air equalizer

Listed L (inches)		

Number of Slots		
	1	1 Slot
	2	2 Slots
	3	3 Slots
	4	4 Slots

Airflow Balancing (Optional)		
	W1	1 Way
	W2	2 Way
	W2A	2 Way Alternate (Default)
	V	Vertical

Project:	
Engineer:	
Architect:	
Contractor:	

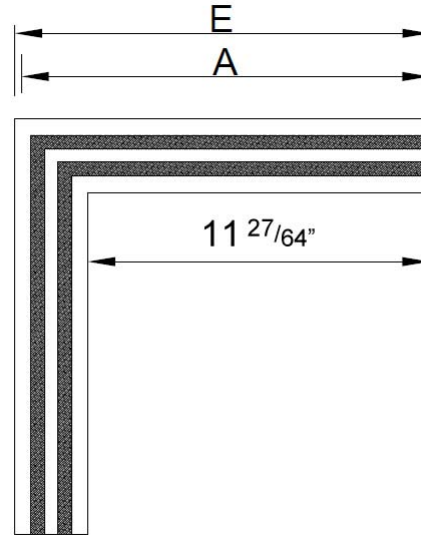
LSD-A90 Series Inactive 90° Angle for Linear Sectored Slot Diffusers

Material | Extruded aluminum and extruded PVC sectored deflection vanes

Air Pattern | Adjustable

Ceiling Types | Open and Closed

Nb of Slots	E	A
1	14 31/64"	14 3/32"
2	16 1/32"	15 5/8"
3	17 19/32"	17 13/64"
4	19 9/64"	18 47/64"



Select Model	
<input checked="" type="checkbox"/>	LSD-A90

Sectored Vanes Color	
<input type="checkbox"/>	Black (/AN)
<input type="checkbox"/>	White (/AB)

Select Finish	
<input type="checkbox"/>	Powder Coated White RAL 9016
<input type="checkbox"/>	Anodized in matt silver with black vanes
<input type="checkbox"/>	Other (specify) :

Project:	
Engineer:	
Architect:	
Contractor:	

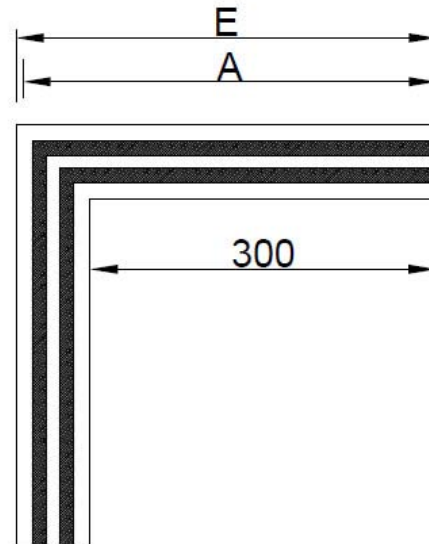
LSD-A90 Series Inactive 90° Angle for Linear Sectored Slot Diffusers

Material | Extruded aluminum and extruded PVC sectored deflection vanes

Air Pattern | Adjustable

Ceiling Types | Open and Closed

Nb of Slots	E	A
1	368	358
2	407	397
3	447	437
4	486	476



Select Model	
<input checked="" type="checkbox"/>	LSD-A90
Sectored Vanes Color	
<input type="checkbox"/>	Black (/AN)
<input type="checkbox"/>	White (/AB)
Select Finish	
<input type="checkbox"/>	Powder Coated White RAL 9016
<input type="checkbox"/>	Anodized in matt silver with black vanes
<input type="checkbox"/>	Other (specify) :

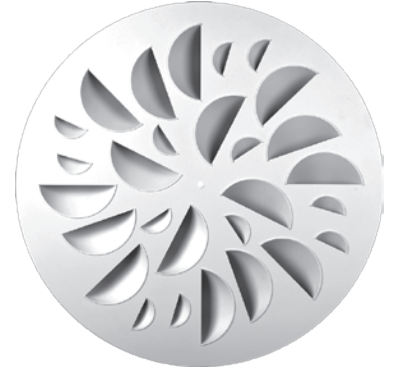
Project:	
Engineer:	
Architect:	
Contractor:	

NEX-C Series Concave Elements Round Swirl Diffusers

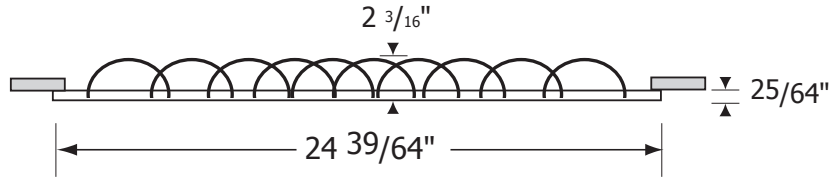
Material | Powder coated stamped heavy gauge steel face and ABS elements.

Air Pattern | Fix high induction swirl pattern.

Ceiling Types | Open and Closed.



NEX-C
by MADEL®



Select Model			
✓	Imperial	✓	Metric
	NEX-C 25		NEX-C 625

Select Elements Color	
<input type="checkbox"/>	White Elements (Standard)
<input type="checkbox"/>	Lavender Blue (/EL)
<input type="checkbox"/>	Pistachio Green (/EV)
<input type="checkbox"/>	Night (/EN)
<input type="checkbox"/>	Red (/ER)

Select Finish	
<input type="checkbox"/>	Powder Coated White
<input type="checkbox"/>	Other (specify) :

Important! PERFAIR or PLXOC-R plenums ordered separately

Project:	
Engineer:	
Architect:	
Contractor:	

NEX-S Series Concave Elements Square Swirl Diffusers

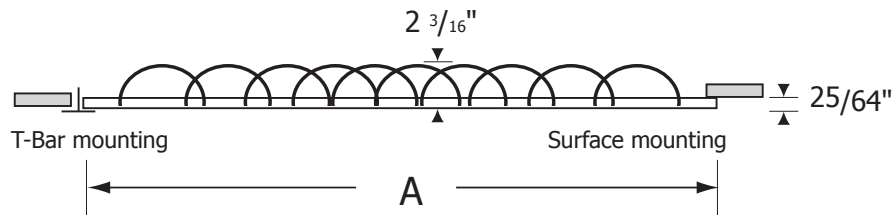


NEX-S
by MADEL®

Material | Powder coated stamped heavy gauge steel face and ABS elements.

Air Pattern | Fix high induction swirl pattern.

Ceiling Types | False, Open and Closed.



Select Model					
✓	Imperial	A	✓	Metric	A
	NEX-S 12	11 3/4"		NEX-S 299	299mm
	NEX-S 24	23 3/4"		NEX-S 605	605mm

Select Elements Color	
	White Elements (Standard)
	Lavender Blue (/EL)
	Pistachio Green (/EV)
	Night (/EN)
	Red (/ER)

Select Finish	
	Powder Coated White
	Other (specify) :

Important! PERFAIR or BOXSTAR plenums ordered separately

Project:	
Engineer:	
Architect:	
Contractor:	

OTO-C Series Curved Slots Swirl Diffusers - Round

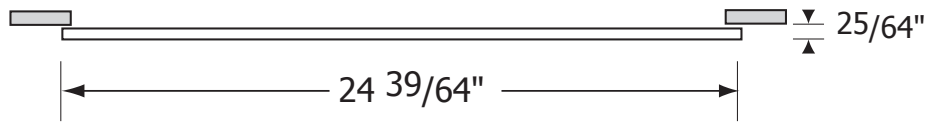
Material | Powder coated stamped heavy gauge steel.

Air Pattern | 100% horizontally adjustable.

Ceiling Types | Open and Closed.



OTO-C
by MADEL®



Select Model			
<input checked="" type="checkbox"/>	Imperial	<input checked="" type="checkbox"/>	Metric
	OTO-C 25		OTO-C 625

Select Finish	
<input type="checkbox"/>	Powder Coated White
<input type="checkbox"/>	Other (specify) :

Important! PERFAIR or PLXOC-R plenums ordered separately

Project:	
Engineer:	
Architect:	
Contractor:	

OTO-S Series Curved Slots Swirl Diffusers - Square

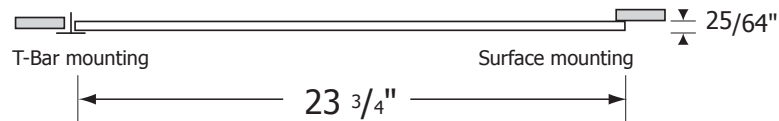
Material | Powder coated stamped heavy gauge steel.

Air Pattern | 100% horizontally adjustable.

Ceiling Types | False, Open and Closed.



OTO-S
by MADEL®



Select Model			
<input checked="" type="checkbox"/>	Imperial	<input checked="" type="checkbox"/>	Metric
	OTO-S 24		OTO-S 605

Select Finish	
	Powder Coated White
	Other (specify) :

Important! PERFAIR or BOXSTAR plenums ordered separately

Project:	
Engineer:	
Architect:	
Contractor:	

PLAY-C Series Adjustable Sectors Round Diffusers

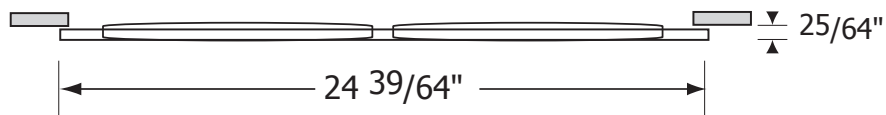
Material | Powder coated stamped heavy gauge steel.

Air Pattern | 100% horizontally adjustable.

Ceiling Types | Open and Closed.



PLAY-C
by MADEL®



Select Model			
✓	Imperial	✓	Metric
	PLAY-C 25		PLAY-C 625

Select Finish	
	Powder Coated White
	Other (specify) :

Important! PERFAIR or PLXOC-R plenums ordered separately

Project:	
Engineer:	
Architect:	
Contractor:	

PLAY-R Series Adjustable Sectors Rectangular Diffusers

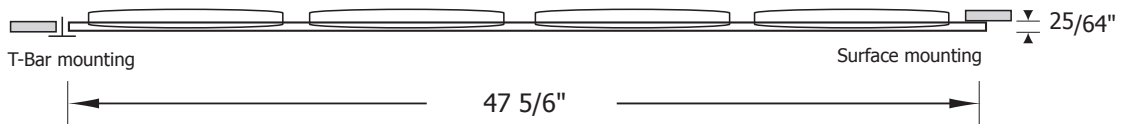


PLAY-R by MADEL®

Material | Powder coated stamped heavy gauge steel.

Air Pattern | 100% horizontally adjustable.

Ceiling Types | False, Open and Closed.



Select Model			
✓	Imperial	✓	Metric
	PLAY-R 48 12		PLAY-R 1215 300

Select Finish	
	Powder Coated White
	Other (specify) :

**Important! PERFAIR or PLXOR
plenums ordered separately**

Project:	
Engineer:	
Architect:	
Contractor:	

PLAY-S Series Adjustable Sectors Square Diffuser

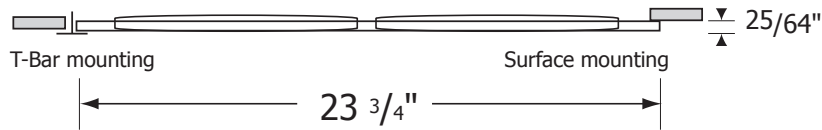
Material | Powder coated stamped heavy gauge steel.

Air Pattern | 100% horizontally adjustable.

Ceiling Types | False, Open and Closed.



PLAY-S
by MADEL®



Select Model			
<input checked="" type="checkbox"/>	Imperial	<input checked="" type="checkbox"/>	Metric
	PLAY-S 24		PLAY-S 605

Select Finish	
	Powder Coated White
	Other (specify) :

Important! PERFAIR plenums required

Project:	
Engineer:	
Architect:	
Contractor:	

RXO-C Series Round Stamped Steel Swirl Diffuser

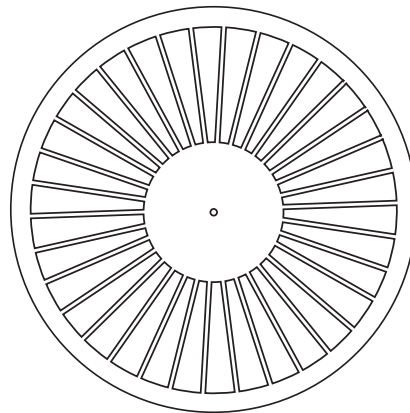
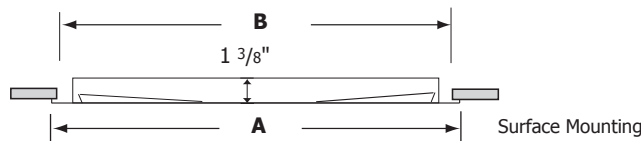
Material | Powder coated stamped heavy gauge steel

Air Pattern | Fix swirl pattern

Ceiling Types | Surface or Visible Duct



RXO-C



Select Model			
✓	Model	A	B
	RXO-C 16	15 $\frac{3}{4}"$	14 $\frac{9}{16}"$
	RXO-C 20	19 $\frac{31}{64}"$	18 $\frac{1}{2}"$
	RXO-C 25	24 $\frac{13}{32}"$	22 $\frac{23}{64}"$

Select Finish	
	Powder Coated White RAL 9016
	Other (specify) :

Project:	
Engineer:	
Architect:	
Contractor:	

Important! PERFAIR plenums required

RXO-C Series Round Stamped Steel Swirl Diffuser

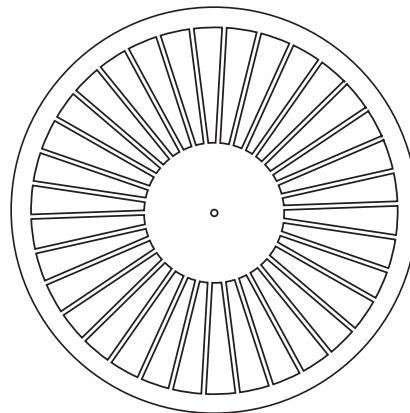
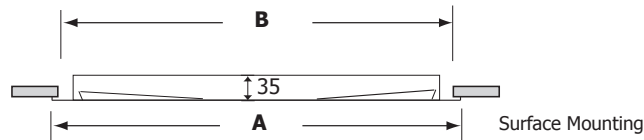
Material | Powder coated stamped heavy gauge steel

Air Pattern | Fix swirl pattern

Ceiling Types | Surface or Visible Duct



RXO-C



Select Model			
✓	Model	A	B
	RXO-C 400	400 mm	370 mm
	RXO-C 500	500 mm	470 mm
	RXO-C 625	625 mm	568 mm

Select Finish	
	Powder Coated White RAL 9016
	Other (specify) :

Project:	
Engineer:	
Architect:	
Contractor:	

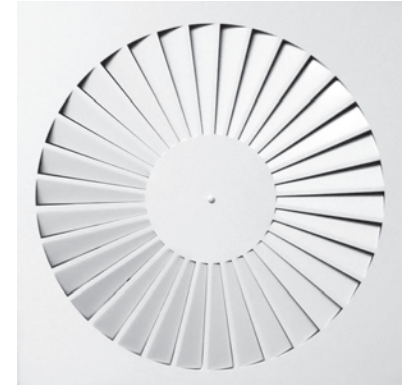
Important! PERFAIR plenums required

RXO-S Series Square Stamped Steel Swirl Diffuser

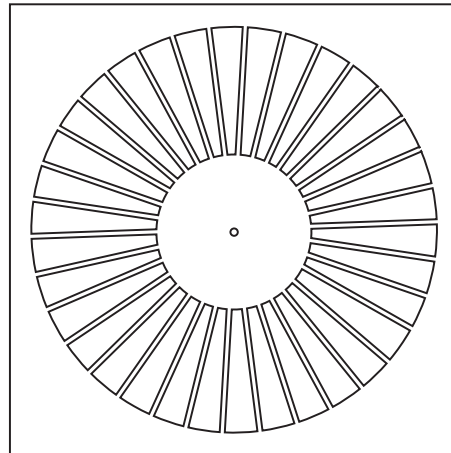
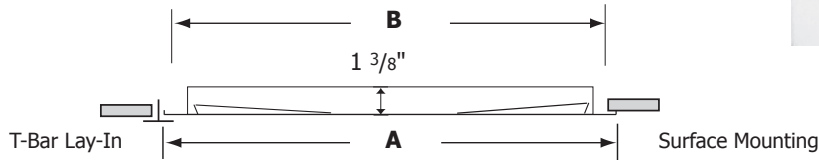
Material | Powder coated stamped heavy gauge steel

Air Pattern | Fix swirl pattern

Ceiling Types | All



RXO-S



Select Model			
✓	Model	A	B
	RXO-S 16	15 $\frac{35}{64}$ "	14 $\frac{9}{16}$ "
	RXO-S 20	19 $\frac{31}{64}$ "	18 $\frac{1}{2}$ "
	RXO-S 24	23 $\frac{3}{4}$ "	22 $\frac{23}{64}$ "
	RXO-S400 24	23 $\frac{3}{4}$ "	22 $\frac{23}{64}$ "
	RXO-S500 24	23 $\frac{3}{4}$ "	22 $\frac{23}{64}$ "

Select Finish	
	Powder Coated White RAL 9016
	Other (specify) :

Project:	
Engineer:	
Architect:	
Contractor:	

Important! PERFAIR plenums required

RXO-S Series Square Stamped Steel Swirl Diffuser

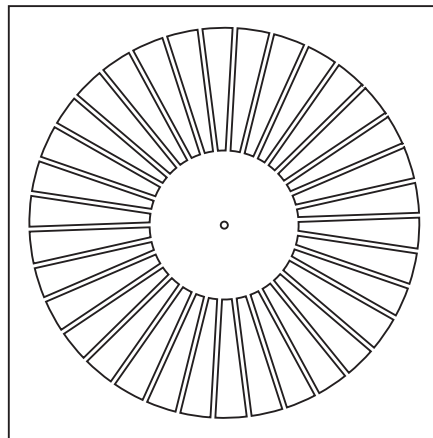
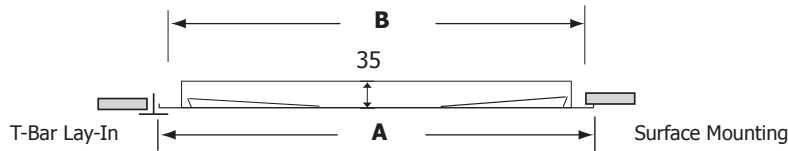
Material | Powder coated stamped heavy gauge steel

Air Pattern | Fix swirl pattern

Ceiling Types | All



RXO-S



Select Model			
✓	Model	A	B
	RXO-S 400	395 mm	370 mm
	RXO-S 500	495 mm	470 mm
	RXO-S 605	600 mm	568 mm
	RXO-S400 605	600 mm	568 mm
	RXO-S500 605	600 mm	568 mm

Select Finish	
	Powder Coated White RAL 9016
	Other (specify) :

Project:	
Engineer:	
Architect:	
Contractor:	

Important! PERFAIR plenums required

RXO-S-ALU Series Square Stamped Aluminum Swirl Diffuser

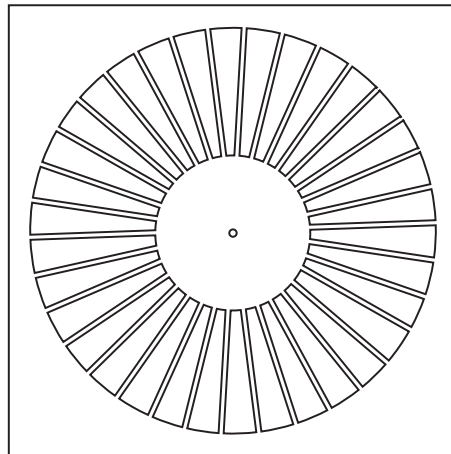
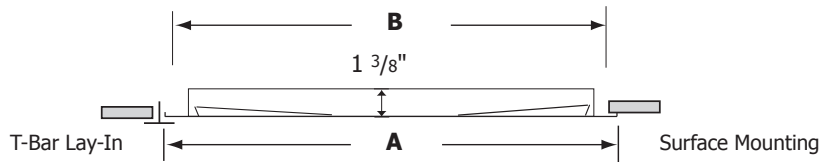
Material | Powder coated stamped heavy gauge aluminum

Air Pattern | Fix swirl pattern

Ceiling Types | All



RXO-S-ALU



Select Model			
✓	Model	A	B
	RXO-S-ALU 24	$23 \frac{3}{4}$ "	$22 \frac{23}{64}$ "

Select Finish	
	Powder Coated White RAL 9016
	Other (specify) :

Important! PERFAIR plenums required

Project:	
Engineer:	
Architect:	
Contractor:	

SKC-C Series Constant Air Volume Damper For Circular Duct

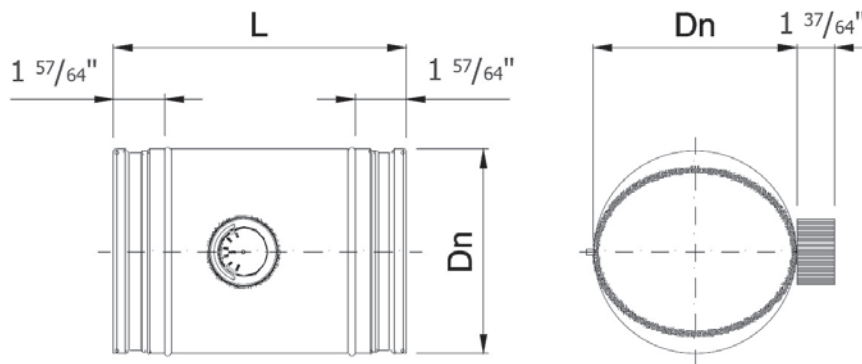
Material | Galvanized Steel

Pressure | between 50 Pa and 1000 Pa

Adjustment | manually pre-set, self-adjustable



SKC-C



Select Model

✓	Model	Dn	L	cfm	Min Pressure (in.w.g.)	Max Pressure (in.w.g.)
	SKC-C 04	3 55/64"	8 55/64"	59 - 147	0.201 - 0.442	4.019
	SKC-C 05	4 27/32"	10 5/8"	59 - 206	0.201 - 0.321	4.019
	SKC-C 06	6 7/32"	11 39/64"	106 - 353	0.201 - 0.402	4.019
	SKC-C 08	7 51/64"	11 39/64"	147 - 529	0.201 - 0.502	4.019
	SKC-C 10	9 49/64"	13 3/16"	265 - 706	0.201 - 0.543	4.019
	SKC-C 12	12 21/64"	13 25/64"	412 - 1235	0.201 - 0.884	4.019
	SKC-C 14	13 57/64"	14 61/64"	529 - 1529	0.201 - 0.884	4.019
	SKC-C 16	15 43/64"	16 17/32"	588 - 2000	0.201 - 0.884	4.019

Project:	
Engineer:	
Architect:	
Contractor:	

SKC-C Series Constant Air Volume Damper For Circular Duct

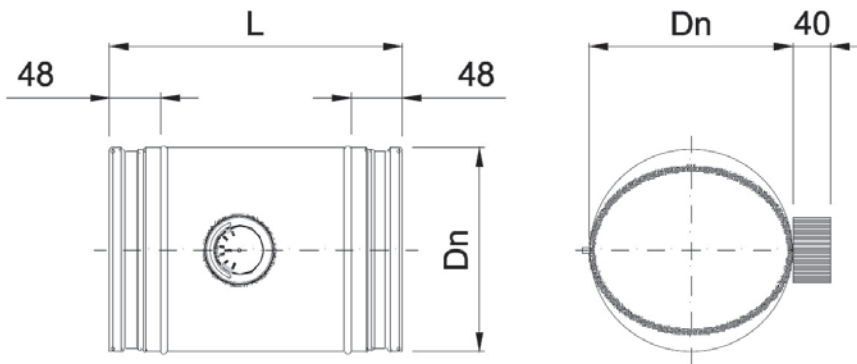
Material | Galvanized Steel

Pressure | between 50 Pa and 1000 Pa

Ajustment | manually pre-set, self-adjustable



SKC-C



Select Model

✓	Model	Dn	L	m3/h	Min Pressure (Pa)	Max Pressure (Pa)
	SKC-C 80	78 mm	225 mm	60 - 150	50 - 115	1000
	SKC-C 100	98 mm	270 mm	100 - 250	50 - 110	1000
	SKC-C 125	123 mm	270 mm	100 - 350	50 - 80	1000
	SKC-C 160	158 mm	295 mm	180 - 600	50 - 100	1000
	SKC-C 200	198 mm	295 mm	250 - 900	50 - 125	1000
	SKC-C 250	248 mm	335 mm	450 - 1200	50 - 135	1000
	SKC-C 315	313 mm	340 mm	700 - 2100	50 - 220	1000
	SKC-C 355	353 mm	380 mm	900 - 2600	50 - 220	1000
	SKC-C 400	398 mm	420 mm	1000 - 3400	50 - 220	1000

Project:	
Engineer:	
Architect:	
Contractor:	

SKC-R Series Constant Air Volume Damper For Rectangular Duct

Material | Galvanized Steel

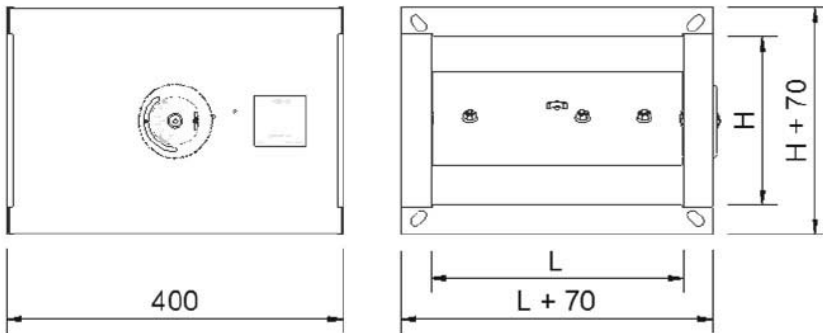
Pressure | between 50 Pa and 1000 Pa

Adjustment | manually pre-set, self-adjustable

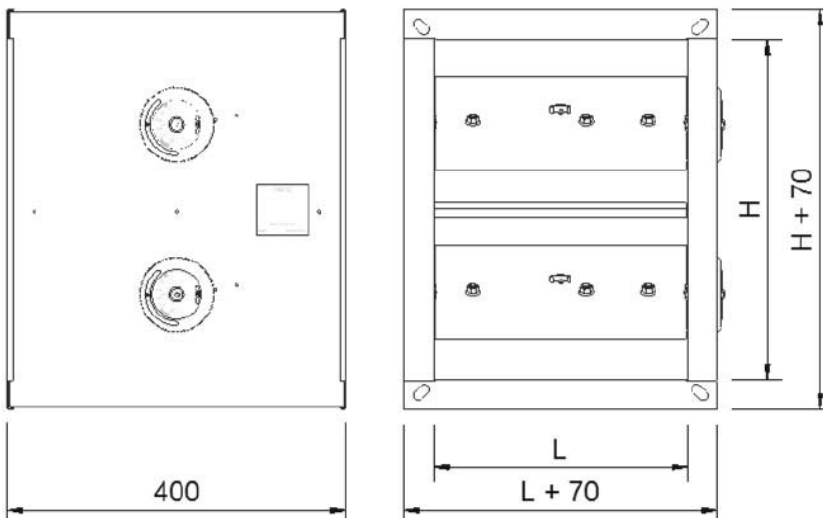


SKC-R

H ≤ 300



H > 400



Select Model			
✓	Model	L	H
	SKC-R		

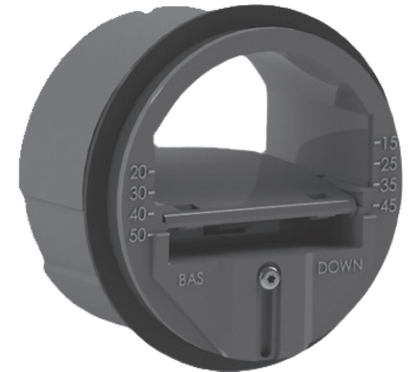
Project:	
Engineer:	
Architect:	
Contractor:	

SKP Series Low Pressure Constant Air Volume Damper

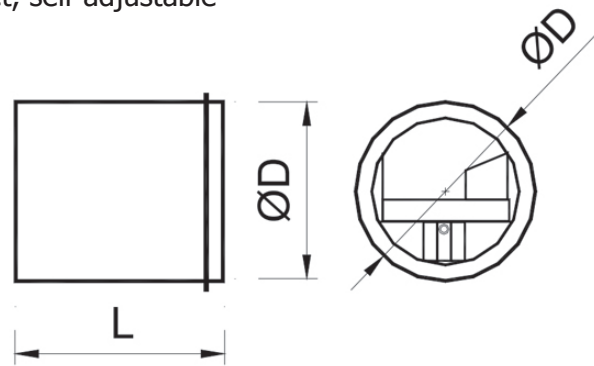
Material | Plastic (Rated UL 2043)

Pressure | between 50 Pa and 250 Pa

Adjustment | manually pre-set, self-adjustable



SKP



Select Model				
✓	Model	D	L	cfm
	SKP 80-30	2 63/64"	2 11/64"	9 - 29
	SKP 100-30	3 25/32"	2 3/4"	9 - 29
	SKP 100-60	3 25/32"	2 3/4"	29 - 59
	SKP 125-30	4 23/32"	3 25/64"	9 - 29
	SKP 125-60	4 23/32"	3 25/64"	29 - 59
	SKP 125-120	4 23/32"	3 25/64"	59 - 106
	SKP 150-150	5 53/64"	3 37/64"	59 - 106
	SKP 150-210	5 53/64"	3 37/64"	106- 176
	SKP 160-150	5 53/64"	3 37/64"	59 - 106
	SKP 160-210	5 53/64"	3 37/64"	106- 176
	SKP 200-300	7 43/64"	3 37/64"	106- 176
	SKP 200-350	7 43/64"	3 37/64"	176 - 294
	SKP 250-500	9 41/64"	3 37/64"	176 - 294
	SKP 250-600	9 41/64"	3 37/64"	294 - 412

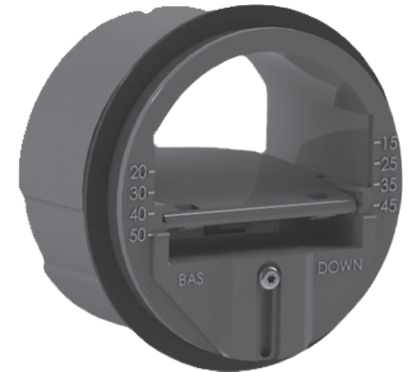
Project:	
Engineer:	
Architect:	
Contractor:	

SKP Series Low Pressure Constant Air Volume Damper

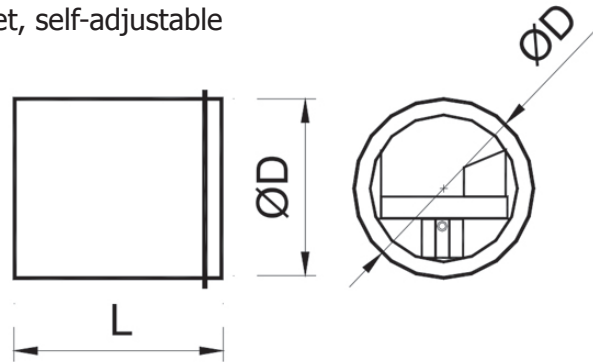
Material | Plastic (Rated UL 2043)

Pressure | between 50 Pa and 250 Pa

Adjustment | manually pre-set, self-adjustable



SKP



Select Model				
✓	Model	D	L	m3/h
	SKP 80-30	76 mm	55 mm	15 - 50
	SKP 100-30	96 mm	70 mm	15 - 50
	SKP 100-60	96 mm	70 mm	50 - 100
	SKP 125-30	120 mm	86 mm	15 - 50
	SKP 125-60	120 mm	86 mm	50 - 100
	SKP 125-120	120 mm	86 mm	100 - 180
	SKP 150-150	148 mm	91 mm	100 - 180
	SKP 150-210	148 mm	91 mm	180 - 300
	SKP 160-150	148 mm	91 mm	100 - 180
	SKP 160-210	148 mm	91 mm	180 - 300
	SKP 200-300	195 mm	91 mm	180 - 300
	SKP 200-350	195 mm	91 mm	300 - 500
	SKP 250-500	245 mm	91 mm	300 - 500
	SKP 250-600	245 mm	91 mm	500 - 700

Project:	
Engineer:	
Architect:	
Contractor:	

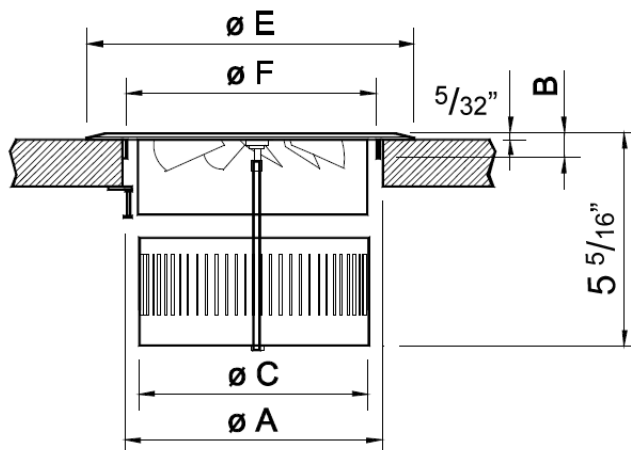
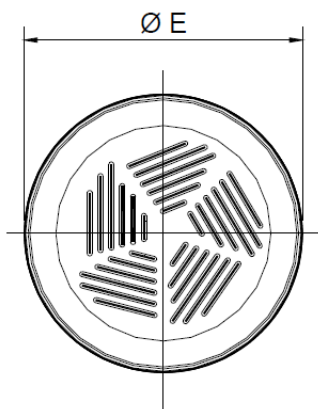
TAU Series Aluminum Floor Diffuser

Material | Aluminum

Air Pattern | Adjustable pattern



TAU



Select Model

✓	Model	A	E	F	C	B
	TAU 06	5 29/32"	7 31/64"	5 33/64"	5 13/64"	3/4"
	TAU 08	7 7/8"	9 29/64"	7 31/64"	7 11/64"	3/4"

Project:	
Engineer:	
Architect:	
Contractor:	

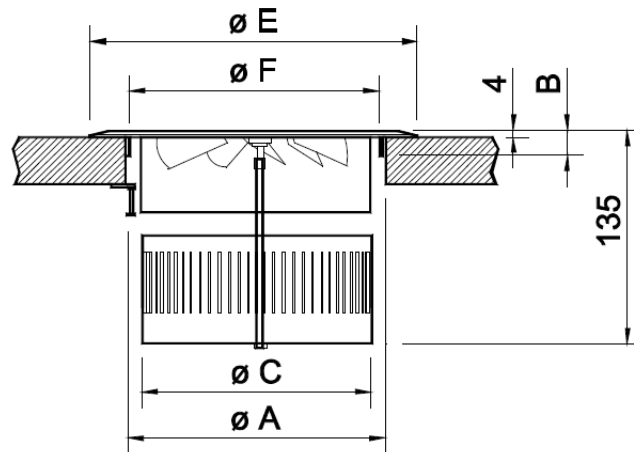
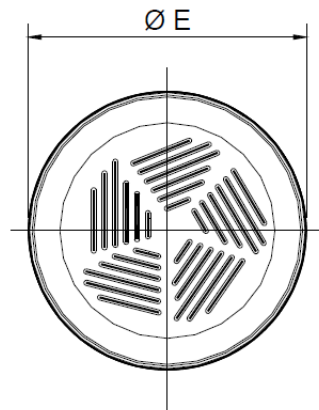
TAU Series Aluminum Floor Diffuser

Material | Aluminum

Air Pattern | Adjustable pattern



TAU



Select Model

✓	Model	A	E	F	C	B
	TAU 150	150 mm	190 mm	140 mm	132 mm	19 mm
	TAU 200	200 mm	240 mm	190 mm	182 mm	19 mm

Project:	
Engineer:	
Architect:	
Contractor:	

TWIST Series Stamped Steel Swirl Diffuser With Integral Plenum

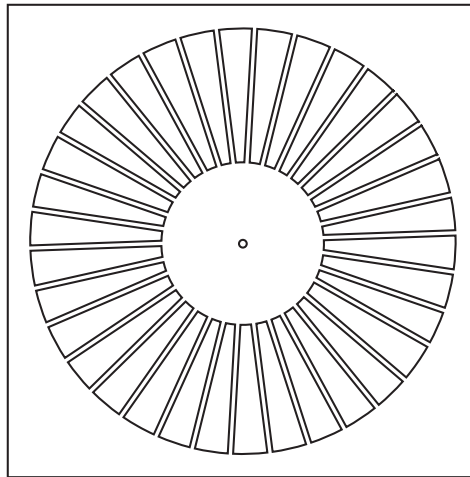
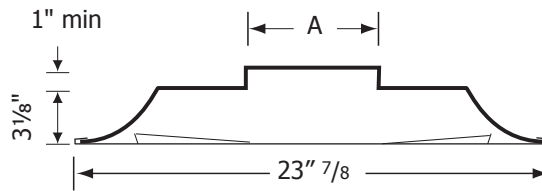
Material | Powder coated stamped heavy gauge steel

Air Pattern | Fix swirl pattern

Ceiling Types | False



TWIST



Select Model		
✓	Model	A
	TWIST 2406	5" 7/8
	TWIST 2408	7" 7/8
	TWIST 2410	9" 7/8
	TWIST 2412	11" 7/8

Select Options	
<input type="checkbox"/>	R6 Thermal Insulation

Select Finish	
<input type="checkbox"/>	Powder Coated White
<input type="checkbox"/>	Other (specify) :

Project:	
Engineer:	
Architect:	
Contractor:	

TWIST-ALU Series

Stamped Aluminum Swirl Diffuser With Integral Plenum

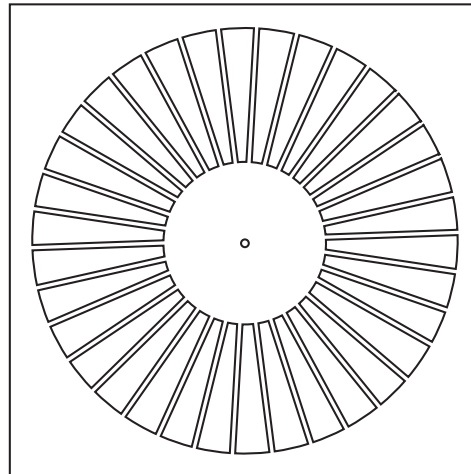
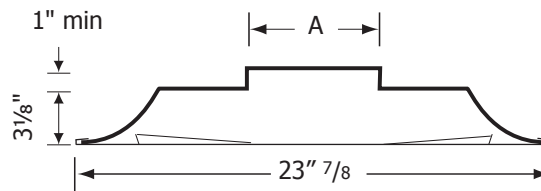
Material | Powder coated stamped heavy gauge aluminum

Air Pattern | Fix swirl pattern

Ceiling Types | False



TWIST-ALU



Select Model		
✓	Model	A
	TWIST-ALU 2406	5" 7/8
	TWIST-ALU 2408	7" 7/8
	TWIST-ALU 2410	9" 7/8
	TWIST-ALU 2412	11" 7/8

Select Options	
<input type="checkbox"/>	R6 Thermal Insulation

Select Finish	
<input type="checkbox"/>	Powder Coated White
<input type="checkbox"/>	Other (specify) :

Project:	
Engineer:	
Architect:	
Contractor:	

TWIST-CUT Series

Stamped Swirl Diffusers, Pre-Scored Insulated Back

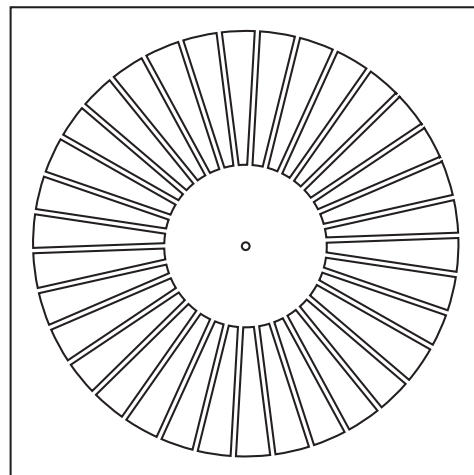
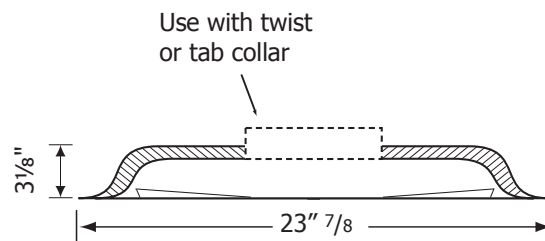
Material | Powder coated stamped heavy gauge steel face with pre-scored molded fiberglass back.

Air Pattern | Fix swirl pattern.

Ceiling Types | False.



TWIST-CUT



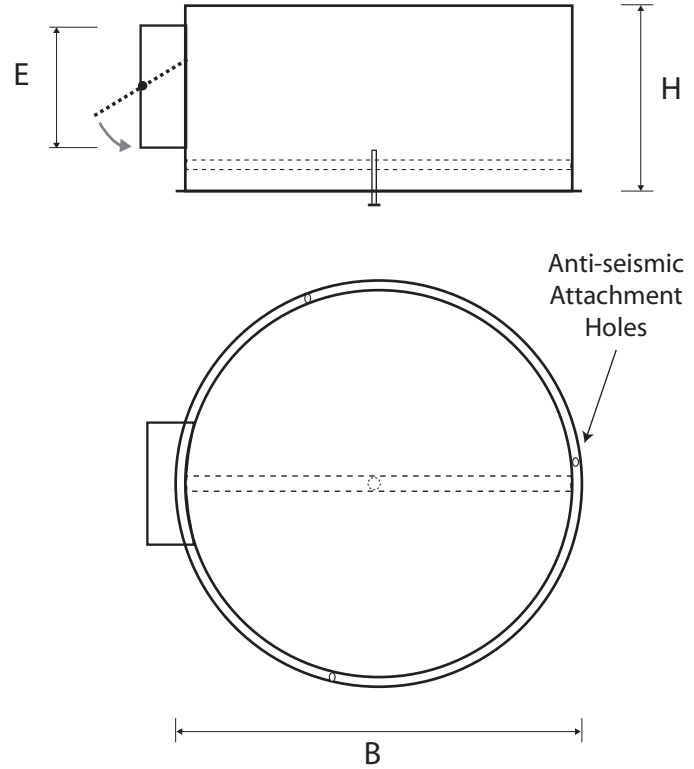
Select Model	
<input checked="" type="checkbox"/>	TWIST-CUT 24
Select Finish	
<input type="checkbox"/>	Powder Coated White
<input type="checkbox"/>	Other (specify) :

Project:	
Engineer:	
Architect:	
Contractor:	

PERFAIR-CS Series High Performance Plenum for Round Diffusers Cylindrical, Side Connection

Material | heavy gauge galvanized steel

Matching Faces | AXO-C, AXO-CY, NEX-C, OTO-C,
PLAY-C, RXO-C



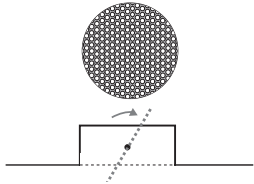
Select Model - Imperial					
✓	Model	Duct Size	B	E	H
	PERFAIR-CS 1205	5	11 3/8	4 7/8	9
	PERFAIR-CS 1206	6	11 3/8	5 7/8	9
	PERFAIR-CS 1208	8	11 3/8	7 7/8	9
	PERFAIR-CS 1606	6	15 1/4	5 7/8	10
	PERFAIR-CS 1608	8	15 1/4	7 7/8	10
	PERFAIR-CS 2006	6	19	5 7/8	12
	PERFAIR-CS 2008	8	19	7 7/8	12
	PERFAIR-CS 2010	10	19	9 7/8	12
	PERFAIR-CS 2506	6	24	5 7/8	13
	PERFAIR-CS 2508	8	24	7 7/8	13
	PERFAIR-CS 2510	10	24	9 7/8	13
	PERFAIR-CS 2512	12	24	11 7/8	13
	PERFAIR-CS 3312	12	33	11 7/8	16

All dimensions in inches

Select Model - Metric					
✓	Model	Duct Size	B	E	H
	PERFAIR-CS 300 125	125	295	123	225
	PERFAIR-CS 300 150	150	295	148	225
	PERFAIR-CS 300 200	200	295	198	225
	PERFAIR-CS 400 150	150	395	148	250
	PERFAIR-CS 400 200	200	395	198	250
	PERFAIR-CS 500 150	150	495	148	300
	PERFAIR-CS 500 200	200	495	198	300
	PERFAIR-CS 500 250	250	495	248	300
	PERFAIR-CS 625 150	150	620	148	350
	PERFAIR-CS 625 200	200	620	198	350
	PERFAIR-CS 625 250	250	620	248	350
	PERFAIR-CS 625 300	300	620	298	350
	PERFAIR-CS 825 300	300	820	298	415

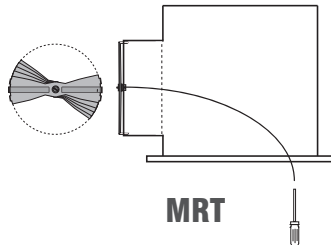
All dimensions in mm

Integrated Air Volume Dampers



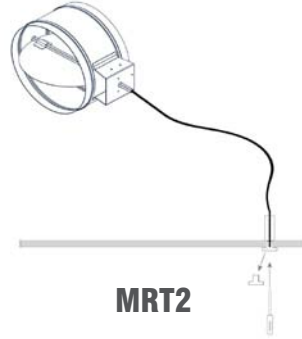
R

Perforated damper +
air equalizer



MRT

Manually operated damper,
cable inside the plenum,
adjustment through face



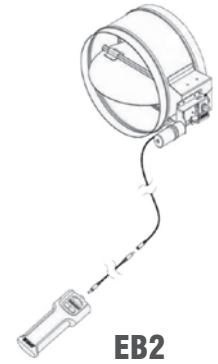
MRT2

Manually operated damper,
cable through drywall with
termination fixture



EB

Battery operated
electro-balance damper
with remote control,
cable through face



EB2

Battery operated
electro-balance damper
with remote control,
cable through drywall
with termination fixture

Insulation		
AL		1/2" Interior Accoustical Liner
R6		2" Exterior R6 Thermal Insulation

Neck-Installed Air Volume Damper		
R		Perforated air volume damper/equalizer (Standard)
MRT		Manually operated, cable thru face
MRT2		Manually operated, termination fixture
EB		Electro-balanced, battery powered, cable thru face
EB2		Electro-balanced, battery powered, termination fixture

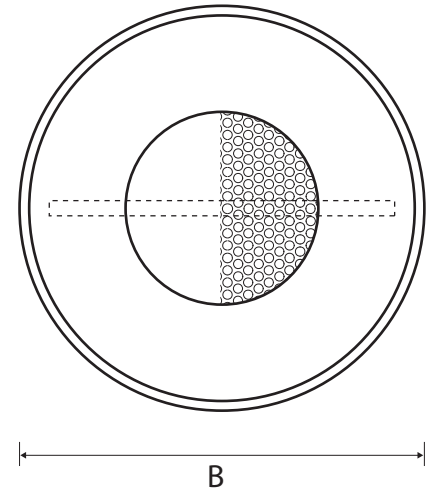
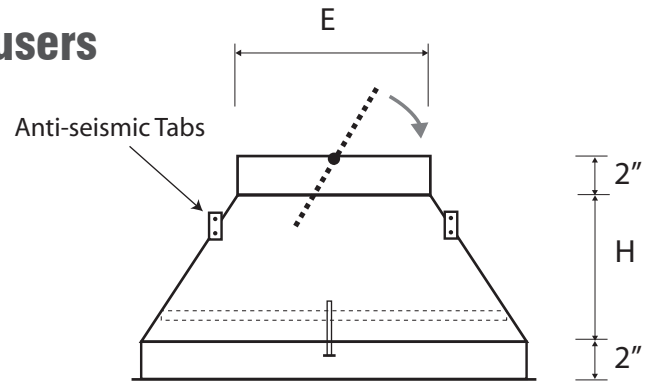
Cable Length (MRT2 or EB2)		

Project:	
Engineer:	
Architect:	
Contractor:	

PERFAIR-CT Series High Performance Plenum for Round Diffusers Conical, Top Connection

Material | heavy gauge galvanized steel.

Matching Faces | AXO-C, AXO-CY, NEX-C,
OTO-C, PLAY-C, RXO-C



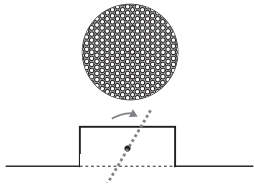
Select Model - Imperial					
✓	Model	Duct Size	B	E	H
	PERFAIR-CT 1205	5	11 3/8	4 7/8	6
	PERFAIR-CT 1206	6	11 3/8	5 7/8	6
	PERFAIR-CT 1208	8	11 3/8	7 7/8	6
	PERFAIR-CT 1606	6	15 1/4	5 7/8	6
	PERFAIR-CT 1608	8	15 1/4	7 7/8	6
	PERFAIR-CT 2006	6	19	5 7/8	8
	PERFAIR-CT 2008	8	19	7 7/8	8
	PERFAIR-CT 2010	10	19	9 7/8	8
	PERFAIR-CT 2506	6	24	5 7/8	8
	PERFAIR-CT 2508	8	24	7 7/8	8
	PERFAIR-CT 2510	10	24	9 7/8	8
	PERFAIR-CT 2512	12	24	11 7/8	8
	PERFAIR-CT 3312	12	33	11 7/8	12

All dimensions in inches

Select Model - Metric					
✓	Model	Duct Size	B	E	H
	PERFAIR-CT 300 125	125	295	123	152
	PERFAIR-CT 300 150	150	295	148	152
	PERFAIR-CT 300 200	200	295	198	152
	PERFAIR-CT 400 150	150	395	148	152
	PERFAIR-CT 400 200	200	395	198	152
	PERFAIR-CT 500 150	150	495	148	203
	PERFAIR-CT 500 200	200	495	198	203
	PERFAIR-CT 500 250	250	495	248	203
	PERFAIR-CT 625 150	150	620	148	203
	PERFAIR-CT 625 200	200	620	198	203
	PERFAIR-CT 625 250	250	620	248	203
	PERFAIR-CT 625 300	300	620	298	203
	PERFAIR-CT 825 300	300	820	298	305

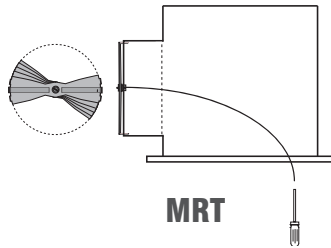
All dimensions in mm

Integrated Air Volume Dampers



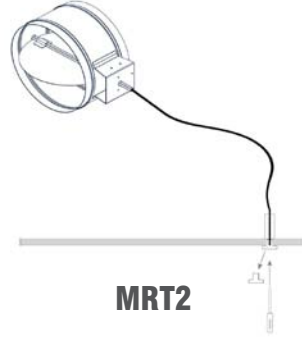
R

Perforated damper +
air equalizer



MRT

Manually operated damper,
cable inside the plenum,
adjustment through face



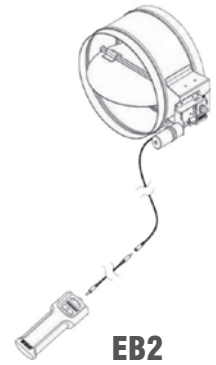
MRT2

Manually operated damper,
cable through drywall with
termination fixture



EB

Battery operated
electro-balance damper
with remote control,
cable through face



EB2

Battery operated
electro-balance damper
with remote control,
cable through drywall
with termination fixture

Insulation	
R6	2" Exterior R6 Thermal Insulation
Neck-Installed Air Volume Damper	
R	Perforated air volume damper/equalizer (Standard)
MRT	Manually operated, cable thru face
MRT2	Manually operated, termination fixture
EB	Electro-balanced, battery powered, cable thru face
EB2	Electro-balanced, battery powered, termination fixture
Cable Length (MRT2 or EB2)	

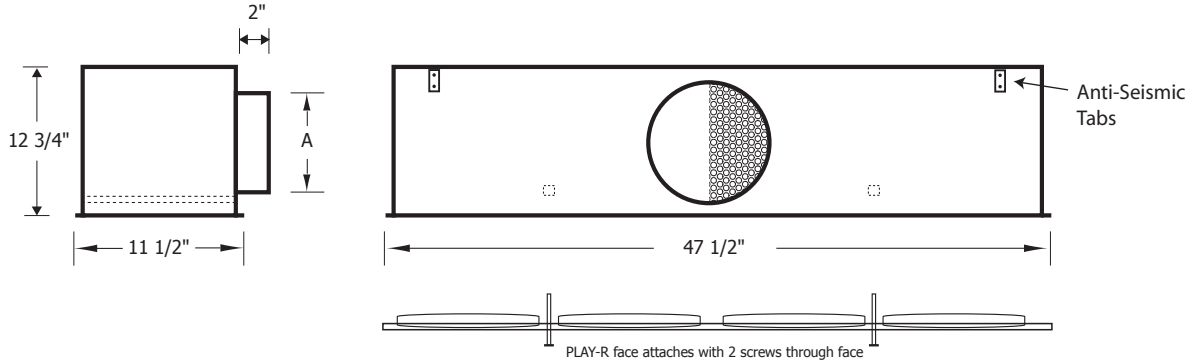
Project:	
Engineer:	
Architect:	
Contractor:	

PERFAIR-RS Series

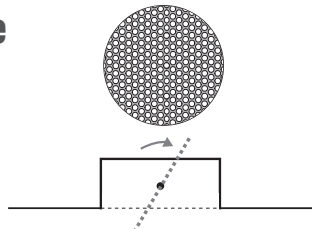
High Performance Plenum for Rectangular Diffusers, Side Connection

Material | heavy gauge galvanized steel

Matching Faces | PLAY-R

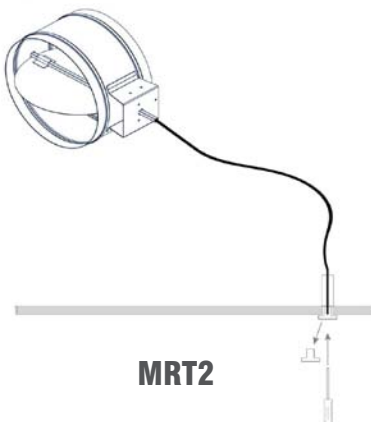


Integrated Air Volume Dampers



Standard

Perforated damper + air equalizer



MRT2

Manually operated damper, cable outside the plenum and thru drywall with termination fixture



EB2

Battery operated electro-balance damper with remote control, cable through drywall with termination fixture

Select Model			
✓	Model	Duct Size	A
	PERFAIR-RS 4812 06	6	5 7/8
	PERFAIR-RS 4812 08	8	7 7/8
	PERFAIR-RS 4812 10	10	9 7/8
	PERFAIR-RS 4812 12	12	11 7/8

All dimensions in inches

Insulation	
AL	1/2" Interior Accoustical Liner
R6	2" Exterior R6 Thermal Insulation

Neck-Installed Air Volume Damper	
-	Perforated air volume damper/equalizer
MRT2	Manually operated, termination fixture
EB2	Electro-balanced, battery powered

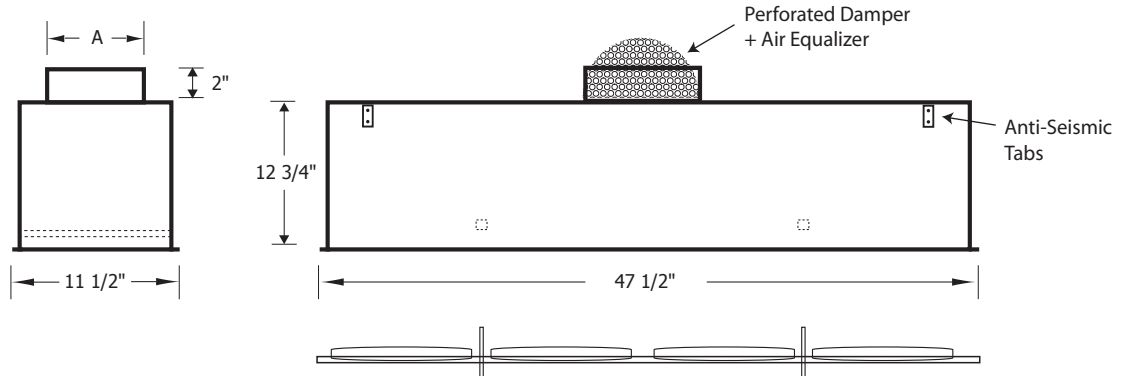
Cable Length (MRT2 or EB2)	

Project:	
Engineer:	
Architect:	
Contractor:	

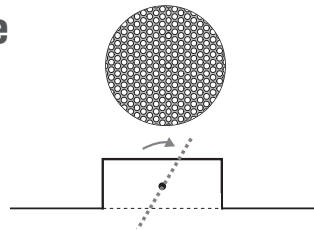
PERFAIR-RT Series High Performance Plenum for Rectangular Diffusers, Top Connection

Material | heavy gauge galvanized steel

Matching Faces | PLAY-R

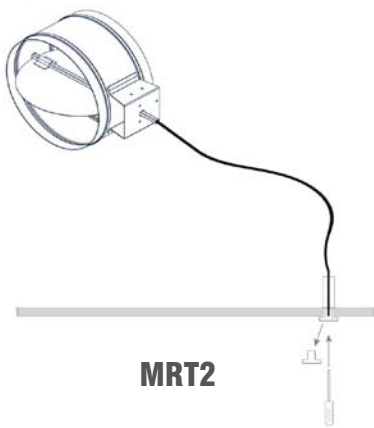


Integrated Air Volume Dampers



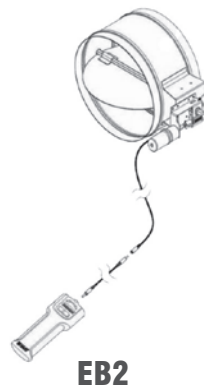
Standard

Perforated damper + air equalizer



MRT2

Manually operated damper, cable outside the plenum and thru drywall with termination fixture



EB2

Battery operated electro-balance damper with remote control, cable through drywall with termination fixture

Select Model			
✓	Model	Duct Size	A
	PERFAIR-RT 4812 06	6	5 7/8
	PERFAIR-RT 4812 08	8	7 7/8
	PERFAIR-RT 4812 10	10	9 7/8

All dimensions in inches

Insulation	
AL	1/2" Interior Accoustical Liner
R6	2" Exterior R6 Thermal Insulation

Neck-Installed Air Volume Damper	
-	Perforated air volume damper/equalizer
MRT2	Manually operated, termination fixture
EB2	Electro-balanced, battery powered

Cable Length (MRT2 or EB2)	

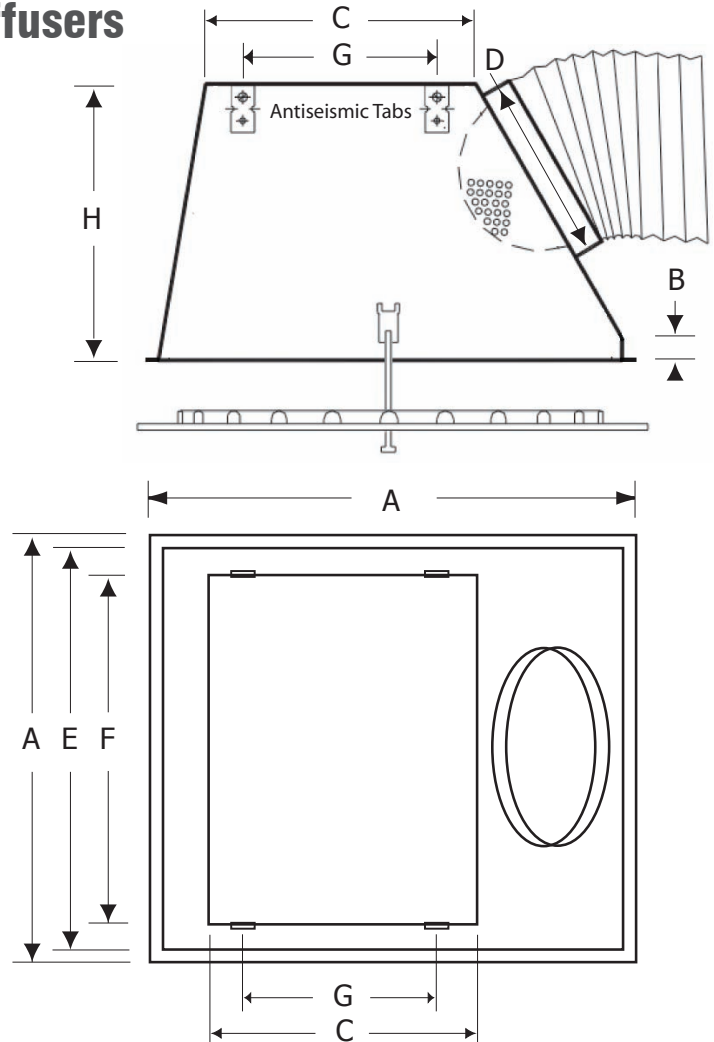
Project:	
Engineer:	
Architect:	
Contractor:	

PERFAIR-SS Series

High Performance Plenum for Square Diffusers Trapezoidal, Side Connection

Material | heavy gauge galvanized steel

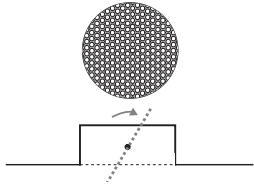
Matching Faces | AXO-S, AXO-S300, AXO-S400, AXO-SX, AXO-SY, NEX-S, OTO-S, PLAY-S, RXO-S



Select Model										
✓	Model	Duct Size	A	B	C	D	E	F	G	H
	PERFAIR-SS 1205	5	11 1/2	1	5 3/4	4 7/8	11 3/4	10 1/2	6 5/8	9 27/32
	PERFAIR-SS 1206	6	11 1/2	1	5 3/4	5 7/8	11 3/4	10 1/2	6 5/8	9 27/32
	PERFAIR-SS 1208	8	11 1/2	1	5 3/4	7 7/8	11 3/4	10 1/2	6 5/8	12
	PERFAIR-SS 1608	8	15 3/8	1	7 1/2	7 7/8	14 5/8	13 5/8	8 5/8	12
	PERFAIR-SS 2010	10	19 1/4	1	8 1/2	9 7/8	18 5/8	17 5/8	8 5/8	12
	PERFAIR-SS 2405	5	23 1/2	1	10 1/2	4 7/8	22 5/8	21 5/8	8 5/8	13 25/32
	PERFAIR-SS 2406	6	23 1/2	1	10 1/2	5 7/8	22 5/8	21 5/8	8 5/8	13 25/32
	PERFAIR-SS 2408	8	23 1/2	1	10 1/2	7 7/8	22 5/8	21 5/8	8 5/8	13 25/32
	PERFAIR-SS 2410	10	23 1/2	1	10 1/2	9 7/8	22 5/8	21 5/8	8 5/8	13 25/32
	PERFAIR-SS 2412	12	23 1/2	1	10 1/2	11 7/8	22 5/8	21 5/8	8 5/8	13 25/32

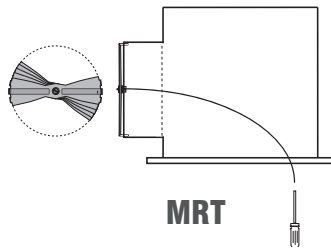
All dimensions in inches

Integrated Air Volume Dampers



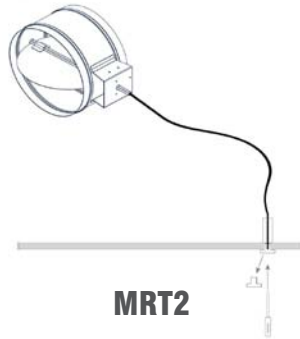
R

Perforated damper +
air equalizer



MRT

Manually operated damper,
cable inside the plenum,
adjustment through face



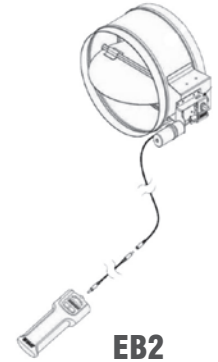
MRT2

Manually operated damper,
cable through drywall with
termination fixture



EB

Battery operated
electro-balance damper
with remote control,
cable through face



EB2

Battery operated
electro-balance damper
with remote control,
cable through drywall
with termination fixture

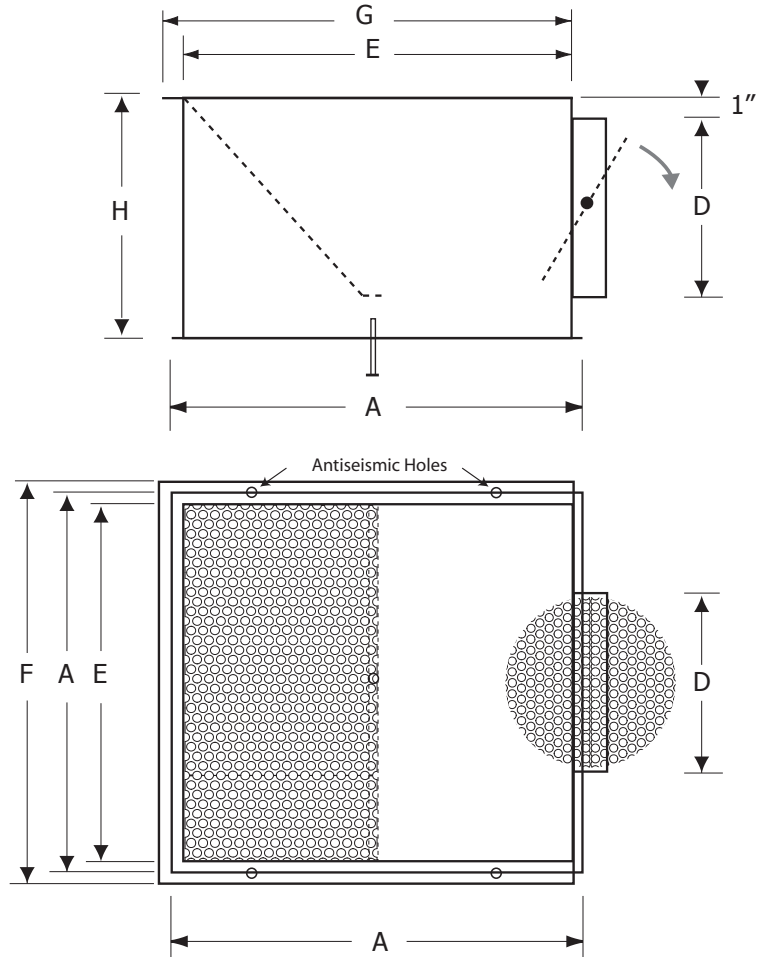
Insulation	
AL	1/2" Interior Accoustical Liner
R6	2" Exterior R6 Thermal Insulation
Neck-Installed Air Volume Damper	
R	Perforated air volume damper/equalizer (Standard)
MRT	Manually operated, cable thru face
MRT2	Manually operated, termination fixture
EB	Electro-balanced, battery powered, cable thru face
EB2	Electro-balanced, battery powered, termination fixture
Cable Length (MRT2 or EB2)	

Project:	
Engineer:	
Architect:	
Contractor:	

PERFAIR-SSS Series High Performance Plenum for Square Diffusers Side Connection, Straight

Material | heavy gauge galvanized steel

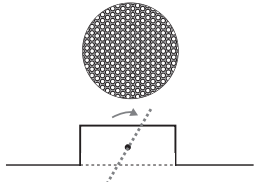
Matching Faces | AXO-S, AXO-S300, AXO-S400,
AXO-SX, AXO-SY, NEX-S, OTO-S, PLAY-S, RXO-S



Select Model								
✓	Model	Duct Size	A	D	E	F	G	H
	PERFAIR-SSS 1205	5	11 1/2	4 7/8	11 3/4	13 3/4	12 3/4	10
	PERFAIR-SSS 1206	6	11 1/2	5 7/8	11 3/4	13 3/4	12 3/4	10
	PERFAIR-SSS 1208	8	11 1/2	7 7/8	11 3/4	13 3/4	12 3/4	10
	PERFAIR-SSS 1608	8	15 3/8	7 7/8	14 5/8	16 5/8	15 5/8	12
	PERFAIR-SSS 2010	10	19 1/4	9 7/8	18 5/8	21 5/8	19 5/8	14
	PERFAIR-SSS 2405	5	23 1/2	4 7/8	22 5/8	24 5/8	23 5/8	14
	PERFAIR-SSS 2406	6	23 1/2	5 7/8	22 5/8	24 5/8	23 5/8	14
	PERFAIR-SSS 2408	8	23 1/2	7 7/8	22 5/8	24 5/8	23 5/8	14
	PERFAIR-SSS 2410	10	23 1/2	9 7/8	22 5/8	24 5/8	23 5/8	14
	PERFAIR-SSS 2412	12	23 1/2	11 7/8	22 5/8	24 5/8	23 5/8	14

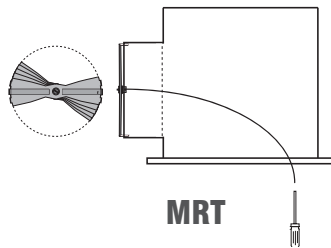
All dimensions in inches

Integrated Air Volume Dampers



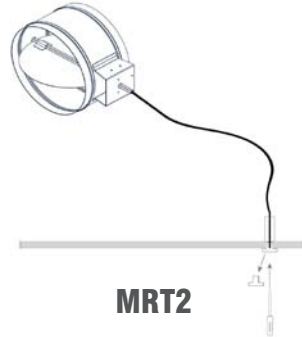
R

Perforated damper +
air equalizer



MRT

Manually operated damper,
cable inside the plenum,
adjustment through face



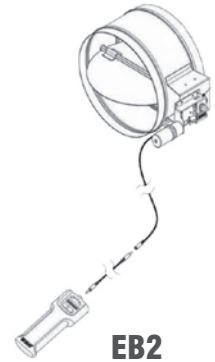
MRT2

Manually operated damper,
cable through drywall with
termination fixture



EB

Battery operated
electro-balance damper
with remote control,
cable through face



EB2

Battery operated
electro-balance damper
with remote control,
cable through drywall
with termination fixture

Insulation	
AL	1/2" Interior Accoustical Liner
R6	2" Exterior R6 Thermal Insulation

Neck-Installed Air Volume Damper	
R	Perforated air volume damper/equalizer (Standard)
MRT	Manually operated, cable thru face
MRT2	Manually operated, termination fixture
EB	Electro-balanced, battery powered, cable thru face
EB2	Electro-balanced, battery powered, termination fixture

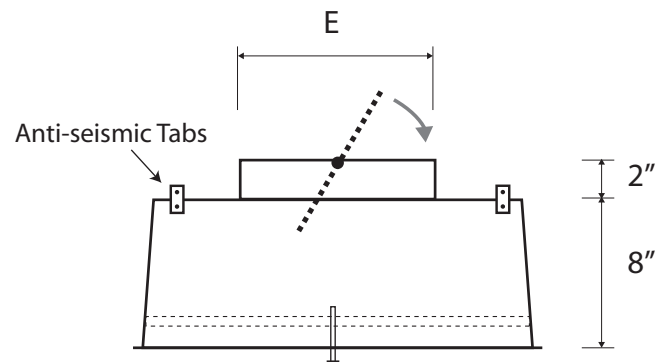
Cable Length (MRT2 or EB2)	

Project:	
Engineer:	
Architect:	
Contractor:	

PERFAIR-ST Series High Performance Plenum for Square Diffusers Top Connection

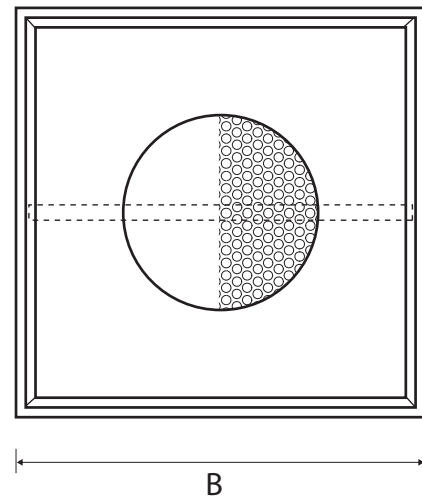
Material | heavy gauge galvanized steel

Matching Faces | AXO-S, AXO-S300, AXO-S400, AXO-SX, AXO-SY, NEX-S, OTO-S, PLAY-S, RXO-S

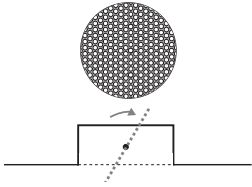


Select Model				
✓	Model	Duct Size	B	E
	PERFAIR-ST 1206	6	11 1/2	5 7/8
	PERFAIR-ST 1208	8	11 1/2	7 7/8
	PERFAIR-ST 2406	6	23 1/2	5 7/8
	PERFAIR-ST 2408	8	23 1/2	7 7/8
	PERFAIR-ST 2410	10	23 1/2	9 7/8
	PERFAIR-ST 2412	12	23 1/2	11 7/8

All dimensions in inches

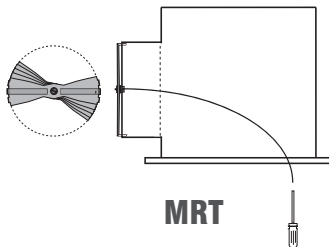


Integrated Air Volume Dampers



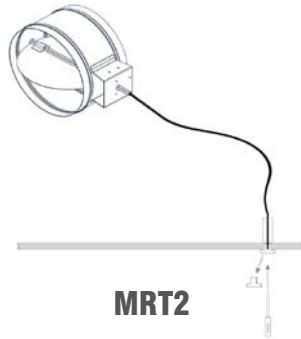
R

Perforated damper +
air equalizer



MRT

Manually operated damper,
cable inside the plenum,
adjustment through face



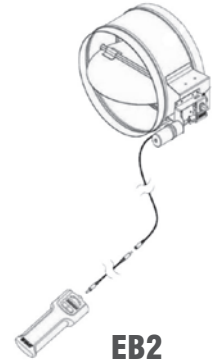
MRT2

Manually operated damper,
cable through drywall with
termination fixture



EB

Battery operated
electro-balance damper
with remote control,
cable through face



EB2

Battery operated
electro-balance damper
with remote control,
cable through drywall
with termination fixture

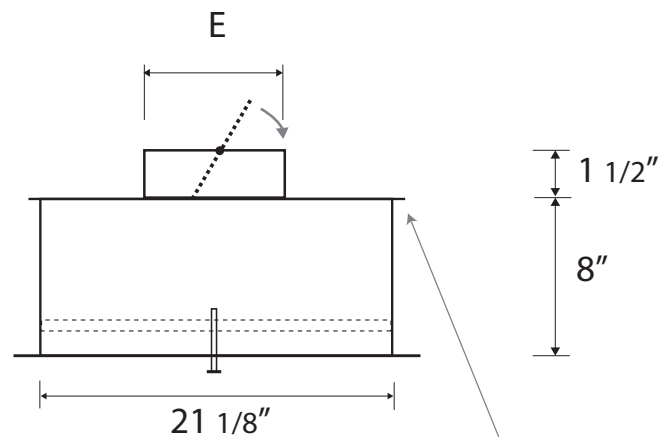
Insulation	
R6	2" Exterior R6 Thermal Insulation
Neck-Installed Air Volume Damper	
R	Perforated air volume damper/equalizer (Standard)
MRT	Manually operated, cable thru face
MRT2	Manually operated, termination fixture
EB	Electro-balanced, battery powered, cable thru face
EB2	Electro-balanced, battery powered, termination fixture
Cable Length (MRT2 or EB2)	

Project:	
Engineer:	
Architect:	
Contractor:	

PERFAIR-SCT Series High Performance Plenum for Square Diffusers Cylindrical Back With Top Connection

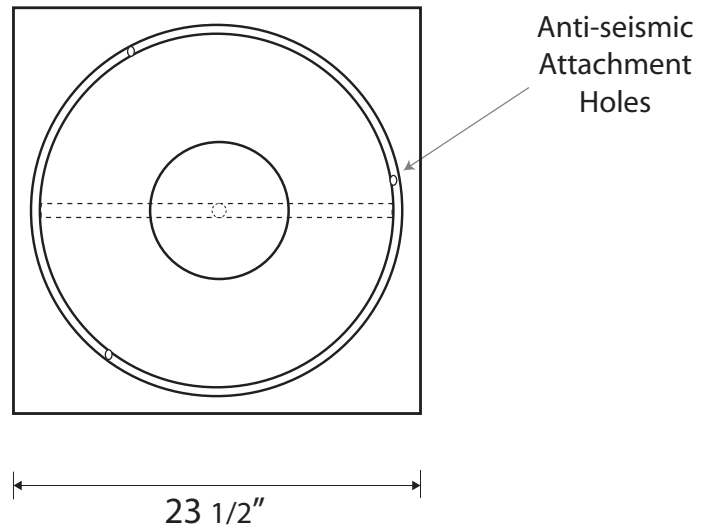
Material | heavy gauge galvanized steel

Matching Faces | AXO-S, AXO-S300, AXO-S400, AXO-SX, AXO-SY, NEX-S, OTO-S, PLAY-S, RXO-S

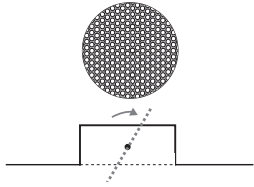


Select Model			
✓	Model	Duct Size	E
	PERFAIR-SCT 2406	6	5 7/8
	PERFAIR-SCT 2408	8	7 7/8
	PERFAIR-SCT 2410	10	9 7/8
	PERFAIR-SCT 2412	12	11 7/8
	PERFAIR-SCT 2414	14	13 7/8
	PERFAIR-SCT 2416	16	15 7/8

All dimensions in inches

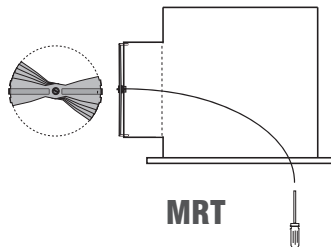


Integrated Air Volume Dampers



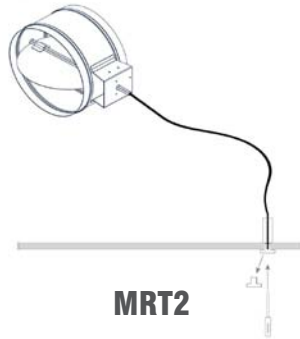
R

Perforated damper +
air equalizer



MRT

Manually operated damper,
cable inside the plenum,
adjustment through face



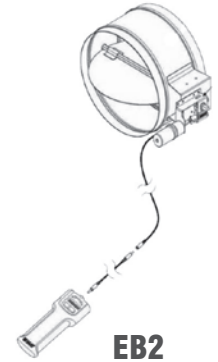
MRT2

Manually operated damper,
cable through drywall with
termination fixture



EB

Battery operated
electro-balance damper
with remote control,
cable through face



EB2

Battery operated
electro-balance damper
with remote control,
cable through drywall
with termination fixture

Insulation	
AL	1/2" Interior Accoustical Liner
R6	2" Exterior R6 Thermal Insulation

Neck-Installed Air Volume Damper	
R	Perforated air volume damper/equalizer (Standard)
MRT	Manually operated, cable thru face
MRT2	Manually operated, termination fixture
EB	Electro-balanced, battery powered, cable thru face
EB2	Electro-balanced, battery powered, termination fixture

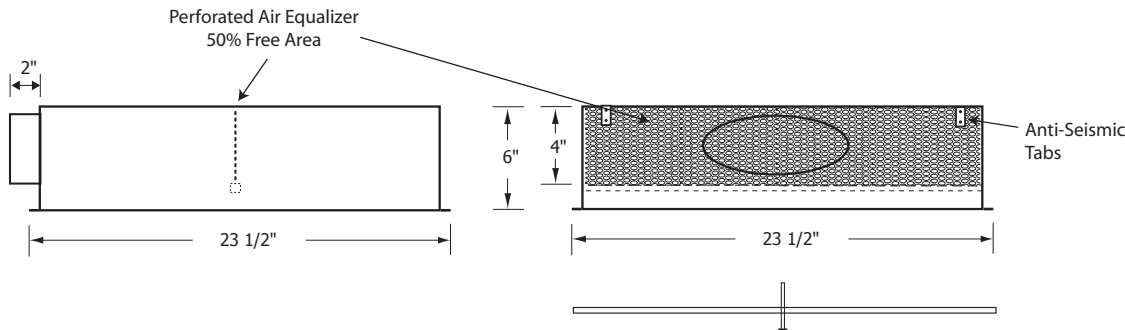
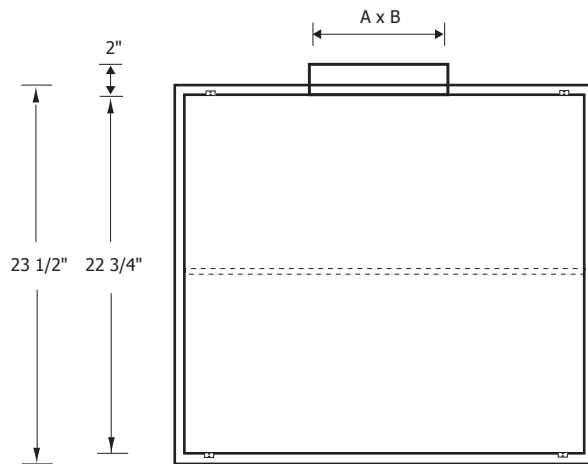
Cable Length (MRT2 or EB2)	

Project:	
Engineer:	
Architect:	
Contractor:	

PERFAIR-XS Series Extra Compact Plenum for Square Diffusers Side Oval Connection

Material | heavy gauge galvanized steel

Matching Faces | AXO-S, AXO-S300, AXO-S400, AXO-SX, AXO-SY,
NEX-S, OTO-S, PLAY-S, RXO-S



Select Model				
✓	Model	Duct Size	A	B
	PERFAIR-XS 2404	4	3 7/8	3 7/8
	PERFAIR-XS 2405	5	4 7/8	4 7/8
	PERFAIR-XS 2406	6	7 9/16	3 1/8
	PERFAIR-XS 2408	8	10 1/2	3 1/4

All dimensions in inches

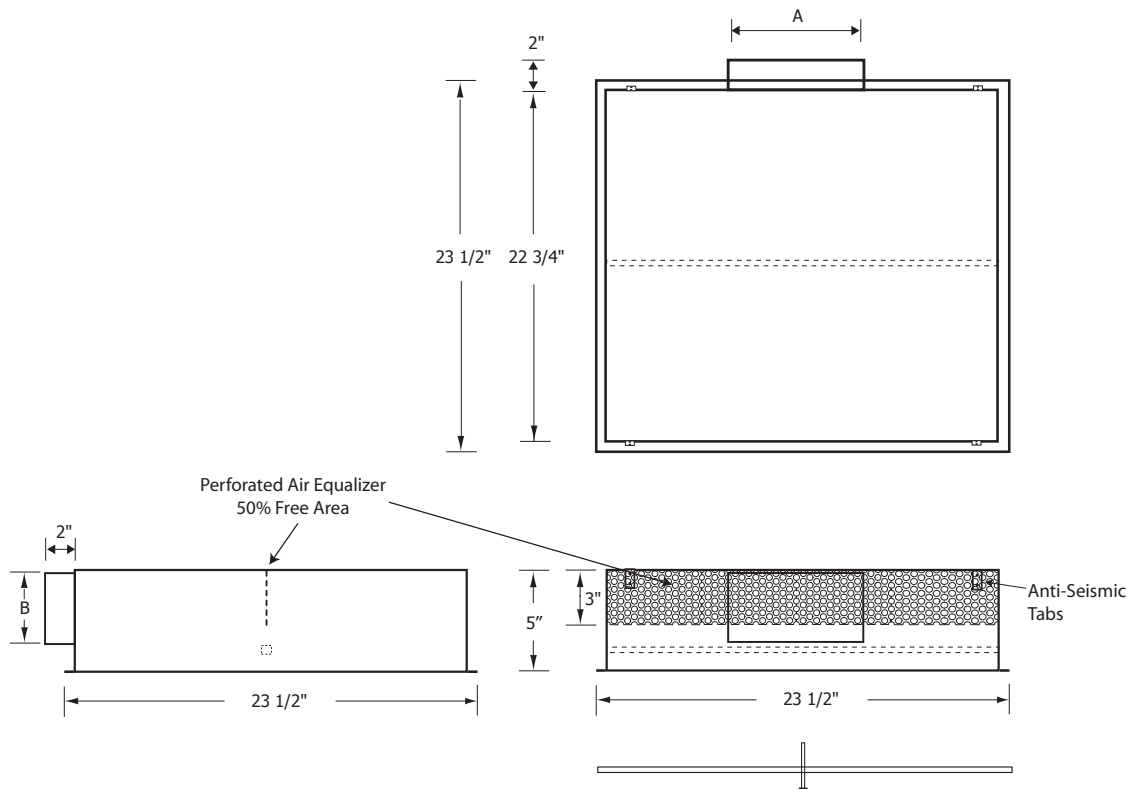
Insulation	
R6	2" Exterior R6 Thermal Insulation

Project:	
Engineer:	
Architect:	
Contractor:	

PERFAIR-XSS Series Extra Compact Plenum for Square Diffusers Side Rectangular Connection

Material | heavy gauge galvanized steel

Matching Faces | AXO-S, AXO-S300, AXO-S400, AXO-SX, AXO-SY, NEX-S, OTO-S, PLAY-S, RXO-S



Select Model				
✓	Model	Duct Size	A	B
	PERFAIR-XS 8 4	8" x 4"	7 7/8"	3 7/8"
	PERFAIR-XS 16 4	16" x 4"	15 7/8"	3 7/8"
	PERFAIR-XS 200 100	200 x 100 mm	200 mm	100 mm
	PERFAIR-XS 400 100	400 x 100 mm	400 mm	100 mm

Insulation	
R6	2" Exterior R6 Thermal Insulation

Project:	
Engineer:	
Architect:	
Contractor:	

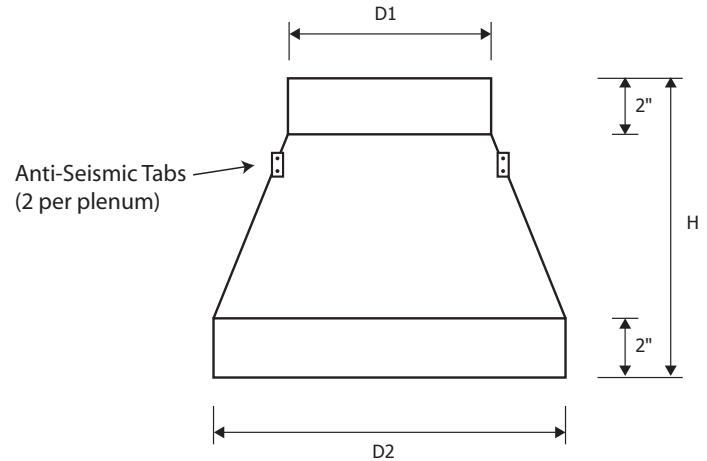
PLRR Series

High Performance Plenum, Round to Round Connection

Material | heavy gauge galvanized steel

Matching Products | AXP, DCG

Select Model					
✓	Model	Duct	D1	D2	H
	PLRR 0504	4	3 7/8	5	6
	PLRR 0505	5	4 7/8	5	6
	PLRR 0605	5	4 7/8	6 3/8	6
	PLRR 0606	6	5 7/8	6 3/8	6
	PLRR 0805	5	4 7/8	8	8
	PLRR 0806	6	5 7/8	8	8
	PLRR 0808	8	7 7/8	8	8
	PLRR 1006	6	5 7/8	10	8
	PLRR 1008	8	7 7/8	10	8
	PLRR 1010	10	9 7/8	10	8
	PLRR 1208	8	7 7/8	12 3/8	10
	PLRR 1210	10	9 7/8	12 3/8	10
	PLRR 1212	10	9 7/8	12 3/8	10



All dimensions in inches (in)

Options	
EQ	Air Equalizing Grid (Perforated Plate)
R	Perforated air volume damper/equalizer
MRT	Manually operated cable damper, cable thru face
MRT2	Manually operated cable damper, drywall fixture
EB	Electro-balanced cable damper, thru face
EB2	Electro-balanced cable damper, drywall fixture
R6	2" Exterior R6 Thermal Insulation

Cable Length (MRT2 or EB2)	

Select Finish	
	Mill Finish
	Other RAL (specify) :

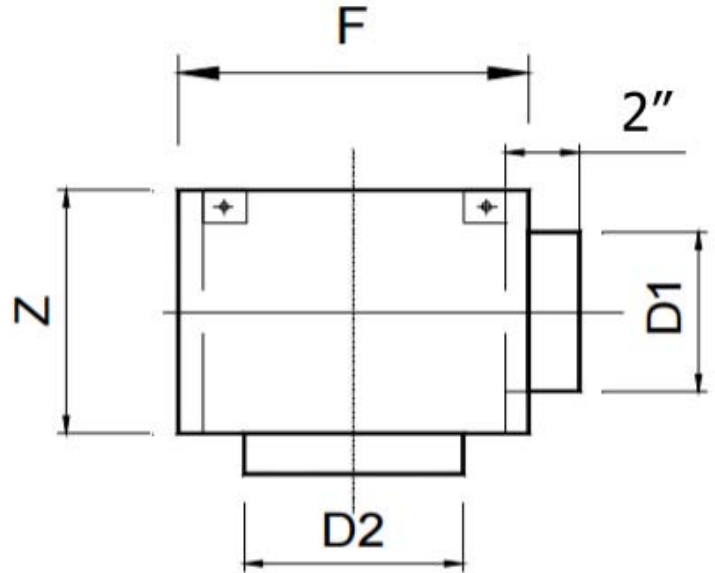
Project:	
Engineer:	
Architect:	
Contractor:	

PLXP Series

High Performance Plenum for Round Diffusers With Integral Neck

Material | heavy gauge galvanized steel

Matching Products | AXP, DCG



Select Model					
✓	Model	D2	F	Z	D1
	PLXP 05	5	8	6	3 7/8"
	PLXP 06	6 19/64"	10	7	4 7/8"
	PLXP 08	8	12	10	5 7/8"
	PLXP 10	10	15	11	7 7/8"
	PLXP 12	12 13/32"	19	14	9 7/8"

All dimensions in inches (in)

Options	
S	Top connection
R	Perforated air volume damper/equalizer
MRT	Manually operated cable damper, cable thru face
MRT2	Manually operated cable damper, drywal fixture
EB	Electro-balanced cable damper, thru face
EB2	Electro-balanced cable damper, drywal fixture
AL	1/2" Interior Accoustical Liner
R6	2" Exterior R6 Thermal Insulation

Cable Length (MRT2 or EB2)	

Select Finish	
	Mill Finish
	Powder Coated (specify RAL) :

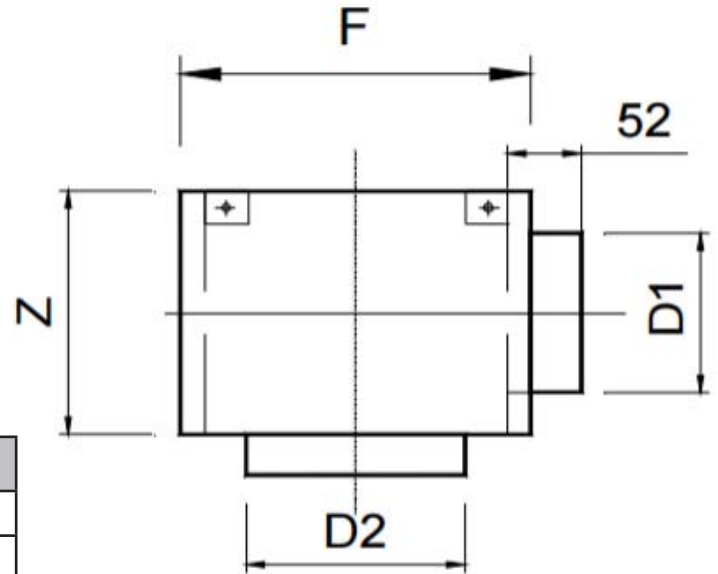
Project:	
Engineer:	
Architect:	
Contractor:	

PLXP Series

High Performance Plenum for Round Diffusers With Integral Neck

Material | heavy gauge galvanized steel

Matching Products | AXP, DCG



Select Model					
✓	Model	D2	F	Z	D1
	PLXP 125	125	200	150	98
	PLXP 160	160	250	175	123
	PLXP 200	200	300	220	158
	PLXP 250	250	380	270	198
	PLXP 315	315	480	335	248

All dimensions in millimeters (mm)

Options	
S	Top connection
R	Perforated air volume damper/equalizer
MRT	Manually operated cable damper, cable thru face
MRT2	Manually operated cable damper, drywal fixture
EB	Electro-balanced cable damper, thru face
EB2	Electro-balanced cable damper, drywal fixture
AL	1/2" Interior Accoustical Liner
R6	2" Exterior R6 Thermal Insulation

Cable Length (MRT2 or EB2)	

Select Finish	
	Mill Finish
	Powder Coated (specify RAL) :

Project:	
Engineer:	
Architect:	
Contractor:	

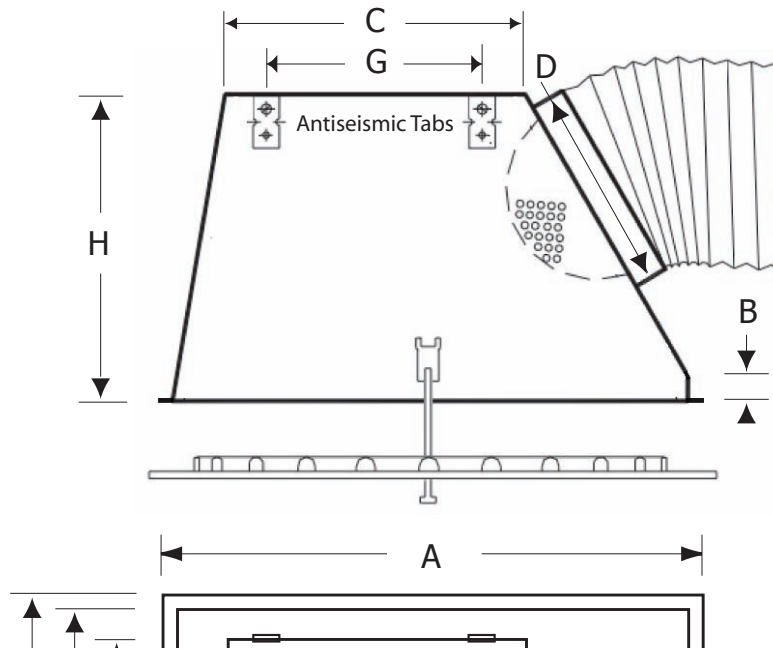
BOXSTAR Series

High Performance Plenum for Square Diffusers (by MADEL®)

Material | heavy gauge galvanized steel.

Accessories | BOXSTAR-R comes with air equalizer + volume damper built-in collar.

Matching Faces | AXO-S, AXO-SX, AXO-SY, AXO-S400, NEX-S, PLAY-S.



Select Model				
✓	Imperial	B	C	E
	BOXSTAR 24	23" 27/64	13" 25/32	9" 3/4
	BOXSTAR-R 12	11" 3/8	9" 27/32	4" 7/8
	BOXSTAR-R 24	23" 27/64	13" 25/32	9" 3/4

Select Model				
✓	Metric	B	C	E
	BOXSTAR 605	590 mm	350 mm	248 mm
	BOXSTAR-R 299	290 mm	250 mm	123 mm
	BOXSTAR-R 605	590 mm	350 mm	248 mm

Project:	
Engineer:	
Architect:	
Contractor:	

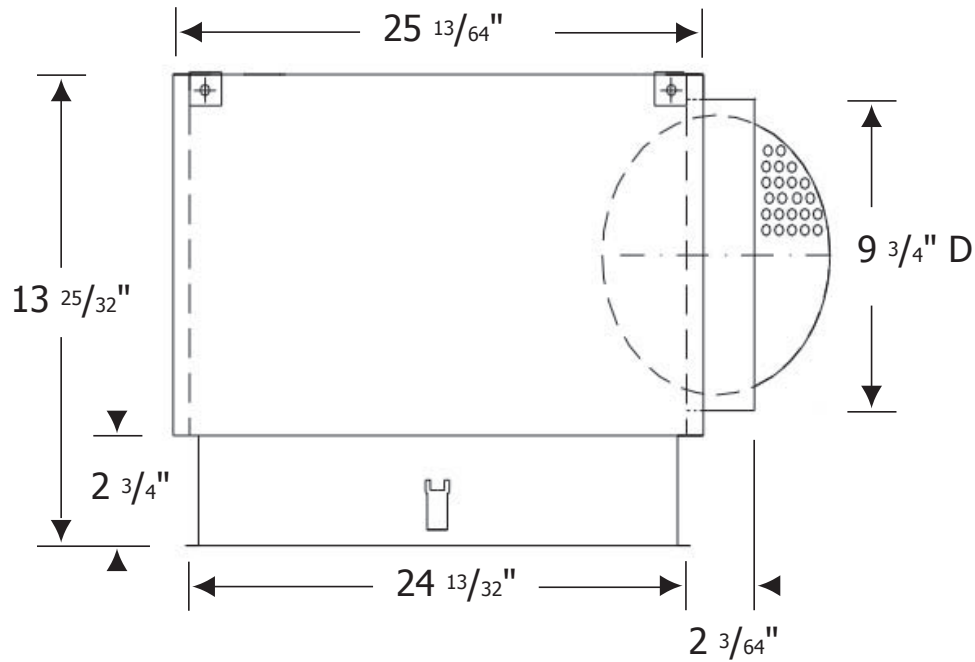
PLXOC Series

High Performance Plenum for Round Diffusers (by MADEL®)

Material | heavy gauge galvanized steel.

Accessories | PLXOC-R comes with air equalizer + volume damper built-in collar.

Matching Faces | AXO-C, AXO-CY, NEX-C, PLAY-C.



Select Model			
✓	Imperial	✓	Metric
	PLXOC-R 25		PLXOC-R 625

Project:	
Engineer:	
Architect:	
Contractor:	

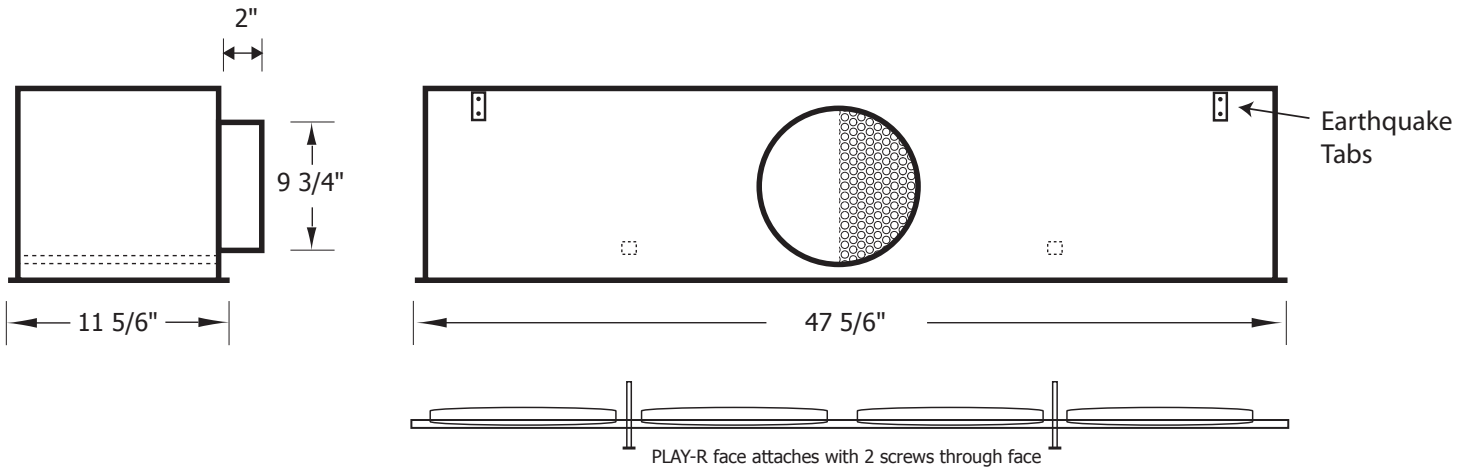
PLXOR Series

High Performance Plenum for Rectangular Diffusers (by MADEL®)

Material | heavy gauge galvanized steel.

Accessories | PLXOR-R comes with air equalizer + volume damper built-in collar.

Matching Faces | PLAY-R.



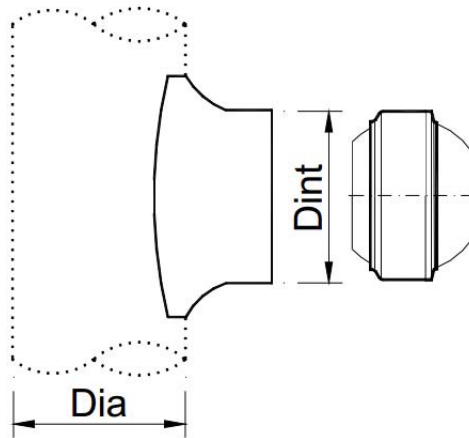
Select Model			
✓	Imperial	✓	Metric
	PLXOR-R 48 12		PLXOR-R 1215 300

Project:	
Engineer:	
Architect:	
Contractor:	

IEH Series

Round Duct Mounting Adaptor for DCG and KAM-D

Material | Galvanized Steel



Select Model			
✓	Model	Dint	Dia
	IEH 125	125	
	IEH 160	160	
	IEH 200	200	
	IEH 250	250	
	IEH 315	315	
	IEH 400	400	

Select Finish	
	Powder Coated White
	Powder Coated Metallic Grey

Project:	
Engineer:	
Architect:	
Contractor:	

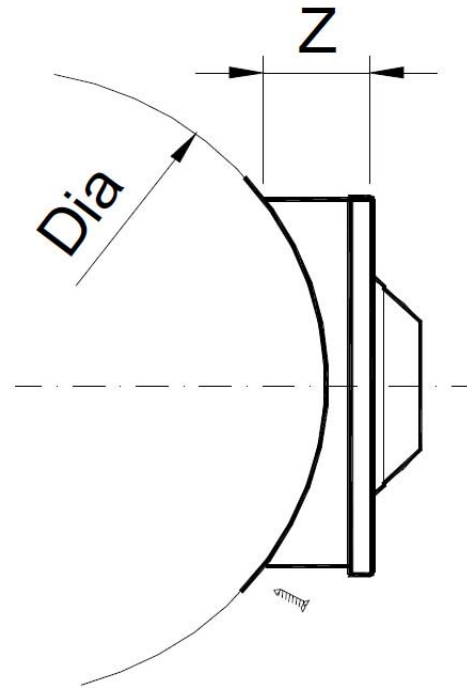
All dimensions in millimeters (mm)

IEK Series Round Duct Mounting Adaptor for KOO

Material | Galvanized Steel

Select Dimension			
✓	KOO Size	Nb Nozzles	Duct Dia
	8 x 4	2 x 1	
	12 x 4	3 x 1	
	16 x 4	4 x 1	
	20 x 4	5 x 1	
	24 x 4	6 x 1	
	28 x 4	7 x 1	
	32 x 4	8 x 1	
	36 x 4	9 x 1	
	40 x 4	10 x 1	
	8 x 8	2 x 2	
	12 x 8	3 x 2	
	16 x 8	4 x 2	
	20 x 8	5 x 2	
	24 x 8	6 x 2	
	28 x 8	7 x 2	
	32 x 8	8 x 2	
	36 x 8	9 x 2	
	40 x 8	10 x 2	
	12 x 6	2 x 1	
	18 x 6	3 x 1	
	24 x 6	4 x 1	
	30 x 6	5 x 1	
	36 x 6	6 x 1	
	42 x 6	7 x 1	
	48 x 6	8 x 1	
	12 x 12	2 x 2	
	18 x 12	3 x 2	
	24 x 12	4 x 2	
	30 x 12	5 x 2	
	36 x 12	6 x 2	
	42 x 12	7 x 2	
	48 x 12	8 x 2	

Select Finish	
<input type="checkbox"/>	Mill Finish
<input type="checkbox"/>	Powder Coated in RAL:



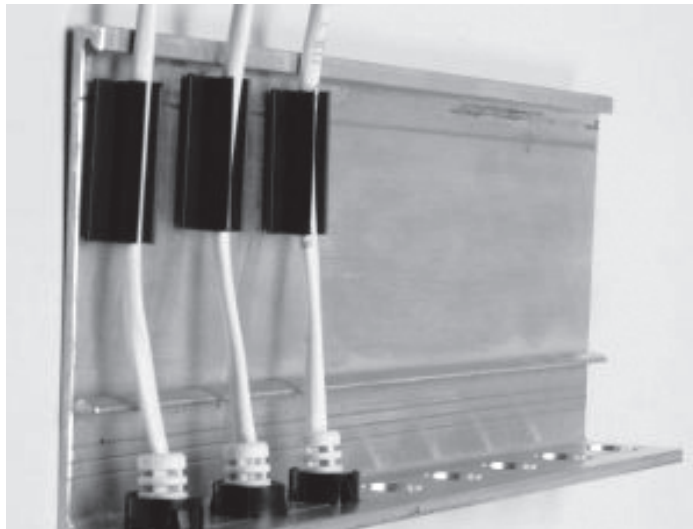
Installation Note: IEK is secured to duct using screws. KOO is secured to IEK using concealed spring clips.

Project:	
Engineer:	
Architect:	
Contractor:	

EB-AB8

Eight Connector Wall Bracket for EB Dampers

Material | Extruded Aluminum



Select Model	
✓	Model
	EB-AB8

Project:	
Engineer:	
Architect:	
Contractor:	

EB-REMOTE

Battery Powered Remote Control for EB Dampers



Select Model	
✓	Model
	EB-REMOTE

Project:	
Engineer:	
Architect:	
Contractor:	

EB-SP Series

Drywall Termination Fixtures for EB Dampers

Material | UL 94-V0 flammability rated white nylon



EB-SP1



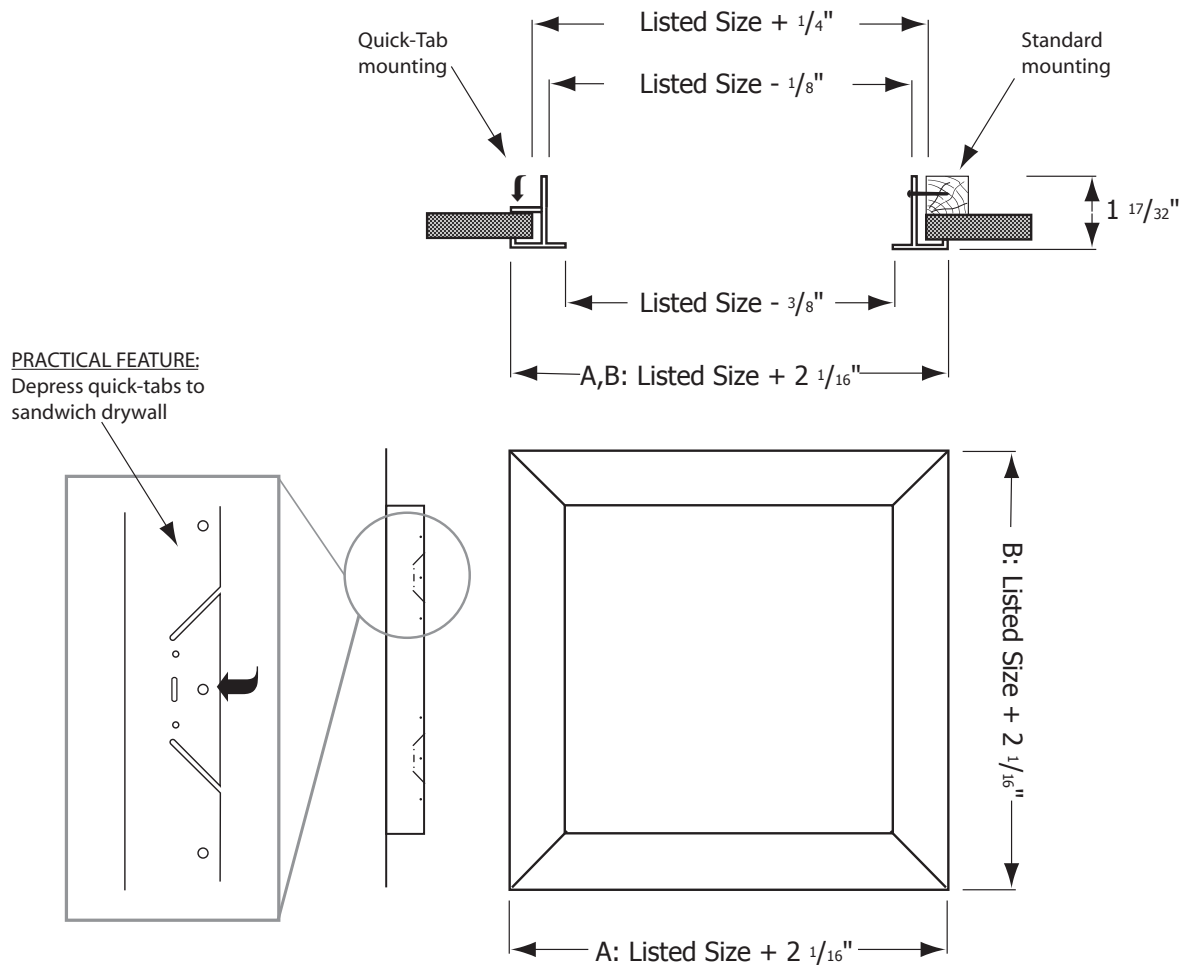
EB-SP8

Select Model		
✓	Model	
	EB-SP1	Single Connector Panel
	EB-SP8	Eight Connector Panel

Project:	
Engineer:	
Architect:	
Contractor:	

PF Plaster Frame - Drywall Frame - for Lay-in Diffusers and Returns

Material | heavy gauge extruded aluminum.



Select Model			
✓	Model	Listed Size A x B	Overall Dim. A x B
	PF 1212	12" x 12"	14 1/16" x 14 1/16"
	PF 2424	24" x 24"	26 1/16" x 26 1/16"
	PF 4812	48" x 12"	50 1/16" x 14 1/16"

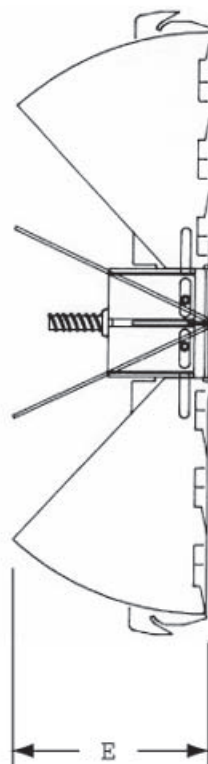
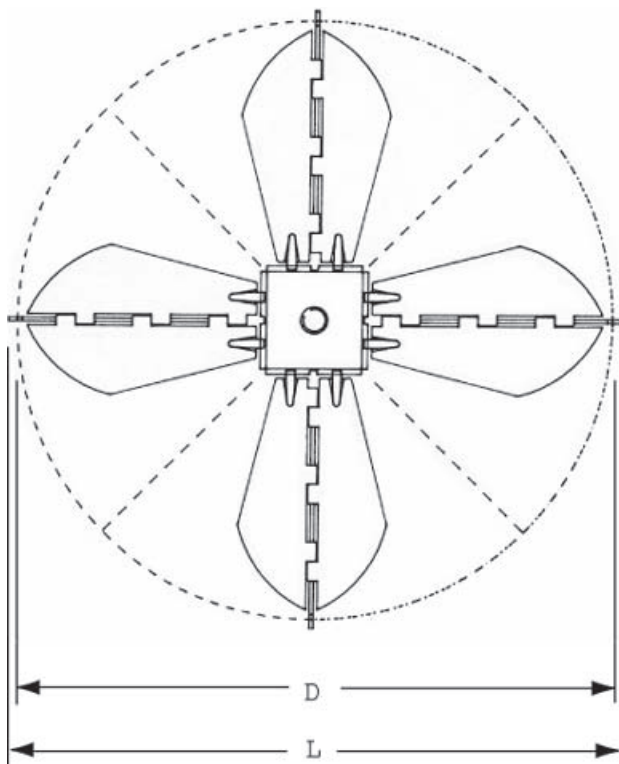
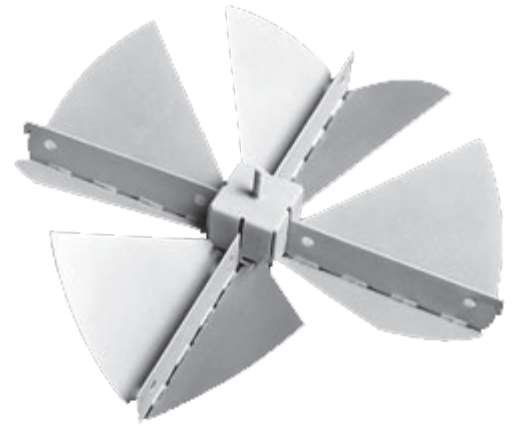
Select Finish	
	Powder Coated White
	Other (specify) :

Project:	
Engineer:	
Architect:	
Contractor:	

OBD Series Radial Opposed Blade Dampers

Material | heavy gauge galvanized steel.

Matching Products | DCG 6" and 12", TWIST 6", 8", 10" and 12".



Vertical operator accepts standard screwdriver for slotted or hex head thru diffuser face.

Installation



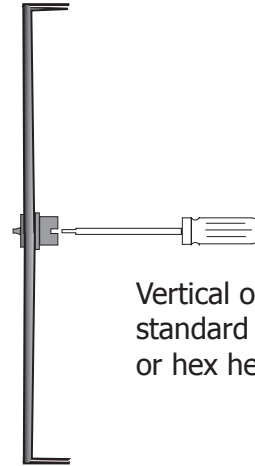
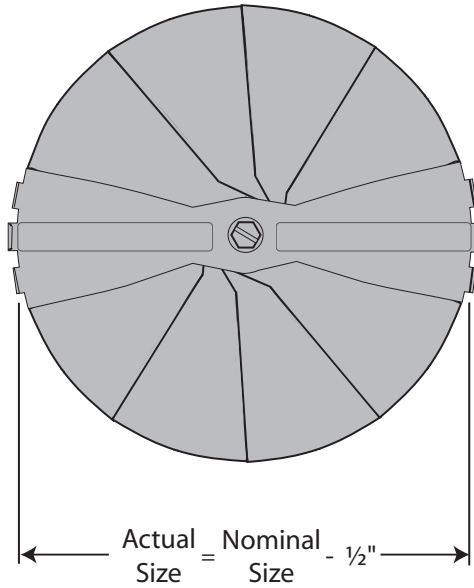
Select Model				
✓	Model	L	D	E
	OBD 06	6"	5 3/4"	2 3/8"
	OBD 08	8"	7 3/4"	3 1/8"
	OBD 10	10"	9 3/4"	3 3/4"
	OBD 12	12"	11 3/4"	4 1/2"

Project:	
Engineer:	
Architect:	
Contractor:	

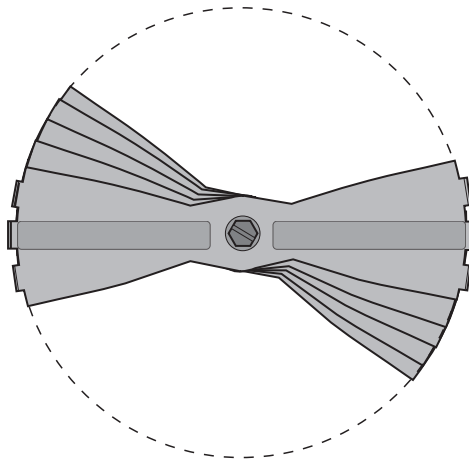
RSBD Series Radial Sliding Blade Dampers

Material | heavy gauge galvanized steel.

Matching Products | DCG 6" and 12", TWIST 6", 8", 10" and 12".



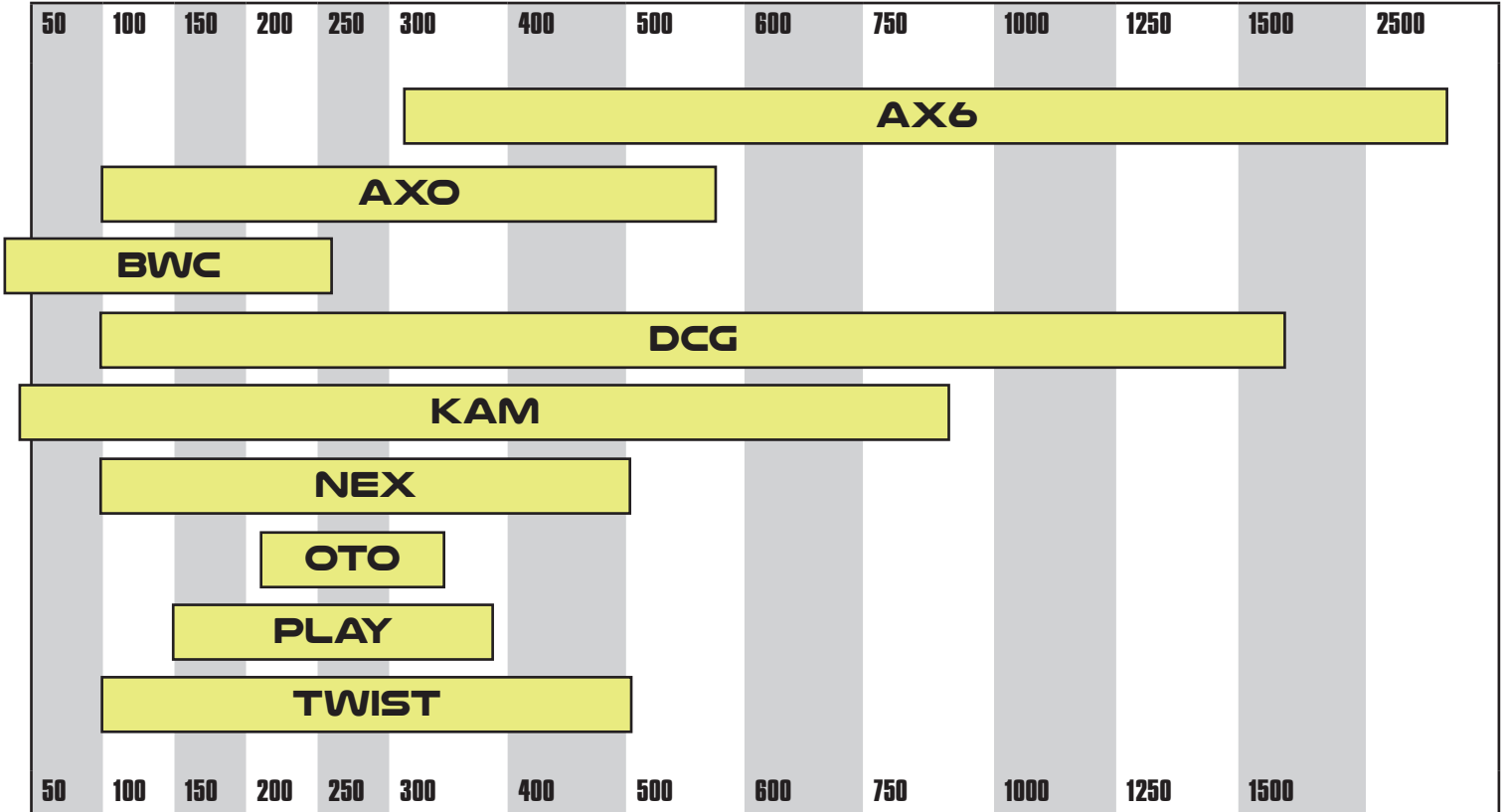
Vertical operator accepts standard screwdriver for slotted or hex head thru diffuser face.



Select Model		
✓	Model	L
	RSBD 06	6"
	RSBD 08	8"
	RSBD 10	10"
	RSBD 12	12"

Project:	
Engineer:	
Architect:	
Contractor:	

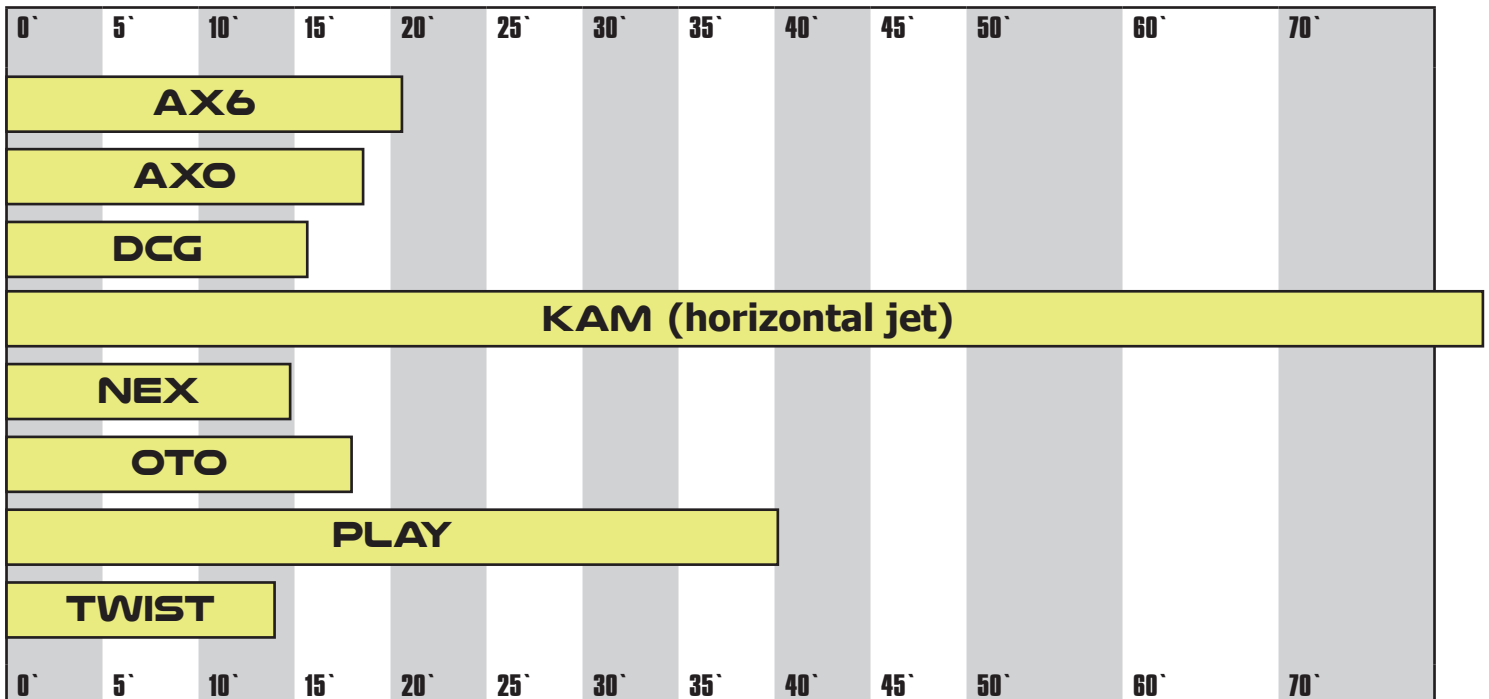
Quick Selection Chart - Ceiling Diffusers / CFM



Selection range combines all shapes and dimensions.

This is a quick selection tool intended to save time choosing the right product. This does not replace complete performance data.

Quick Selection Chart - Ceiling Diffusers / Horizontal Throw

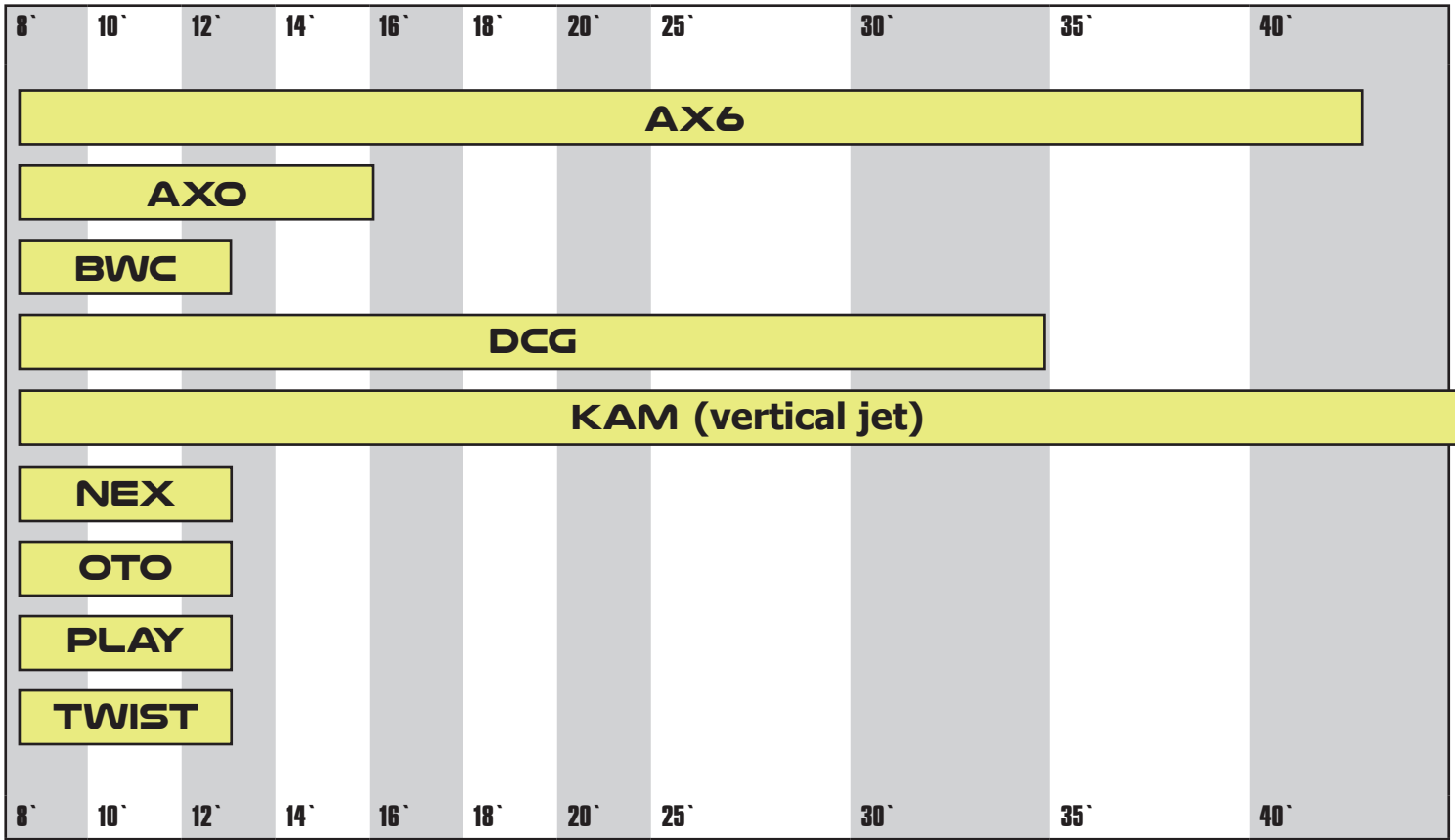


Horizontal throw in feet based on isothermal air and terminal velocity of 50 fpm.

Selection range combines all shapes and dimensions.

This is a quick selection tool intended to save time choosing the right product. This does not replace complete performance data.

Quick Selection Chart - Air Diffusers / Ceiling Height



Vertical ceiling height in feet for comfort zone based on isothermal air and terminal velocity of 50 fpm.

Selection range combines all shapes and dimensions.

This is a quick selection tool intended to save time choosing the right product. This does not replace complete performance data.

Quick Selection Chart - Air Diffusers / Features

Diffuser	Shape			Ceiling Type			Material		Adjustable	Resistance to Duct Angle	Anti-Seismic Tabs
	Square	Round	Rect.	Open	Close	False	Steel	Alum.			
AX6									Vertical		
AXO									V and H		
BWC									Vertical		
DCG									Vertical		
KAM									Vertical		
NEX									-		
OTO									-		
PLAY									Horizontal		
TWIST									-		



ARCHITECTURE - COMFORT - EFFICIENCY

EFFECTIV-HVAC.COM