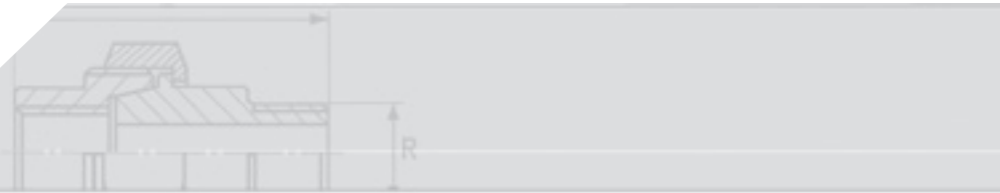




Threaded fittings

Fittings and unions according to ISO 4144



Threaded fittings according to ISO 4144	4-18
NPT-threaded fittings, 150 lbs, acc. to ISO 4144	19
Unions	20-23
Description of the thread types	24-25
Description of ISO 4144	26
Download of 3D models and technical data sheets	26
Short names for threaded fittings	27



Latest news

Technical brochure for threaded fittings

[Refer to the stock levels on our website](#)

Your will find the current stock levels for all of the products in this brochure on our website, you also being able to download datasheets from here as a PDF document and 3D models in Step format. A description of this is on page 30.

heco gmbh is a producer and reseller of stainless steel fittings and valves.

Our products are used in machine and plant manufacturing, as well as in the chemical and food industries. With multiple locations across Europe, we are close to you no matter where you are on the continent.

Remchingen - Berlin - Bielefeld - Frankfurt - Nuremberg
Warschau - Brünn



half socket, seamless

HM.



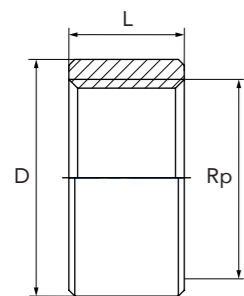
Product description

Short name HM.
half socket, seamless
similar to DIN EN 10241, parallel
female thread acc. to ISO 7-1

Material

1.4307, 14404, 1.4571

Measures and values



Rp	L	D	PN
1/8"	10,0	14,0	100
1/4"	11,0	18,5	100
3/8"	12,0	21,5	100
1/2"	15,0	26,5	100
3/4"	17,0	31,8	100
1"	19,5	39,5	100
1 1/4"	22,0	48,3	64
1 1/2"	22,0	54,5	64
2"	26,0	66,3	64
2 1/2"	30,5	82,0	40
3"	34,0	95,0	40
4"	39,0	122,0	40

socket, seamless

MU.



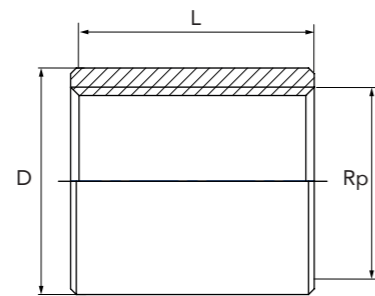
Product description

Short name MU.
socket, seamless
DIN EN 10241, parallel
female thread acc. to ISO 7-1

Material

1.4307, 14404, 1.4571

Measures and values



Rp	L	D	PN
1/8"	17	14,0	100
1/4"	25	18,5	100
3/8"	26	21,5	100
1/2"	34	26,5	100
3/4"	36	31,8	100
1"	43	39,5	100
1 1/4"	48	48,3	64
1 1/2"	48	54,5	64
2"	56	66,3	64
2 1/2"	65	82,0	40
3"	71	95,0	40
4"	83	122,0	40

reducing socket

RM.I



Product description

Short name RM.I
reducing socket
parallel female thread
acc. to ISO 228-1

Material

1.4408

Measures and values

G	G2	L	D
1/4"	1/8"	26	22,0
3/8"	1/8"	28	23,0
	1/4"	29	26,0
1/2"	1/4"	34	29,0
	3/8"	34	29,0
3/4"	3/8"	38	37,0
	1/2"	38	37,0
1"	1/2"	42	40,0
	3/4"	42	40,0
1 1/4"	3/4"	48	50,0
	1"	49	50,0
1 1/2"	3/4"	49	56,5
	1"	53	56,5
	1 1/4"	53	56,5
2"	1"	56	72,0
	1 1/4"	56	72,0
	1 1/2"	59	72,0
2 1/2"	1 1/4"	60	85,0
	1 1/2"	60	85,0
	2"	61	85,0
3"	1 1/2"	62	100,0
	2"	62	100,0
	2 1/2"	62	100,0
4"	2"	65	128,0
	2 1/2"	65	128,0
	3"	65	128,0

more dimensions on our website

Stocks

You will find the current stock levels on our website www.heco.de/en



welding socket

SM.



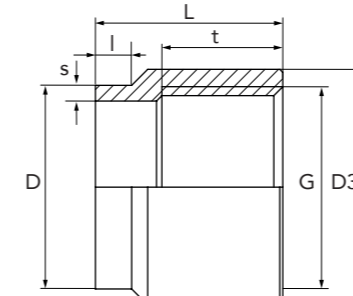
Product description

Short name SM.
welding socket
parallel female thread
acc. to ISO 228-1

Material

1.4404

Measures and values



G	D	s	t	D3	l	L
1/4"	13,5	2,0	12,0	18	5	21
3/8"	17,2	2,0	13,0	21	5	23
1/2"	21,3	2,0	16,0	25	6	27
3/4"	26,9	2,0	17,5	32	6	28
1"	33,7	2,6	20,0	39	6	31
1 1/4"	42,4	2,6	22,5	48	6	34
1 1/2"	48,3	2,6	22,5	55	8	36
2"	60,3	2,6	26,5	65	8	40

Stocks

You will find the current stock levels on our website www.heco.de/en

negative bushing

MN.



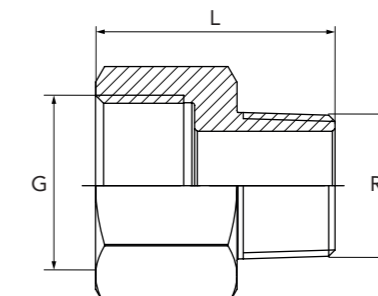
Product description

Short name MN.
negative bushing
parallel female thread
acc. to ISO 228-1

Material

1.4408

Measures and values



G	R	L	SW
1/4"	1/8"	27	17
3/8"	1/8"	29	21
	1/4"	31	21
1/2"	1/8"	33	26
	1/4"	34	26
	3/8"	35	26
3/4"	1/8"	34	32
	1/4"	35	32
	3/8"	36	32
	1/2"	39	32
1"	1/8"	37	38
	1/4"	38	38

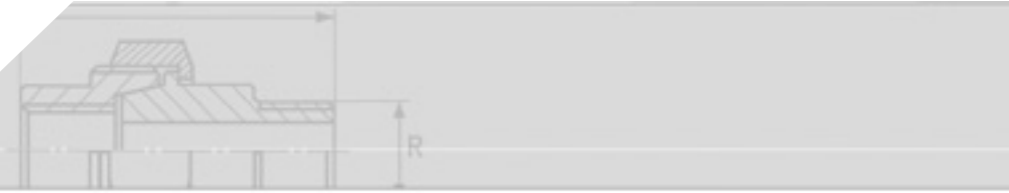
Measures and values

G	R	L	SW
	3/8"	39	38
	1/2"	41	38
	3/4"	44	38
1 1/4"	1/4"	40	50
	3/8"	40	50
	1/2"	43	50
	3/4"	45	50
	1"	47	50
1 1/2"	1/4"	41	54
	3/8"	42	54
	1/2"	45	54
	3/4"	45	54
	1"	48	54
	1 1/4"	50	54
2"	1/4"	45	68
	3/8"	47	68
	1/2"	49	68
	3/4"	51	68
	1"	51	68
	1 1/4"	53	68
	1 1/2"	54	68

socket, special length

You will find sockets with special length on our website www.heco.de/en





welding nipple AN.

barrel nipple DN.

parallel nipple NI.



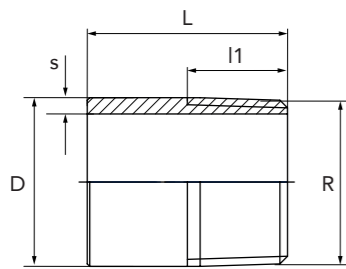
Product description

Short name AN.
welding nipple EN 10241
manufactured from pipe
conical male thread acc. to ISO 7-1

Material

14307, 1.4404, 1.4571

Measures and values



R	D	s	L	I1	PN
1/8"	10,2	2,00	30	8,0	100
1/4"	13,5	2,35	30	11,0	100
3/8"	17,2	2,35	30	12,0	100
1/2"	21,3	2,65	35	15,0	100
3/4"	26,9	2,65	40	17,0	100
1"	33,7	3,25	40	20,0	100
1 1/4"	42,4	3,25	50	22,0	64
1 1/2"	48,3	3,25	50	22,0	64
2"	60,3	3,65	50	26,0	64
2 1/2"	76,1	3,65	60	28,0	40
3"	88,9	4,05	65	35,0	40
4"	113,3	4,00	80	42,0	40

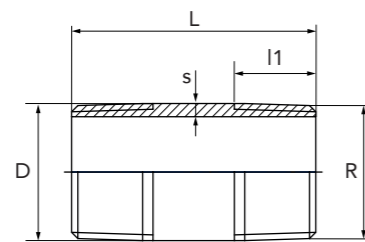
Product description

Short name DN.
barrel nipple EN 10241
manufactured from pipe
conical male thread acc. to ISO 7-1

Material

14307, 1.4404, 1.4571

Measures and values



R	L	I1	D	s	PN
1/8"	40	8,0	10,2	2,00	100
1/4"	40	11,0	13,5	2,35	100
3/8"	40	12,0	17,2	2,35	100
1/2"	60	15,0	21,3	2,65	100
3/4"	60	17,0	26,9	2,65	100
1"	60	20,0	33,7	3,25	100
1 1/4"	80	22,0	42,4	3,25	64
1 1/2"	80	22,0	48,3	3,25	64
2"	100	26,0	60,3	3,65	64
2 1/2"	100	28,0	76,1	3,65	40
3"	120	35,0	88,9	4,05	40
4"	150	42,0	114,3	4,00	40

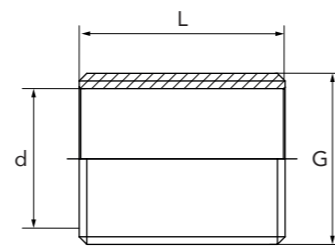
Product description

Short name NI.
parallel nipple EN 10241
parallel male thread
acc. to ISO 228-1

Material

1.4571

Measures and values



DN	G	L	d
6	1/8"	16	6,2
8	1/4"	18	8,9
10	3/8"	22	12,6
15	1/2"	25	16,1
20	3/4"	30	21,7
25	1"	35	27,3
32	1 1/4"	38	36,0
40	1 1/2"	38	41,9
50	2"	45	53,1
65	2 1/2"	55	68,9
80	3"	60	80,9

Stocks

You will find the current stock levels on our website www.heco.de/en



welding nipple, special length AN.SL

barrel nipple, special length DN.SL



Product description

Short name AN.SL
welding nipple
conical male thread
acc. to ISO 7-1

Material

1.4404, 1.4571

Measures and values

Product description

Short name DN.SL
barrel nipple
conical male thread
acc. to ISO 7-1

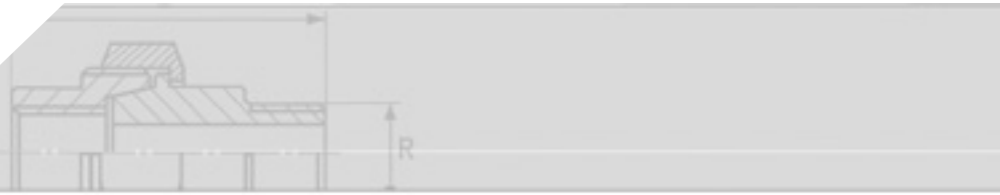
Material

1.4404, 1.4571

Measures and values

length	R 1/8"	R 1/4"	R 3/8"	R 1/2"	R 3/4"	R 1"	R 1 1/4"	R 1 1/2"	R 2"	R 2 1/2"	R 3"	R 4"
20	○▽	○▽	●▽	●▽	●▽	○▽	○▽	○▽	○▽	○▽	○▽	○▽
25	○▽	○▽	○▽	○▽	●▽	●▽	●▽	○▽	○▽	○▽	○▽	○▽
30	○▽	○▽	○▽	○▽	●▽	●▽	○▽	○▽	●▽	○▽	○▽	○▽
40	○▽	○▽	○▽	○▽	○▽	○▽	○▽	○▽	○▽	○▽	○▽	○▽
50	○▽	○▽	○▽	●▽	●▽	●▽	○▽	○▽	○▽	○▽	○▽	○▽
60	○▽	○▽	○▽	○▽	●▽	●▽	○▽	○▽	●▽	○▽	○▽	○▽
70	○▽	○▽	○▽	●▽	○▽	○▽	○▽	○▽	○▽	○▽	○▽	○▽
80	○▽	○▽	●▽	●▽	●▽	●▽	●▽	●▽	●▽	○▽	○▽	○▽
90	○▽	○▽	○▽	○▽	○▽	○▽	○▽	○▽	○▽	○▽	○▽	○▽
100	○▽	○▽	○▽	●▽	●▽	●▽	●▽	●▽	●▽	●▽	●▽	○▽
110	○▽	○▽	○▽	○▽	○▽	○▽	○▽	○▽	○▽	○▽	○▽	○▽
120	○▽	○▽	○▽	○▽	○▽	●▽	○▽	○▽	●▽	○▽	○▽	○▽
130	○▽	○▽	○▽	○▽	○▽	○▽	○▽	○▽	○▽	○▽	○▽	○▽
140	○▽	○▽	○▽	○▽	○▽	○▽	○▽	○▽	○▽	○▽	○▽	○▽
150	○▽	○▽	○▽	○▽	○▽	○▽	●▽	○▽	○▽	○▽	○▽	○▽
160	○▽	○▽	○▽	○▽	○▽	○▽	○▽	○▽	○▽	○▽	○▽	○▽
170	○▽	○▽	○▽	○▽	○▽	○▽	○▽	○▽	○▽	○▽	○▽	○▽
180	○▽	○▽	○▽	○▽	○▽	○▽	○▽	○▽	○▽	○▽	○▽	○▽
190	○▽	○▽	○▽	○▽	○▽	○▽	○▽	○▽	○▽	○▽	○▽	○▽
200	○▽	○▽	○▽	○▽	○▽	○▽	○▽	○▽	○▽	○▽	○▽	○▽
210	○▽	○▽	○▽	○▽	○▽	○▽	○▽	○▽	○▽	○▽	○▽	○▽
220	○▽	○▽	○▽	○▽	○▽	○▽	○▽	○▽	○▽	○▽	○▽	○▽
230	○▽	○▽	○▽	○▽	○▽	○▽	○▽	○▽	○▽	○▽	○▽	○▽
240	○▽	○▽	○▽	○▽	○▽	○▽	○▽	○▽	○▽	○▽	○▽	○▽
250	○▽	○▽	○▽	○▽	○▽	○▽	○▽	○▽	○▽	○▽	○▽	○▽
260	○▽	○▽	○▽	○▽	○▽	○▽	○▽	○▽	○▽	○▽	○▽	○▽
270	○▽	○▽	○▽	○▽	○▽	○▽	○▽	○▽	○▽	○▽	○▽	○▽
280	○▽	○▽	○▽	○▽	○▽	○▽	○▽	○▽	○▽	○▽	○▽	○▽
290	○▽	○▽	○▽	○▽	○▽	○▽	○▽	○▽	○▽	○▽	○▽	○▽
300	○▽	○▽	○▽	○▽	○▽	○▽	○▽	○▽	○▽	○▽	○▽	○▽

● AN.SL – in stock ○ AN.SL – on request ▼ DN.SL – in stock ▽ DN.SL – on request



welding hose nipple

SN.

threaded hose nipple

GN.

hexagon hose nozzle

TU.



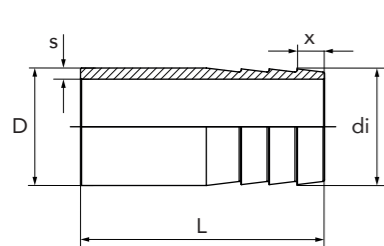
Product description

Short name SN.
welding hose nipple

Material

1.4404, 1.4571

Measures and values



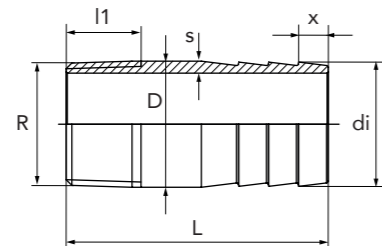
Product description

Short name GN.
threaded hose nipple
conical male thread
acc. to ISO 7-1

Material

1.4404, 1.4571

Measures and values



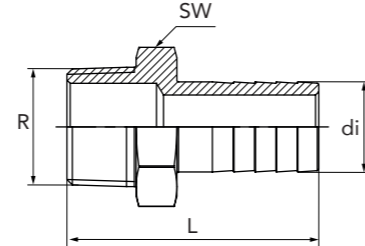
Product description

Short name TU.
hexagon hose nozzle
conical male thread
acc. to ISO 7-1

Material

1.4408

Measures and values



DN	di	D	L	s	X (mm)
9	9,4	10,2	35	2,0	4x 4
1/8"	10,0	10,2	40	2,0	3x 6
1/4"	13,3	13,5	40	2,3	3x 6
3/8"	16,8	17,2	50	2,3	3x 6
1/2"	19,5	21,3	45	2,6	3x 6
3/4"	20,8	21,3	70	2,6	3x 8
1"	25,5	26,9	55	2,6	3x 7
1 1/4"	26,4	26,9	70	2,6	3x 8
1 1/2"	33,2	33,7	70	3,2	3x 8
2"	38,6	38,6	60	4,0	4x 8
2 1/2"	41,9	42,4	70	3,2	3x 8
3"	48,0	48,3	70	3,2	4x 8

R	di	D	L	l1	s	X (mm)
1/8"	10,0	10,2	70	8	2,0	3x 6
1/4"	13,3	13,5	70	11	2,3	3x 6
3/8"	16,8	17,2	70	12	2,3	3x 6
1/2"	20,8	21,3	70	15	2,6	3x 8
3/4"	26,4	26,3	70	17	2,6	3x 8
1"	33,2	33,7	70	17	3,2	3x 8
1 1/4"	41,9	42,4	70	22	3,2	3x 8
1 1/2"	47,8	48,3	100	22	3,2	4x 8
2"	59,8	60,3	100	26	3,6	4x 8
2 1/2"	75,6	76,1	120	32	3,6	4x 8
3"	88,4	88,9	120	35	4,0	4x 10

R	di	L	SW
1/8"	6,3	45	13,0
1/4"	9,0	47	16,5
3/8"	12,7	55	20,0
1/2"	12,7	64	23,5
1/2"	19,0	64	23,5
3/4"	12,7	68	23,5
3/4"	19,0	68	23,5
1"	19,0	71	38,5
1"	25,4	71	38,5
1 1/4"	33,0	80	46,0
1 1/2"	39,5	95	52,0
2"	50,8	105	62,0

more dimensions on our website

Stocks

You will find the current stock levels on our website www.heco.de/en



hexagon hose nozzle

TU.228

hose nozzle with loose nut

TULU

hose nozzle with female thread

TUMU



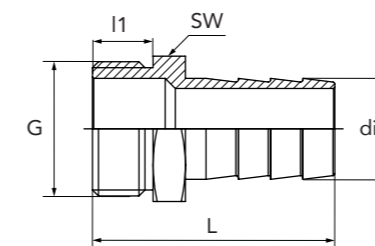
Product description

Short name TU.228
hexagon hose nozzle
parallel male thread
acc. to ISO 228-1

Material

1.4571

Measures and values



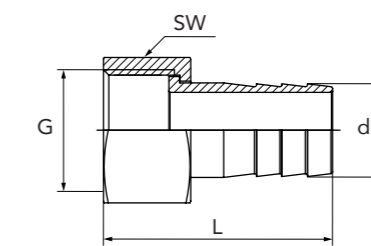
Product description

Short name TULU
hose nozzle with loose nut, flat seat
parallel female thread acc. to
ISO 228-1

Material

1.4571

Measures and values



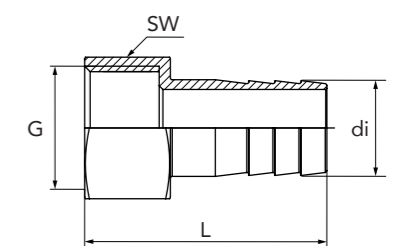
Product description

Short name TUMU
hose nozzle with female thread
parallel female thread acc. to
ISO 228-1

Material

1.4408

Measures and values



G	di	l1	L	SW
1/8"	6	8	36	14
1/4"	9	10	40	17
3/8"	9	10	45	22
1/2"	11	12	50	27
1/2"	16	12	50	27
3/4"	13	14	55	32
3/4"	19	14	55	32
1"	19	16	60	36
1"	25	16	60	36
1 1/4"	32	20	75	46
1 1/2"	38	22	80	55
2"	50	22	85	65

more dimensions on our website

G	di	L	SW
1/4"	9	31	17
3/8"	9	40	22
1/2"	11	43	27
1/2"	16	43	27
3/4"	13	45	32
3/4"	19	45	32
1"	19	45	41
1"	25	45	41
1 1/4"	32	52	50
1 1/2"	38	62	55
2"	50	65	70

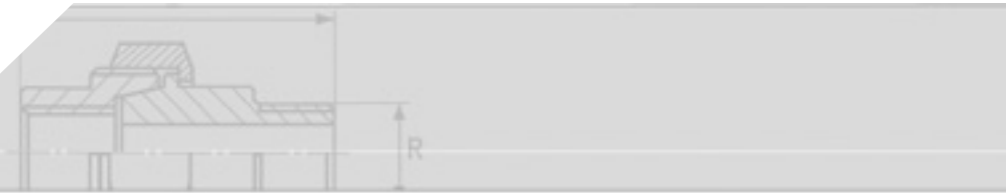
more dimensions on our website

G	di	L	SW
1/4"	9,0	42	19
3/8"	9,5	53	22
1/2"	12,7	62	27
1/2"	14,0	62	27
3/4"	19,0	63	32
3/4"	20,5	63	32
1"	25,4	66	32
1"	27,0	66	38
1 1/4"	31,8	74	50
1 1/2"	38,1	87	55
2"	50,8	94	6,7

more dimensions on our website

Stocks

You will find the current stock levels on our website www.heco.de/en



hexagon nipple parallel thread DN.Z

hexagon nipple DN6.I

reducing nipple RN.I



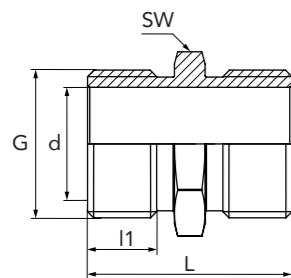
Product description

Short name DN.Z
hexagon nipple
parallel male thread
acc. to ISO 228-1

Material

1.4408

Measures and values



G	L	l1	d	SW
1/8"	24	7	4,3	12
1/4"	27	8	7,0	16
3/8"	28	8	9,4	19
1/2"	35	10	13,7	21
3/4"	40	11	19,0	30
1"	46	14	25,5	36
1 1/4"	52	17	32,0	46
1 1/2"	54	18	38,5	50
2"	62	20	50,2	64

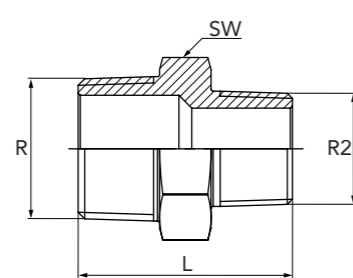
Product description

Short name DN6.I
hexagon nipple
conical male thread
acc. to ISO 7-1

Material

1.4408

Measures and values



R	L	SW
1/8"	24	12
1/4"	28	16
3/8"	28	19
1/2"	34	22
3/4"	40	30
1"	46	36
1 1/4"	53	46
1 1/2"	54	50
2"	62	64
2 1/2"	70	80
3"	78	90
4"	94	120

Measures and values

R	R2	L	SW
1/4"	1/8"	26	16
3/8"	1/8"	26	18
	1/4"	29	18
1/2"	1/8"	34	26
	1/4"	32	24
	3/8"	33	24
3/4"	1/8"	37	30
	1/4"	37	30
	3/8"	35	30
	1/2"	38	30
1"	1/4"	39	35
	3/8"	40	35
	1/2"	41	35
	3/4"	42	36
1 1/4"	1/2"	48	46
	3/4"	46	46
	1"	48	46
1 1/2"	1/2"	49	50
	3/4"	53	50
	1"	48	50
	1 1/4"	51	50
2"	1/2"	52	63
	3/4"	56	63
	1"	57	63
	1 1/4"	56	64
	1 1/2"	58	65
2 1/2"	1"	63	80
	1 1/2"	66	80
	2"	62	80
3"	1 1/2"	72	95
	2"	66	95
	2 1/2"	68	95
4"	2"	82	125
	2 1/2"	82	125
	3"	77	119

Stocks

You will find the current stock levels on our website www.heco.de/en



elbow with wall plate DW.

bend GK.

elbow 90° M/M WI.AA



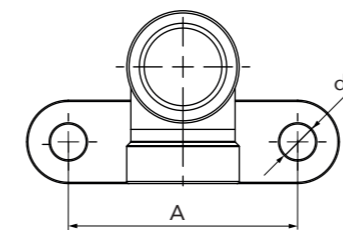
Produktbeschreibung

Short name DW.
elbow with wall plate
parallel female thread
acc. to ISO 228-1

Material

1.4408

Measures and values



angle	G	A	d
45°	1/2"	55	8,6
60°	1/2"	55	8,6
75°	1/2"	55	8,6
90°	1/2"	55	8,6

Stocks

You will find the current stock levels on our website www.heco.de/en

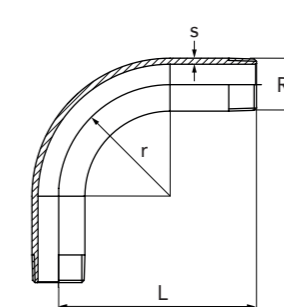
Product description

Short name GK.
bend 90°
conical male thread
acc. to ISO 7-1

Material

1.4404

Measures and values



R	D	L	s	r
1/8"	10,2	50	2,0	30
1/4"	13,5	60	2,6	40
3/8"	17,2	70	3,2	45
1/2"	21,3	95	3,2	55
3/4"	26,9	113	3,2	70
1"	33,7	126	3,6	80
1 1/4"	42,4	170	4,0	105
1 1/2"	48,3	160	4,0	115
2"	60,3	223	4,5	125

Stocks

You will find the current stock levels on our website www.heco.de/en

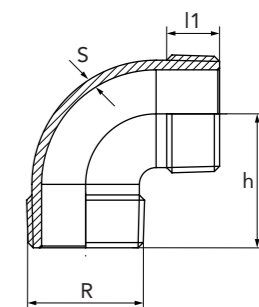
Product description

Short name WI.AA
elbow 90°
conical male thread
acc. to ISO 7-1

Material

1.4408

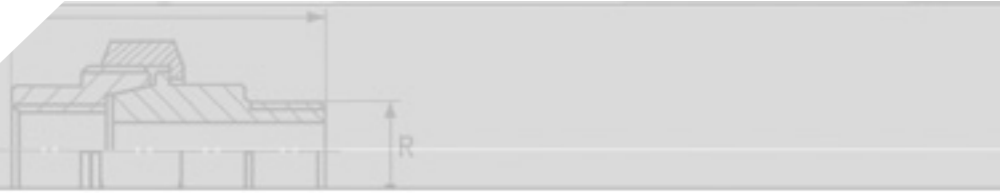
Measures and values



R	l1	s	h
1/4"	9	1,8	20
3/8"	10	1,8	23
1/2"	11	1,8	27
3/4"	12	2,0	31
1"	15	2,0	38
1 1/4"	17	2,0	44
1 1/2"	18	2,2	48
2"	20	2,4	56

Stocks

You will find the current stock levels on our website www.heco.de/en



elbow 90° F/F WI.II

reducing elbow RW.I



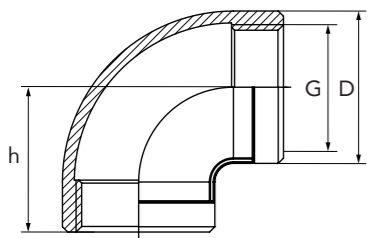
Product description

Short name WI.II
elbow 90°
parallel female thread
acc. to ISO 228-1

Material

1.4408

Measures and values



G	D	h
1/8"	17,0	19,0
1/4"	21,3	21,0
3/8"	22,5	24,0
1/2"	27,5	27,0
3/4"	33,0	31,0
1"	41,0	38,0
1 1/4"	50,0	45,0
1 1/2"	56,5	50,0
2"	70,0	57,0
2 1/2"	87,0	69,7
3"	99,5	77,0
4"	126,0	98,2

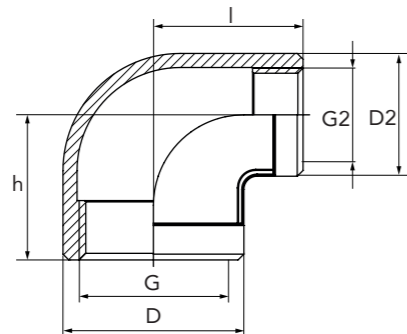
Product description

Short name RW.I
reducing elbow 90°
parallel female thread
acc. to ISO 228-1

Material

1.4408

Measures and values



G	G2	D	D2	h	I
1/4"	1/8"	19,0	15,5	18,5	18,5
3/8"	1/8"	22,5	15,5	20,5	22,5
1/4"	1/4"	22,5	19,0	19,5	20,5
1/2"	1/8"	27,5	15,5	24,5	24,5
1/4"	1/4"	27,5	19,0	22,5	23,5
3/8"	3/8"	27,5	22,5	26,5	25,5
3/4"	1/4"	33,0	19,0	28,5	28,5
3/8"	3/8"	33,0	22,5	29,5	30,5
1/2"	1/2"	33,0	27,5	31,0	31,0
1"	1/4"	40,5	19,0	30,5	32,0
3/8"	3/8"	40,5	22,5	34,5	35,5
1/2"	1/2"	40,5	27,5	28,5	30,5

Measures and values

G	G2	D	D2	h	I
1"	3/4"	40,5	33,0	35,0	36,0
1 1/4"	3/8"	50,0	22,5	38,5	40,5
1/2"	1/2"	50,0	27,5	34,0	36,5
3/4"	3/4"	50,0	33,0	36,5	38,5
1"	1"	50,0	40,5	40,5	42,5
1 1/2"	3/8"	56,5	22,5	38,5	43,5
1/2"	1/2"	56,5	27,5	34,0	40,0
3/4"	3/4"	56,5	33,0	38,5	51,0
1"	1"	56,5	40,5	41,5	45,5
1 1/4"	1 1/4"	56,5	50,0	45,5	48,5
2"	3/4"	70,0	33,0	44,0	52,5
1"	1"	70,0	40,5	46,5	53,5
1 1/4"	1 1/4"	70,0	50,0	52,5	55,5
1 1/2"	1 1/2"	70,0	56,5	48,5	54,5

high pressure-fittings

You will find high pressure-fittings on our website www.heco.de/en



Stocks

You will find the current stock levels on our website www.heco.de/en



elbow 90° F/M WI.IA

elbow 45° F/F WI.45

elbow 45° F/M WI.45A



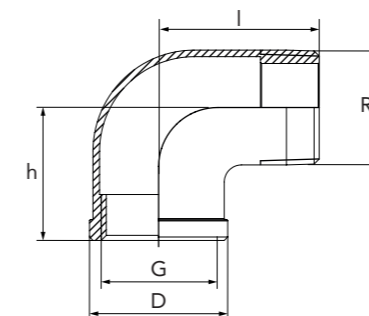
Product description

Short name WI.IA
elbow 90°
parallel female thread
acc. to ISO 228-1

Material

1.4408

Measures and values



G	D	I	h
1/8"	15,5	27	18
1/4"	19,0	28	20
3/8"	22,5	30	24
1/2"	27,0	36	28
3/4"	33,0	40	33
1"	40,0	46	39
1 1/4"	50,0	54	46
1 1/2"	56,5	57	49
2"	69,0	70	58
2 1/2"	87,0	84	70
3"	100,0	95	79
4"	128,0	117	98

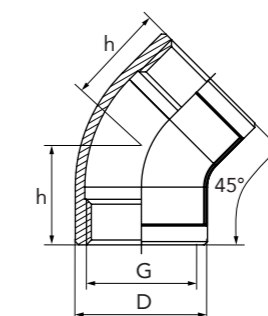
Product description

Short name WI.45
elbow 45°
parallel female thread
acc. to ISO 228-1

Material

1.4408

Measures and values



G	D	h
1/8"	18,0	18,0
1/4"	19,0	17,0
3/8"	25,0	20,0
1/2"	27,0	21,5
3/4"	33,0	25,5
1"	40,0	29,5
1 1/4"	50,0	33,5
1 1/2"	56,5	37,5
2"	69,0	42,5
2 1/2"	87,0	50,0
3"	100,0	55,0
4"	125,5	64,0

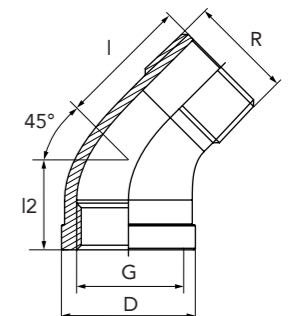
Product description

Short name WI.45A
elbow 45°
parallel female thread
acc. to ISO 228-1

Material

1.4408

Measures and values



G	D	I	I2
1/8"	17,0	21	16
1/4"	21,0	23	17
3/8"	25,0	27	19
1/2"	29,0	31	21
3/4"	35,0	36	25
1"	43,0	42	29
1 1/4"	52,0	45	34
1 1/2"	58,0	51	37
2"	71,0	59	42
2 1/2"	88,0	71	49
3"	101,0	79	54
4"	129,0	96	65

Stocks

You will find the current stock levels on our website www.heco.de/en



tee TS.I



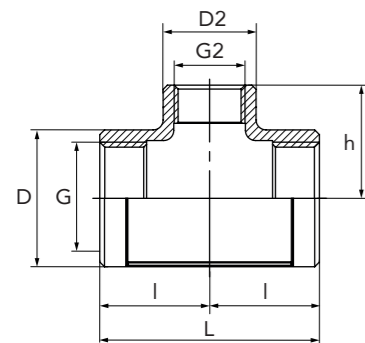
Product description

Short name TS.I
tee
parallel female thread
acc. to ISO 228-1

Material

1.4408

Measures and values



G	D	I	L
1/8"	17,0	19,0	38,0
1/4"	19,0	19,5	39,0
3/8"	23,0	23,6	47,2
1/2"	28,0	28,0	56,0
3/4"	33,0	33,0	65,0
1"	41,0	38,5	77,0
1 1/4"	50,0	45,0	90,0
1 1/2"	56,0	48,5	97,0
2"	70,0	58,0	116,0
2 1/2"	87,0	70,0	140,0
3"	100,0	78,5	157,0
4"	125,0	97,0	194,0

reducing tee RT.I



Product description

Short name RT.I
reducing tee
parallel female thread
acc. to ISO 228-1

Material

1.4408

Measures and values

G	G2	D	D2	h	I
1/4"	1/8"	21,0	17,0	19,0	18,0
3/8"	1/8"	23,0	17,0	21,0	19,0
	1/4"	23,0	19,0	22,0	20,0
1/2"	1/8"	29,0	17,0	23,0	22,0
	1/4"	29,0	21,0	24,0	24,0
	3/8"	29,0	23,0	25,0	26,0
3/4"	1/4"	33,0	19,0	28,0	26,5
	3/8"	33,0	23,0	28,0	28,0
	1/2"	33,0	27,5	32,0	30,0
1"	1/4"	41,0	19,0	30,0	31,0
	3/8"	41,0	23,0	31,0	30,0
	1/2"	41,0	29,0	35,0	32,5
	3/4"	41,0	33,0	37,0	35,0
1 1/4"	3/8"	50,0	23,0	36,0	32,0
	1/2"	50,0	29,0	38,0	36,0
	3/4"	50,0	33,0	40,0	38,0
1"	1"	50,0	41,0	42,0	40,0
1 1/2"	3/8"	57,9	23,0	40,0	34,0
	1/2"	57,9	29,0	42,0	35,0
	3/4"	57,9	33,0	43,0	38,0
1"	1"	57,9	44,0	45,0	41,0
2"	1/2"	71,0	29,0	48,0	38,0
	3/4"	71,0	33,0	49,0	41,0
	1"	71,0	41,0	51,0	44,0
	1 1/4"	71,0	50,0	54,0	48,0
	1 1/2"	71,0	57,9	55,0	52,0

Y-piece YS.I



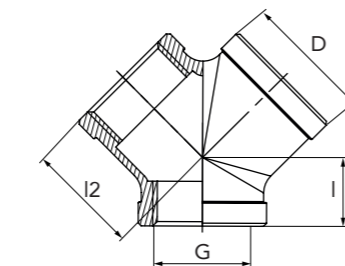
Product description

Short name YS.I
Y-piece
parallel female thread
acc. to ISO 228-1

Material

1.4408

Measures and values



G	D	I	I2
1/8"	17	10	17
1/4"	21	13	19
3/8"	25	14	23
1/2"	29	18	27
3/4"	35	20	32
1"	43	23	38
1 1/4"	52	28	46
1 1/2"	58	30	48
2"	71	34	57

Stocks

You will find the current stock levels on our website www.heco.de/en



cross KS.I



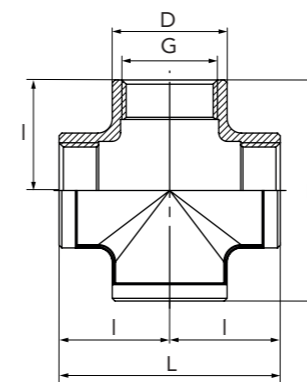
Product description

Short name KS.I
cross
parallel female thread
acc. to ISO 228-1

Material

1.4408

Measures and values



G	D	I	L
1/8"	15	17,0	34,0
1/4"	20	18,5	37,0
3/8"	23	22,9	45,8
1/2"	28	26,8	53,6
3/4"	35	32,0	64,0
1"	40	39,5	77,0
1 1/4"	53	45,9	91,8
1 1/2"	58	47,6	95,2
2"	70	58,0	116,0
2 1/2"	87	70,0	140,0
3"	100	77,0	154,0
4"	126	97,0	194,0

hexagon bushing RS.I



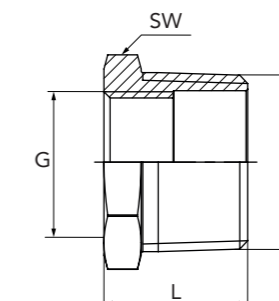
Product description

Short name RS.I
hexagon bushing, parallel female
thread acc. to ISO 228-1
conical male thread acc. to ISO 7-1

Material

1.4408

Measures and values



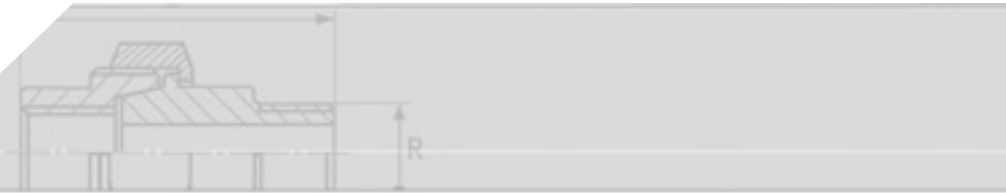
R	G	L	SW
1/4"	1/8"	15	17
3/8"	1/8"	17	18
	1/4"	17	18
1/2"	1/8"	21	26
	1/4"	21	26
	3/8"	21	26
3/4"	1/8"	24	30
	1/4"	24	30
	3/8"	24	30
	1/2"	24	30
1"	1/4"	27	35
	3/8"	27	35

Stocks

You will find the current stock levels on our website www.heco.de/en

Maße und Werte

R	G	L	SW
1"	1/2"	27	35
	3/4"	27	35
1/4"	1/2"	30	45
	3/4"	30	45
	1"	30	45
1 1/2"	1/2"	38	52
	3/4"	38	52
	1"	30	50
	1 1/4"	29	52
2"	1/2"	36	63
	3/4"	36	63
	1"	36	63
	1 1/4"	34	63
	1 1/2"	34	65
2 1/2"	1"	45	81
	1 1/2"	36	79
	2"	36	79
3"	1 1/2"	47	95
	2"	47	95
	2 1/2"	40	95
4"	2"	52	120
	2 1/2"	52	120
	3"	46	120



hexagon plug **ST.I**

plug, parallel thread **ST.228**

square plug **ST.4.I**



Product description

Short name ST.I
hexagon plug
conical male thread
acc. to ISO 7-1

Material

1.4408

Measures and values

Product description

Short name ST.228
plug
parallel male thread
acc. to ISO 228-1

Material

1.4408

Measures and values

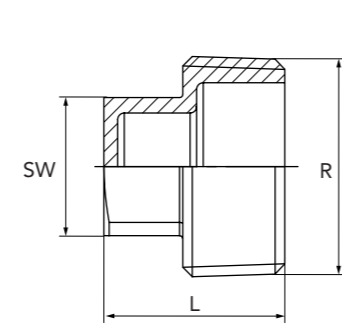
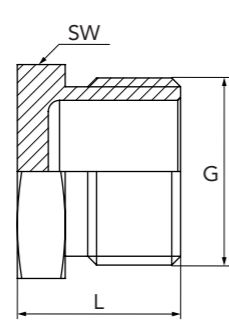
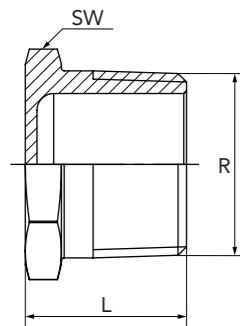
Product description

Short name ST.4.I
square plug
conical male thread
acc. to ISO 7-1

Material

1.4408

Measures and values



R	L	SW
1/8"	17	12
1/4"	18	16
3/8"	18	20
1/2"	22	24
3/4"	23	30
1"	26	36
1 1/4"	29	46
1 1/2"	29	50
2"	34	65
2 1/2"	37	81
3"	41	94
4"	48	119

G	L	SW
1/8"	17	12
1/4"	18	16
3/8"	18	20
1/2"	25	24
3/4"	26	30
1"	29	38
1 1/4"	35	46
1 1/2"	38	52
2"	39	65
2 1/2"	44	81
3"	54	94
4"	55	119

R	L	SW
1/8"	17	6
1/4"	20	9
3/8"	24	11
1/2"	21	13
3/4"	23	16
1"	28	20
1 1/4"	30	24
1 1/2"	31	27
2"	36	34
2 1/2"	48	42
3"	52	46
4"	62	58

Stocks

You will find the current stock levels on our website www.heco.de/en



screw plug DIN 908 **VS.908**

screw plug DIN 910 **VS.910**

hexagon cap **KA.I**



Product description

Short name VS.908
screw plug DIN 908, banded,
hexagon socket, parallel male
thread acc. to ISO 228-1

Material

1.4571

Measures and values

Product description

Short name VS.910
screw plug DIN 910
banded, hexagon head
parallel male thread acc. to ISO

Material

1.4571

Measures and values

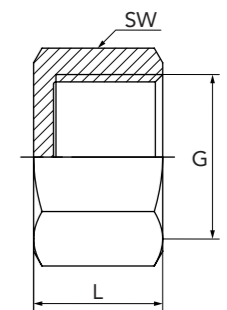
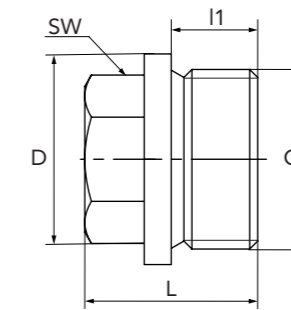
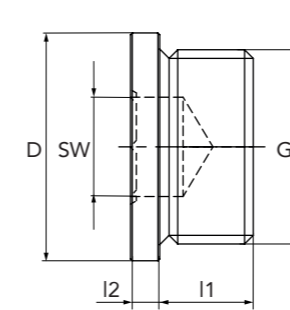
Product description

Short name KA.I
hexagon cap
parallel female thread
acc. to ISO 228-1

Material

1.4408

Measures and values



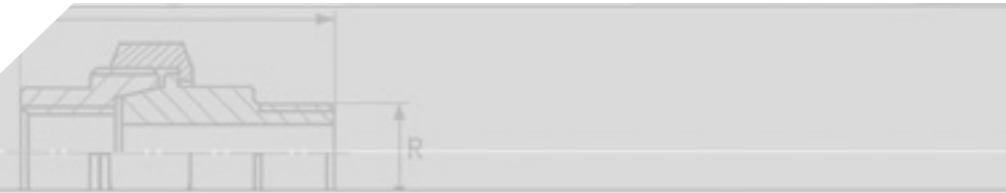
G	D	I1	I2	SW
1/8"	14	8	3	5
1/4"	18	12	3	6
3/8"	22	12	3	8
1/2"	26	14	4	10
3/4"	32	16	4	12
1"	39	16	5	17
1 1/4"	49	16	5	22
1 1/2"	55	16	5	24
2"	68	20	5	32

G	L	I1	D	SW
1/8"	17	8	14	10
1/4"	21	12	18	13
3/8"	21	12	22	17
1/2"	26	14	26	19
3/4"	30	16	32	24
1"	32	16	39	27
1 1/4"	33	16	49	30
1 1/2"	33	16	55	30
2"	40	20	68	36

G	L	SW
1/8"	13	15
1/4"	17	18
3/8"	19	21
1/2"	22	27
3/4"	24	30
1"	25	38
1 1/4"	28	50
1 1/2"	28	55
2"	34	70
2 1/2"	40	92
3"	45	109
4"	50	132

Stocks

You will find the current stock levels on our website www.heco.de/en



pipe nut DIN 431

MT.431

union nut

UM.G

adapter

ADAP



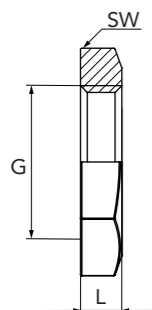
Product description

Short name MT.431
pipe nut DIN 431
parallel female thread
acc. to ISO 228-1

Material

1.4571

Measures and values



G	L	SW
1/8"	6	19
1/4"	6	22
3/8"	7	27
1/2"	8	34
3/4"	9	36
1"	10	46
1 1/4"	11	55
1 1/2"	12	60
2"	13	75

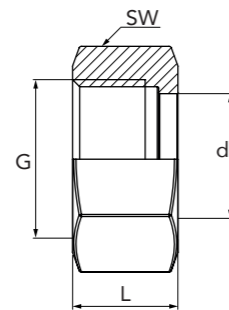
Product description

Short name UM.G
union nut, casting version
parallel female thread
acc. to ISO 228-1

Material

1.4408

Measures and values



G	SF	d	L	SW
1/2"	hexagon	15,0	14	24,0
5/8"	hexagon	18,0	15	27,0
3/4"	hexagon	21,7	16	32,0
1"	hexagon	27,4	22	41,0
1 1/4"	hexagon	34,2	22	50,0
1 1/2"	hexagon	40,5	22	55,0
2"	hexagon	50,5	26	65,0
2 1/2"	octagon	63,9	26	83,0
3"	octagon	88,0	28	100,0
3 1/2"	octagon	90,0	30	110,1
3 3/4"	octagon	96,9	30	120,0

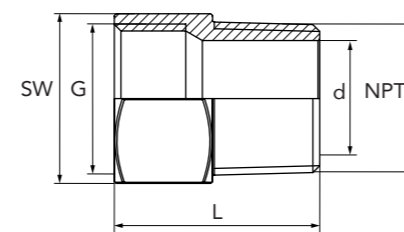
Product description

Short name ADAP
adapter G (F) x NPT (M)
also available as NPT (F) x R (M)

Material

1.4408

Measures and values



IG	AG	d	L	SW
G 1/8"	NPT 1/8"	5,0	26	14
G 1/4"	NPT 1/4"	8,0	28	17
G 3/8"	NPT 3/8"	10,0	31	21
G 1/2"	NPT 1/2"	13,5	37	26
G 3/4"	NPT 3/4"	20,0	41	32
G 1"	NPT 1"	26,0	46	38
G 1 1/4"	NPT 1 1/4"	33,0	49	50
G 1 1/2"	NPT 1 1/2"	39,0	51	54
G 2"	NPT 2"	50,0	58	68

Stocks

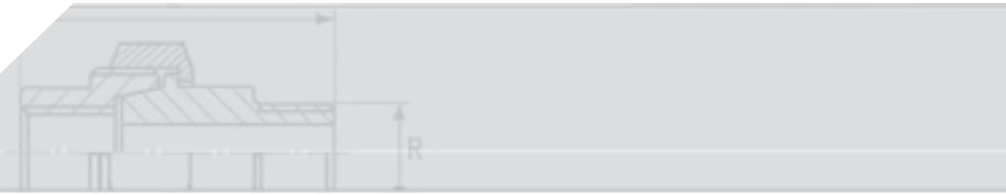
You will find the current stock levels on our website www.heco.de/en



... with NPT thread, 150 lbs

	R 1/8"	R 1/4"	R 3/8"	R 1/2"	R 3/4"	R 1"	R 1 1/4"	R 1 1/2"	R 2"	R 2 1/2"	R 3"	R 4"	short name
	○	●	●	●	●	●	●	●	●	○	○	○	NPT.MU
	○	○	○	○	○	○	○	○	○	○	○	○	NPT.RM
	○	○	○	○	○	○	○	○	○	○	○	○	NPT.RS
	○	●	●	●	●	●	●	●	●	●	●	●	NPT.DN6
	○	○	○	○	○	○	○	○	○	○	○	○	NPT.RN
	○	○	○	○	○	○	○	○	○	○	○	○	NPT.MN
	●	●	●	●	●	●	●	●	○	○	○	○	NPT.ST
	○	○	○	○	○	○	○	○	○	○	○	○	NPT.ST4
	○	●	●	●	●	●	●	●	○	○	○	○	NPT.KA
	○	●	●	●	●	●	●	●	○	○	○	○	NPT.TS
	○	○	○	○	○	○	○	○	○	○	○	○	NPT.RT
	○	○	○	○	○	○	○	○	○	○	○	○	NPT.KS
	○	●	●	●	●	●	●	●	○	○	○	○	NPT.WI
	○	●	●	●	●	●	●	●	○	○	○	○	NPT.WI.A
	○	○	○	○	○	○	○	○	○	○	○	○	NPT.WI45
	○	○	○	○	○	○	○	○	○	○	○	○	NPT.WI45A
	○	○	○	○	○	○	○	○	○	○	○	○	NPT.RW
	○	○	○	○	○	○	○	○	○	○	○	○	NPT.TUE
	○	○	○	○	○	○	○	○	○	○	○	○	NPT.YS

● in stock ○ on request



unions

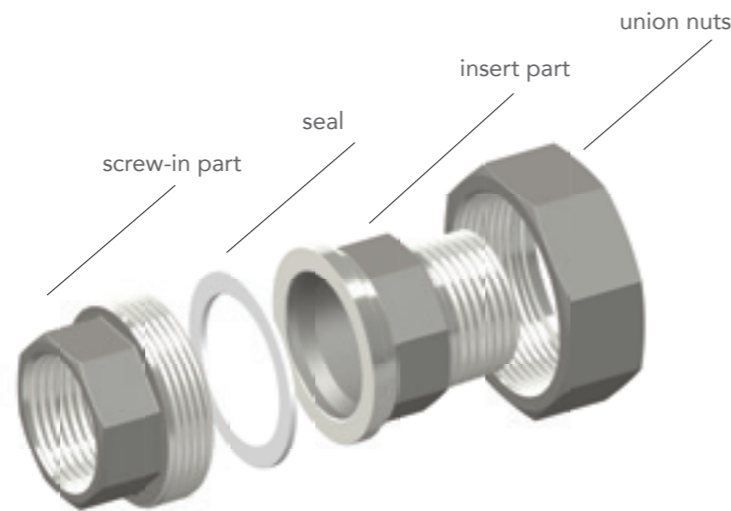
VF / VK

flat seat

Short name VF

The screw connection consists of:

1. Screw-in part
 - with female thread VF.GI
 - with male thread VF.GA
 - with butt weld end VF.GS
2. PTFE seal DI.I
3. Insert part
 - with female thread VFEI
 - with male thread VFEA
 - with butt weld end VFES
4. Union nut ÜM.I

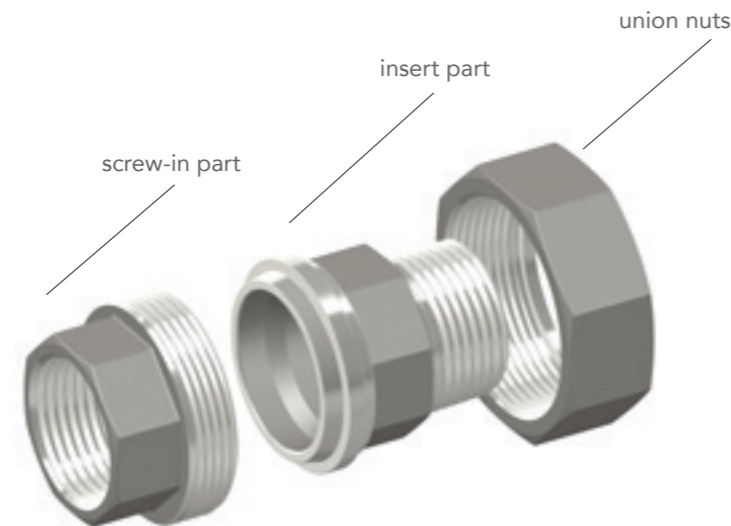


conical seat

Short name VK

The screw connection consists of:

1. Screw-in part
 - with female thread VK.GI
 - with male thread VK.GA
 - with butt weld end VK.GS
2. Insert part
 - with female thread VK.EI
 - with male thread VK.EA
 - with butt weld end VK.ES
3. Union nut ÜM.I



Product description

The screw connection is designed as a construction kit system. All individual parts can be interchangably replaced.

The connection thread is manufactured according to ISO 7-1 / 228-1. The inner thread is cylindrical (code letter G) and the outer thread is spherical (code letter R). The union nut thread is designed as an inch thread according to ISO 228-1. Pressure class PN 16/20 (also see Page 26). See the R-131/LR-131 series for higher pressures. 3D drawings in Step format for all sizes are available for download on our website.

stainless steel

union F/F

VF.II

union F/M

VF.IA

union M/M

VF.AA



Product description

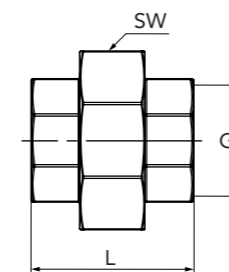
Short name VF.II

flat seat F/F
parallel female thread
acc. to ISO 228-1

Material

1.4408

Measures and values



Product description

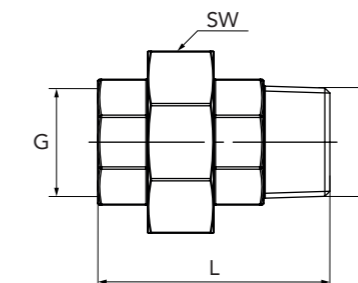
Short name VF.IA

flat seat F/M, parallel F (ISO 228-1),
conical M (ISO 7-1)
also available as conical seat

Material

1.4408

Measures and values



Product description

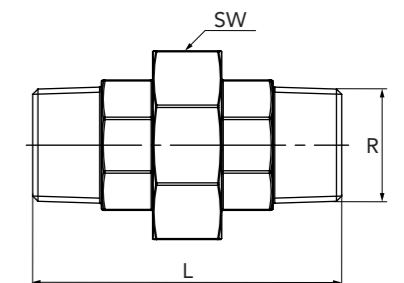
Short name VF.AA

flat seat M/M, conical male thread
acc. to ISO 7-1
also available as conical seat

Material

1.4408

Measures and values



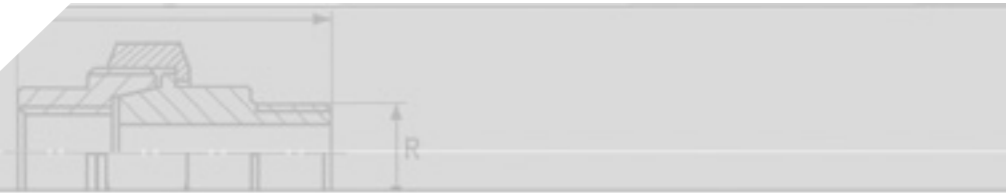
G	L	SW
1/8"	31	24
1/4"	34	30
3/8"	37	35
1/2"	40	41
3/4"	45	50
1"	50	55
1 1/4"	54	65
1 1/2"	58	72
2"	65	88
2 1/2"	75	108
3"	83	121
4"	110	149

G	L	SW
1/8"	39	24
1/4"	45	30
3/8"	48	35
1/2"	57	41
3/4"	63	50
1"	70	55
1 1/4"	77	65
1 1/2"	81	72
2"	93	88
2 1/2"	104	108
3"	115	121
4"	148	149

R	L	SW
1/8"	52	25
1/4"	61	30
3/8"	63	35
1/2"	73	41
3/4"	80	50
1"	90	55
1 1/4"	100	65
1 1/2"	104	72
2"	119	88
2 1/2"	144	112
3"	165	127
4"	205	157

Stocks

You will find the current stock levels on our website www.heco.de/en

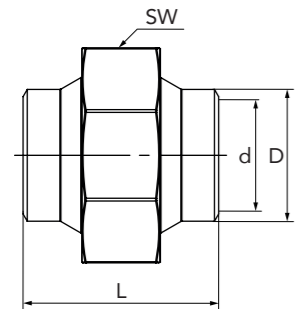

union BW/BW
VF.SS
union F/BW
VF.IS
union M/BW
VF.AS

Product description

Short name VF.SS
flat seat BW/BW
with butt weld end
also available as conical seat

Material

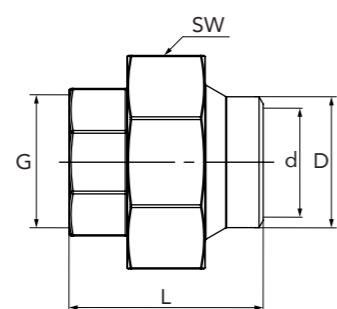
1.4408

Measures and values

Product description

Short name VF.IS
flat seat F/BW, parallel female thread
acc. to ISO 228-1
also available as conical seat

Material

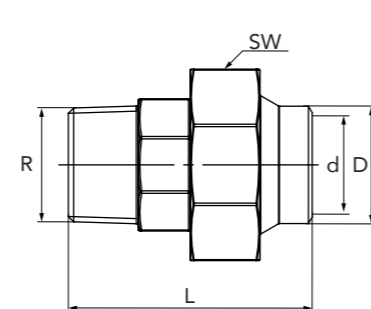
1.4408

Measures and values

Product description

Short name VF.AS
flat seat M/BW
conical male thread acc. to ISO 7-1
also available as conical seat

Material

1.4408

Measures and values


Zoll	D	d	L	SW
1/8"	10,2	8,1	29	25
1/4"	13,5	10,0	35	30
3/8"	17,2	12,7	38	35
1/2"	21,3	16,7	40	41
3/4"	26,9	20,0	45	50
1"	33,7	26,0	50	55
1 1/4"	42,4	36,0	54	65
1 1/2"	48,3	42,0	58	72
2"	60,3	53,3	65	88
2 1/2"	76,1	66,5	80	112
3"	88,9	78,5	88	126
4"	114,3	104,0	108	157

G	D	d	L	SW
1/4"	13,5	10,0	35	30
3/8"	17,2	12,7	38	35
1/2"	21,3	16,7	40	41
3/4"	26,9	20,0	45	50
1"	33,7	26,0	50	55
1 1/4"	42,4	36,0	54	65
1 1/2"	48,3	42,0	58	72
2"	60,3	53,3	65	88

R	D	d	L	SW
1/4"	13,5	10,0	50	30
3/8"	17,2	12,7	50	35
1/2"	21,3	16,7	57	41
3/4"	26,9	20,0	63	50
1"	33,7	26,0	70	55
1 1/4"	42,4	36,0	77	65
1 1/2"	48,3	42,0	81	72
2"	60,3	53,3	93	88

Stocks

You will find the current stock levels on our website www.heco.de/en

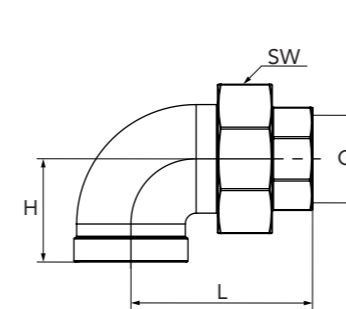
elbow union F/F
WF.II
elbow union F/M
WF.IA

Product description

Short name WF.II
flat seat F/F, parallel female thread
acc. to ISO 228-1
also available as conical seat

Material

1.4408

Measures and values


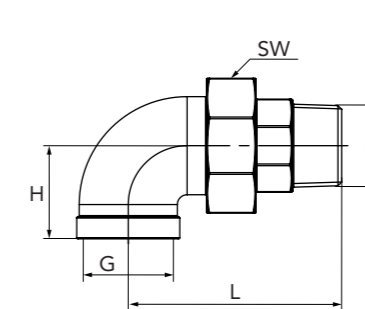
G	L	H	SW
1/4"	59	21	30
3/8"	61	25	35
1/2"	71	28	42
3/4"	79	33	47
1"	67	41	53
1 1/4"	80	45	71
1 1/2"	110	50	78
2"	119	58	92

Product description

Short name WF.IA
flat seat F/M, parallel F (ISO 228-1)
conical M (ISO 7-1)
also available as conical seat

Material

1.4408

Measures and values


G	L	H	SW
1/4"	59	21	30
3/8"	61	25	35
1/2"	71	28	42
3/4"	79	33	47
1"	88	38	53
1 1/4"	103	45	71
1 1/2"	110	50	78
2"	119	58	92

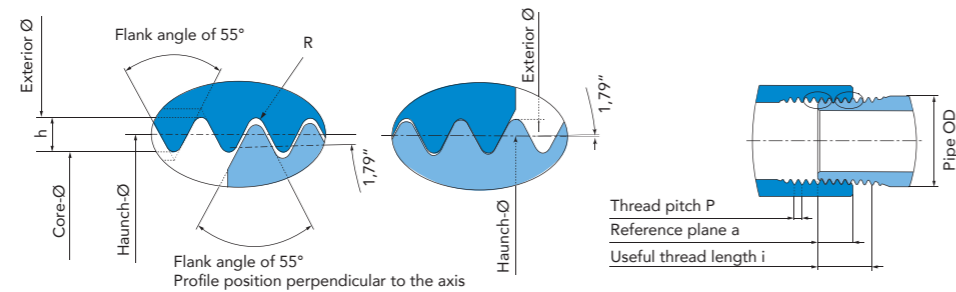
Stocks

You will find the current stock levels on our website www.heco.de/en





Whitworth pipe thread



Product description

Whitworth pipe thread according to DIN EN 10226, ISO 7/1, BSP for pipe connection which seals in the thread

Short name: Rp – F parallel / R – M tapered (1:16)

On reference plane a, the spherical external thread exhibits the same core, flank and external diameter as the Rp internal thread so that it can be screwed in by hand until this reference plane a is reached.

Forcibly tightening with a tool increases the screw-in length and, with the assistance of a suitable sealing agent (such as hemp or Teflon tape), seals the screw connection.

DN	R"	Rp"	Pipe OD	No of th.	P	h	Outside Ø	Haunch-Ø	Core-Ø	a	i
6	R 1/8	R 1/8	10,2	28	0,907	0,581	9,728	9,147	8,566	4,0	6,5
8	R 1/4	R 1/4	13,5	19	1,337	0,856	13,157	12,301	11,445	6,0	9,7
10	R 3/8	R 3/8	17,2	19	1,337	0,856	16,662	15,806	14,950	6,4	10,1
15	R 1/2	R 1/2	21,3	14	1,814	1,162	20,955	19,793	18,631	8,2	13,2
20	R 3/4	R 3/4	26,9	14	1,814	1,162	26,441	25,279	24,117	9,5	14,5
25	R 1	R 1	33,7	11	2,309	1,479	33,249	31,770	30,291	10,4	16,8
32	R 1 1/4	R 1 1/4	42,4	11	2,309	1,479	41,910	40,431	38,952	12,7	19,1
40	R 1 1/2	R 1 1/2	48,3	11	2,309	1,479	47,803	46,324	44,845	12,7	19,1
50	R 2	R 2	60,3	11	2,309	1,479	59,614	58,135	56,656	15,9	23,4

Combination opportunities Withworth pipe thread

Combination with pipe threads for connections which seal in the thread:

It is possible to pair a conical pipe external thread R in accordance with DIN 10226, ISO 7-1 with a cylindrical pipe internal thread G in accordance with DIN/ISO 228-1 without restriction.

Combination with pipe threads for connections which do not seal in the thread:

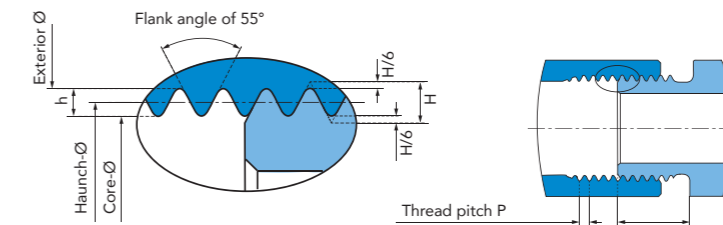
Pairing a cylindrical pipe external thread G from tolerance classes A or B in accordance with DIN ISO 228-1 with a cylindrical pipe internal thread RP in accordance with this document requires special measures. In the event that such a combination becomes necessary, the positive or negative deviation limits of the cylindrical pipe inner thread RP in accordance with this document in the respective product standards where the combination with cylindrical pipe external threads G are combined, must be taken into consideration.



The threads are tested using thread ring gauges and thread plug gauges.



Whitworth pipe thread



Product description

Whitworth pipe thread according to DIN 259, DIN/ISO 228, BSP for pipe connection which does not seal in the thread

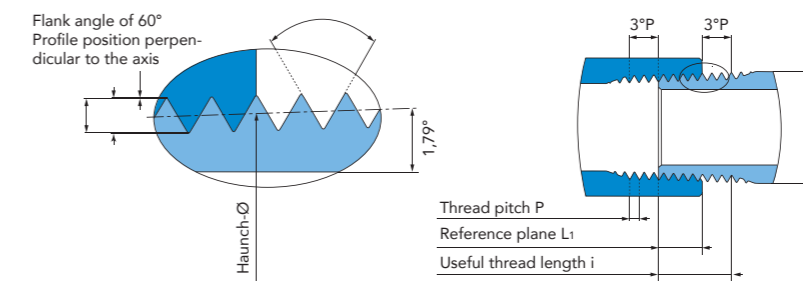
Short name: G – F parallel / G – M parallel

This thread is primarily used for the mechanical connection of fittings. The connection is sealed via two sealing surfaces outside of the thread pressing against each other and the insertion of a suitable seal.

Threaded studs in Shape A (with sealing ring), Shape B (with sealing edge) and Shape E (by arrangement) as well as the associated threaded bores in Shape X (with outlet) and Shape Y (with groove), respectively in accordance with DIN 3852, Part 2, exhibit a G-thread according to this standard.

Thread	No of th.	P	h	for M	Haunch-Ø	for F	i
G 1/8	28	0,907	0,581	9,728	9,147	8,566	8
G 1/4	19	1,337	0,856	13,157	12,301	11,445	12
G 3/8	19	1,337	0,856	16,662	15,806	14,950	12
G 1/2	14	1,814	1,162	20,955	19,793	18,631	14
G 3/4	14	1,814	1,162	26,441	25,279	24,117	16
G 1	14	2,309	1,479	33,249	31,770	30,291	18
G 1 1/4	11	2,309	1,479	41,910	40,431	38,952	20
G 1 1/2	11	2,309	1,479	47,803	46,324	44,845	22
G 2	11	2,309	1,479	53,746	58,135	56,656	24

American tapered thread



Product description

Short name: NPT – F tapered / NPT – M tapered (1:16)

On reference plane L1, the spherical NPT male thread exhibits the same core, flank and external diameter as the NPT female thread at the start of the thread so that it can be screwed in by hand until this reference plane is reached.

Forcibly tightening with a tool increases the screw-in length and, with the assistance of a suitable sealing agent (such as hemp or Teflon tape), seals the screw connection. As the female and male threads are both spherical, more threads contribute to sealing and the assumption of force. The small thread flattening results in only a low leakage path.

Thread"	Pipe OD	No of th.	P	h	Haunch-Ø E1	L1	i
NPT 1/8	10,287	27	0,941	0,753	9,489	4,102	6,703
NPT 1/4	13,761	18	1,411	1,129	12,487	5,786	10,206
NPT 3/8	17,145	18	1,411	1,129	15,926	6,096	10,358
NPT 1/2	21,336	14	1,814	1,451	19,772	8,128	13,556
NPT 3/4	26,670	14	1,814	1,451	25,117	8,611	13,861
NPT 1	33,401	11 1/2	2,209	1,767	31,461	10,160	17,343
NPT 1 1/4	42,164	11 1/2	2,209	1,767	40,218	10,668	17,953
NPT 1 1/2	48,260	11 1/2	2,209	1,767	46,287	10,668	18,377



ISO 4144 – stainless steel shaped parts with thread according to ISO 7-1

Your advantages:

- Standardised and, consequently, constant dimensions
- Guaranteed quality verified with acceptance test certificate (acc. to DIN EN 10204-3-1)
- Each part is stamped with the batch
- 3D models in Step format available on our website for download.



Product description

ISO (International Organization for Standardization)
ISO is the International Organization for Standardization and develops international standards.
ISO 4144 has been used worldwide since being published in 1979.
In addition to the determination of the dimensions, an important component of this standard is to determine the pressure value depending on the temperature.

Measures and values

pressure-temperature-diagram

°C	bar
-20 to 40	20,0
100	16,5
150	15,0
200	14,0
220	13,5

elbow union

WF.II



- product description
- material
- measures and values
- stocks and pricing ³
- downloads ⁴
- CAD ⁵
- ask our experts

Retrieving the technical data and 3D models



full text



article number ¹

The fastest and most direct way is by using our abbreviated article designations ¹. After you have entered a term in the Search box ² on our website, you are directly forwarded to the article without you having to use the navigation.

You are able to see the current stock level under "stocks and pricing" ³. If you are logged into our myheco customer portal, you can also see the prices here.

You will find the technical data under "measures and values". A technical datasheet can be downloaded at the end of the table ⁴.

The 3D models in Step format are stored under the category "CAD" ⁵.

¹

Short names

ADAP	adapter
AN.	welding nipple
AN.SL	welding nipple, special length
DN.	barrel nipple
DN.SL	barrel nipple, special length
DN6.I	hexagon nipple
DN.Z	hexagon nipple parallel thread
DW.	elbow with wall plate
GK.	bend
GN.	Gewindeschlauchnippel
HM.	half socket seamless
KA.I	hexagon cap
KS.I	cross
MN.	negative bushing
MT.431	pipe nut DIN 431
MU.	socket seamless
NI.	parallel nipple
RM.I	reducing socket
RN.I	reducing nipple
RS.I	hexagon bushing
RT.I	reducing tee
RW.I	reducing elbow
SN.	welding hose nipple
SM.	welding socket
ST.I	hexagon plug
ST.4.I	square plug
ST.228	plug, parallel thread
TS.I	tee
TU.	hexagon hose nipple
TULU	hose nozzle with loose nut
TUMU	hose nozzle with female thread
TU. 228	hexagon hose nozzle
UM.G	union nut
VF.AA VK.AA	union M/M
VF.AS VK.AS	union M/BW
VF.IA VK.IA	union F/M
VF.II VK.II	union F/F
VF.IS.VK.IS	union F/BW
VF.SS VK.SS	union BW/BW
VS.908	screw plug DIN 908
VS.910	screw plug DIN 910
WF.IA	elbow union F/M
WF.II	elbow union F/F
WI.45	elbow 45° F/F
WI.45A	elbow 45° F/M
WI.AA	elbow 90° M/M
WI.IA	elbow 90° F/M
WI.II	elbow 90° F/F
YS.I	Y-piece

You will find all of the short names at www.heco.de/en/interesting-facts.



heco gmbh
 Am Eisengraben 5
 75196 Remchingen
 Tel. +49 7232 36 55-0
 Fax +49 7232 72 964
 va@heco.de
 www.heco.de

heco gmbh NL Berlin
 Köpenicker Straße 19-20
 12524 Berlin
 Tel. +49 30 68 838 143-0
 Fax +49 30 68 838 143-9
 berlin@heco.de
 www.heco.de

heco gmbh NL Frankfurt
 Senefelderstraße 1K
 63110 Rodgau
 Tel. +49 6106 28 522-0
 Fax +49 6106 28 522-28
 frankfurt@heco.de
 www.heco.de

heco Sp. z o. o.
 Al. Jerozolimskie 427
 05 800 Pruszków
 Tel. +48 22 7530 720
 Fax +48 22 7530 721
 heco@heco.pl
 www.heco.pl

heco gmbh NL Bielefeld
 Bahnhofstraße 48
 33602 Bielefeld
 Tel. +49 521 944 175-0
 Fax +49 521 944 175-17
 bielefeld@heco.de
 www.heco.de

heco gmbh NL Nürnberg
 Pretzfelder Straße 15
 90425 Nürnberg
 Tel. +49 911 93 772-0
 Fax +49 911 93 772-19
 nuernberg@heco.de
 www.heco.de

heco nerez s.r.o.
 Technická 15
 616 00 Brno
 Tel. +420 545 211 196
 Fax +420 547 211 575
 kontakt@heco-nerez.cz
 www.heco-nerez.cz