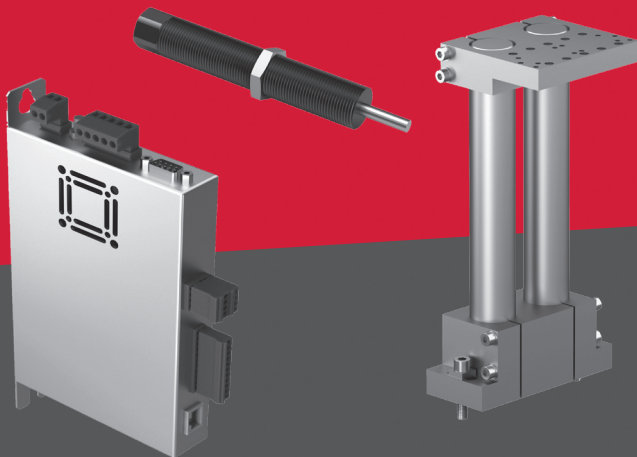




Handling
technology HT
Accessories
**Fascination
Movement.**

Yesterday. Today. Tomorrow.





Handling technology HT Accessories

As the components of a perfectly coordinated modular system, all product groups within Afag's handling technology HT are consequently designed for universal modularity. The combination of different sizes amongst each other is facilitated in a simple manner. Pneumatic linear modules, for example, can be combined with electrical axes as well as with electrical grippers. The quality of our handling technology components as well as innovation, customer proximity and service are the key elements of Afag's philosophy. Free CAD data for all modules can be quickly obtained from a partserver. The 24 month service life reduces standstill periods, and replacement costs are also significantly cut.

The accessories listed in this catalogue supplement our wide range of linear components, as well as gripping and rotary components. These pneumatic and electric components are available in various sizes and are listed in separate catalogues.



Handling technology HT

Accessories



Table of contents

Accessories	Page	Chapter
Connection elements	7	1
Program for supports/columns	35	2
Module centering	49	3
Shock absorbers	53	4
Adjusting Stops	61	5
Proximity switches	67	6
Compressed air accessories	75	7
Drives	77	8
Servo controllers and accessories	129	9
Cables	155	10

Connection elements

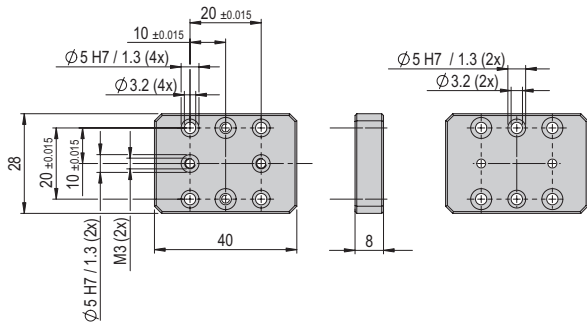


Table of contents: Connection elements

Connection elements	Page
Connection plate VP	9
Angle plate VW	21
Flange plate VF	27
Connecting set VS	29
Special screws	31
T-nuts	33

Connection plates VP

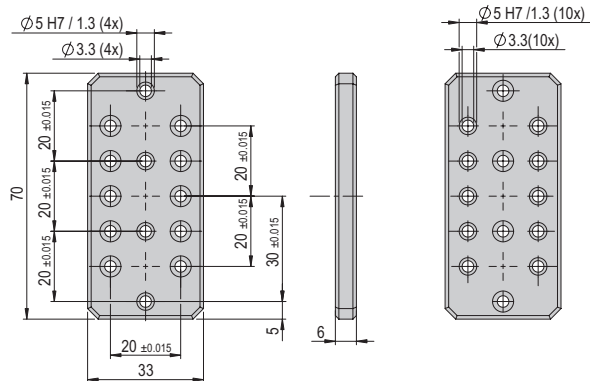
Connection plate VP 100	VP 100
Order number	50077103
Net weight	0.021 kg



Included in the delivery

- 2x Special screw M3 x 10/4
- 4x Mounting screw M3x12
- 2x Centering bushing $\varnothing 5 \times 2.5$

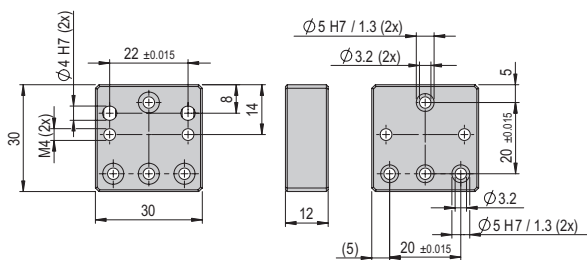
Connection plate VP 101	VP 101
Order number	50041054
Net weight	0.032 kg



Included in the delivery

- 2x Mounting screw M3x10
- 2x Centering bushing $\varnothing 5 \times 2.5$
- 6x Mounting screw M3x12

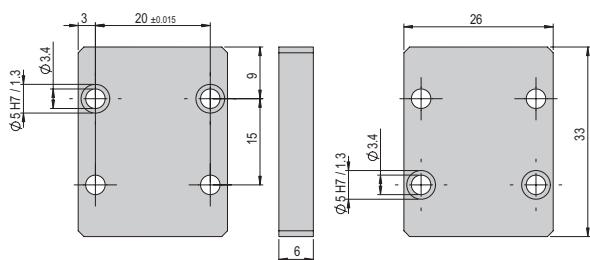
Connection plate VP 102	VP 102
Order number	50077106
Net weight	0.025 kg



Included in the delivery

- 2x Mounting screw M3x16
- 2x Centering bushing $\varnothing 5 \times 2.5$

Connection plate VP 103	VP 103
Order number	50077107
Net weight	0.013 kg

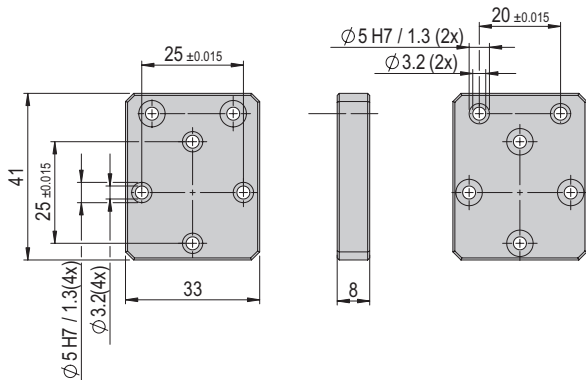


Included in the delivery

- 4x Mounting screw M3x12
- 4x Centering bushing $\varnothing 5 \times 2.5$

Connection plate VP 104 VP 104

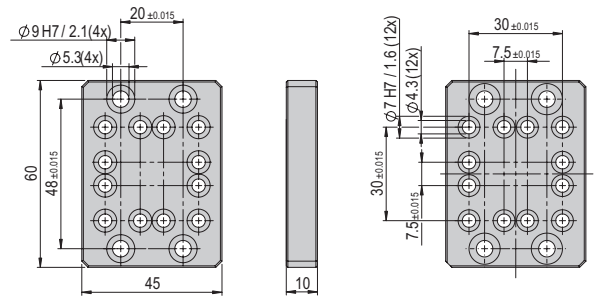
Order number 50077108
Net weight 0.026 kg



- Included in the delivery**
- 2x Mounting screw M3x10
 - 2x Centering bushing Ø5x2.5

Connection plate VP 105 VP 105

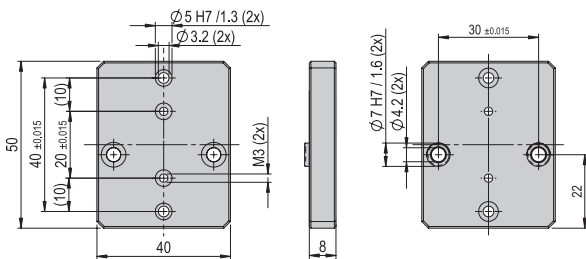
Order number 50077109
Net weight 0.057 kg



- Included in the delivery**
- 2x Centering bushing Ø7x3
 - 2x Centering bushing Ø9x4
 - 4x Mounting screw M4x12
 - 4x Mounting screw M5x20

Connection plate VP 106 VP 106

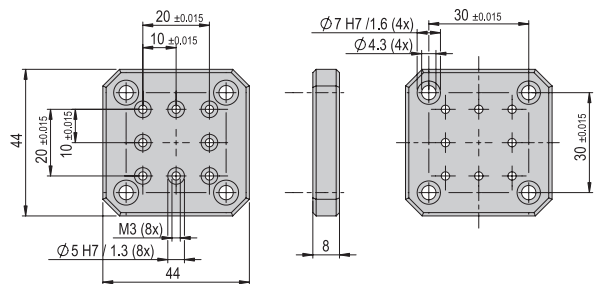
Order number 50077110
Net weight 0.041 kg



- Included in the delivery**
- 2x Centering bushing Ø7x3
 - 2x Mounting screw M4x12

Connection plate VP 107 VP 107

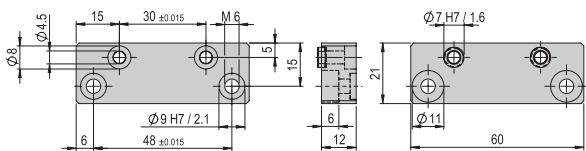
Order number 50041056
Net weight 0.038 kg



- Included in the delivery**
- 2x Centering bushing Ø7x3
 - 4x Mounting screw M4x10

Connection plate VP 108 VP 108

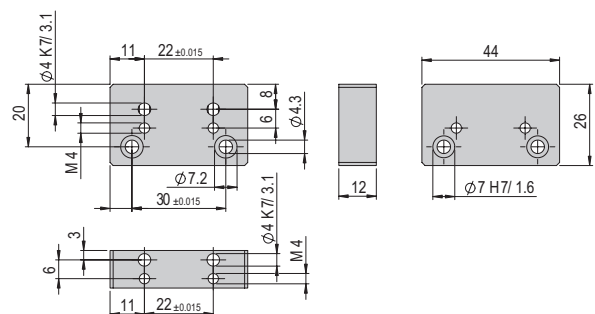
Order number 50077113
Net weight 0.035 kg



- Included in the delivery**
- 2x Centering bushing Ø7x3
 - 2x Mounting screw M4x16
 - 2x Mounting screw M6x16

Connection plate VP 109 VP 109

Order number 11016902
Net weight 0.034 kg



- Included in the delivery**
- 2x Centering bushing Ø7x3
 - 2x Mounting screw M4x14

Note: Connection plate, angle plates, flange plates can also be manufactured by the customer itself, please have a look at our website www.afag.com where you can download shop drawings free of charge.

Connection plate VP 110

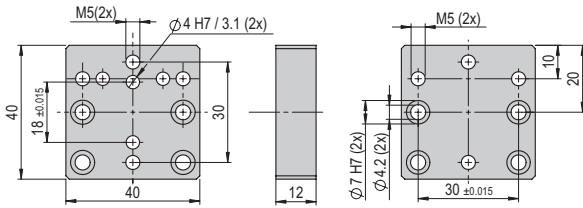
VP 110

Order number

50077115

Net weight

0.044 kg



Included in the delivery

- 2x Centering bushing Ø7x3
- 4x Mounting screw M4x12

Connection plate VP 111

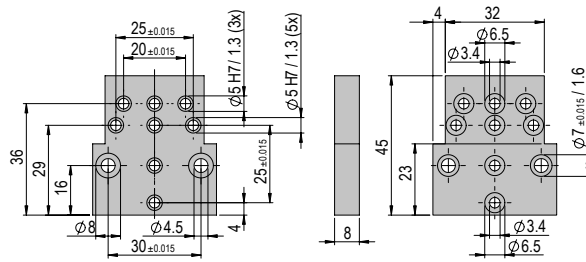
VP 111

Order number

50077116

Net weight

0.03 kg



Included in the delivery

- 2x Centering bushing Ø7x3
- 2x Mounting screw M3x10
- 2x Mounting screw M4x12
- 2x Centering bushing Ø5x2.5

Connection plate VP 112

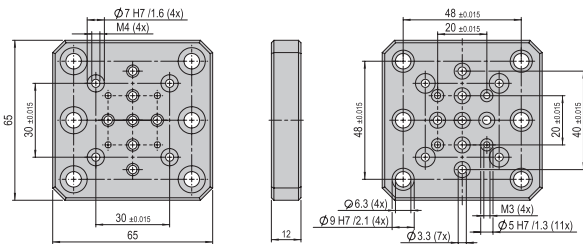
VP 112

Order number

50041068

Net weight

0.112 kg



Included in the delivery

- 2x Centering bushing Ø9x4
- 2x Mounting screw M3x16
- 2x Centering bushing Ø5x2.5
- 2x Mounting screw M4x10
- 4x Mounting screw M4x20
- 4x Mounting screw M6x16

Connection plate VP 113

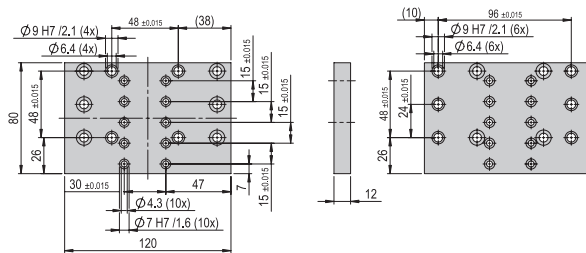
VP 113

Order number

50077118

Net weight

0.274 kg



Included in the delivery

- 2x Centering bushing Ø9x4
- 4x Mounting screw M4x12
- 4x Mounting screw M6x14
- 8x Mounting screw M6x20

Connection plate VP 114

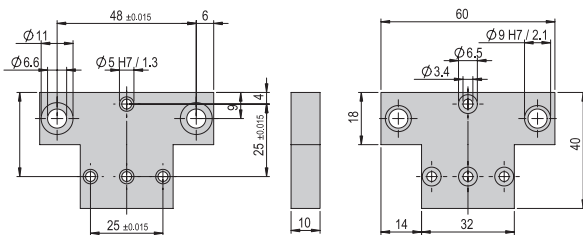
VP 114

Order number

50077119

Net weight

0.041 kg



Included in the delivery

- 2x Centering bushing Ø9x4
- 2x Mounting screw M3x12
- 2x Mounting screw M6x14
- 2x Centering bushing Ø5x2.5

Connection plate VP 115

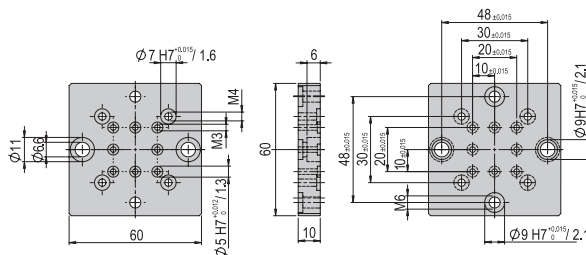
VP 115

Order number

50077120

Net weight

0.086 kg



Included in the delivery

- 2x Centering bushing Ø9x4
- 2x Mounting screw M6x14
- 2x Mounting screw M6x16
- 2 Mounting screw M6x25

Connection plate VP 117

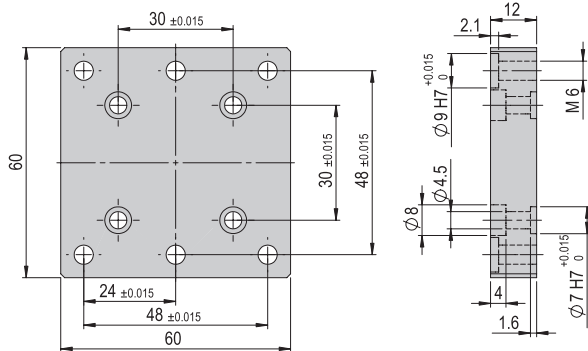
VP 117

Order number

50077121

Net weight

0.393 kg



Included in the delivery

- 2x Centering bushing Ø7x3
- 4x Mounting screw M4x16
- 4x Mounting screw M6x20
- 4x Mounting screw M6x30
- 4x Special screw M6 x 20/11

Connection plate VP 118

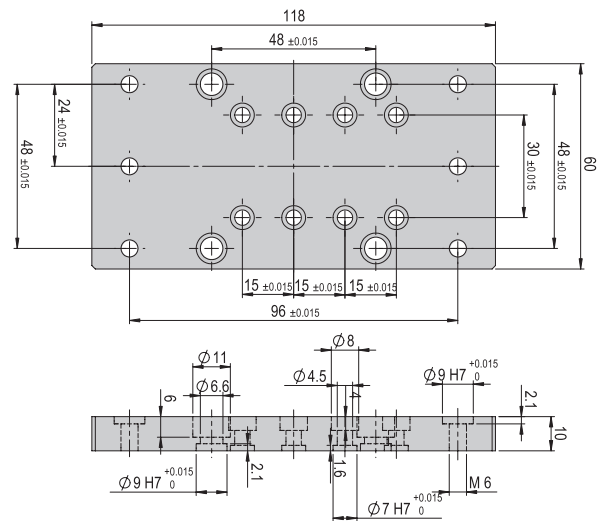
VP 118

Order number

50077122

Net weight

0.171 kg



Included in the delivery

- 2x Centering bushing Ø7x3
- 2x Centering bushing Ø9x4
- 4x Mounting screw M4x12
- 4x Mounting screw M6x16
- 4x Mounting screw M6x20

Connection plate VP 119

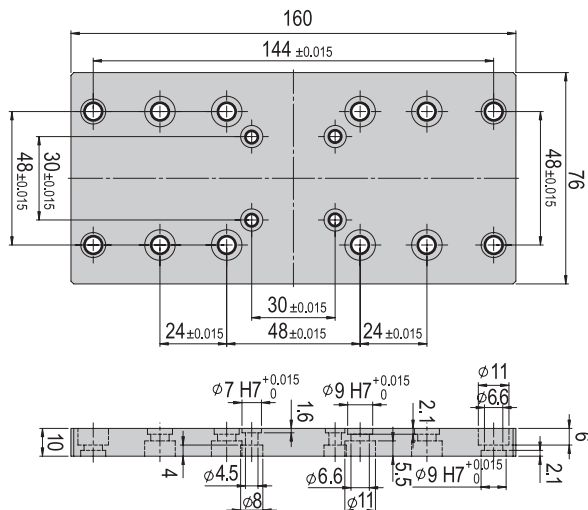
VP 119

Order number

11017417

Net weight

0.298 kg



Included in the delivery

- 2x Centering bushing Ø7x3
- 4x Centering bushing Ø9x4
- 4x Mounting screw M4x14
- 4x Mounting screw M6x12
- 8x Mounting screw M6x16

Connection plate VP 120

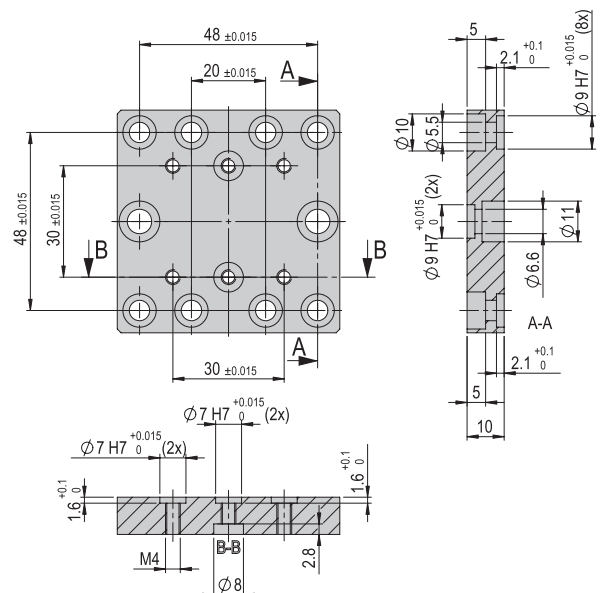
VP 120

Order number

11010369

Net weight

0.079 kg



Included in the delivery

- 4x Centering bushing Ø9x4
- 2x Mounting screw M4x12
- 4x Mounting screw M5x16
- 4x Mounting screw M6x16

Note: Connection plate, angle plates, flange plates can also be manufactured by the customer itself, please have a look at our website www.afag.com where you can download shop drawings free of charge.

Connection plate VP 122

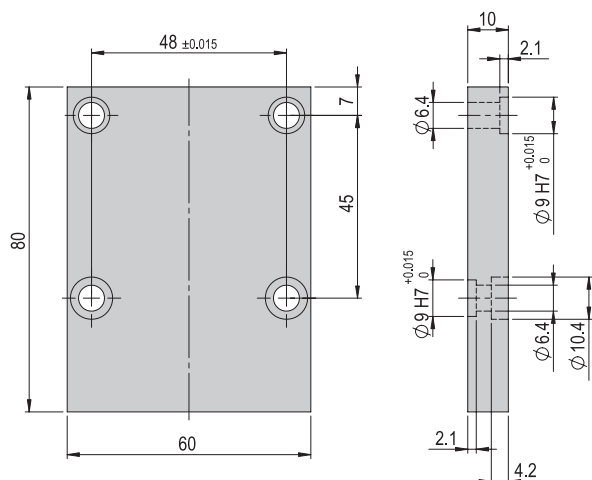
VP 122

Order number

11001621

Net weight

0.123 kg



Included in the delivery

- 4x Centering bushing Ø9x4
- 2x Mounting screw M6x16
- 2x Mounting screw M6x20

Connection plate VP 125

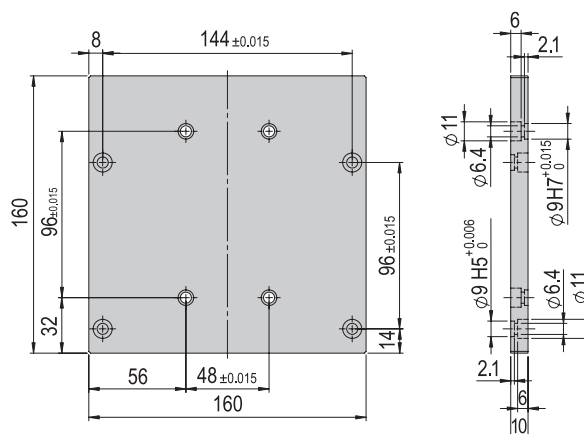
VP 125

Order number

50017888

Net weight

0.409 kg



Included in the delivery

- 8x Centering bushing Ø9x4
- 8x Mounting screw M6x16

Connection plate VP 126

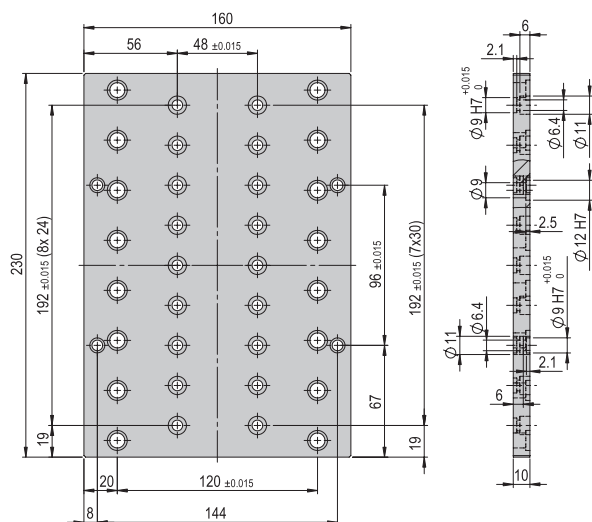
VP 126

Order number

50077130

Net weight

1.04 kg



Included in the delivery

- 4x Centering bushing Ø9x4
- 2x Centering bushing Ø12x4.8
- 4x Mounting screw M6x12
- 4x Mounting screw M6x18
- 4x Mounting screw M8x25

Connection plate VP 127

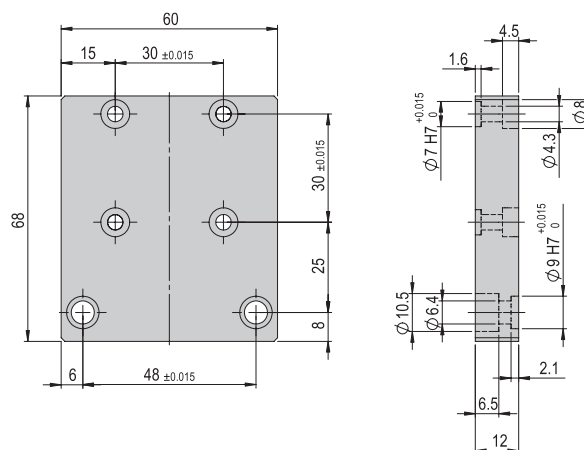
VP 127

Order number

50003068

Net weight

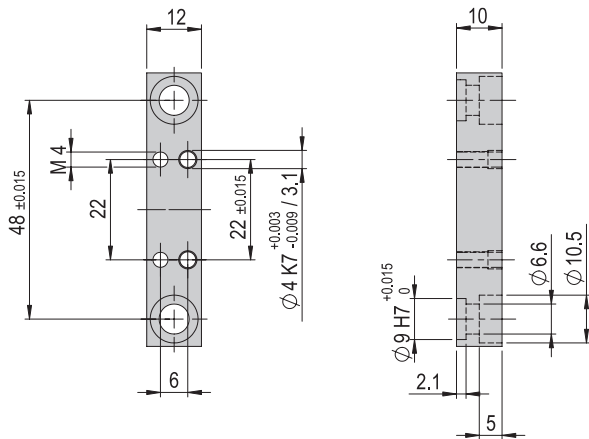
0.122 kg



Included in the delivery

- 2x Centering bushing Ø7x3
- 2x Centering bushing Ø9x4
- 4x Mounting screw M4x14
- 4x Mounting screw M4x20
- 2x Mounting screw M6x12
- 2x Mounting screw M6x20

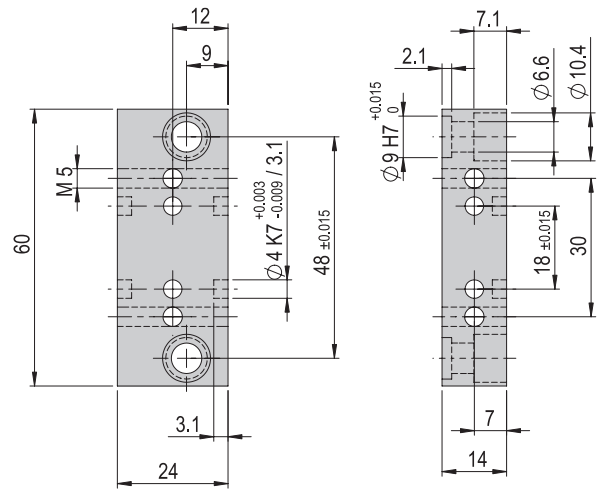
Connection plate VP 128	VP 128
Order number	11005908
Net weight	0.015 kg



Included in the delivery

- 2x Centering bushing Ø9x4
- 2x Mounting screw M4x30
- 2x Mounting screw M6x20
- 2x Washer M4

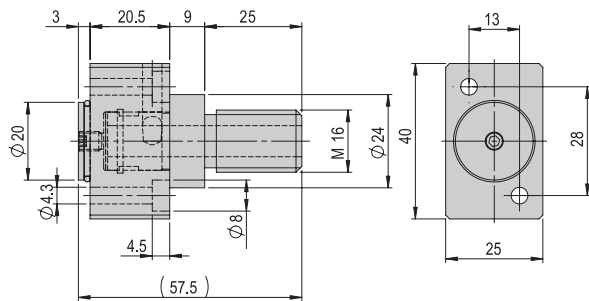
Connection plate VP 129	VP 129
Order number	11001440
Net weight	0.045 kg



Included in the delivery

- 2x Centering bushing Ø9x4
- 2x Mounting screw M6x20

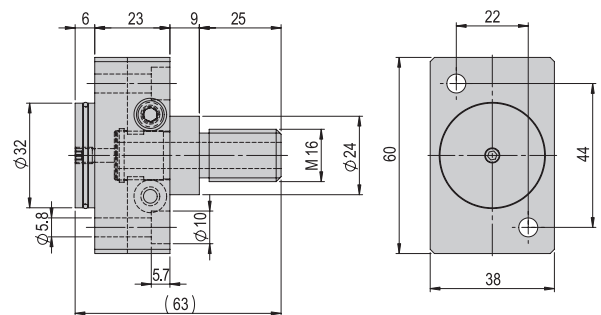
Connection plate VP 130	VP 130
Order number	11009167
Net weight	0.121 kg



Included in the delivery

- 2x Mounting screw M4x25
- 1x Set screw M5x6
- 1x Set screw M6x8
- 1x O-ring 15x1 mm
- 1x O-ring 18x1.5 mm
- 1x Lardon

Connection plate VP 131	VP 131
Order number	11009168
Net weight	0.241 kg



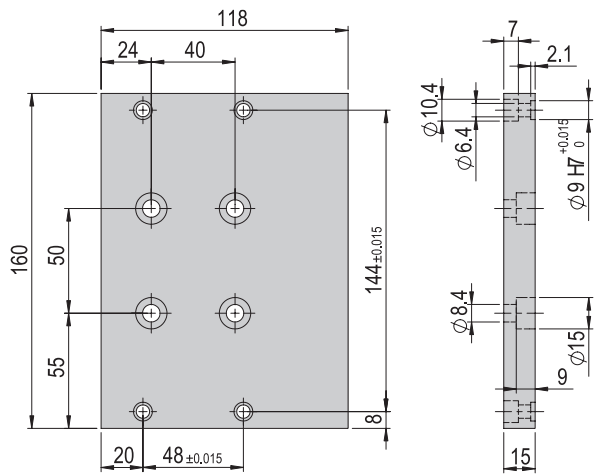
Included in the delivery

- 2x Mounting screw M5x30
- 1x Set screw M5x6
- 1x O-ring 15x1 mm
- 1x O-ring 29x1.5 mm

Note: Connection plate, angle plates, flange plates can also be manufactured by the customer itself, please have a look at our website www.afag.com where you can download shop drawings free of charge.

Connection plate VP 132 VP 132

Order number 11004894
Net weight 0.747 kg

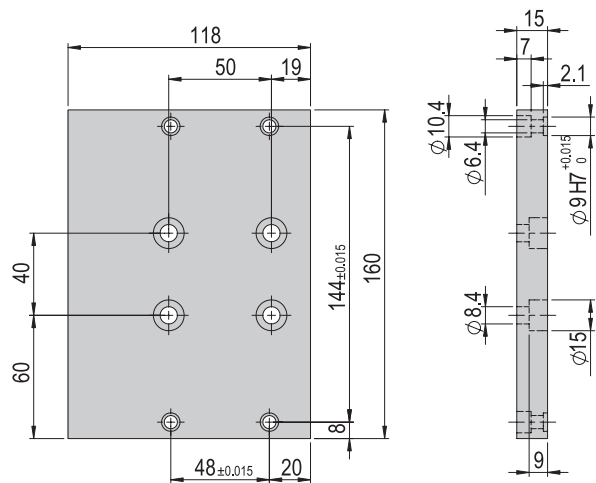


Included in the delivery

- 4x Centering bushing Ø9x4
- 4x Mounting screw M6x20
- 4x Mounting screw M8x25

Connection plate VP 133 VP 133

Order number 11004975
Net weight 0.747 kg

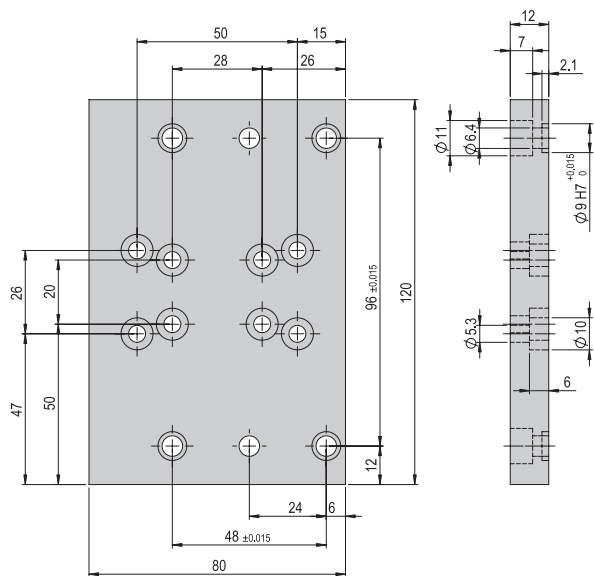


Included in the delivery

- 4x Centering bushing Ø9x4
- 4x Mounting screw M6x20
- 4x Mounting screw M8x16
- 4x T-nut M8

Connection plate VP 134 VP 134

Order number 11014949
Net weight 0.282 kg

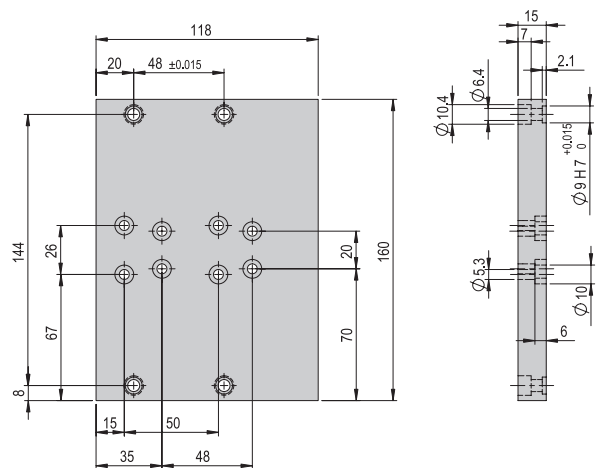


Included in the delivery

- 2x Centering bushing Ø9x4
- 4x Mounting screw M5x12
- 4x Mounting screw M5x16
- 4x Mounting screw M6x20
- 4x T-nut M5

Connection plate VP 135 VP 135

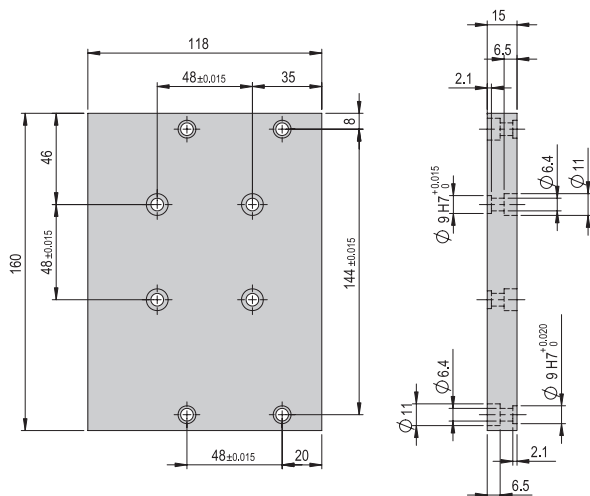
Order number 11014954
Net weight 0.747 kg



Included in the delivery

- 2x Centering bushing Ø9x4
- 4x Mounting screw M5x12
- 4x Mounting screw M5x16
- 4x Mounting screw M6x20
- 4x T-nut M5

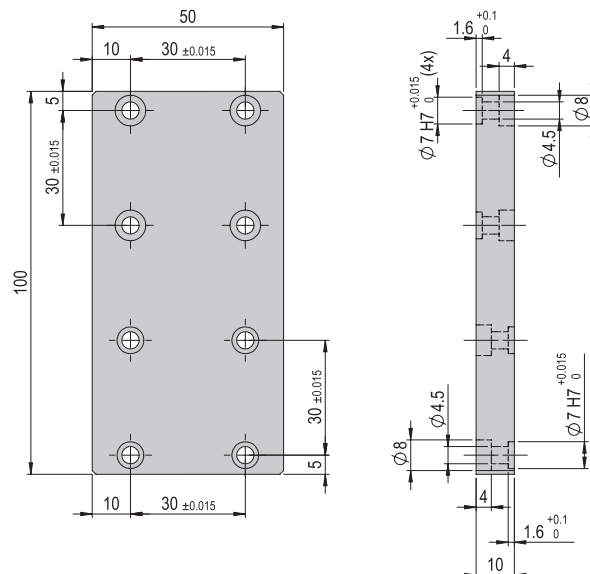
Connection plate VP 136	VP 136
Order number	11014931
Net weight	0.747 kg



Included in the delivery

- 4x Centering bushing Ø9x4
- 4x Mounting screw M6x16
- 4x Mounting screw M6x20

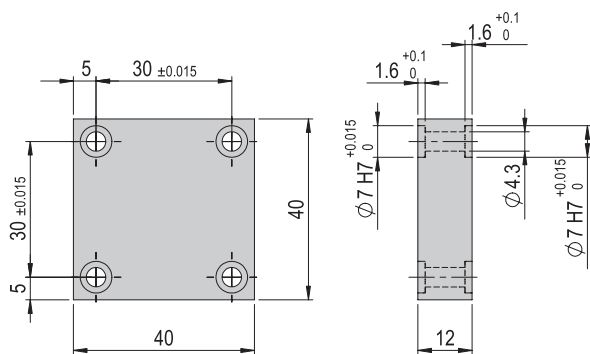
Connection plate VP 137	VP 137
Order number	50095813
Net weight	0.126 kg



Included in the delivery

- 4x Centering bushing Ø7x3
- 4x Mounting screw M4x10
- 8x Mounting screw M4x14

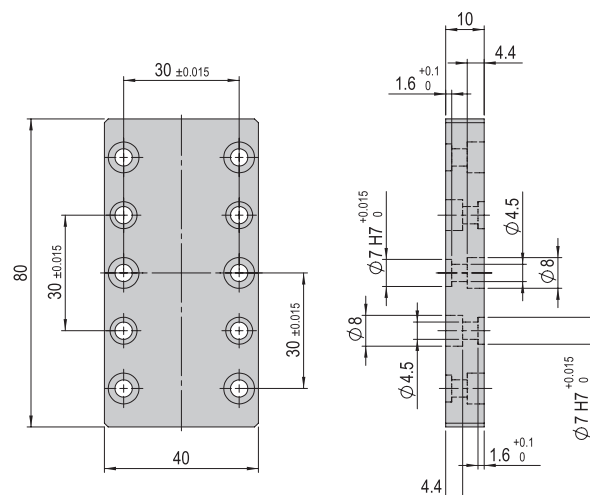
Connection plate VP 138	VP 138
Order number	50001370
Net weight	0.049 kg



Included in the delivery

- 2x Centering bushing Ø7x3
- 4x Mounting screw M4x30

Connection plate VP 139	VP 139
Order number	11017960
Net weight	0.078 kg



Included in the delivery

- 4x Centering bushing Ø7x3
- 8x Mounting screw M4x14

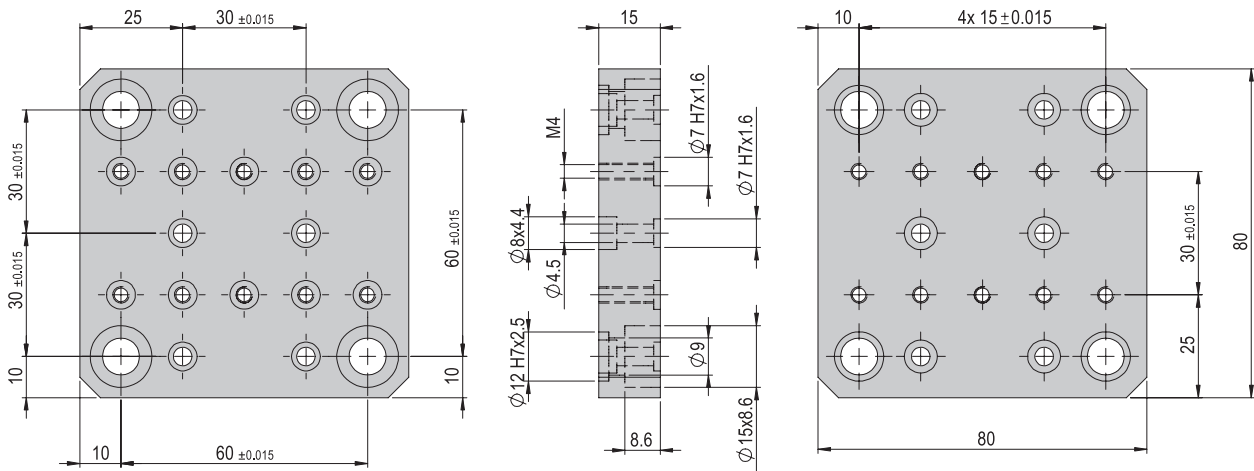
Note: Connection plate, angle plates, flange plates can also be manufactured by the customer itself, please have a look at our website www.afag.com where you can download shop drawings free of charge.

Order number

50214488

Net weight

0.3 kg



Included in the delivery

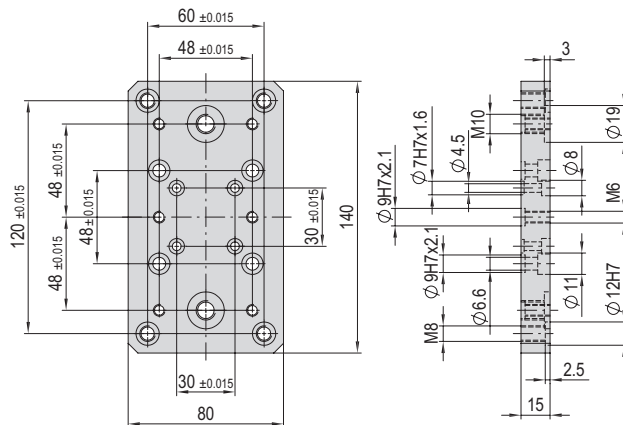
- 2x Centering bushing $\varnothing 7 \times 3$
- 2x Centering bushing $\varnothing 12 \times 4.8$
- 4x Mounting screw M4x18
- 4x Mounting screw M8x20

Order number

50272311

Net weight

0.465 kg



Included in the delivery

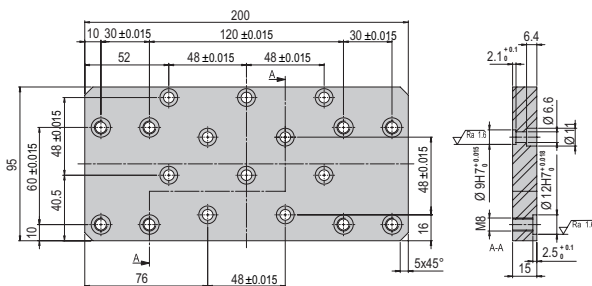
- 2x Centering bushing $\varnothing 9 \times 4$
- 4x Special screw M8 x 30/15
- 4x Mounting screw M4x20
- 4x Mounting screw M6x20

Order number

50272384

Net weight

0.789 kg



Included in the delivery

- 4x Centering bushing $\varnothing 9 \times 4$
- 4x Special screw M8 x 30/15
- 4x Mounting screw M6x20

Connection plate VP 144

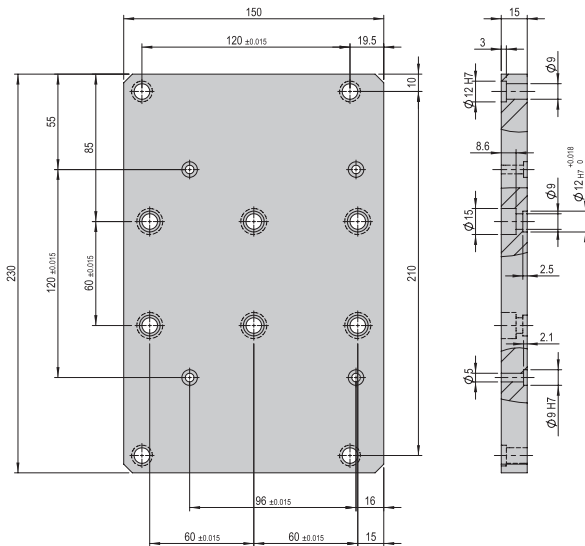
VP 144

Order number

50280005

Net weight

1.46 kg



Included in the delivery

- 2x Centering bushing $\varnothing 12 \times 4.8$
- 4x Mounting screw M6x20
- 4x Mounting screw M8x20
- 4x Mounting screw M8x30

Connection plate VP 145

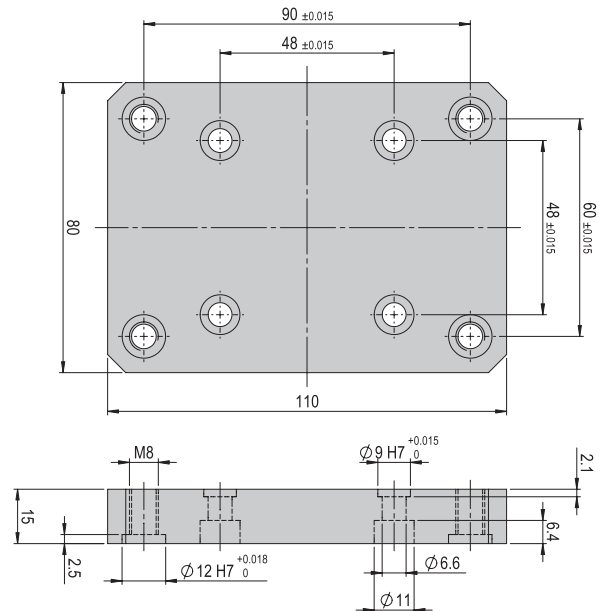
VP 145

Order number

50272309

Net weight

0.368 kg



Included in the delivery

- 2x Centering bushing $\varnothing 9 \times 4$
- 4x Mounting screw M6x20

Connection plate VP 146

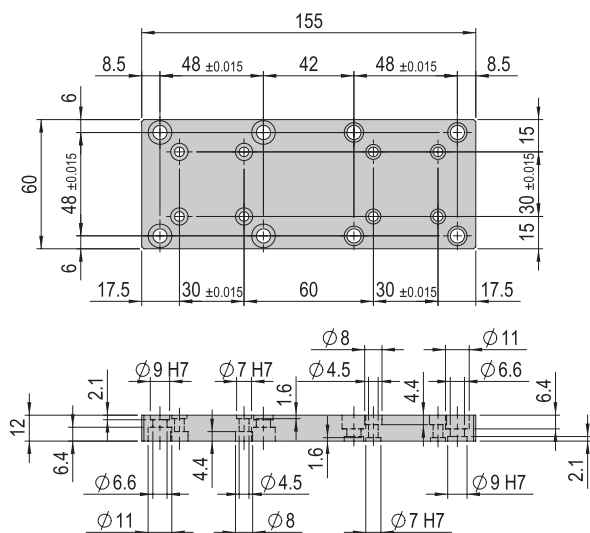
VP 146

Order number

50331960

Net weight

0.36 kg



Included in the delivery

- 4x Centering bushing $\varnothing 7 \times 3$
- 4x Centering bushing $\varnothing 9 \times 4$
- 8x Mounting screw M4x14
- 4x Mounting screw M6x12
- 8x Mounting screw M6x16

Connection plate VP 147

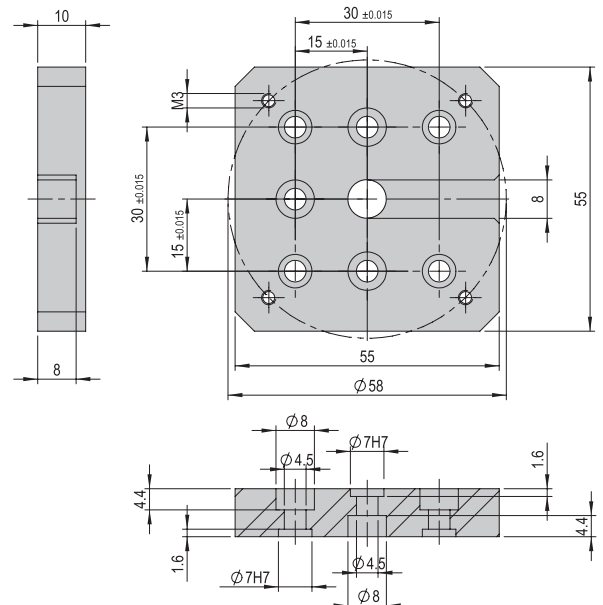
VP 147

Order number

50332006

Net weight

0.07 kg



Included in the delivery

- 2x Centering bushing $\varnothing 7 \times 3$
- 4x Mounting screw M4x14

Note: Connection plate, angle plates, flange plates can also be manufactured by the customer itself, please have a look at our website www.afag.com where you can download shop drawings free of charge.

Connection plate VP 148

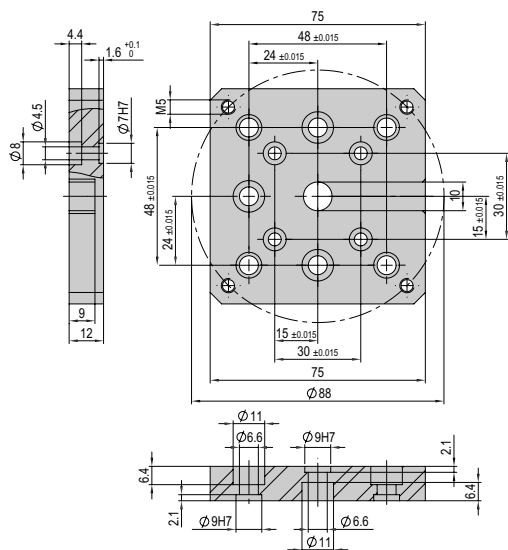
VP 148

Order number

50332008

Net weight

0.181 kg



Included in the delivery

- 2x Centering bushing $\Phi 9 \times 4$
- 4x Mounting screw M6x16

Connection plate VP 149

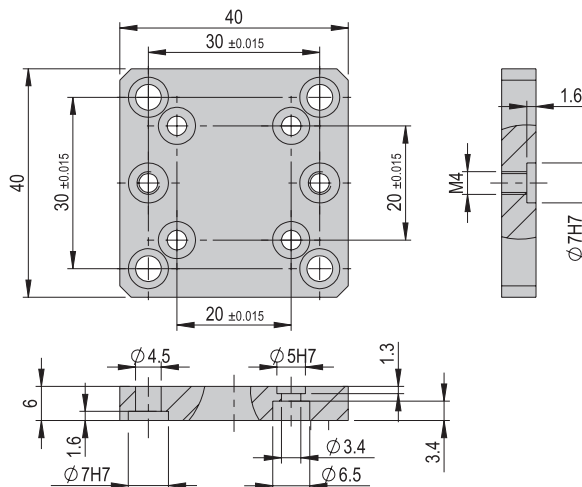
VP 149

Order number

50332010

Net weight

0.03 kg



Included in the delivery

- 2x Centering bushing $\Phi 7 \times 3$
- 4x Mounting screw M3x10
- 2x Mounting screw M4x10
- 4x Mounting screw M4x14
- 2x Centering bushing $\Phi 5 \times 2.5$

Connection plate VP 150

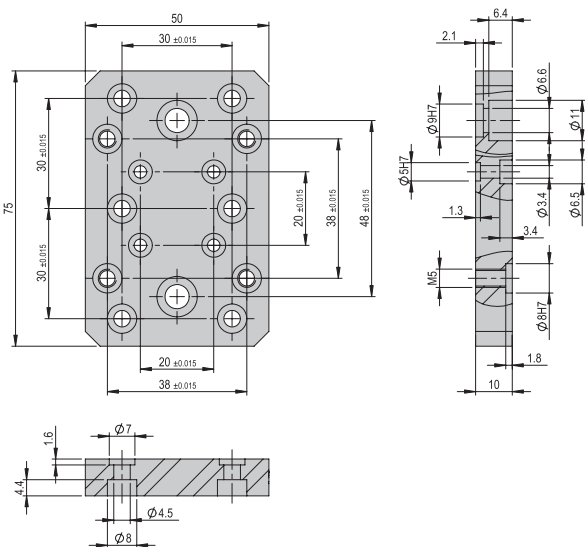
VP 150

Order number

50333787

Net weight

0.12 kg



Included in the delivery

- 2x Centering bushing $\Phi 7 \times 3$
- 2x Centering bushing $\Phi 9 \times 4$
- 4x Mounting screw M3x14
- 4x Mounting screw M4x12
- 2x Mounting screw M6x14
- 2x Centering bushing $\Phi 5 \times 2.5$

Connection plate VP 151

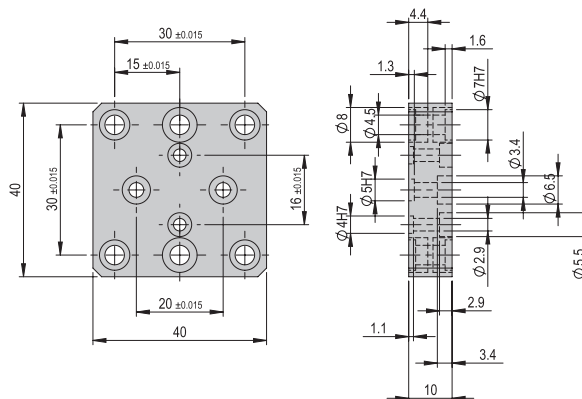
VP 151

Order number

50353062

Net weight

0.05 kg



Included in the delivery

- 2x Centering bushing $\Phi 7 \times 3$
- 2x Mounting screw M2.5x10
- 2x Mounting screw M3x10
- 6x Mounting screw M4x12

Connection plate VP 152

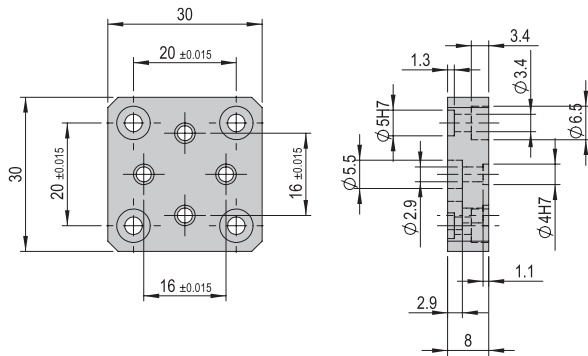
VP 152

Order number

50353197

Net weight

0.02 kg



Included in the delivery

- 2x Mounting screw M2.5x8
- 4x Mounting screw M3x10
- 2x Centering bushing Ø5x2.5

Connection plate VP 153

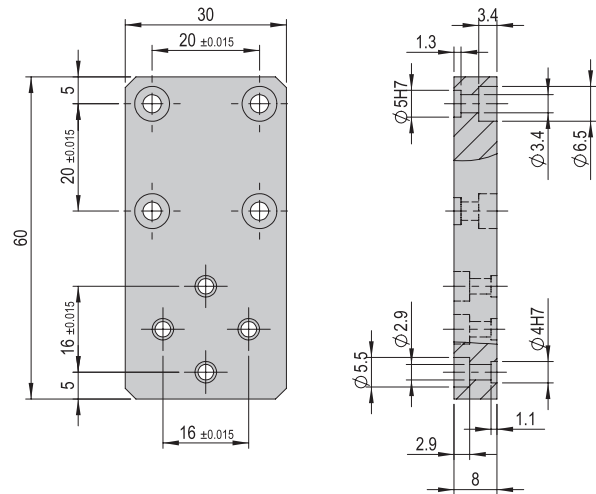
VP 153

Order number

50353229

Net weight

0.11 kg



Included in the delivery

- 2x Mounting screw M2.5x8
- 4x Mounting screw M3x10
- 2x Centering bushing Ø5x2.5

Connection plate VP 154

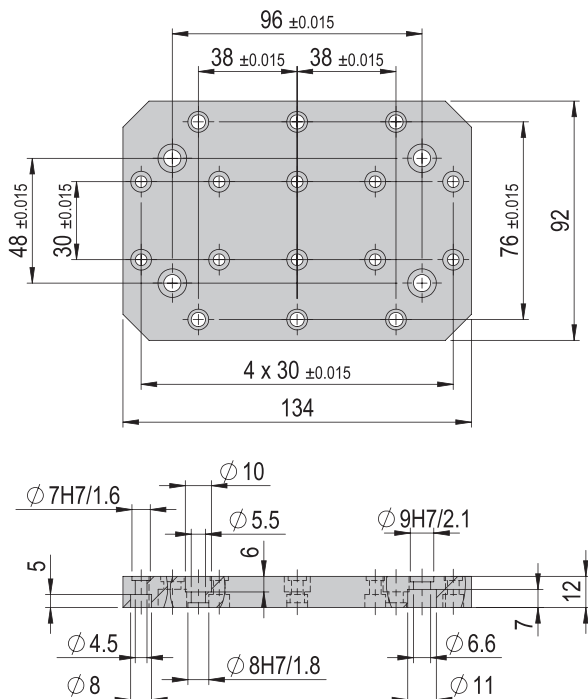
VP 154

Order number

50400907

Net weight

0.418 kg



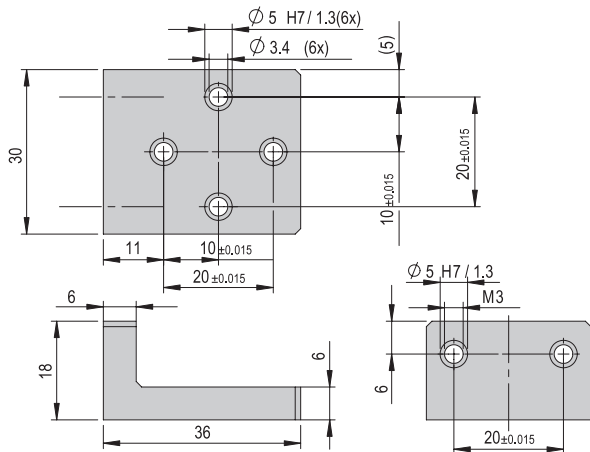
Included in the delivery

- 2x Centering bushing Ø7x3
- 2x Centering bushing Ø9x4
- 4x Mounting screw M4x14
- 6x Mounting screw M5x16
- 4x Mounting screw M6x16
- 2x Centering bushing Ø8x3.5

Note: Connection plate, angle plates, flange plates can also be manufactured by the customer itself, please have a look at our website www.afag.com where you can download shop drawings free of charge.

Angle plates VW

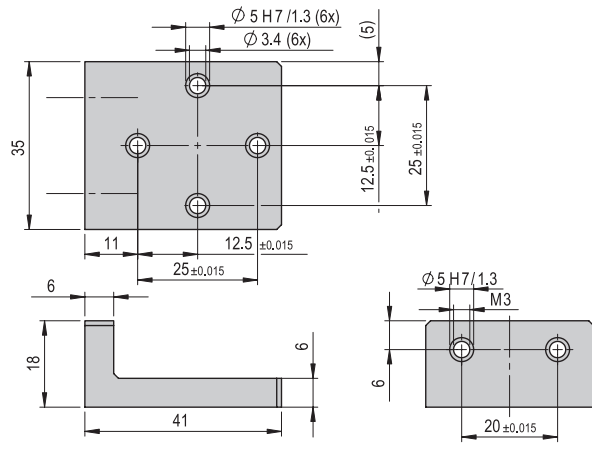
Angle plate VW 300	VW 300
Order number	50077143
Net weight	0.022 kg



Included in the delivery

- 2x Mounting screw M3x12
- 2x Centering bushing $\varnothing 5 \times 2.5$

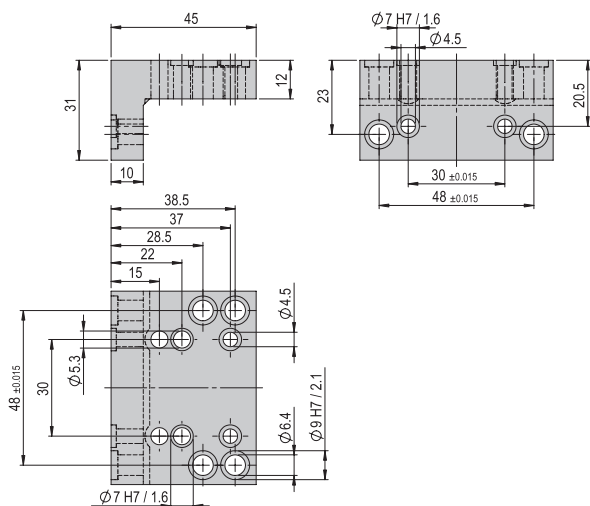
Angle plate VW 301	VW 301
Order number	50077144
Net weight	0.029 kg



Included in the delivery

- 2x Mounting screw M3x12
- 2x Centering bushing $\varnothing 5 \times 2.5$

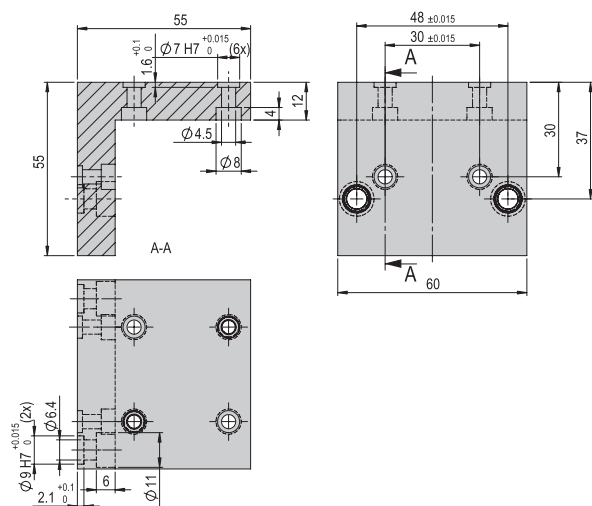
Angle plate VW 302	VW 302
Order number	11012241
Net weight	0.183 kg



Included in the delivery

- 4x Centering bushing $\varnothing 9 \times 4$
- 2x Mounting screw M4x18
- 2x Mounting screw M5x20
- 4x Mounting screw M6x18
- 4x Mounting screw M6x25
- 2x Ribbed washer M4
- 2x Ribbed washer M5
- 8x Ribbed washer M6

Angle plate VW 303	VW 303
Order number	50077145
Net weight	0.182 kg



Included in the delivery

- 2x Centering bushing $\varnothing 7 \times 3$
- 2x Centering bushing $\varnothing 9 \times 4$
- 6x Mounting screw M4x14
- 2x Mounting screw M6x18

Angle plate VW 304

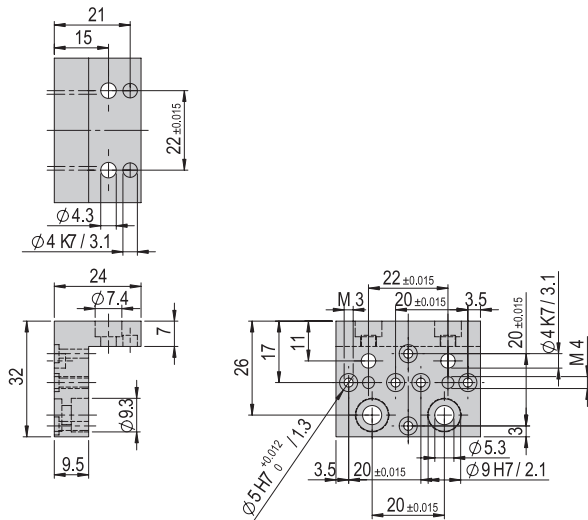
VW 304

Order number

11010702

Net weight

0.038 kg



Included in the delivery

- 2x Centering pin $\varnothing 4 \times 6$
- 2x Centering bushing $\varnothing 9 \times 4$
- 2x Mounting screw M4x8
- 2x Mounting screw M5x16

Angle plate VW 305

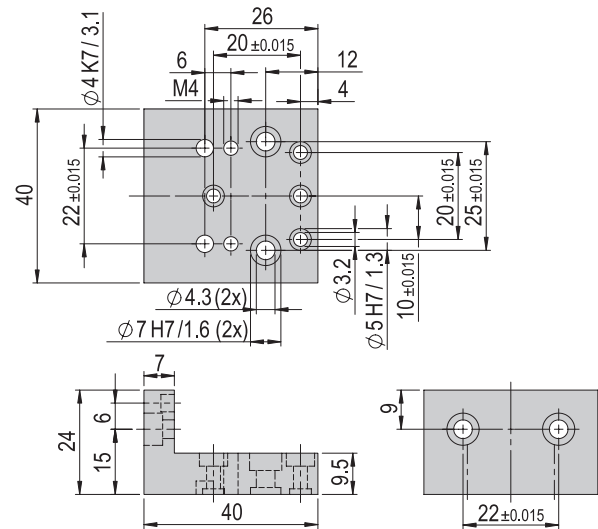
VW 305

Order number

50077224

Net weight

0.046 kg



Included in the delivery

- 2x Centering pin $\varnothing 4 \times 6$
- 2x Mounting screw M3x10
- 2x Mounting screw M3x16
- 2x Mounting screw M4x8
- 2x Centering bushing $\varnothing 5 \times 2.5$

Angle plate VW 308

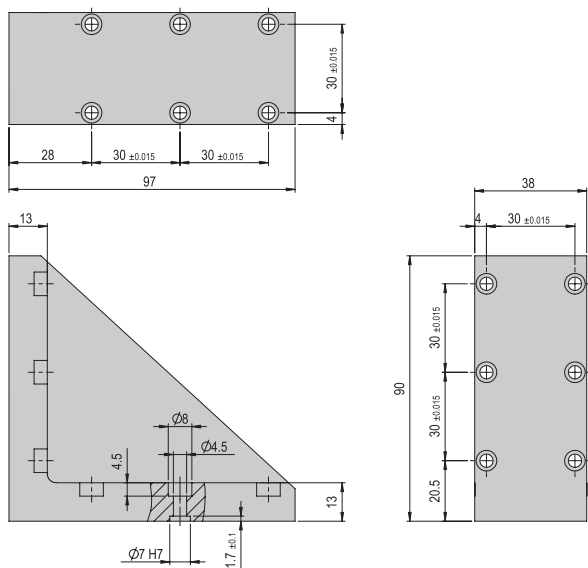
VW 308

Order number

50205299

Net weight

0.35 kg



Included in the delivery

- 4x Centering bushing $\varnothing 7 \times 3$
- 6x Mounting screw M4x14
- 6x Mounting screw M4x20

Angle plate VW 310

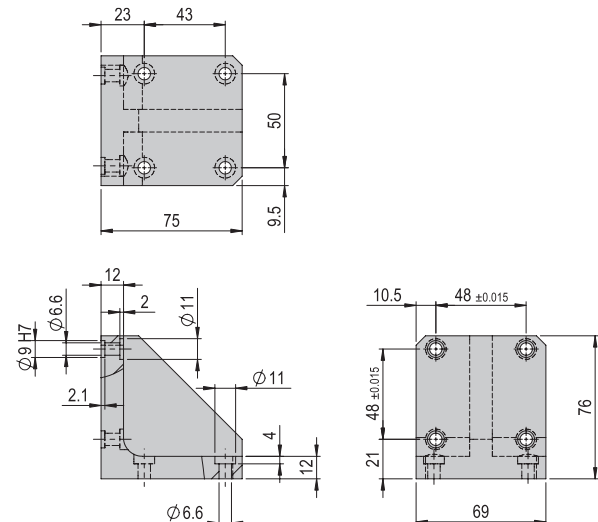
VW 310

Order number

50254008

Net weight

0.462 kg



Included in the delivery

- 2x Centering bushing $\varnothing 9 \times 4$
- 2x Mounting screw M6x16
- 4x Mounting screw M6x20
- 4x T-nut M6

Note: Connection plate, angle plates, flange plates can also be manufactured by the customer itself, please have a look at our website www.afag.com where you can download shop drawings free of charge.

Angle plate VW 311

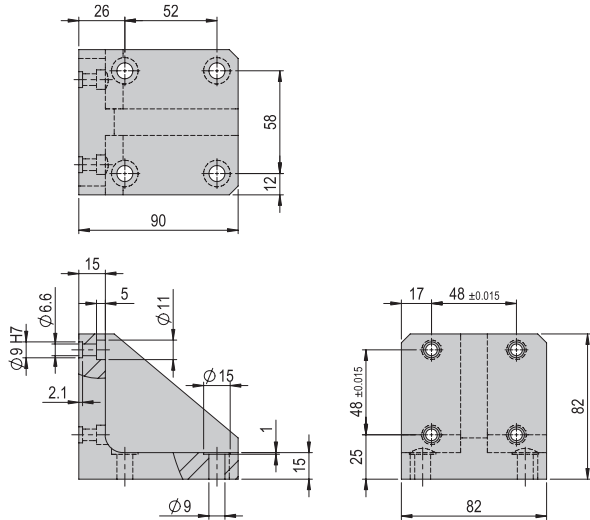
VW 311

Order number

50254009

Net weight

0.765 kg



Included in the delivery

- 2x Centering bushing $\text{\O}9 \times 4$
- 4x Mounting screw M6x25
- 4x Mounting screw M8x25
- 4x T-nut M8

Angle plate VW 312

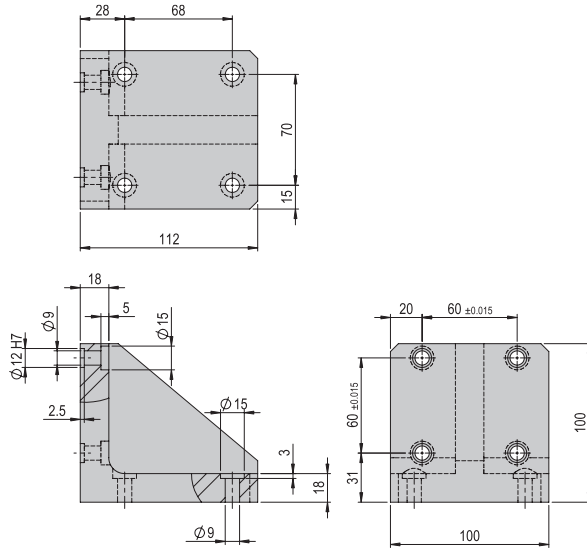
VW 312

Order number

50254010

Net weight

1.313 kg



Included in the delivery

- 2x Centering bushing $\text{\O}12 \times 4.8$
- 4x Mounting screw M8x25
- 4x Mounting screw M8x30
- 4x T-nut M8

Angle plate VW 313

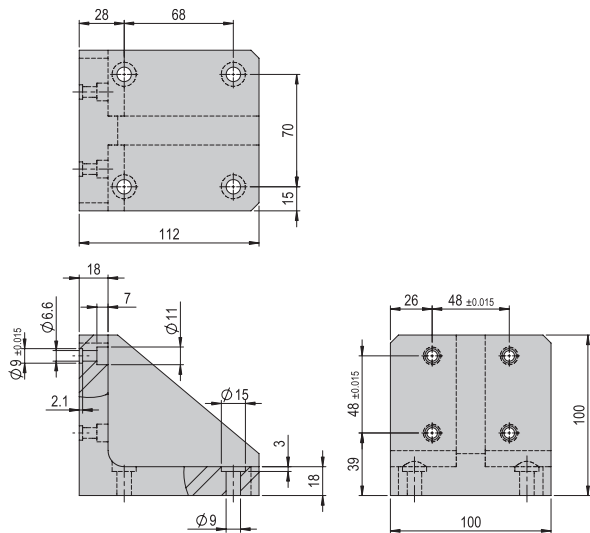
VW 313

Order number

50254011

Net weight

1.277 kg



Included in the delivery

- 2x Centering bushing $\text{\O}9 \times 4$
- 4x Mounting screw M6x30
- 4x Mounting screw M8x25
- 4x T-nut M8

Angle plate VW 314

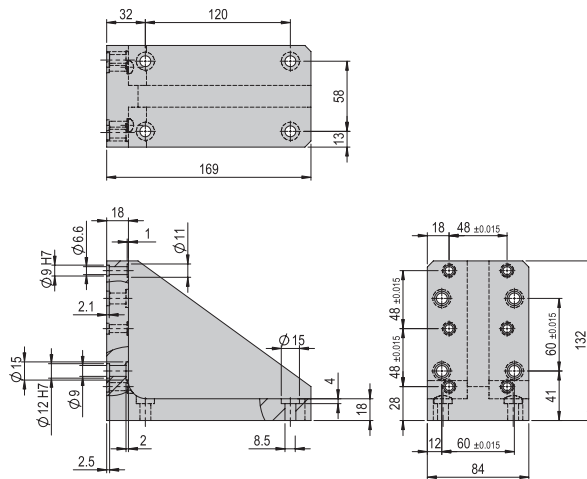
VW 314

Order number

50254012

Net weight

1.758 kg



Included in the delivery

- 2x Centering bushing $\text{\O}9 \times 4$
- 4x Mounting screw M6x30
- 4x Mounting screw M8x25
- 4x T-nut M8

Angle plate VW 315

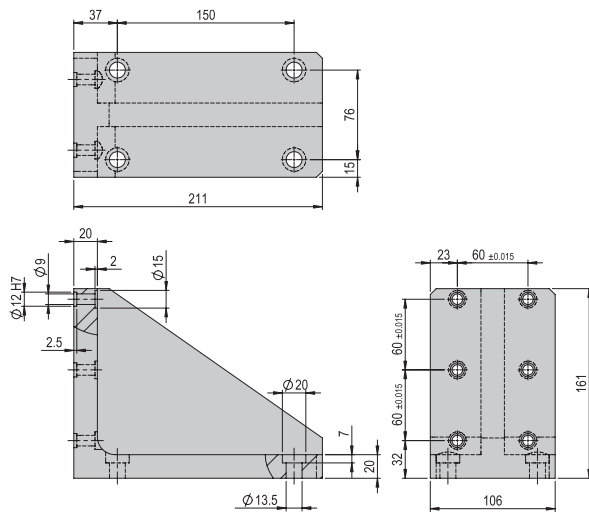
VW 315

Order number

50254013

Net weight

3.075 kg



Included in the delivery

- 2x Centering bushing $\phi 12 \times 4.8$
- 4x Mounting screw M8x35
- 4x Mounting screw M10x20
- 4x T-nut M10

Angle plate VW 316

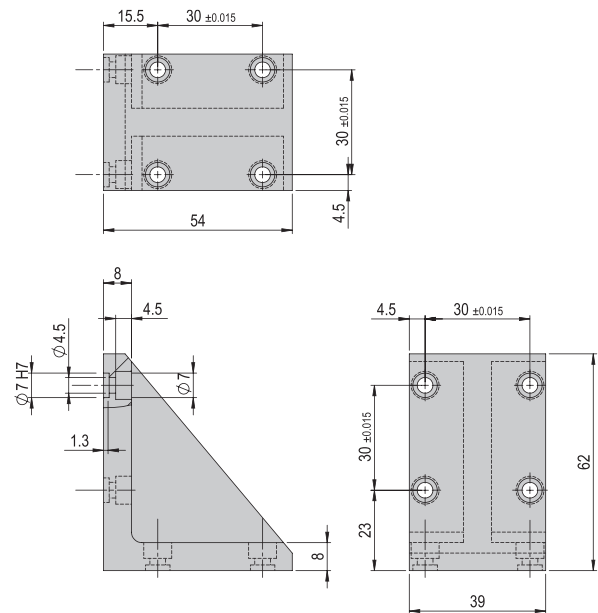
VW 316

Order number

50279234

Net weight

0.21 kg



Included in the delivery

- 2x Centering bushing $\phi 7 \times 3$
- 4x Mounting screw M4x14
- 4x Mounting screw M4x20

Angle plate VW 317

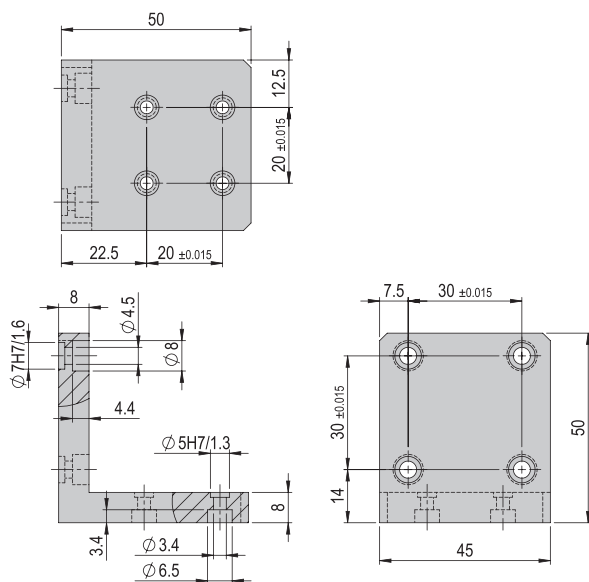
VW 317

Order number

50373127

Net weight

0.099 kg



Included in the delivery

- 2x Centering bushing $\phi 7 \times 3$
- 4x Mounting screw M3x12
- 4x Mounting screw M4x12
- 2x Centering bushing $\phi 5 \times 2.5$

Angle plate VW 318

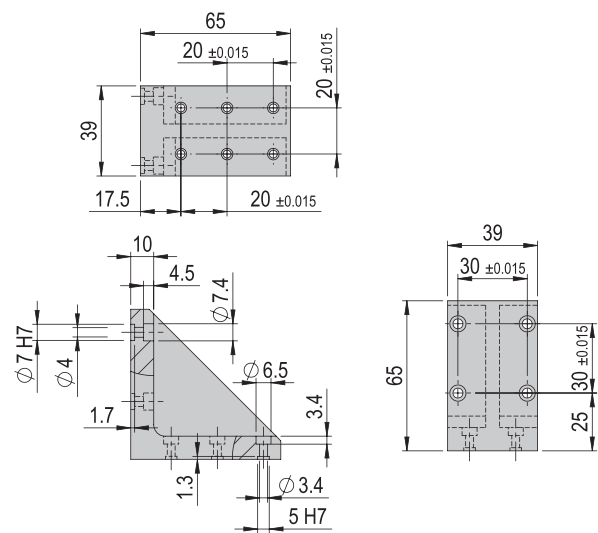
VW 318

Order number

50390283

Net weight

0.162 kg



Included in the delivery

- 2x Centering bushing $\phi 7 \times 3$
- 6x Mounting screw M3x14
- 4x Mounting screw M4x14
- 2x Centering bushing $\phi 5 \times 2.5$

Note: Connection plate, angle plates, flange plates can also be manufactured by the customer itself, please have a look at our website www.afag.com where you can download shop drawings free of charge.

Angle plate VW 319

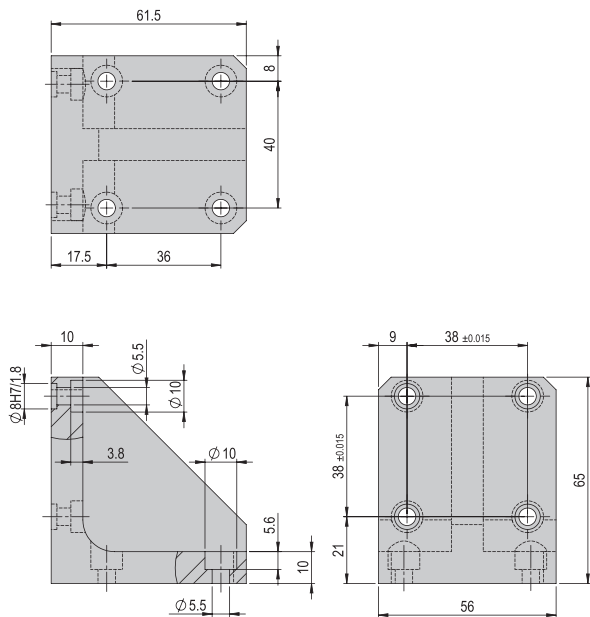
VW 319

Order number

50396474

Net weight

0.25 kg



Included in the delivery

- 2x Centering bushing Ø8x3.5
- 4x Mounting screw M5x10
- 4x Mounting screw M5x16
- 4x T-nut M5

Angle plate VW 320

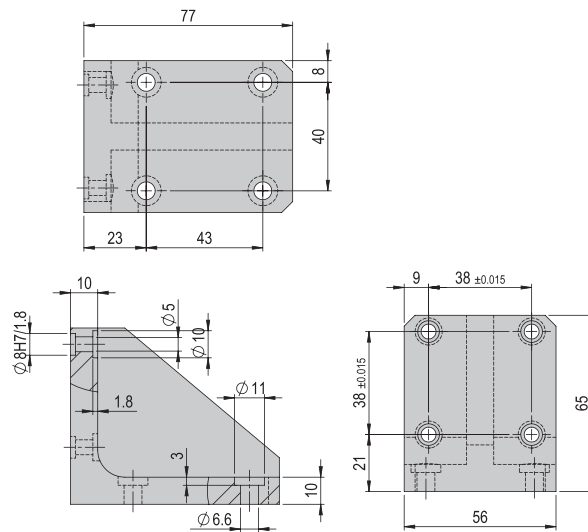
VW 320

Order number

50396475

Net weight

0.32 kg



Included in the delivery

- 4x Mounting screw M5x18
- 2x Centering bushing Ø8x3.5
- 4x Mounting screw M6x16
- 4x T-nut M6

Angle plate VW 321

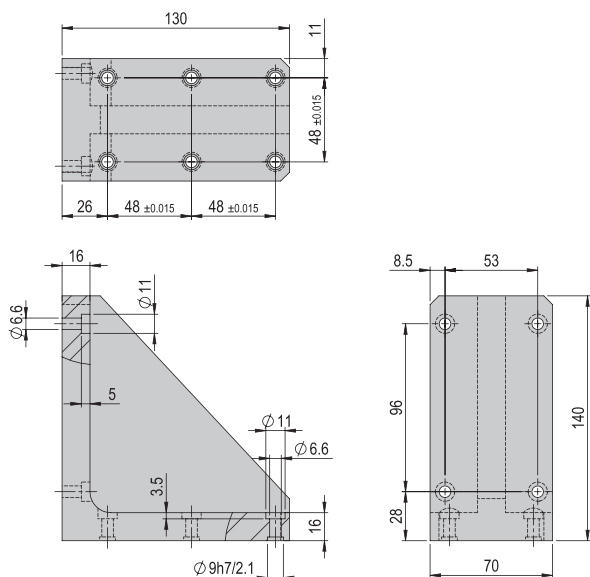
VW 321

Order number

50396476

Net weight

1.19 kg

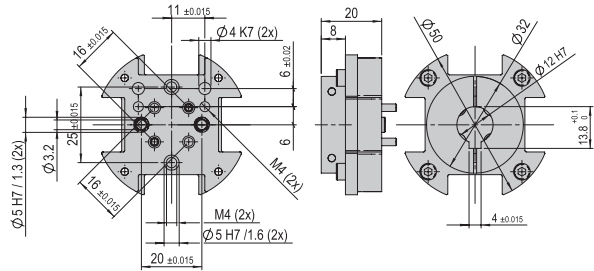


Included in the delivery

- 2x Centering bushing Ø9x4
- 4x Mounting screw M6x20
- 6x Mounting screw M6x25
- 4x T-nut M6

Flange plates VF

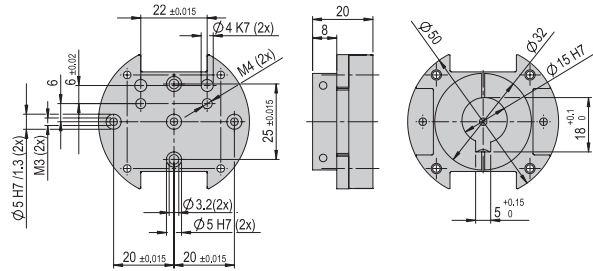
Flange plate VF 400	VF 400
Order number	50077146
Net weight	0.06 kg



Included in the delivery

- 2x Mounting screw M2.5x10
- 2x Mounting screw M3x12
- 2x Centering bushing $\varnothing 5$ x2.5

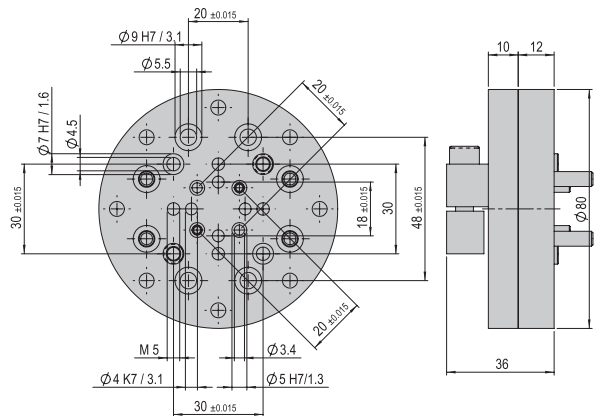
Flange plate VF 401	VF 401
Order number	50077147
Net weight	0.064 kg



Included in the delivery

- 2x Mounting screw M3x12
- 2x Centering bushing $\varnothing 5$ x2.5

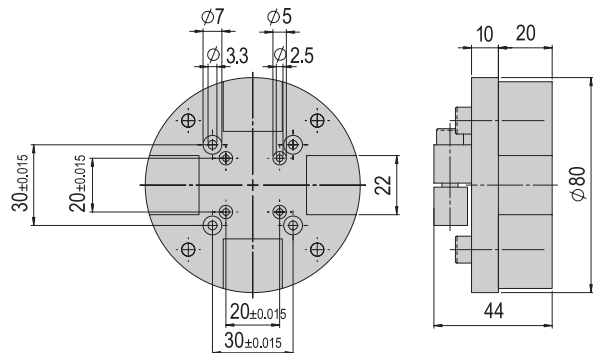
Flange plate VF 403	VF 403
Order number	50077217
Net weight	0.039 kg



Included in the delivery

- 2x Centering bushing $\varnothing 7$ x3
- 2x Centering bushing $\varnothing 9$ x4
- 2x Mounting screw M3x14
- 4x Mounting screw M4x16
- 4x Mounting screw M5x20

Flange plate VF 404	VF 404
Order number	50077218
Net weight	0.374 kg



Included in the delivery

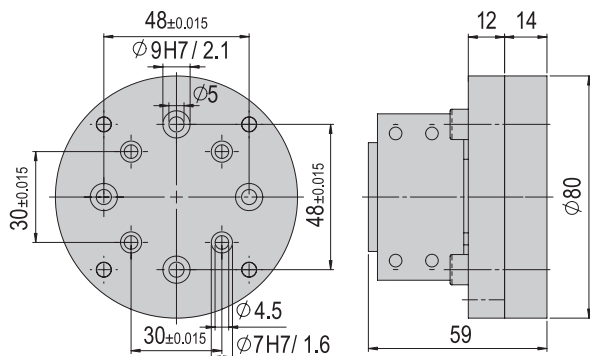
- 2x Centering bushing $\varnothing 9$ x4
- 4x Mounting screw M5x25

Note: Connection plate, angle plates, flange plates can also be manufactured by the customer itself, please have a look at our website www.afag.com where you can download shop drawings free of charge.

Flange plate VF 405 VF 405

Order number 50077219

Net weight 0.527 kg



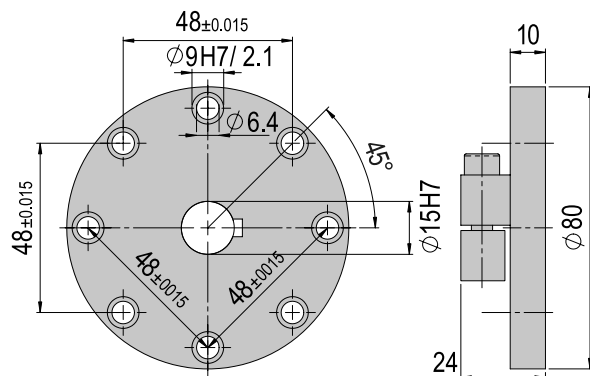
Included in the delivery

- 4x Mounting screw M4x20

Flange plate VF 406 VF 406

Order number 50077220

Net weight 0.173 kg



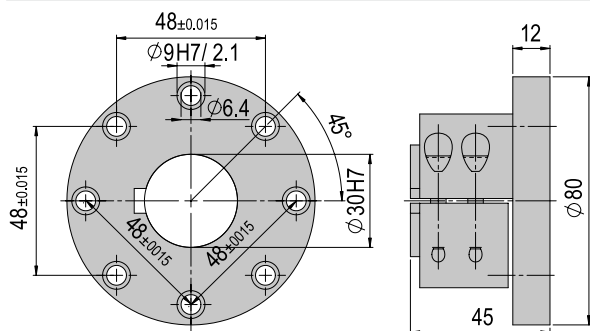
Included in the delivery

- 2x Centering bushing Ø9x4
- 4x Mounting screw M6x18
- 4x Mounting screw M6x25

Flange plate VF 407 VF 407

Order number 11001847

Net weight 0.274 kg



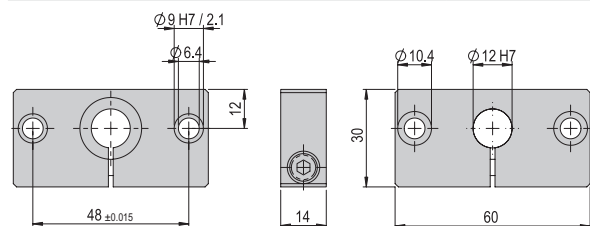
Included in the delivery

- 2x Centering bushing Ø9x4
- 4x Mounting screw M6x25

Flange plate VF 409 VF 409

Order number 11001825

Net weight 0.075 kg



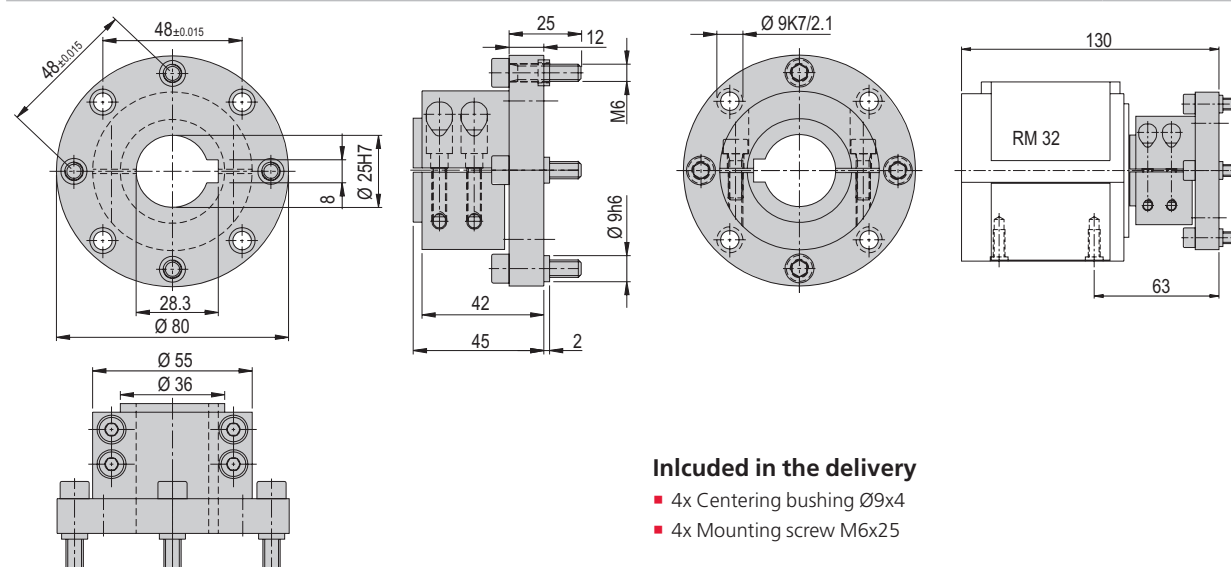
Included in the delivery

- 2x Centering bushing Ø9x4
- 4x Mounting screw M6x20

Flange plate VF 410 VF 410

Order number 11001821

Net weight 0.32 kg



Included in the delivery

- 4x Centering bushing Ø9x4
- 4x Mounting screw M6x25

Connecting set VS

Connecting set VS 500	VS 500
Order number	50074821
Net weight	0.01 kg

Included in the delivery

- 4x Special screw M4 x 18/9

Connecting set VS 502	VS 502
Order number	50074823
Net weight	0.01 kg

Included in the delivery

- 4x Special screw M6 x 20/11

Connecting set VS 504	VS 504
Order number	50074825
Net weight	0.18 kg

Included in the delivery

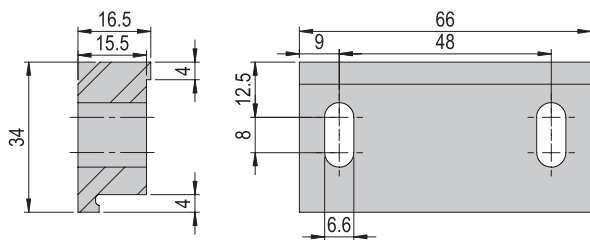
- 4x Mounting screw M8x30
- 4x Mounting screw M8x40
- 4x T-nut M8

Connecting set VS 506	VS 506
Order number	50077086
Net weight	0.01 kg

Included in the delivery

- 2x Special screw M6 x 36/8

Connecting set VS 508	VS 508
Order number	50254005
Net weight	0.077 kg
Suitable for	PEZ-65



Included in the delivery

- 4x Mounting screw M6x30
- 2x Washer M6
- 1x Clamping jaws PEZ-65

Connecting set VS 501	VS 501
Order number	50074822
Net weight	0.01 kg

Included in the delivery

- 4x Special screw M6 x 36/8

Connecting set VS 503	VS 503
Order number	50074824
Net weight	0.005 kg

Included in the delivery

- 2x Special screw M3 x 10/4

Connecting set VS 505	VS 505
Order number	50074827
Net weight	0.044 kg

Included in the delivery

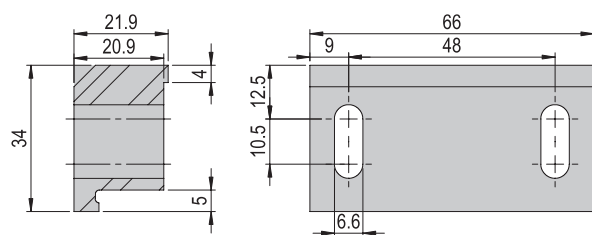
- 4x Mounting screw M4x25
- 4x Mounting screw M5x35
- 4x T-nut M4

Connecting set VS 507	VS 507
Order number	50077087
Net weight	0.01 kg

Included in the delivery

- 2x Special screw M6 x 56/11

Connecting set VS 509	VS 509
Order number	50254006
Net weight	0.287 kg
Suitable for	PEZ-80, PEZ-100, PDZ-160

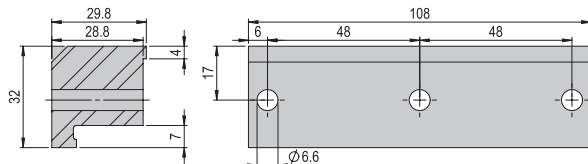


Included in the delivery

- 2x Mounting screw M6x35
- 2x Washer M6
- 1x Clamping jaws PEZ-80/100 PDZ-160

Connecting set VS

Connecting set VS 510	VS 510
Order number	50254007
Net weight	0.256 kg
Suitable for	PDZ-200



Included in the delivery

- 3x Mounting screw M6x45
- 2x Washer M6
- 1x Clamping jaws PDZ-200

Connecting set VS 511	VS 511
Order number	50332465
Net weight	0.03 kg

Included in the delivery

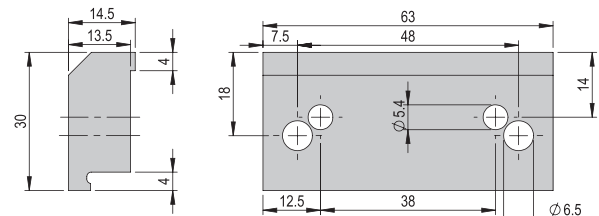
- 2x Special screw M6 x 25/9

Connecting set VS 512	VS 512
Order number	50353058
Net weight	0.01 kg

Included in the delivery

- 2x Special screw M4 x 16/5

Connecting set VS 513	VS 513
Order number	50396482
Net weight	0.089 kg
Suitable for	PEZ-52, PDZ-128



Included in the delivery

- 2x Mounting screw M5x25
- 2 Mounting screw M6x25
- 2x Washer M5
- 2x Washer M6
- 1x Clamping jaws PEZ-52 & PDZ-128

Connecting set VS 514	VS 514
Order number	50401765
Net weight	0.005 kg

Included in the delivery

- 2x Special screw M2.5 x 10/5

Connecting set VS 515	VS 515
Order number	50403642
Net weight	0.05 kg

Included in the delivery

- 2x Special screw M2.5 x 22/5-10

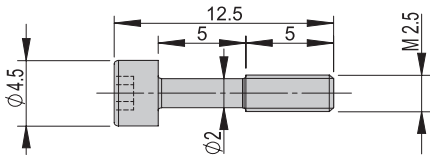
Note: Connection plate, angle plates, flange plates can also be manufactured by the customer itself, please have a look at our website www.afag.com where you can download shop drawings free of charge.

Special screws

Special screw M2.5x10/5

Order number 50389779

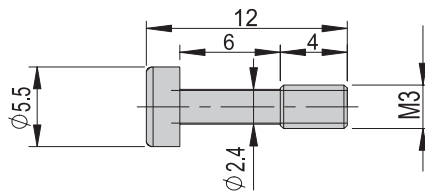
Net weight 0.001 kg



Special screw M3x10/4

Order number 50040978

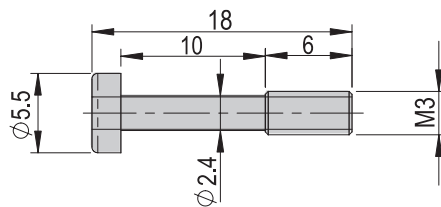
Net weight 0.001 kg



Special screw M3x16/6

Order number 50035812

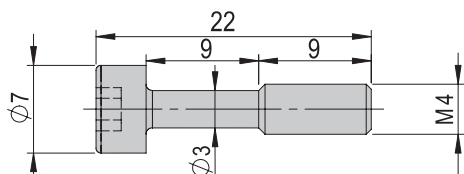
Net weight 0.001 kg



Special screw M4x18/9

Order number 50001373

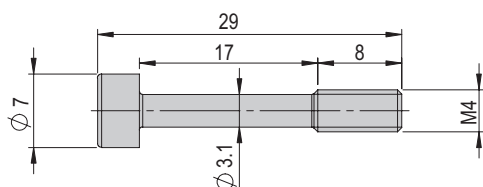
Net weight 0.002 kg



Special screw M4x25/8

Order number 50060095

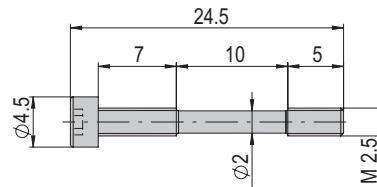
Net weight 0.002 kg



Special screw M2.5x22/5-10

Order number 50403640

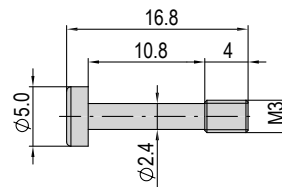
Net weight 0.001 kg



Special screw M3x14.8/4

Order number 50473379

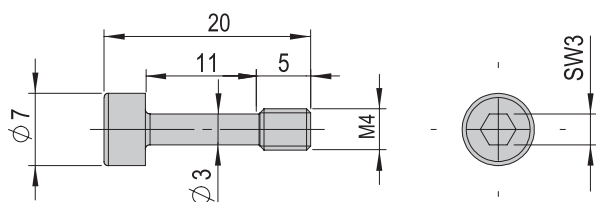
Net weight 0.001 kg



Special screw M4x16/5

Order number 50353043

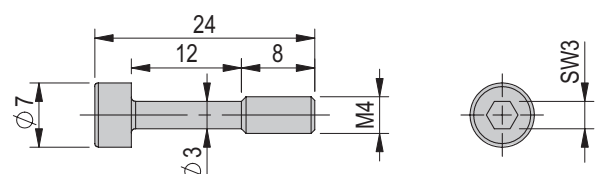
Net weight 0.002 kg



Special screw M4x20/8

Order number 50101005

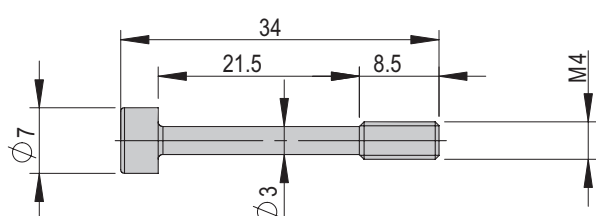
Net weight 0.002 kg



Special screw M4x30/8.5

Order number 50001374

Net weight 0.003 kg

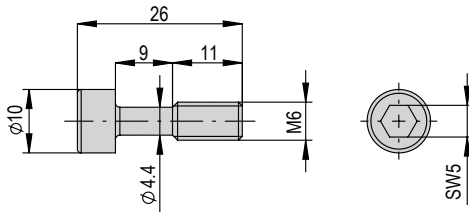


Special screws

Special screw M6x20/11

Order number 50035662

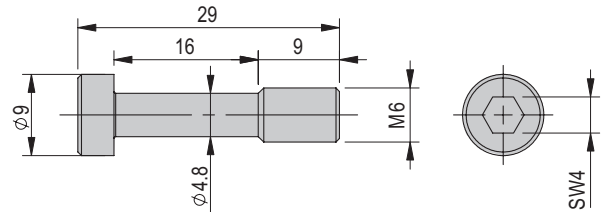
Net weight 0.006 kg



Special screw M6x25/9

Order number 50101720

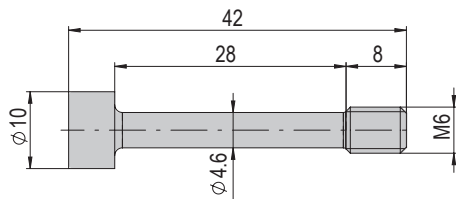
Net weight 0.005 kg



Special screw M6x36/8

Order number 11005014

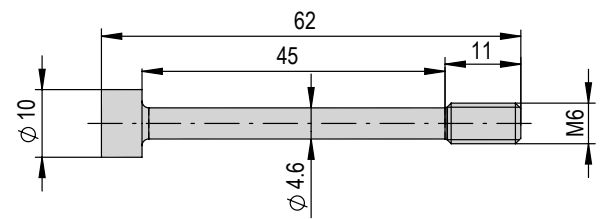
Net weight 0.001 kg



Special screw M6x56/11

Order number 11005015

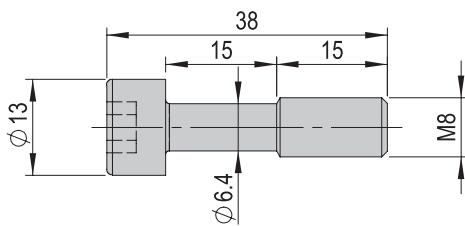
Net weight 0.001 kg



Special screw M8x30/15

Order number 50332560

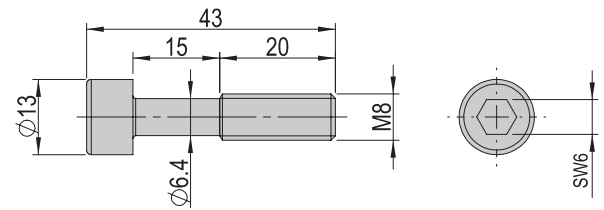
Net weight 0.016 kg



Special screw M8x35/15

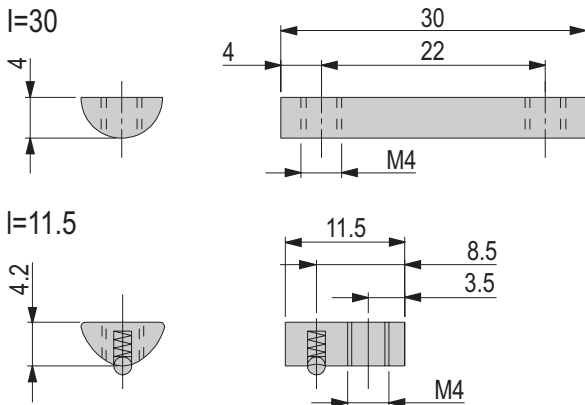
Order number 50244904

Net weight 0.002 kg

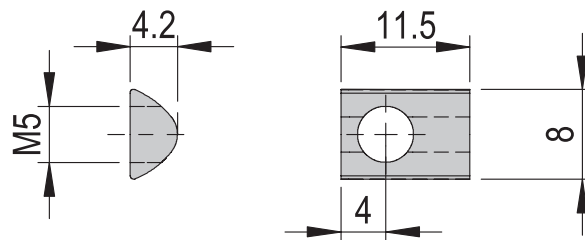


T-nuts

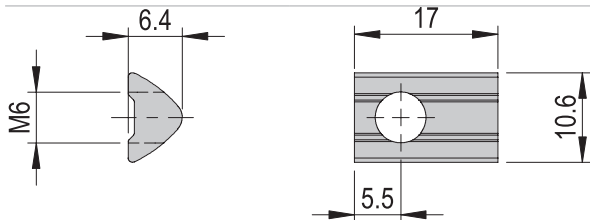
T-nuts M4	long	short
Order number	11014646	11002448
Net weight	0.01 kg	0.01 kg
Suitable for	PMP-c	PMP-c



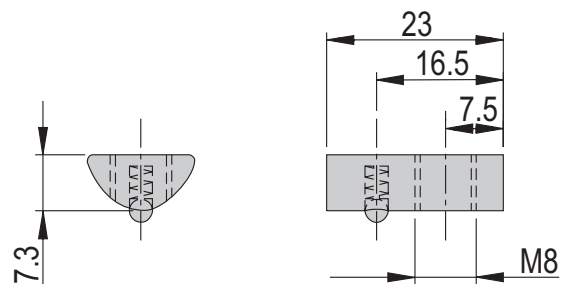
T-nut M5	
Order number	11011070
Net weight	0.001 kg
Suitable for	PEZ-52 PEZ-65, PDZ-128 side slot



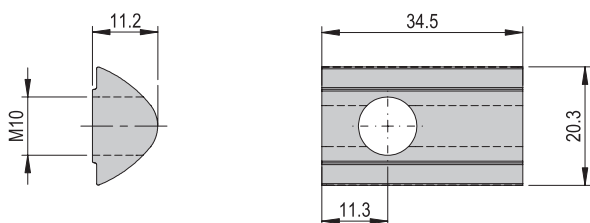
T-nut M6	
Order number	50252676
Net weight	0.004 kg
Suitable for	PEZ-65 PEZ-80, PEZ-100, PDZ-160 side slot PDZ-128 bottom



T-nut M8	
Order number	11002452
Net weight	0.009 kg
Suitable for	PEZ-80, PEZ-100, PDZ-160, PMP PDZ-200 side slot



T-nut M10	
Order number	50252678
Net weight	0.035 kg
Suitable for	PDZ-200



Program for supports/columns

Ø25 mm - Ø45 mm

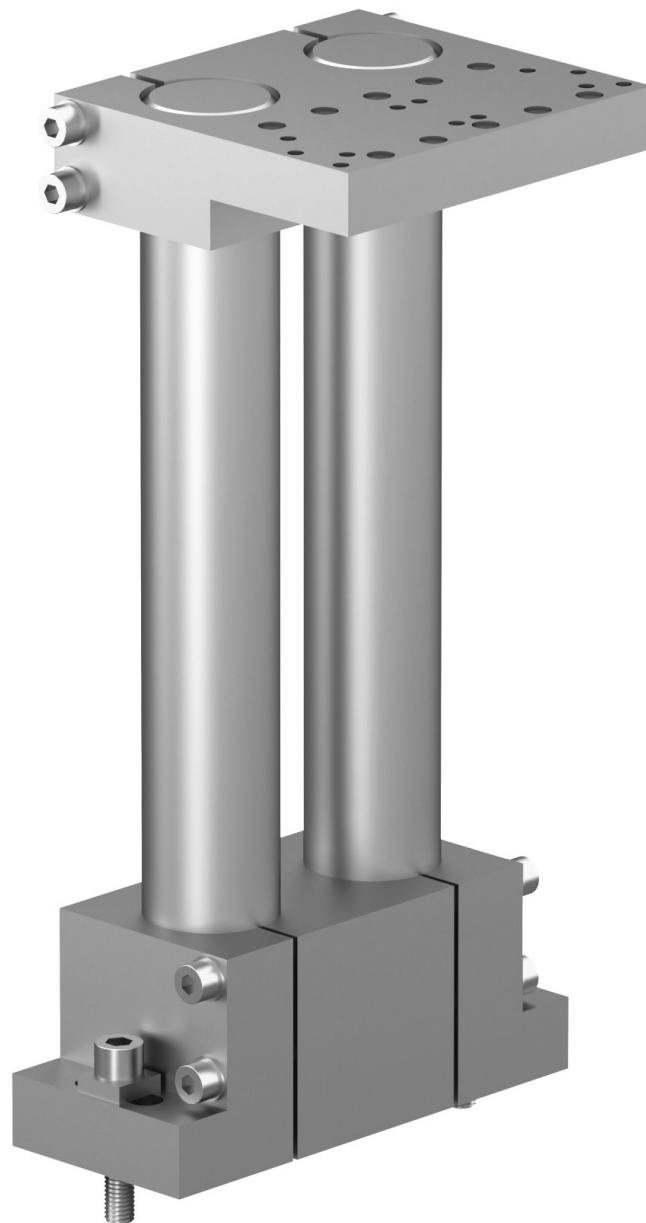


Table of contents: Program for supports/columns

Program for supports/columns	Page
Program for supports/columns Ø 25 mm	37
Program for supports/columns Ø 45 mm	42

Program for supports/columns Ø 25 mm

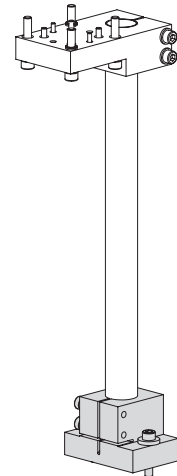
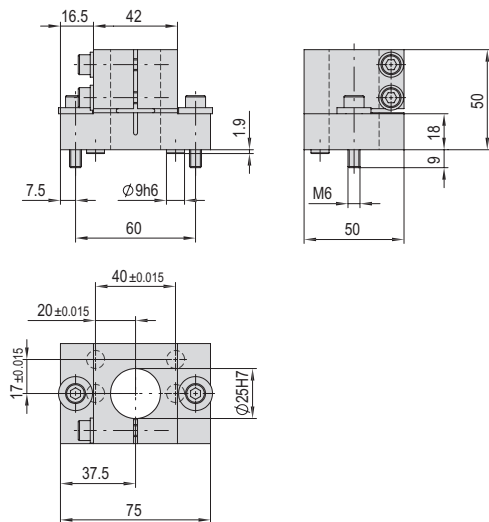
Single column support d25

Order number

11006862

Net weight

0.33 kg



Included in the delivery

- 2x Centering bushing Ø9x4
- 2x Mounting screw M6x35
- 2x Washer M6

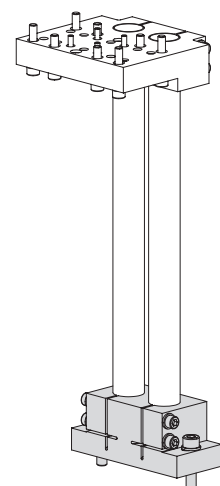
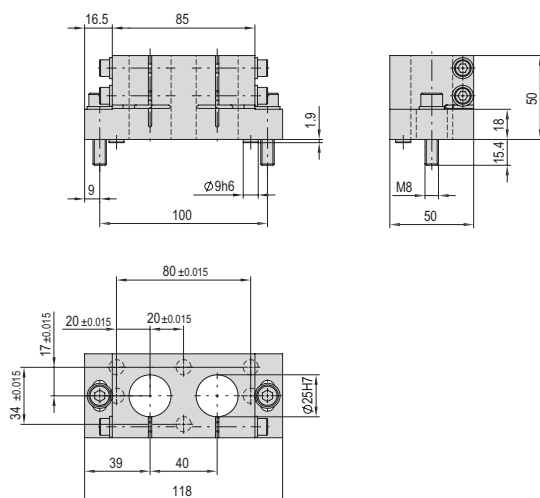
Double column support d25

Order number

11013417

Net weight

0.5 kg



Included in the delivery

- 2x Centering bushing Ø9x4
- 2x Mounting screw M8 x 35
- 2x Washer M8

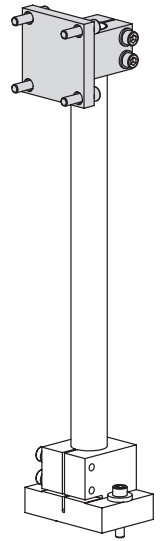
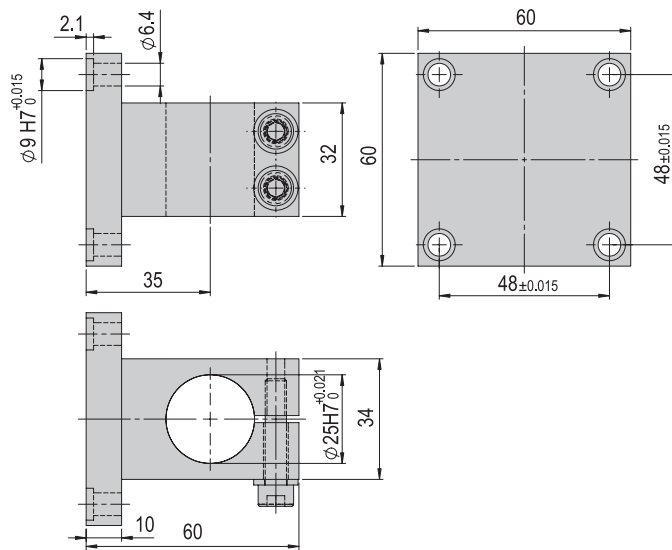
MH 25x1 Module support

Order number

11013415

Net weight

0.25 kg



2

Included in the delivery

- 4x Mounting screw M6x25
- 4x Ribbed washer M6

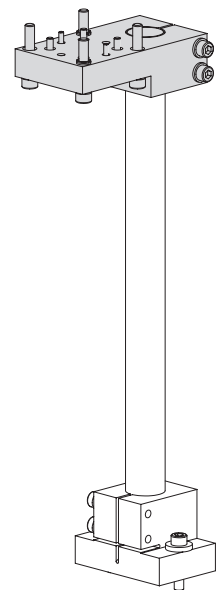
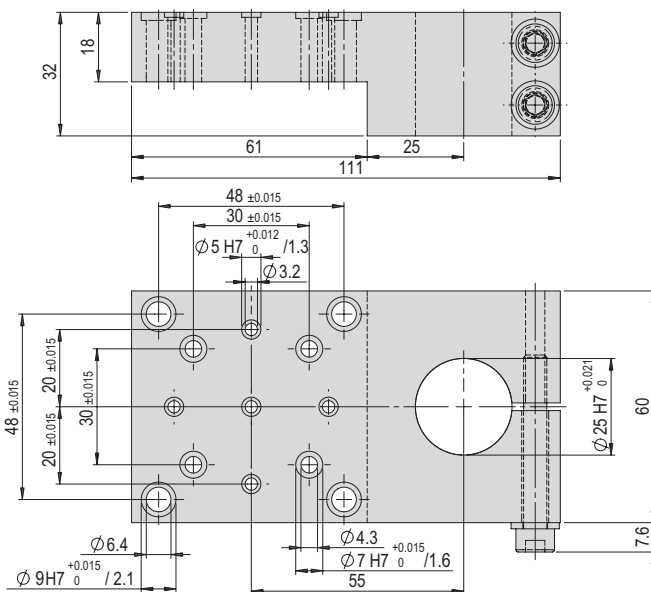
MT 25x1 Single module support

Order number

11013412

Net weight

0.45 kg



Included in the delivery

- 2x Mounting screw M3x25
- 4x Mounting screw M4x25
- 4x Mounting screw M6x35
- 4x Ribbed washer M6

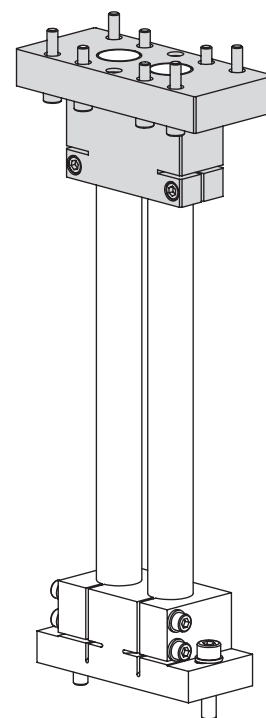
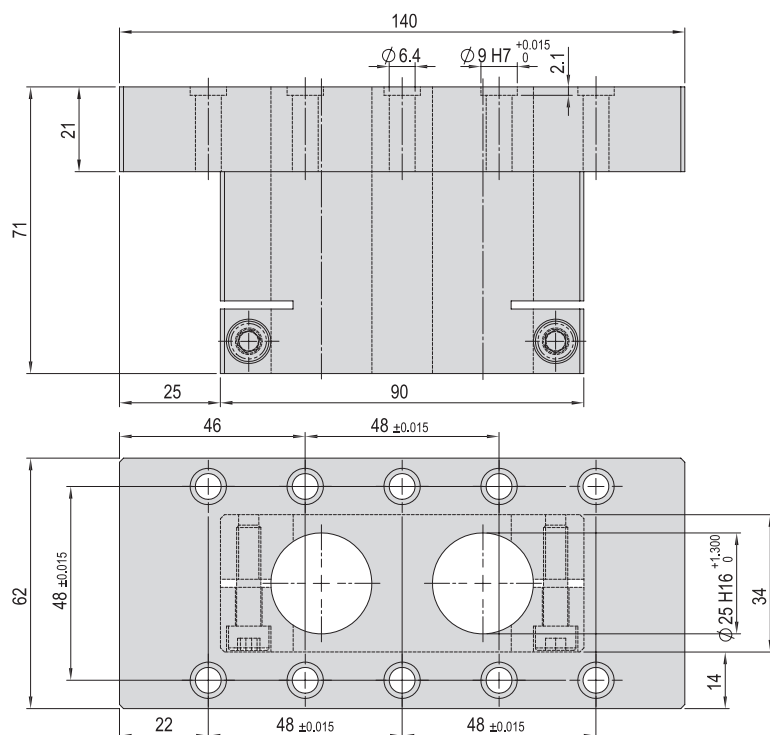
MTZ 25x2 Double module support centric

Order number

11013955

Net weight

0.8 kg



2

Included in the delivery

- 4x Mounting screw M6x30
- 4x Mounting screw M6x35
- 4x Ribbed washer M6

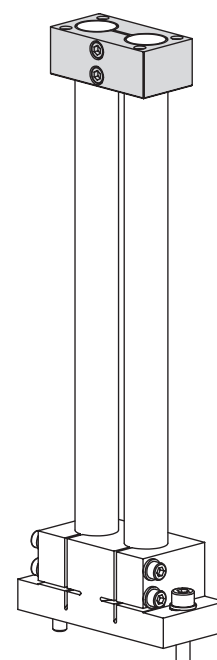
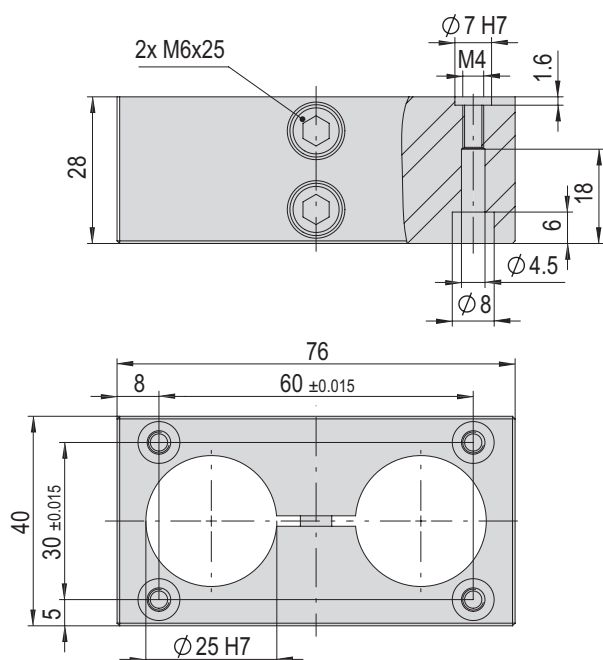
MTZ 25x2b Double module support centric

Order number

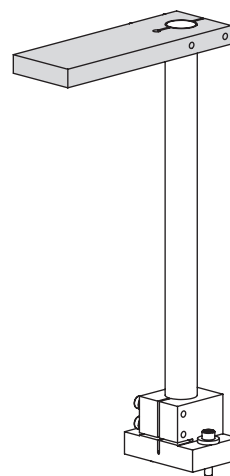
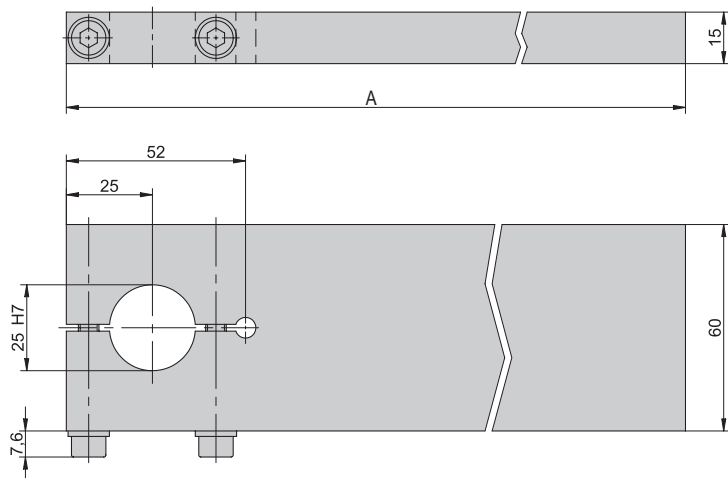
50432835

Net weight

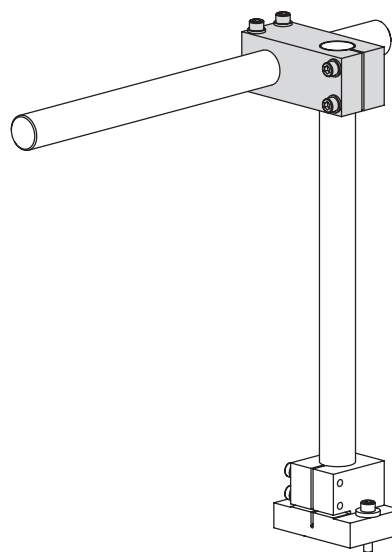
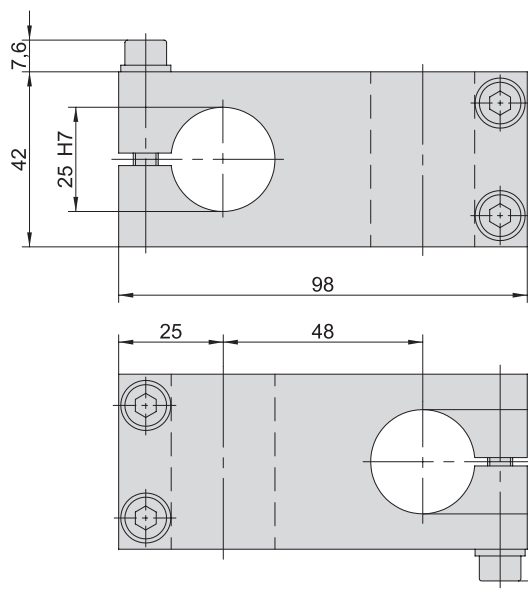
0.156 kg



Support plate d25	180	280
Order number	11013414	11013413
Net weight	0.433 kg	0.675 kg
A	180 mm	280 mm

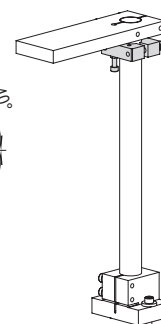
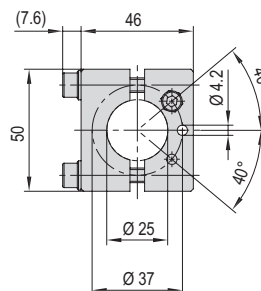
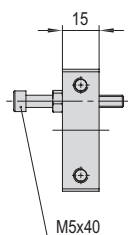
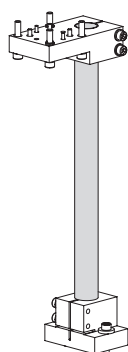
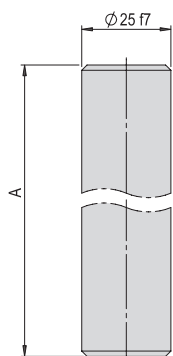


Cross support d25	11013416
Net weight	0.38 kg



Pillar d25	Weight/100 mm	350 mm
Order number	11017840	11013429
Net weight	0.38 kg/100 mm	1.35 kg
A	100-999 mm	350 mm

Elevating adjustment d25	50317963
Net weight	0.134 kg



Program for supports/columns Ø 45 mm

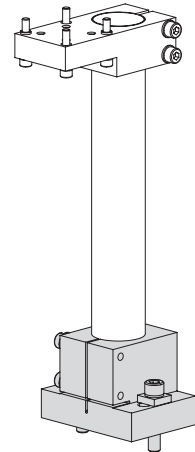
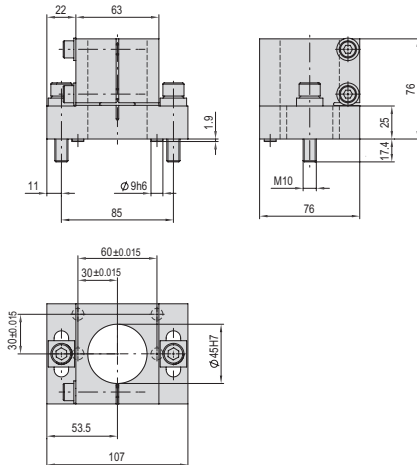
Single column support d45

Order number

11004998

Net weight

0.942 kg



Included in the delivery

- 2x Centering bushing Ø9x4
- 2x Mounting screw M10x50
- 2x Ribbed washer M10
- 2x Washer, square

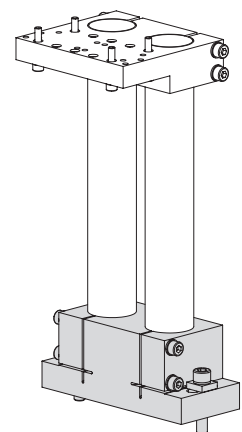
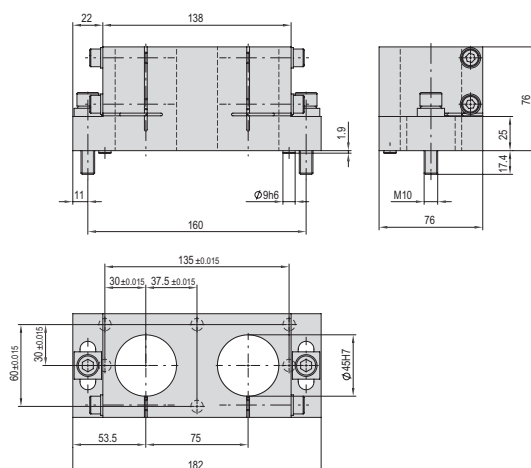
Double column support d45

Order number

11005008

Net weight

1.78 kg



Included in the delivery

- 2x Centering bushing Ø9x4
- 2x Mounting screw M10x50
- 2x Ribbed washer M10
- 2x Washer, square

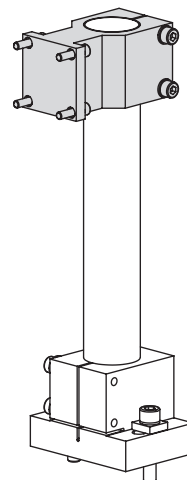
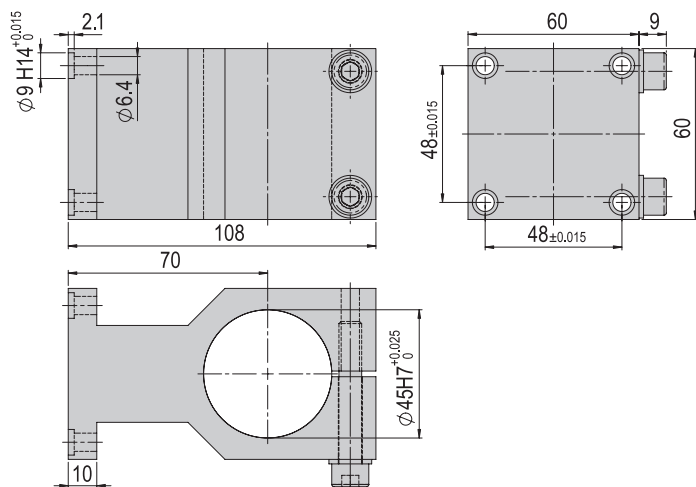
MH 45x1 Module support

Order number

11005002

Net weight

0.707 kg



Included in the delivery

- 4x Mounting screw M6x20
- 4x Mounting screw M6x25
- 4x Ribbed washer M6

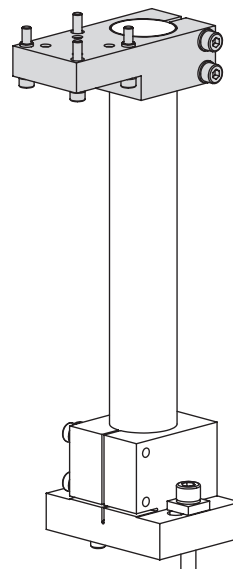
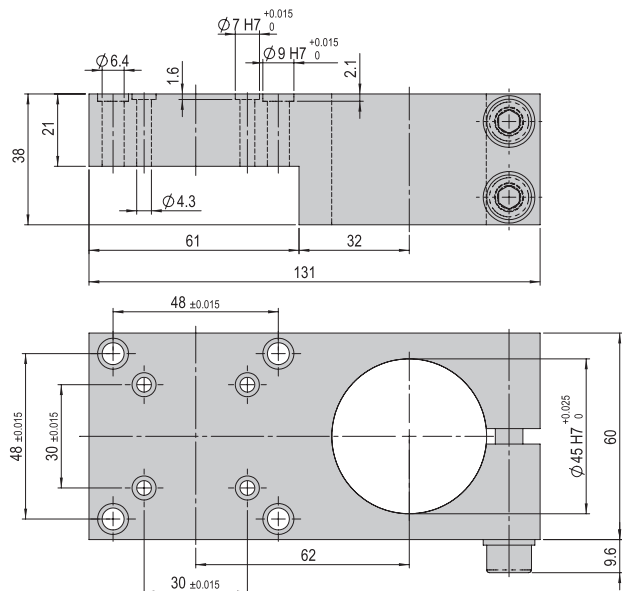
MT 45x1 Single module support

Order number

11004999

Net weight

0.6 kg



Included in the delivery

- 4x Mounting screw M4x30
- 4x Mounting screw M6x30
- 4x Mounting screw M6x35
- 4x Ribbed washer M4
- 4x Ribbed washer M6

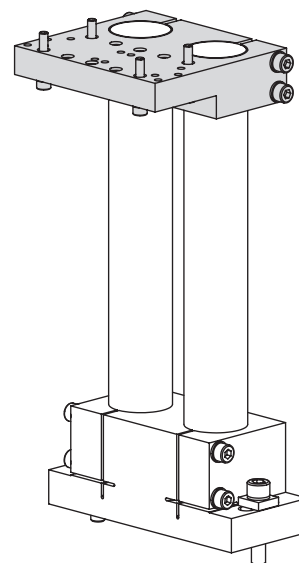
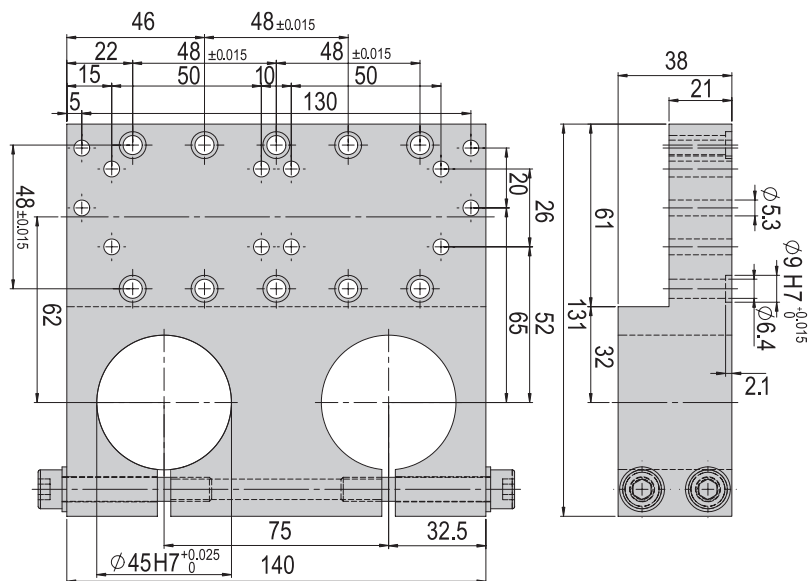
MT 45x2a Double module support L=62

Order number

11005009

Net weight

0.484 kg



2

Included in the delivery

- 4x Mounting screw M6x35
- 4x Ribbed washer M6

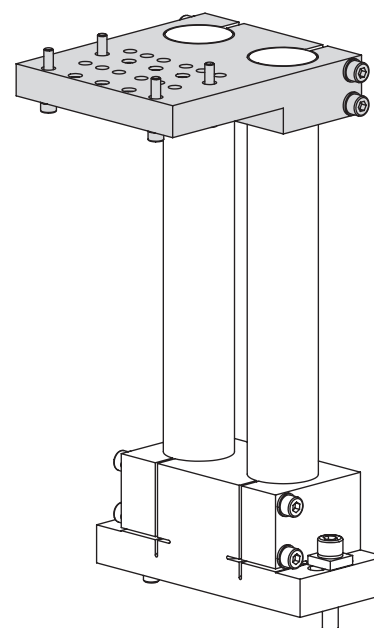
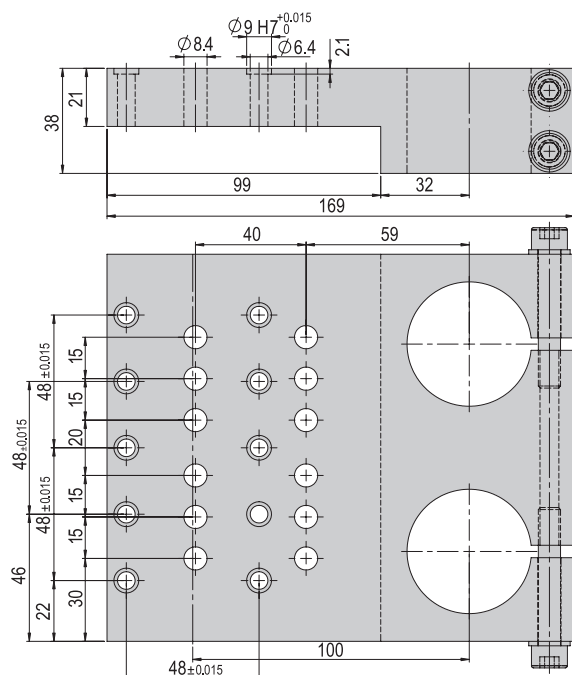
MT 45x2b Double module support L=100

Order number

11005010

Net weight

1.559 kg



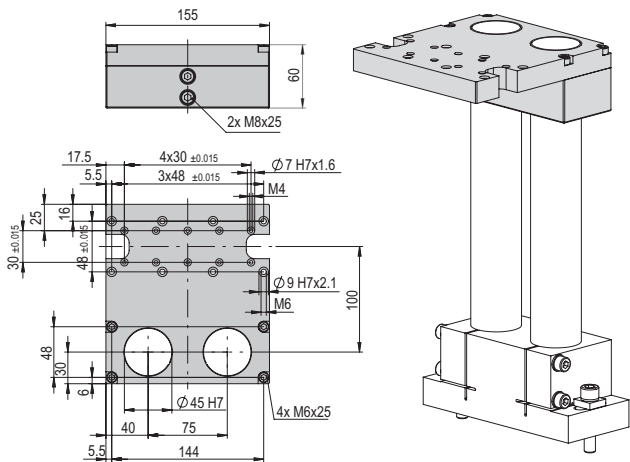
Included in the delivery

- 4x Mounting screw M6x35
- 4x Ribbed washer M6

MT 45x2c Double module support L=100

Order number 50433135

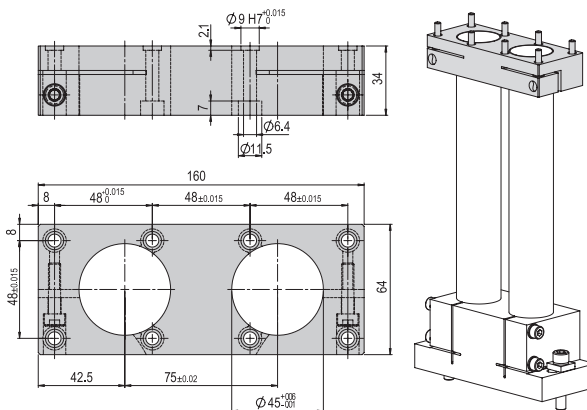
Net weight 1.909 kg



MTZ 45x2 Double module support centric

Order number 11017420

Net weight 0.58 kg



Included in the delivery

- 4x Mounting screw M6x25
- 4x Mounting screw M6x35
- 4x Mounting screw M6x40

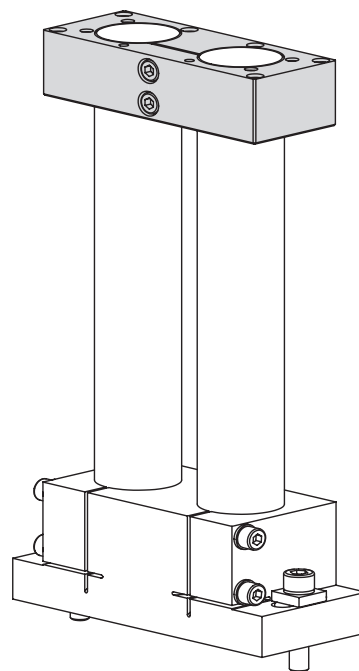
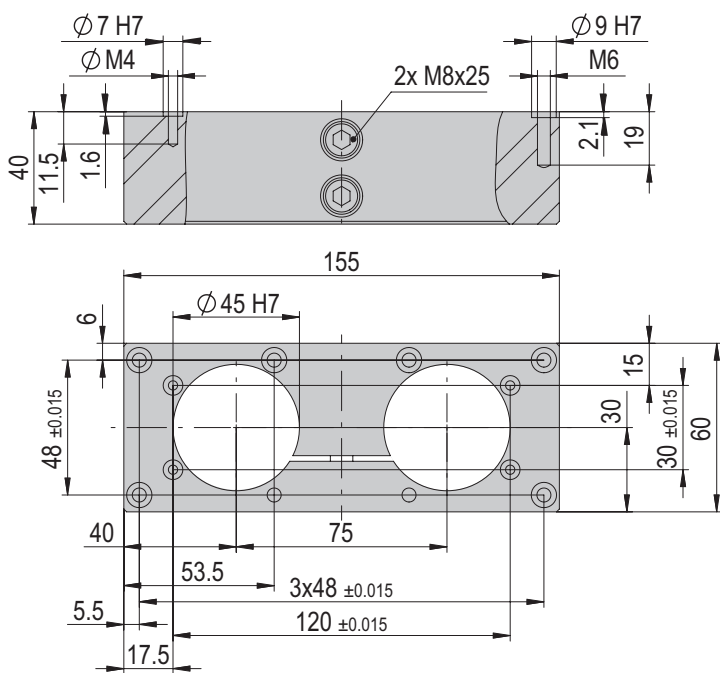
MTZ 45x2b Double module support centric

Order number

50432836

Net weight

0.659 kg



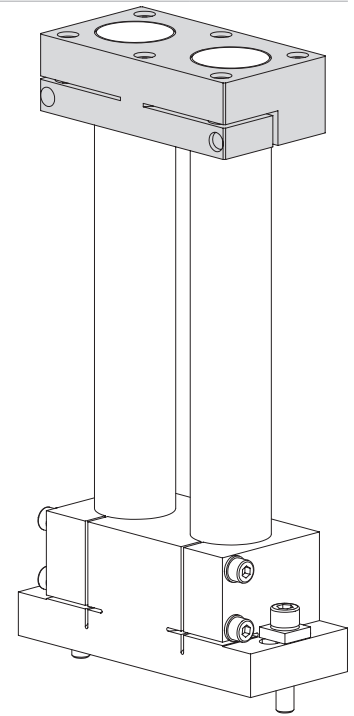
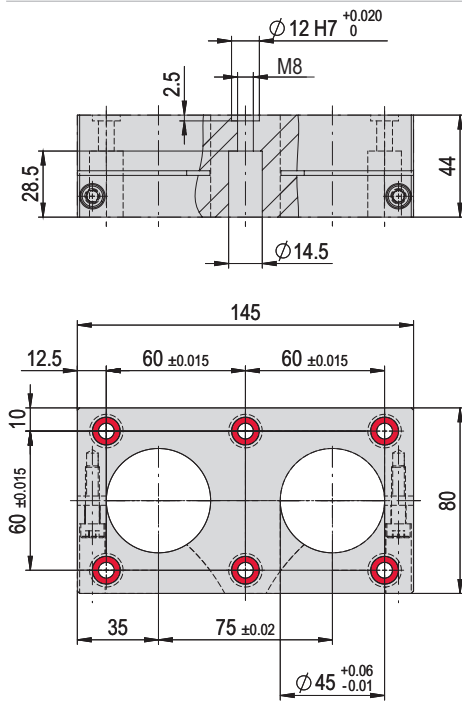
MTZ 45x2c Double module support centric

Order number

50466815

Net weight

0.894 kg



2

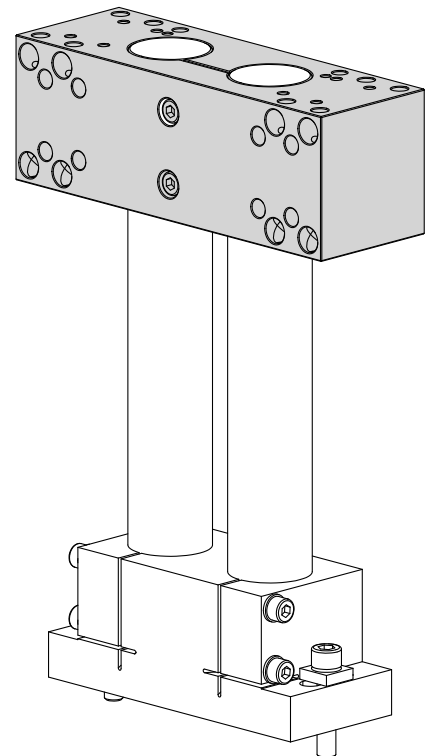
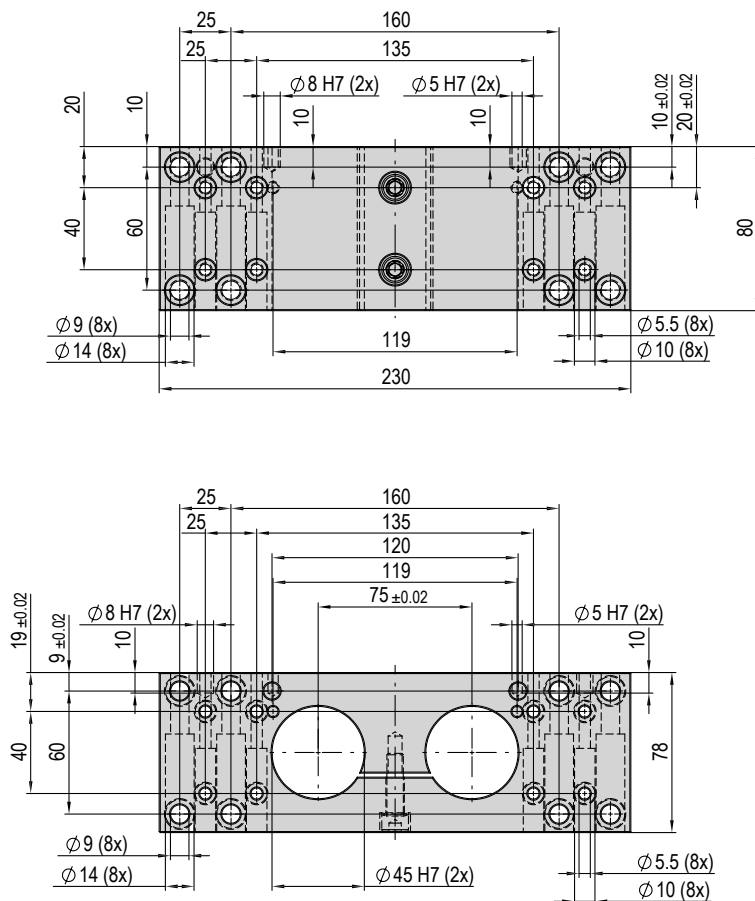
MTZ 45x2d Double module support centric

Order number

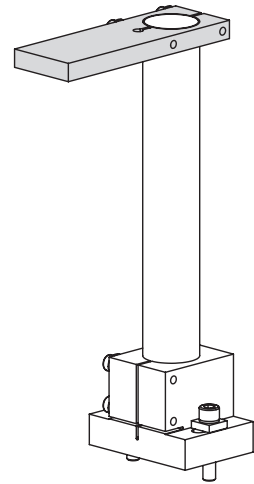
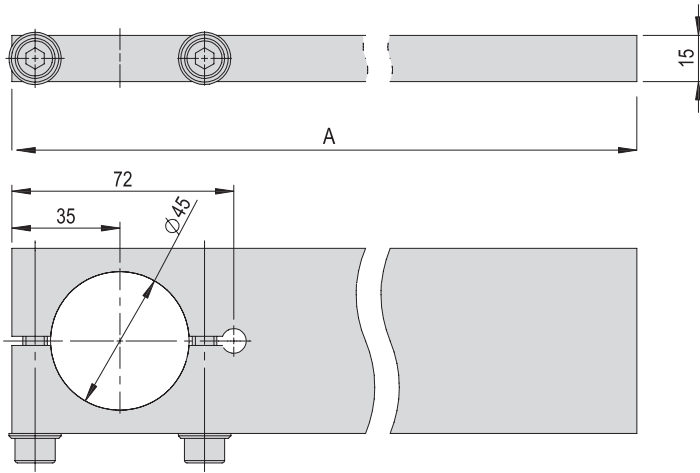
50470288

Net weight

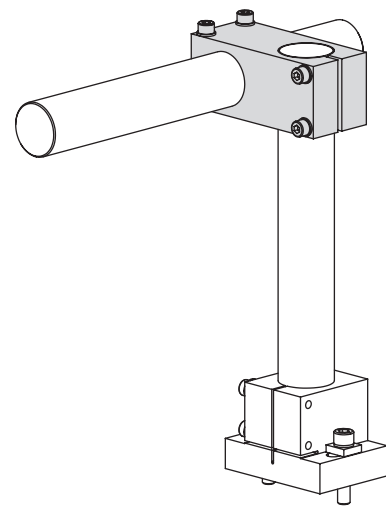
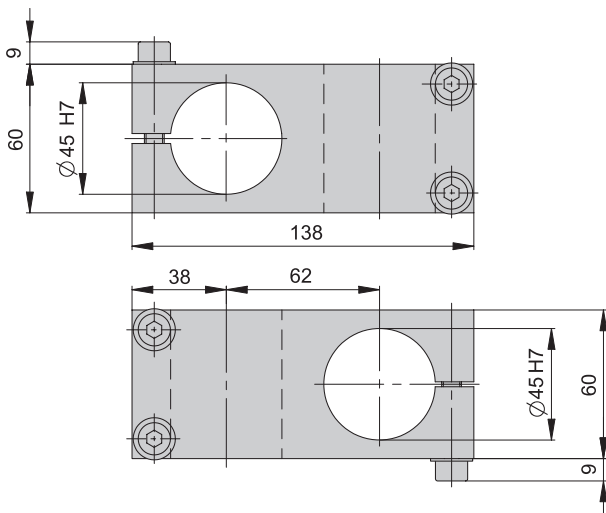
2.6 kg



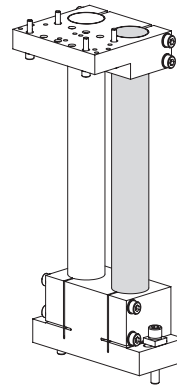
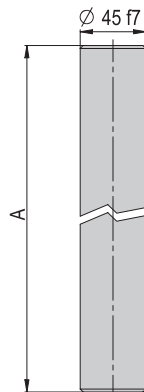
Support plate d45	180 mm	280 mm
Order number	11005001	11005000
Net weight	0.412 kg	0.655 kg
A	180 mm	280 mm



Cross support d45		
Order number		11005003
Net weight		0.821 kg

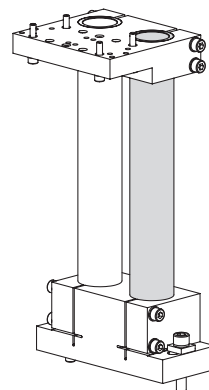
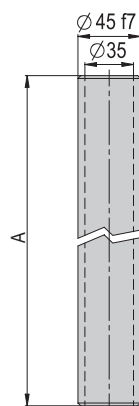


Pillar d45	Weight/100 mm	350 mm	550 mm	1000 mm
Order number	11005005	11005004	11005006	11009036
Net weight	1.20 kg/100 mm	4.2 kg	6.9 kg	12.245 kg
A	100-999 mm	350 mm	550 mm	1000 mm

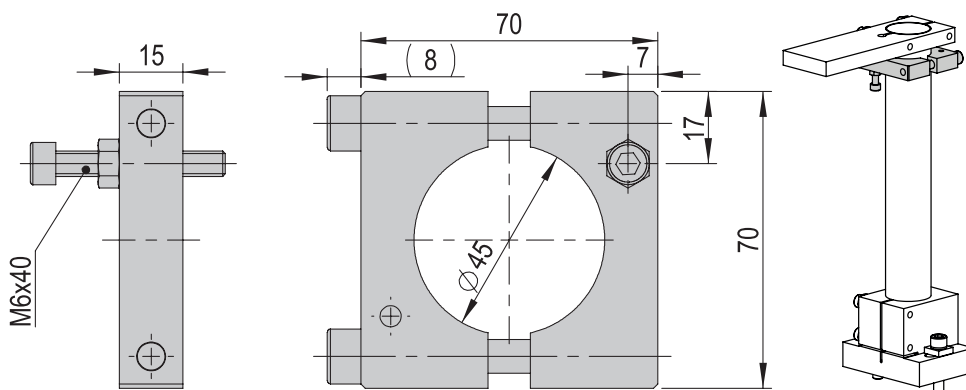


2

Hollow pillar d45/35	Weight/100 mm	35x1000 mm
Order number	11005007	11009037
Net weight	0.48 kg/100 mm	4.836 kg
A	100-999 mm	1000 mm



Elevating adjustment d45	Order number	50317945
Net weight		0.175 kg



Module centering

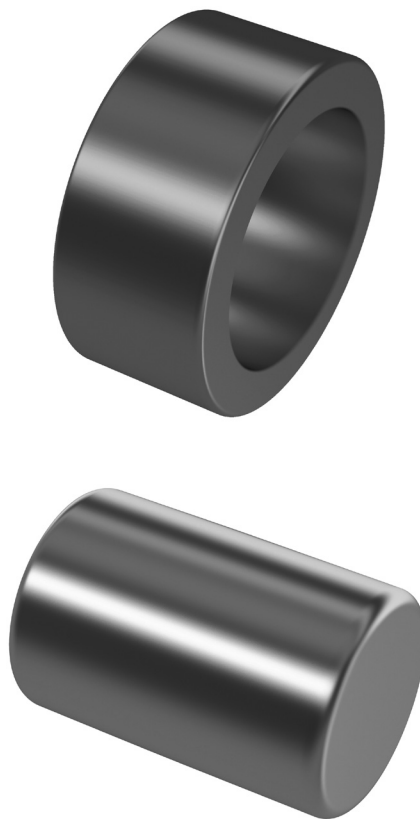
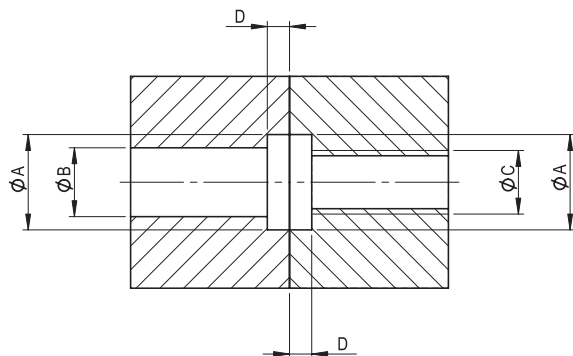


Table of contents: Module centering

Module centering	Page
Centering bushings, centering pins, dowel pins, accessories intermediate stops, various	52

Module centering

Bores							
Ø A*	19H7	12H7	9H7	8H7	7H7	5H7	4H7
Ø B	13	8.5	6.5	5.4	4.3	3.2	2.6
Ø C	M12	M8	M6	M5	M4	M3	M2.5
D	3.0 (+0.1/0)	2.5 (+0.1/0)	2.1 (+0.1/0)	1.8 (+0.1/0)	1.6 (+0.1/0)	1.3 (+0.1/0)	1.1 (+0.1/0)

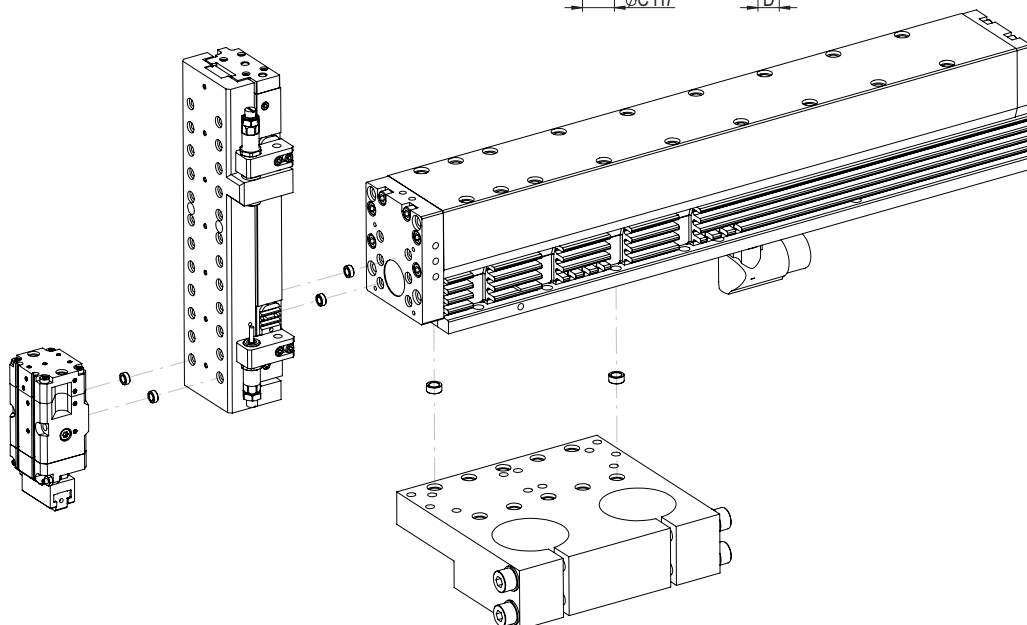
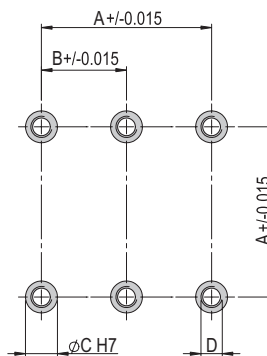


*for several old modules, the bores are still K7 tolerated.

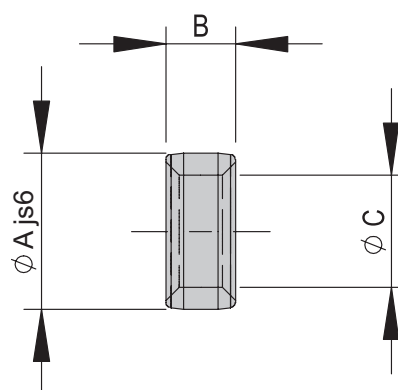
Attachment grid	16x16 mm	20x20 mm	30x30 mm	38x38 mm	48x48 mm	60x60 mm	75x75 mm	96x96 mm
A	16 mm	20 mm	30 mm	38 mm	48 mm	60 mm	75 mm	96 mm
B	8 mm	10 mm	15 mm	19 mm	24 mm	30 mm	37.5 mm	48 mm
C	4x1.1 mm	5x1.3 mm	7x1.6 mm	8x1.8 mm	9x2.1 mm	12x2.5 mm	15x2.7 mm	19x3 mm
D	M2.5	M3	M4	M5	M6	M8	M10	M12

Module-centering, centering bushings

In order to guarantee a high and repetitive fit accuracy during installation, operation or replacement of a module, all components of the entire program are consequently provided with a precise module centering. Centering bushings or pins are supplied as standard with each module.



Centering bushings	Ø4x2	Ø5x2.5	Ø7x3	Ø8x3.5	Ø9x4	Ø12x4.8	Ø19x5.8
Order number	50332257	50035831	11016850	50263565	11004942	50187424	50189497
Net weight	0.001 kg	0.001 kg	0.001 kg	0.001 kg	0.001 kg	0.002 kg	0.006 kg
A	4 mm	5 mm	7 mm	8 mm	9 mm	12 mm	19 mm
B	2 mm	2.5 mm	3 mm	3.5 mm	4 mm	4.8 mm	5.8 mm
C	2.6 mm	3.2 mm	4.3 mm	5.4 mm	6.5 mm	8.5 mm	13 mm



Centering pin	Ø4x6	Cylindrical pin 2h6x28
Order number	11005017	11004755
Net weight	0.001 kg	0.001 kg

Keys	Key 4x4x10	Key 5x5x10	Key 8x7x25	Key 8x7x32
Order number	11002404	11002405	11002406	11002407
Net weight	0.001 kg	0.001 kg	0.011 kg	0.014 kg

Accessories intermediate stops	Centering bushing ZA-PS 16	Centering bushing ZA-PS 25	Centering bushing ZA-PS 32	Nut M10x1 for ZA 32	Stop screw ZA20/25	Stop carrier ZA20/25
Order number	50235575	50235901	50235989	11009300	11016912	11011027
Net weight	0.001 kg	0.003 kg	0.003 kg	0.002 kg	0.014 kg	0.019 kg

Various	Stop carrier	Contact plate	Nut M5
Order number	11001612	11001614	11000673
Net weight	0.088 kg	0.105 kg	0.001 kg

Shock absorbers

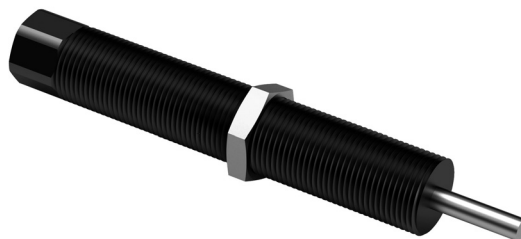
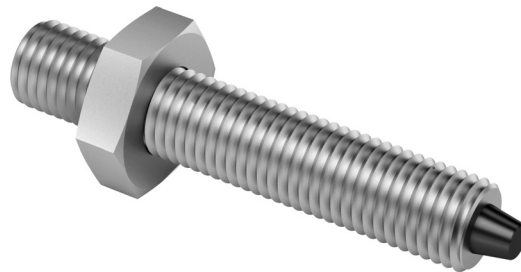


Table of contents: Shock absorbers

Shock absorbers	Page
Elastomer shock absorber ASED	56
Accessories ASED	56
Stop screw/shock absorber ASSD	57
Shock absorbers SD	58
Accessories SD	60

	ASED M4x0.5-1	ASED M5x0.5-1	ASED M6x0.5-1	ASSD M5x0.5-2	ASSD M6x0.5-1	ASSD M10x1-1	ASSD M12x1-1	ASSD M14x1-1	SD M6x0.5-2	SD M6x0.5-3	SD M8x1-2	SD M8x1-3	SD M8x1-4	SD M8x1-5	SD M10x1-4	SD M10x1-5	SD M12x1-1	SD M14x1-1	SD M14x1-2	SD M20x1.5-1	SD M25x1.5-1	
	50389768	50282683	50298509	50046138	50048428	50105233	50105234	50105235	50310020	50287720	11004990	50041089	50177008	50288020	50279077	50337721	50287972	11004987	11004988	50252844	50252854	
CS 6	■																					
CS 8		■		■																		
CS 12			■		■																	
CS 16												■										
CS 20																■						
CS 25																				■		
PS 16						■																
PS 25							■															
PS 32								■														
LM 12											■											
LM 16											■											
LM 20																			■			
LM 25																			■			
LM 32																			■			
HM 10									■													
HM 16														■								
HM 25																	■					
PMP																				■		
PMP-c																				■		
CR 12									■													
CR 16																	■					
CR 20																	■					
CR 25																					■	
CR 32																						■
RM 12											■											
RM 16												■										
RM 25																			■			
RM 32																				■		
RM 63																					■	
GMQ 12											■											
GMQ 20											■											
GMQ 32											■											

x This shock absorber (SD) may only be operated with Afag stop sleeves.

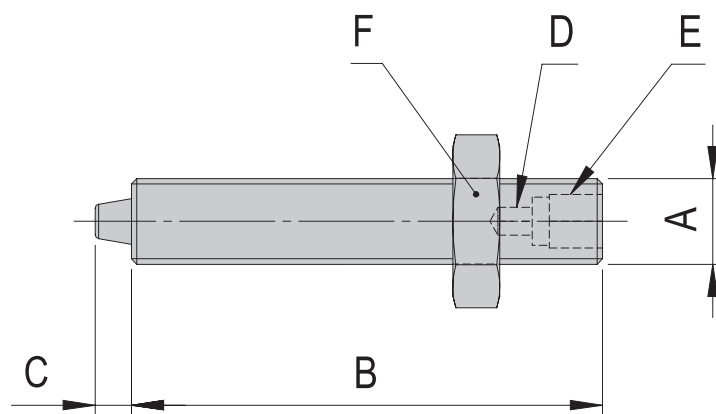
ASED: Stop screw with elastic shock absorber

ASSD: Stop screw with shock absorber

SD: Shock absorber

Elastomer damper ASED

Elastomer shock absorber ASED	M4x0.5 -1	M5x05 -1	M6x0.5 -1
Order number	50389768	50282683	50298509
Net weight	0.002 kg	0.003 kg	0.006 kg
Repeat accuracy	+/- 0.01 mm	+/- 0.01 mm	+/- 0.01 mm
Max. energy input/stroke	0.005 Nm	0.02 Nm	0.03 Nm
Max. energy input/s	8 Nm	32.4 Nm	48 Nm
Suitable for	CS 6/...-ED	CS 8/...-ED	CS 12/...-ED
A	M4 x 0.5	M5 x 0.5	M6 x 0.5
B	22 mm	26 mm	30 mm
C	1.7 mm	2.8 mm	3.1 mm
D	SW 1.3 mm	SW 1.5 mm	SW 2 mm
E	SW 2.5 mm	SW 3 mm	SW 4 mm



Accessories

- Absorbing element for ASED M4x0.5 -1 [S. 56]
- Absorbing element for ASED M5/M6x0.5 -1 [S. 56]

Accessories ASED

Absorbing element for ASED M4x0.5 -1	
Order number	50400874
Net weight	0.001 kg
Suitable for	ASED M4x0.5-1

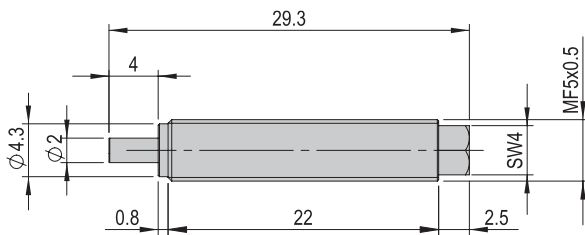
Absorbing element for ASED M5xM6x0.5 -1	
Order number	50286941
Net weight	0.001 kg
Suitable for	ASED M5/M6x0.5-1



Stop screw/Shock absorber ASSD

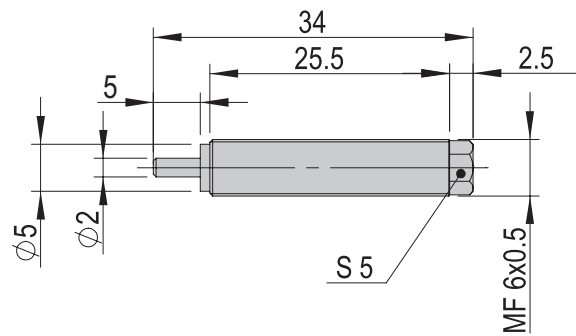
Stop screw/shock absorber ASSD M5

Order number	50046138
Net weight	0.005 kg
Max. energy input/stroke	0.6 Nm
Max. energy input/s	1 800 Nm
Suitable for	CS 8/...-SD



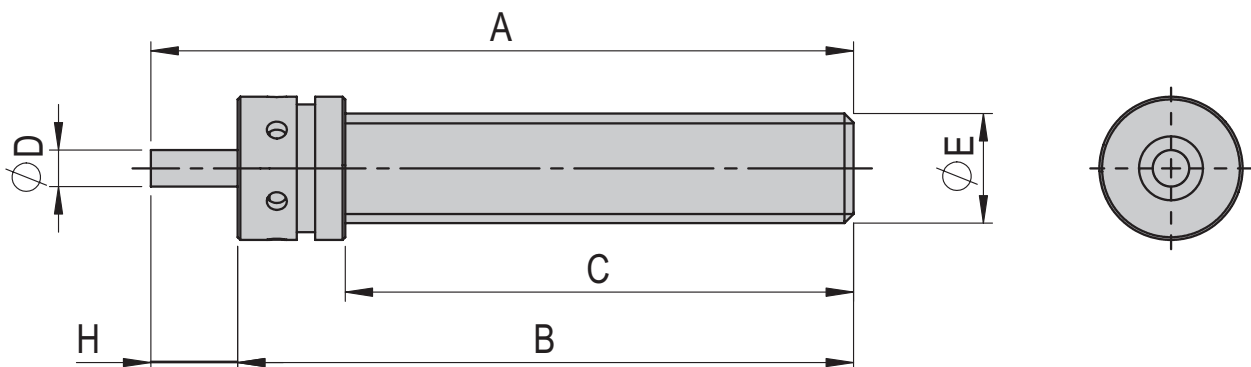
Stop screw/shock absorber ASSD M6

Order number	50048428
Net weight	0.006 kg
Max. energy input/stroke	1 Nm
Max. energy input/s	2 000 Nm
Suitable for	CS 12/...-SD



Stop screw/shock absorber ASSD M10/M12/M14

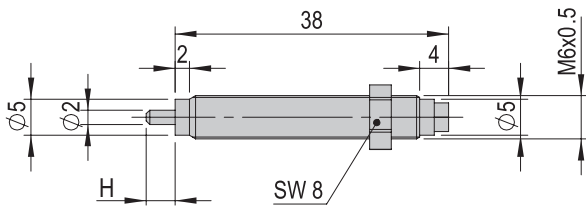
	M10x1 -1	M12x1 -1	M14x1 -1
Order number	50105233	50105234	50105235
Net weight	0.026 kg	0.059 kg	0.1 kg
Max. energy input/stroke	12 Nm	18 Nm	17 Nm
Max. energy input/s	16 800 Nm	42 000 Nm	34 000 Nm
Suitable for	PS 16	PS 25	PS 32
A	59.5 mm	77 mm	102.1 mm
B	51.5 mm	67.5 mm	89 mm
C	41.5 mm	55.7 mm	77.2 mm
D	3 mm	4 mm	4 mm
E	M10x1 mm	M12x1 mm	M14x1 mm
H	Stroke	Stroke	Stroke



Shock absorbers SD

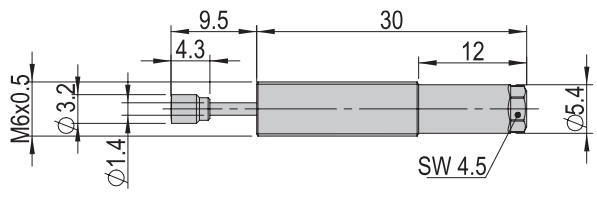
Shock absorber SD M6x0.5 -2

Order number	50310020
Stroke H	4 mm
Net weight	0.007 kg
Max. energy input/stroke	1.5 Nm
Max. energy input/s	3 200 Nm
Suitable for	CR 12



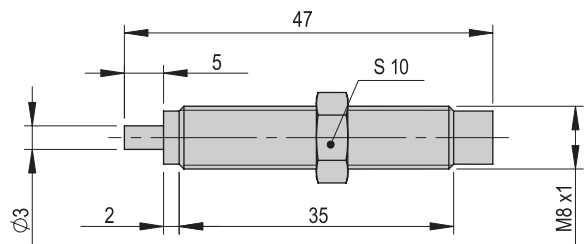
Shock absorber SD M6x0.5 -3

Order number	50287720
Net weight	0.007 kg
Max. energy input/stroke	1 Nm
Max. energy input/s	2 400 Nm
Suitable for	HM 10



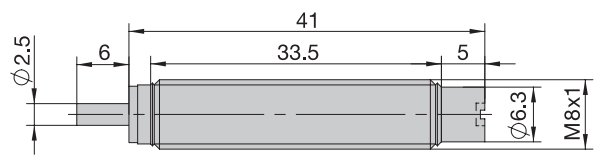
Shock absorber SD M8x1 -2

Order number	11004990
Net weight	0.016 kg
Max. energy input/stroke	3 Nm
Max. energy input/s	5 650 Nm
Suitable for	LM 12, LM 16 RM 12 GMQ 12, GMQ 20, GMQ 32



Shock absorber SD M8x1 -3

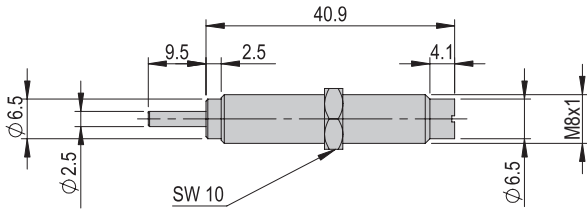
Order number	50041089
Net weight	0.011 kg
Max. energy input/stroke	3 Nm
Max. energy input/s	5 650 Nm
Suitable for	RM 16



Shock absorbers SD

Shock absorber SD M8x1 -4

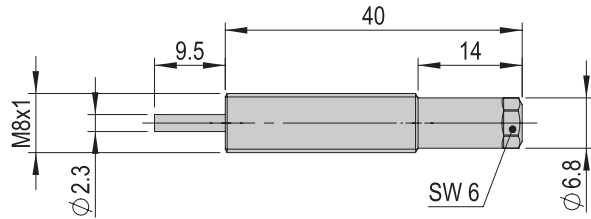
Order number	50177008
Net weight	0.001 kg
Max. energy input/stroke	3.5 Nm
Max. energy input/s	5 600 Nm
Suitable for	CS 16



Note: The shock absorber may only be operated with the stop sleeve!

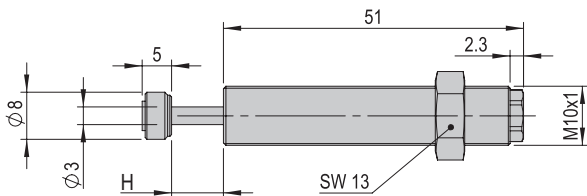
Shock absorber SD M8x1 -5

Order number	50288020
Net weight	0.013 kg
Max. energy input/stroke	4 Nm
Max. energy input/s	9 000 Nm
Suitable for	HM 16



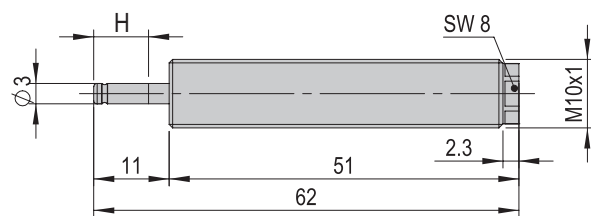
Shock absorber SD M10x1 -4

Order number	50279077
Stroke H	8 mm
Net weight	0.038 kg
Max. energy input/stroke	12 Nm
Max. energy input/s	20 000 Nm
Suitable for	CR 16, CR 20



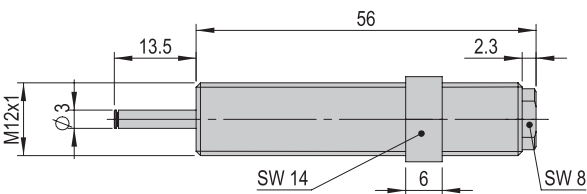
Shock absorber SD M10x1 -5

Order number	50337721
Stroke H	8 mm
Net weight	0.02 kg
Max. energy input/stroke	10 Nm
Max. energy input/s	18 000 Nm
Suitable for	CS 20



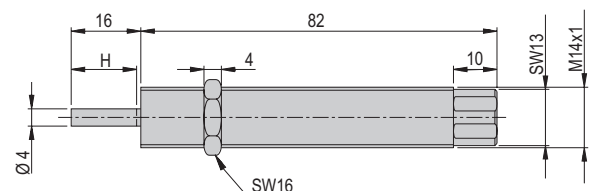
Shock absorber SD M12x1 -1

Order number	50287972
Net weight	0.035 kg
Max. energy input/stroke	16 Nm
Max. energy input/s	30 000 Nm
Suitable for	HM 25



Shock absorber SD M14x1 -1

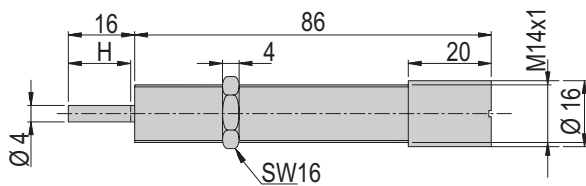
Order number	11004987
Stroke H	15 mm
Net weight	0.065 kg
Max. energy input/stroke	15 Nm
Max. energy input/s	32 000 Nm
Suitable for	LM 20, LM 25, LM 32 RM 25 PMP, PMP-c



Shock absorbers SD

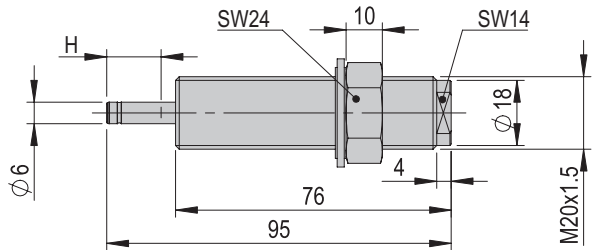
Shock absorber SD M14x1 -2

Order number	11004988
Stroke H	15 mm
Net weight	0.077 kg
Max. energy input/stroke	17 Nm
Max. energy input/s	34 000 Nm
Suitable for	RM 32, RM 63 CS 25



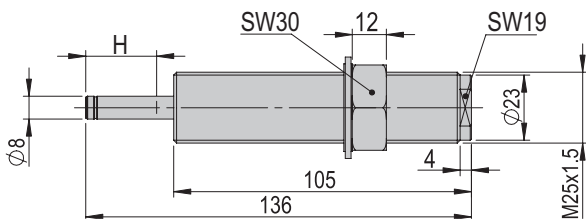
Shock absorber SD M20x1.5 -1

Order number	50252844
Stroke H	15 mm
Net weight	0.07 kg
Max. energy input/stroke	80 Nm
Max. energy input/s	80 000 Nm
Suitable for	CR 25



Shock absorber SD M25x1.5 -1

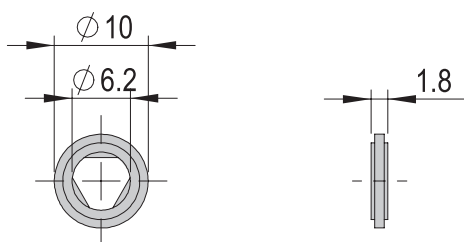
Order number	50252854
Stroke H	25 mm
Net weight	0.106 kg
Max. energy input/stroke	210 Nm
Max. energy input/s	120 000 Nm
Suitable for	CR 32



Accessories SD

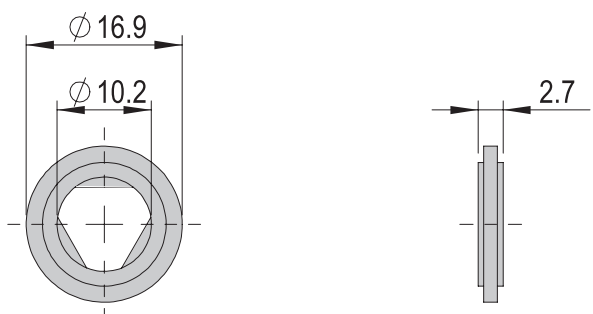
Seal for SD M6x 0.5-2

Order number	50310021
Net weight	0.001 kg
Suitable for	SD M6x0.5-2



Seal for SD M10x 1-4

Order number	50300442
Net weight	0.002 kg
Suitable for	SD M10x1-4



Adjusting stops

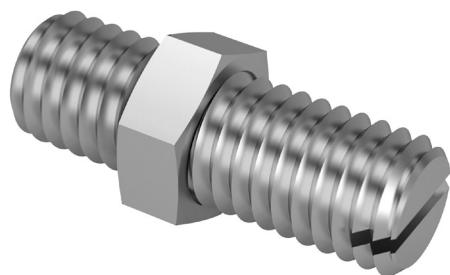
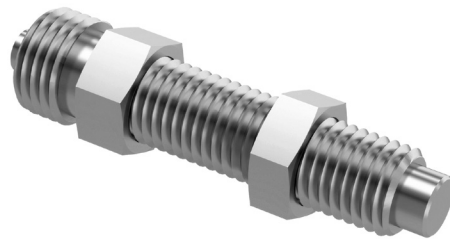


Table of contents: Adjusting stops

Adjusting stops	Page
Stop sleeves ASH	64
Stop screw AS	65
Steel stop ASS	66
Adjusting stop pin	66

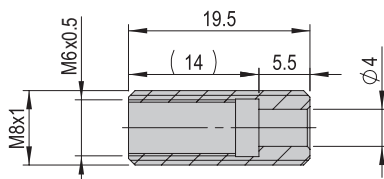
	50286115	50098367	50287664	50100898	50287968	50224961	50138506	11011202	50138579	50138592	11004991	11004992	11004993	11004994	11017149	50036780	50045855	50046516	11009229	11009230	
	ASH M8x1-1	ASH M10x1-1	ASH M10x1-2	ASH M12x1-1	ASH M16x1-1	ASH M18x1-1	AS 08/14	AS 08/15	AS 08/16	AS 08/18	AS 08/25	AS 08/40	AS 08/80	AS 12/60	ASC 08/30	ASS 05/12	ASS 05/22	ASS 05/37	M8x1/25	M8x1/40	
CS 8																					
CS 12																					
CS 16																					
CS 20																					
CS 25																					
PS 16																					
PS 25																					
PS 32																					
LM 12																					
LM 16																					
LM 20																					
LM 25																					
LM 32																					
HM 10																					
HM 16																					
HM 25																					
PMP																					
PMP-c																					
CR 12																					
CR 16																					
CR 20																					
CR 25																					
CR 32																					
RM 12																					
RMZ 12																					
RM 16																					
RM 25																					
RM 32																					
RM 63																					
GMQ 12																					
GMQ 20																					
GMQ 32																					

ASH: Stop sleeve
 ASC, AS: Stop screw
 ASS: Steel stop

Stop sleeves

Stop sleeve ASH M8x1 -1

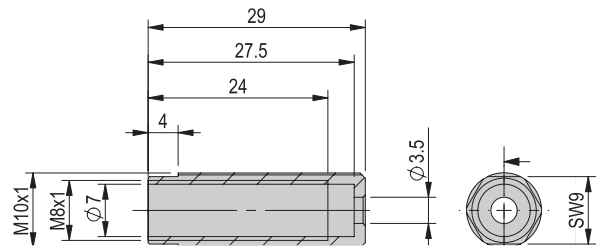
Order number	50286115
Net weight	0.004 kg
Suitable for	HM 10



Note: The ASH stop sleeves may only be operated with the shock absorbers!

Stop sleeve ASH M10x1 -1

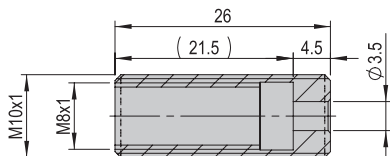
Order number	50098367
Net weight	0.009 kg
Suitable for	CS 16



Note: The ASH stop sleeves may only be operated with the shock absorbers!

Stop sleeve ASH M10x1 -2

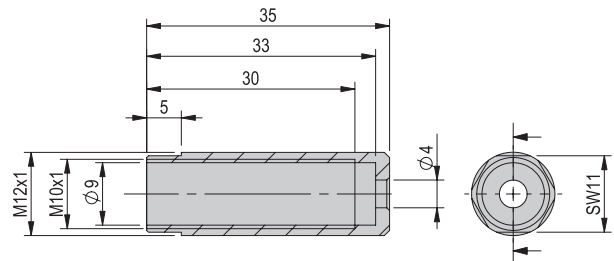
Order number	50287664
Net weight	0.008 kg
Suitable for	HM 16



Note: The ASH stop sleeves may only be operated with the shock absorbers!

Stop sleeve ASH M12x1 -1

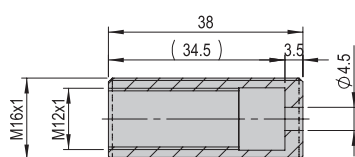
Order number	50100898
Net weight	0.014 kg
Suitable for	CS 20



Note: The ASH stop sleeves may only be operated with the shock absorbers!

Stop sleeve ASH M16x1 -1

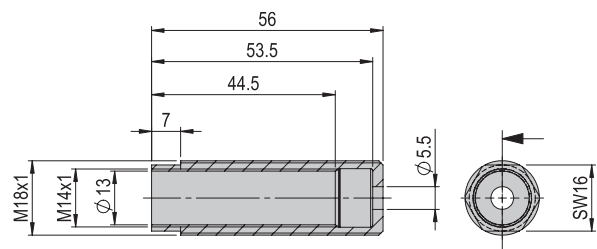
Order number	50287968
Net weight	0.031 kg
Suitable for	HM 25



Note: The ASH stop sleeves may only be operated with the shock absorbers!

Stop sleeve ASH M18x1 -1

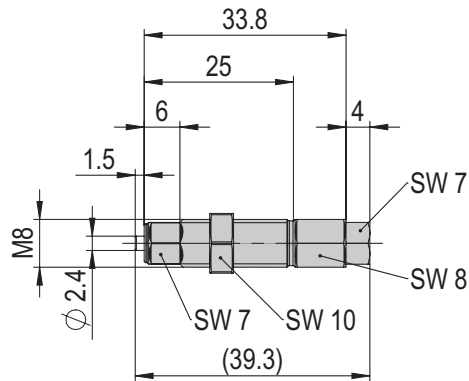
Order number	50224961
Net weight	0.017 kg
Suitable for	CS 25



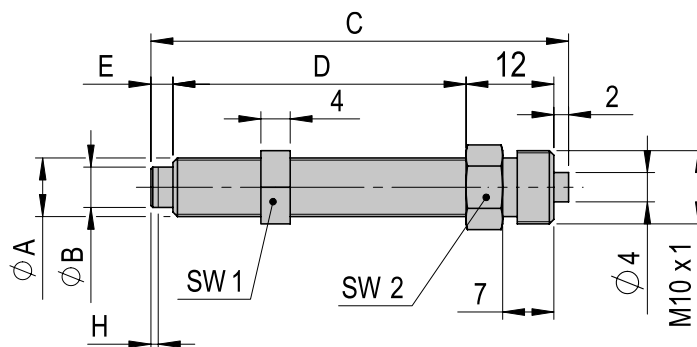
Note: The ASH stop sleeves may only be operated with the shock absorbers!

Stop screw

Stop screw ASC	ASC 08/25
Order number	50421608
Net weight	0.01 kg
Suitable for	RMZ 12

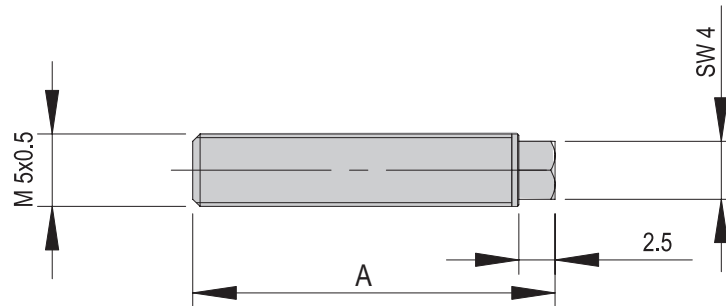


Stop screw AS	AS 08/15	AS 08/25	AS 08/40	AS 08/80	AS 12/60
Order number	11011202	11004991	11004992	11004993	11004994
Net weight	0.03 kg	0.02 kg	0.02 kg	0.04 kg	0.1 kg
Repeat accuracy	+/- 0.01 mm	+/- 0.01 mm	+/- 0.01 mm	+/- 0.01 mm	+/- 0.01 mm
Suitable for	GMQ 12, GMQ 20, GMQ 32	RM 12 LM 12, LM 16, LM 20	RM 16, RM 25 LM 12, LM 16, LM 20, LM 25 PMP-c	LM 12, LM 16, LM 20	RM 32, RM 63 LM 32
A	M8 x 1 mm	M8 x 1 mm	M8 x 1 mm	M8 x 1 mm	M12 x 1 mm
B	5.5 mm	5.5 mm	5.5 mm	5.5 mm	8 mm
C	32 mm	42 mm	57 mm	97 mm	78 mm
D	15 mm	25 mm	40 mm	80 mm	60 mm
E	3 mm	3 mm	3 mm	3 mm	4 mm
H	1 mm	1 mm	1 mm	1 mm	1 mm
SW 1	10 mm	10 mm	10 mm	10 mm	12 mm
SW 2	10 mm	10 mm	10 mm	10 mm	14 mm



Steel stop

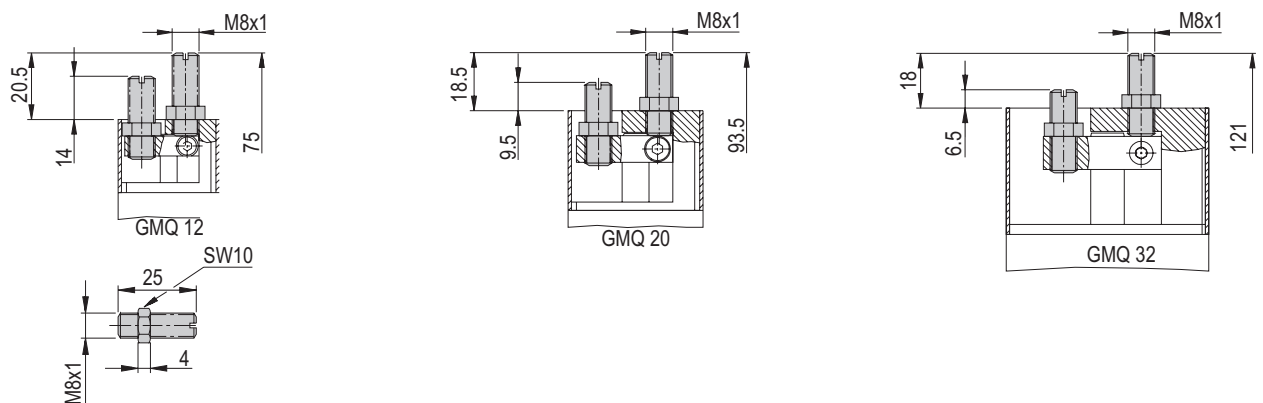
Steel stop	ASS 05/12	ASS 05/22	ASS 05/37
Order number	50036780	50045855	50046516
Net weight	0.002 kg	0.003 kg	0.005 kg
Suitable for	CS 8	CS 8	CS 8
A	16 mm	25 mm	40 mm



Adjusting stop pin

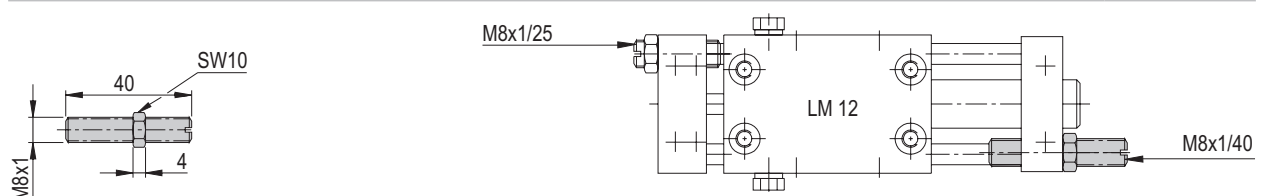
Adjusting stop pin M8x1/25

Order number	11009229
Net weight	0.01 kg
Suitable for	LM 12 GMQ 12, GMQ 20, GMQ 32



Adjusting stop pin M8x1/40

Order number	11009230
Net weight	0.016 kg
Suitable for	LM 12



Proximity switches

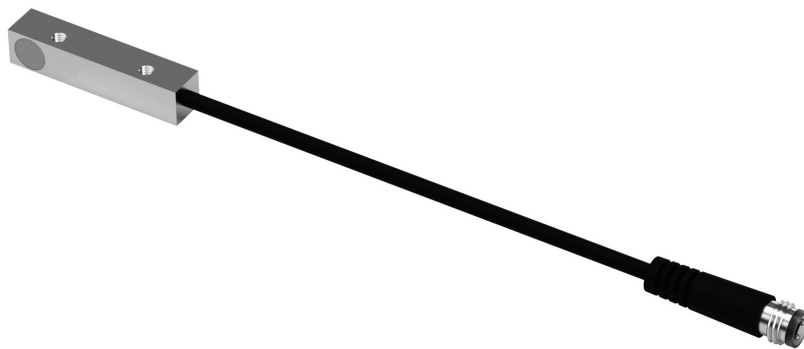


Table of contents: Proximity switches

Proximity switches	Page
Proximity switches	70
Accessories proximity switches	74

	50448226	50001023	11009034	50448225	50093507	11016714	50285525	11010759	50003811	11005439	50230625	50428013	50144770	50313986	50313987	50536020	50033432	11012933
INI d3x12-Sn0.8-PNP-NO																		
INI d3x22-Sn0.8-PNP-NO-M8x1																		
INI d4/6.5x45-Sn1.0-PNP-NO-M8x1																		
INI M4x12-Sn0.8-PNP-NO																		
INI d4x25-Sn1.0-PNP-NC-M8x1																		
INI d4x25-Sn1.0-PNP-NO-M8x1																		
INI d5x36-Sn2.0-PNP-NC-M8x1																		
INI 6.3x4.7x26.3-Em-PNP-NO-M8x1																		
INI d6.5x35-Sn1.5-PNP-NO-M8x1																		
INI d6.5x44-Sn1.5-PNP-NO-M8x1																		
INI 8x4.7x16-Sn2.0-PNP-NC-M8x1																		
INI 8x8x38.5-Sn1.5-PNP-NO-M8x1																		
INI d8x36-Sn2.0-PNP-NC-M8x1																		
INI c10x9-Em-PNP-NO-M8x1																		
INI c10x19.5-Em-PNP-NO-M8x1																		
INI c10x19.5-Em-PNP-NO-M8x1 black																		
INI c10x28.5-Em-PNP-NO-M8x1																		
INI 10.5x5.8x30-Em-PNP-NO-M8x1																		
CS 6																		
CS 8																		
CS 12																		
CS 16																		
ZA-CS 16																		
CS 20																		
ZA-CS 20																		
CS 25																		
ZA-CS 25																		
LM 12																		
PS 16																		
PS 25																		
PS 32																		
LM 16																		
LM 20																		
LM 25																		
ZA 20/25																		
LM 32																		
ZA 32																		
ZA-PS																		
HM 10																		
HM 16																		
HM 25																		
PMP																		
ZA-PMP																		
PMP-c																		
OZ-50																		
OZ-60																		
PEZ-52																		
PEZ-65																		
PEZ-80																		
PEZ-100																		
PDZ-128																		
PDZ-160																		
PDZ-200																		
CR 12																		
CR 16																		
CR 20																		
CR 25																		
CR 32																		
RM 12																		
RMZ 12																		
RM 16																		
RM 25																		
RM 32																		
RM 63																		
PG 12																		
PG 16																		
PG 20																		
UG 20																		
UG 25																		
GMQ 12																		
GMQ 20																		
GMQ 32																		
DG 16																		
DG 20																		
RE-50																		
RE-75																		

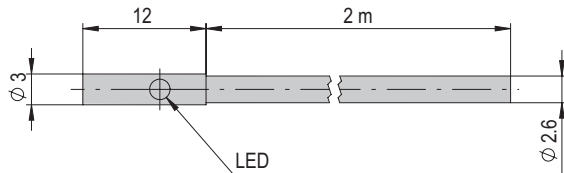
Standard
Alternative
Proximity switches nomenclature
 INI: Proximity switch
 c: C-slot
 d: Diameter
 Em: Electromagnetic
 Sn: Switching distance
 PNP: PNP
 NO: Normally open
 NC: Normally close
 M8x1: Connection thread

Proximity switches

INI d3x12-Sn0.8-PNP-NO

Order number 50448226

Net weight 0.01 kg



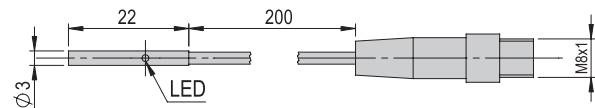
INI d3x22-Sn0.8-PNP-NO-M8x1

Order number 50001023

Net weight 0.005 kg

Operating voltage 10 - 30 VDC

Switching distance 0.8 mm



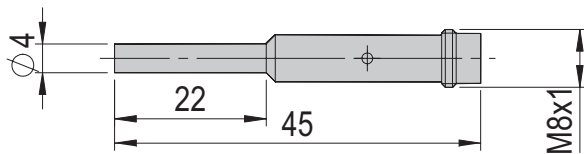
INI d4/6.5x45-Sn1.0-PNP-NO-M8x1

Order number 11009034

Net weight 0.008 kg

Operating voltage 10 - 30 VDC

Switching distance 0.8 mm



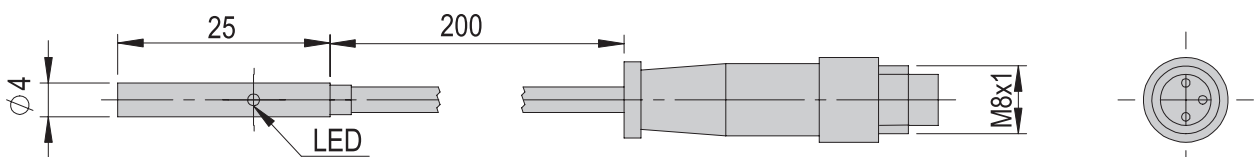
INI d4x25-Sn1.0-PNP-NC-M8x1

Order number 50093507

Net weight 0.004 kg

Operating voltage 10 - 30 VDC

Switching distance 1.0 mm



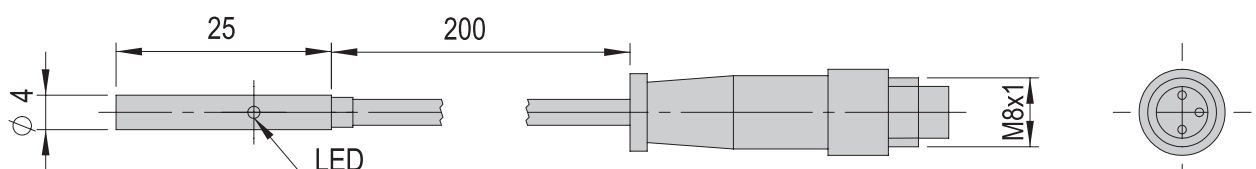
INI d4x25-Sn1.0-PNP-NO-M8x1

Order number 11016714

Net weight 0.002 kg

Operating voltage 10 - 30 VDC

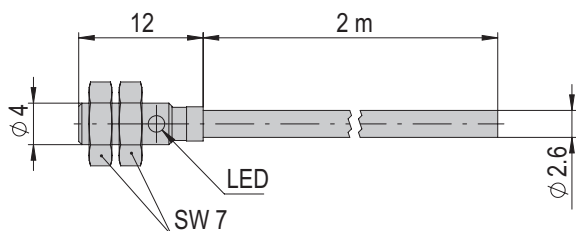
Switching distance 1.0 mm



INI M4x12-Sn0.8-PNP-NO

Order number 50448225

Net weight 0.01 kg



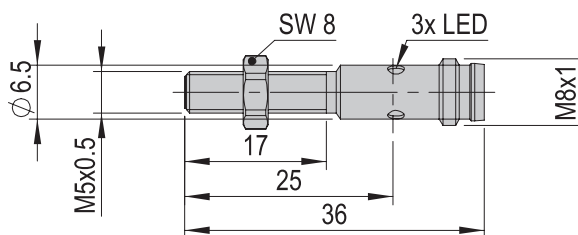
INI d5x36-Sn2.0-PNP-NC-M8x1

Order number 50285525

Net weight 0.007 kg

Operating voltage 10 - 30 VDC

Switching distance 1.5 mm

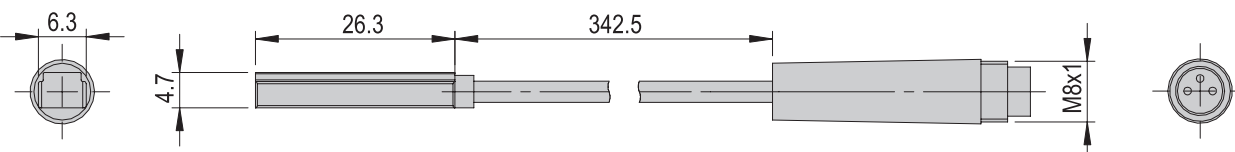


INI 6.3x4.7x26.3-Em-PNP-NO-M8x1

Order number 11010759

Net weight 0.007 kg

Operating voltage 10 - 30 VDC



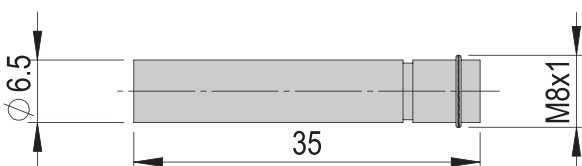
INI d6.5x35-Sn1.5-PNP-NO-M8x1

Order number 50003811

Net weight 0.009 kg

Operating voltage 10 - 30 VDC

Switching distance 1.5 mm



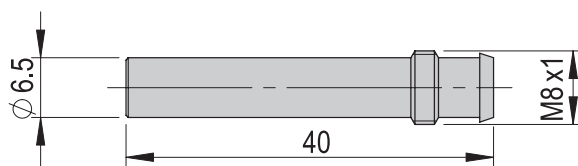
INI d6.5x44-Sn1.5-PNP-NO-M8x1

Order number 11005439

Net weight 0.005 kg

Operating voltage 10 - 30 VDC

Switching distance 1.5 mm



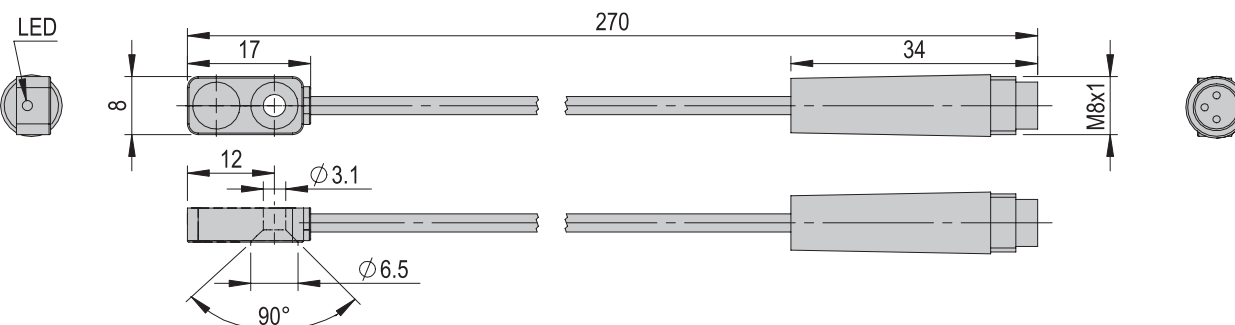
INI 8x4.7x16-Sn2.0-PNP-NC-M8x1

Order number 50230625

Net weight 0.004 kg

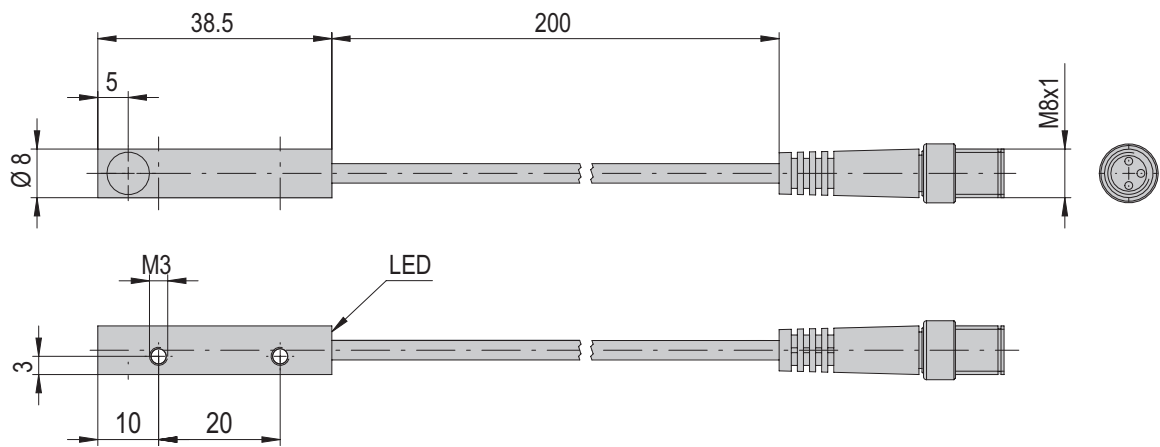
Operating voltage 10 - 30 VDC

Switching distance 1.5 mm



INI 8x8x38.5-Sn1.5-PNP-NO-M8x1

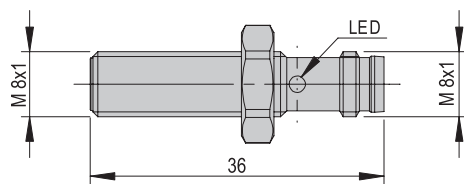
Order number	50428013
Net weight	0.043
Operating voltage	10 - 30 VDC
Switching distance	1.5 mm



6

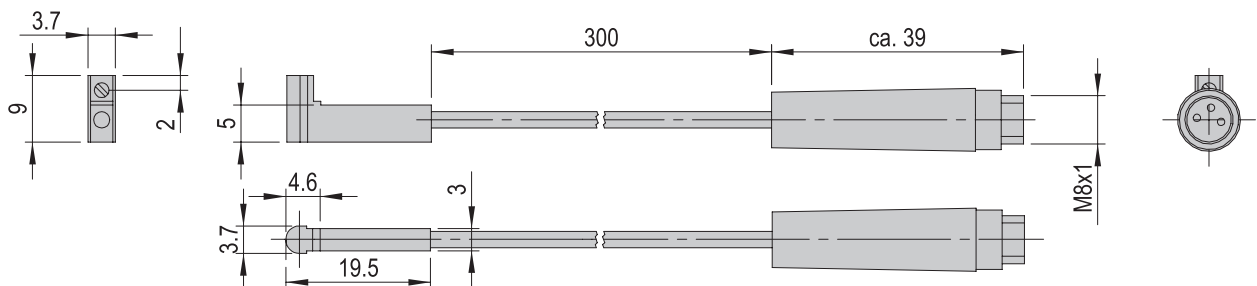
INI d8x36-Sn2.0-PNP-NC-M8x1

Order number	50144770
Net weight	0.014 kg
Operating voltage	10 - 30 VDC
Switching distance	1.5 mm



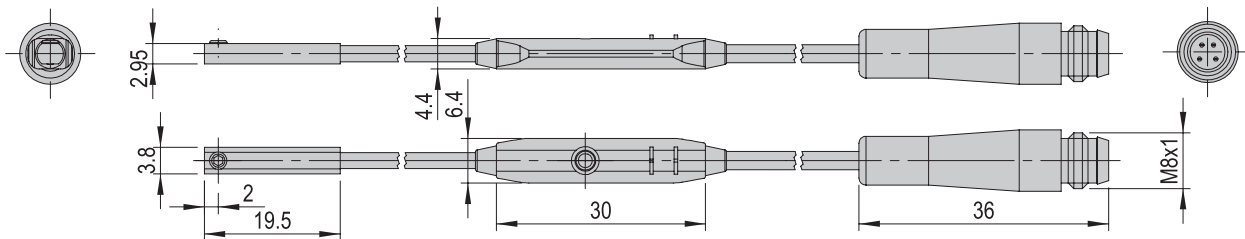
INI c10x9-Em-PNP-NO-M8x1

Order number	50313986
Net weight	0.02 kg
Operating voltage	10 - 30 VDC



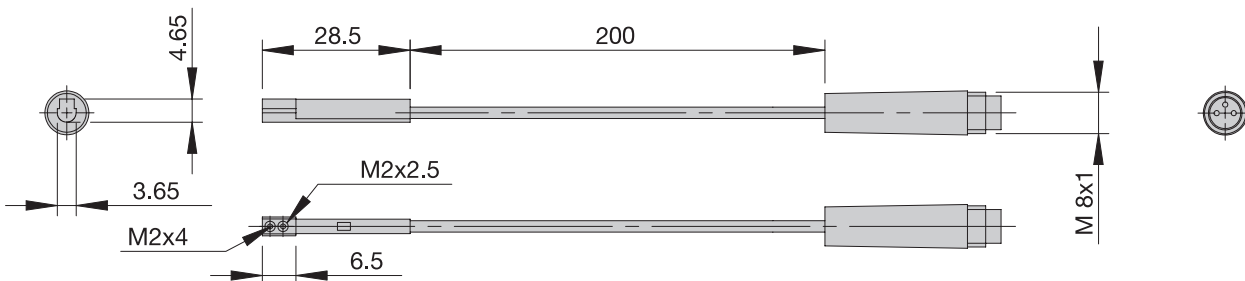
INI c10x19.5-Em-PNP-NO-M8x1

Order number	50313987
Net weight	0.021 kg
Operating voltage	10 - 30 VDC



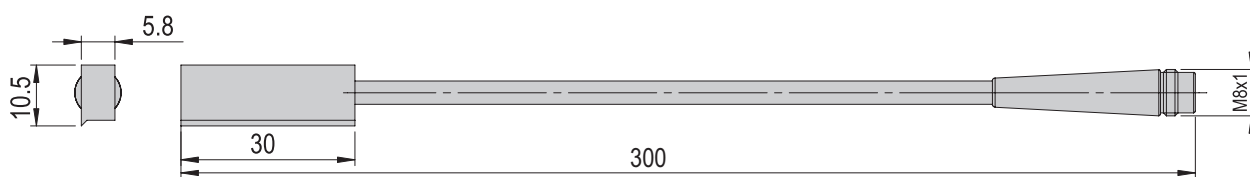
INI c10x28.5-Em-PNP-NO-M8x1

Order number	50033432
Net weight	0.02 kg
Operating voltage	10 - 30 VDC



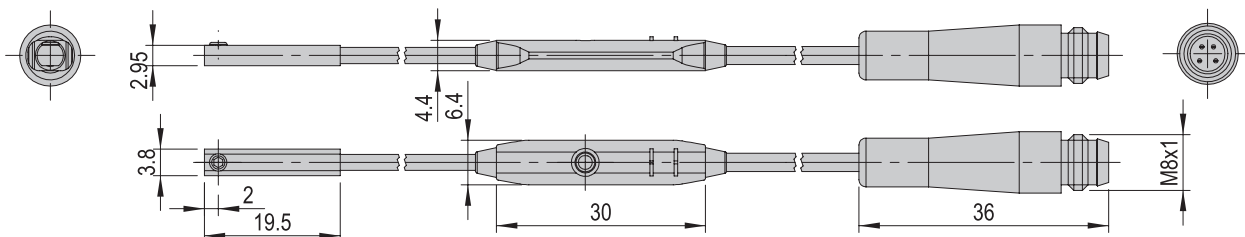
INI 10.5x5.8x30-Em-PNP-NO-M8x1

Order number	11012933
Net weight	0.013 kg
Operating voltage	10 - 30 VDC



INI c10x19.5-Em-PNP-NO-M8x1-black

Order number	50536020
Net weight	0.021 kg
Operating voltage	10 - 30 VDC



Accessories proximity switches

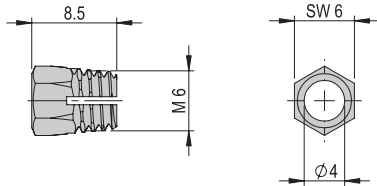
Clamping nut M6x1

Order number 50042748

Net weight 0.001 kg

Ø 4 mm

Thread M6 x 1 mm



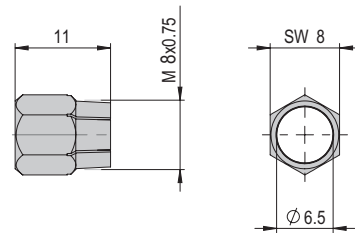
Clamping nut M8x0.75

Order number 11005436

Net weight 0.001 kg

Ø 6.5 mm

Thread M8 x 0.75 mm



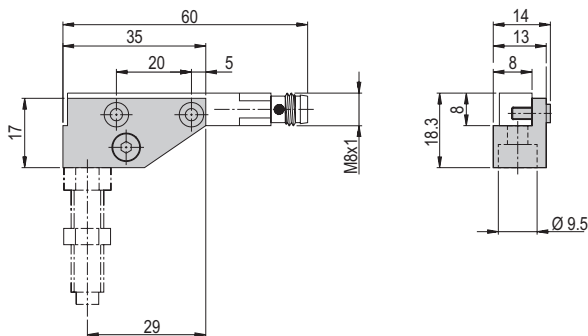
Proximity switch holder IH9.5/8x8

Order number 11004997

Net weight 0.021 kg

Ø 8x8 mm

Material Die-cast zinc



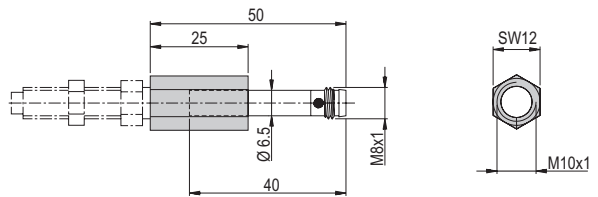
Proximity switch holder IH10/6.5

Order number 11004995

Net weight 0.015 kg

Ø 6.5 mm

Material Brass nickel-plated



Compressed air Accessories



Compressed air Accessories

Threaded connection straight M3x0.5

Order number	50073314
Net weight	0.001 kg
Suitable for	PG 12, PG 16, PG 20, DG 16, HM 10

Threaded connection angled M3x0.5

Order number	50073315
Net weight	0.004 kg
Suitable for	PG 12, PG 16, PG 20, DG 16, HM 10

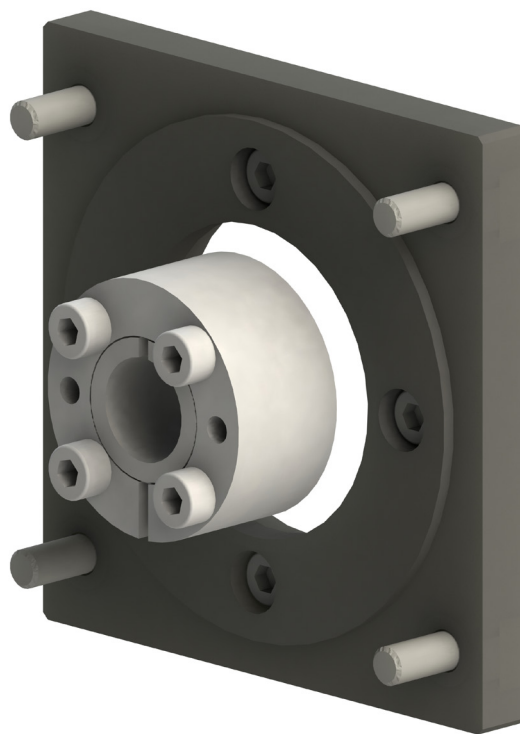
Drives

Mounting sets, planetary gearbox,
angular gearbox & servo motors

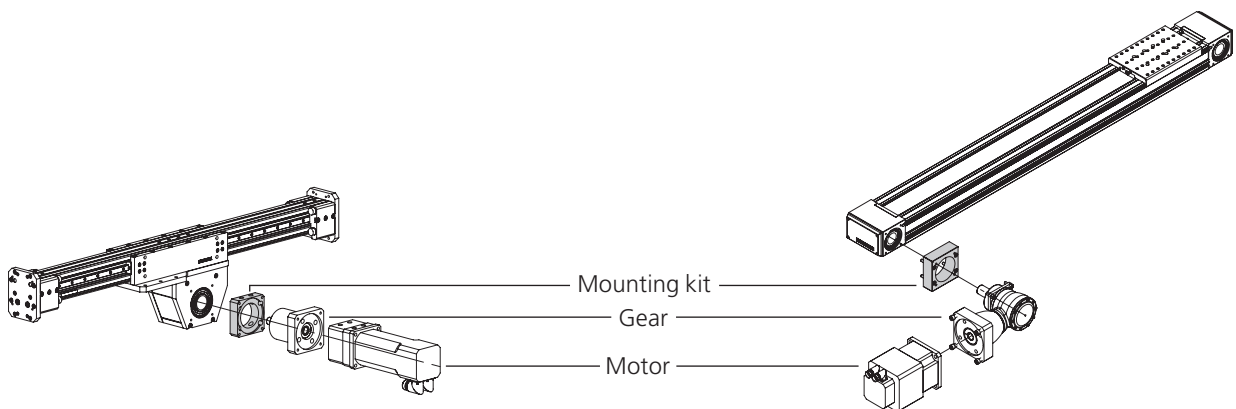
Table of contents: Drives

Drives	Page
Mounting sets	79
Planetary gearbox	91
Angular gearbox	99
Servo motors	107

Mounting sets



Overview mounting kit



Gear - Axis	Order number	OZ-50	OZ-60	PEZ-52	PEZ-65	PEZ-80	PEZ-100	PDZ-128	PDZ-160	PDZ-200	LTM
060-OZ-50	50255204	x									
070-OZ-50	50255203	x									
075-OZ-60	50255206		x								
090-OZ-60	50255205		x								
042-PEZ-52	50467366			x							
050-PEZ-52	50396325			x							
050-PEZ-65/PDZ-128	50253994				x			x			
060-PEZ-65/PDZ-128	50253996				x			x			
070-PEZ-65/PDZ-128	50253995				x			x			
060-PEZ-80/PDZ-160	50253999					x			x		
070-PEZ-80/PDZ-160	50253997					x			x		
075-PEZ-80/PDZ-160/LTM	50254000					x			x		x
090-PEZ-80/PDZ-160	50253998					x			x		
075-PEZ-100/PDZ-200	50254003						x			x	
090-PEZ-100/PDZ-200	50254001						x			x	
100-PEZ-100/PDZ-200	50254004						x			x	
120-PEZ-100/PDZ-200	50254002						x			x	
075-LTM-100/LTM180	50422661										x

Nomenclature mounting set:
070 - PEZ-65/PDZ-128
 070: matching gear
 PEZ-65/PDZ-128: matching axis

Mounting sets

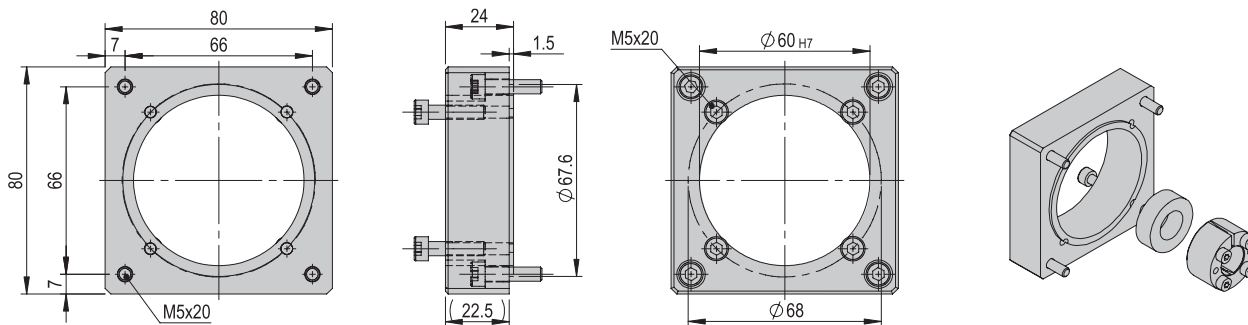
Mounting set 060-OZ-50

Order number

50255204

Net weight

0.3 kg



Included in the delivery

(Catalogue HT accessories)

- 8x Mounting screw M5x20

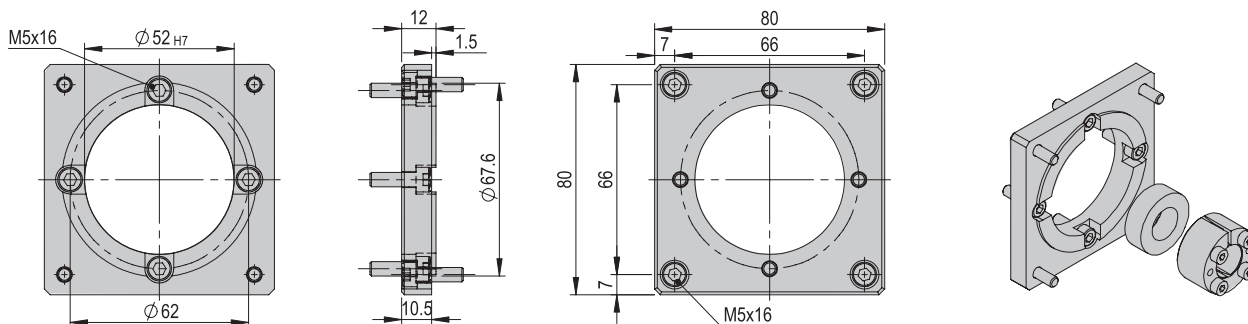
Mounting set 070-OZ-50

Order number

50255203

Net weight

0.2 kg



Included in the delivery

(Catalogue HT accessories)

- 8x Mounting screw M5x16

Mounting sets

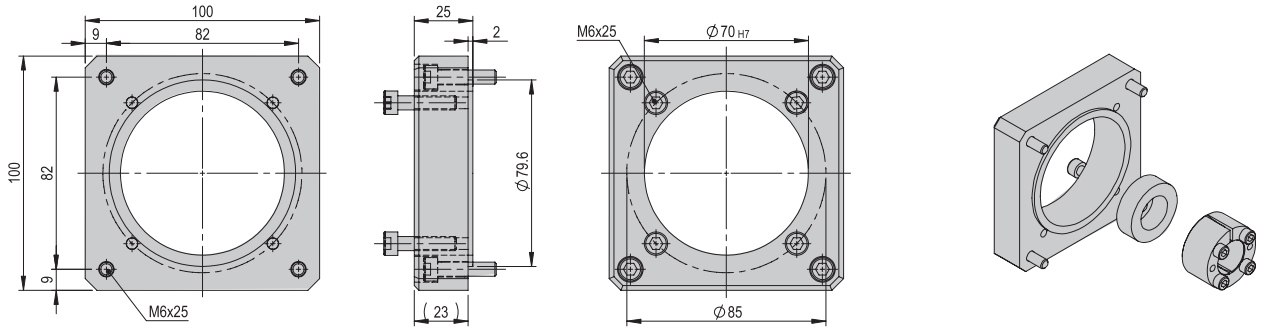
Mounting set 075-OZ-60

Order number

50255206

Net weight

0.6 kg



Included in the delivery
(Catalogue HT accessories)

- 8x Mounting screw M6x25

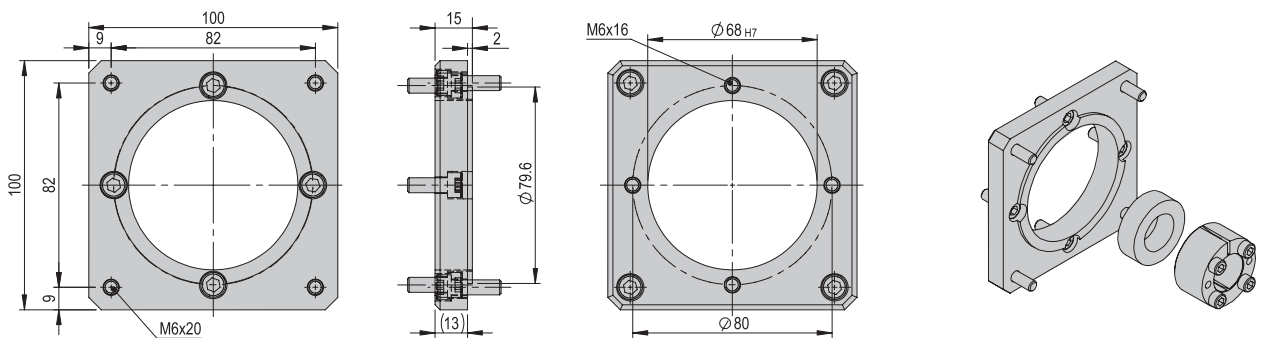
Mounting kit 090-OZ-60

Order number

50255205

Net weight

0.4 kg



Included in the delivery
(Catalogue HT accessories)

- 4x Mounting screw M6x16
- 4x Mounting screw M6x20

Mounting sets

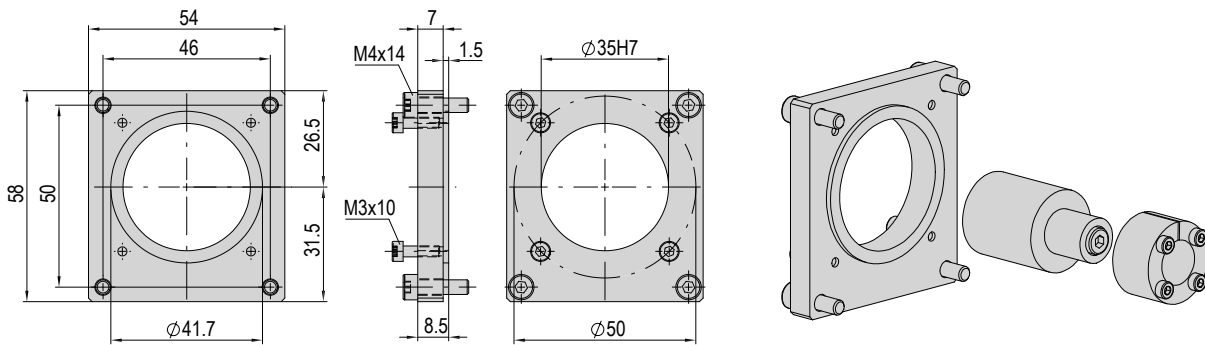
Anbauset 042-PEZ-52

Order number

50467366

Net weight

0.1 kg



Included in the delivery
(Catalogue HT accessories)

- 4x Mounting screw M3x10
- 4x Mounting screw M4x14

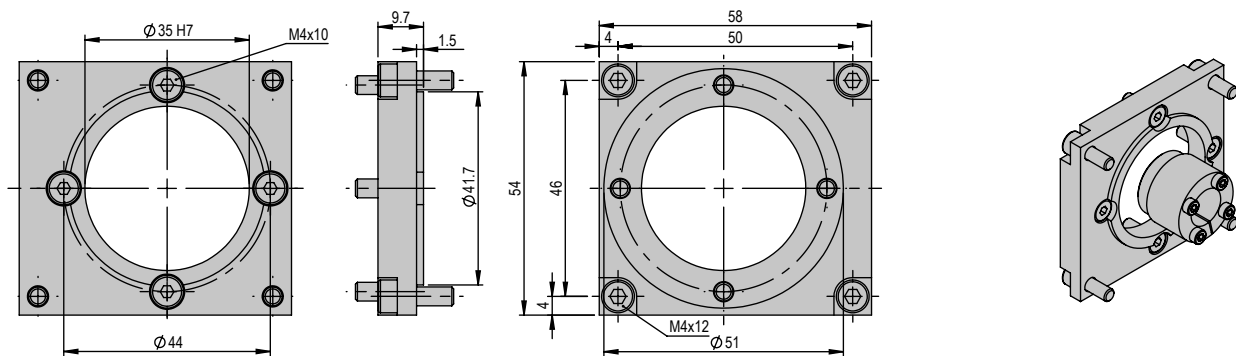
Mounting set 050-PEZ-52

Order number

50396325

Net weight

0.1 kg



Included in the delivery
(Catalogue HT accessories)

- 4x Mounting screw M4x10
- 4x Mounting screw M4x12

Mounting sets

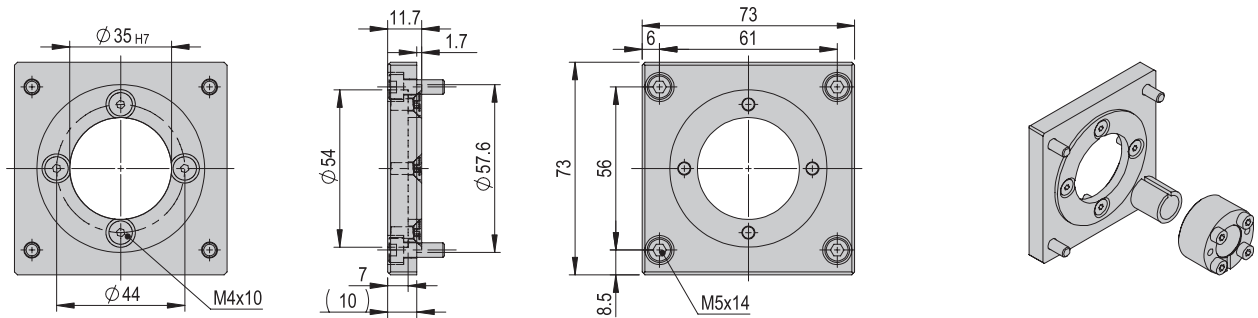
Mounting kit 050-PEZ-65/PDZ-128

Order number

50253994

Net weight

0.2 kg



Included in the delivery
(Catalogue HT accessories)

- 4x Mounting screw M4x10

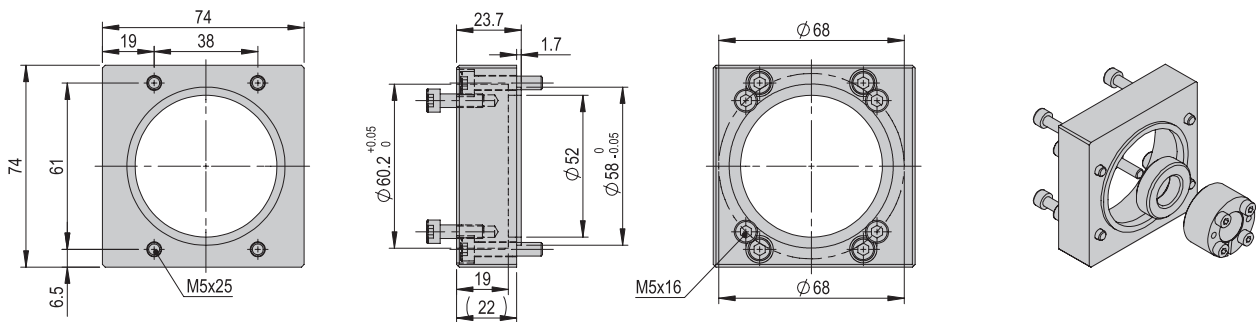
Mounting kit 060-PEZ-65/PDZ-128

Order number

50253996

Net weight

0.3 kg



Included in the delivery
(Catalogue HT accessories)

- 4x Mounting screw M5x16
- 4x Mounting screw M5x25

Mounting sets

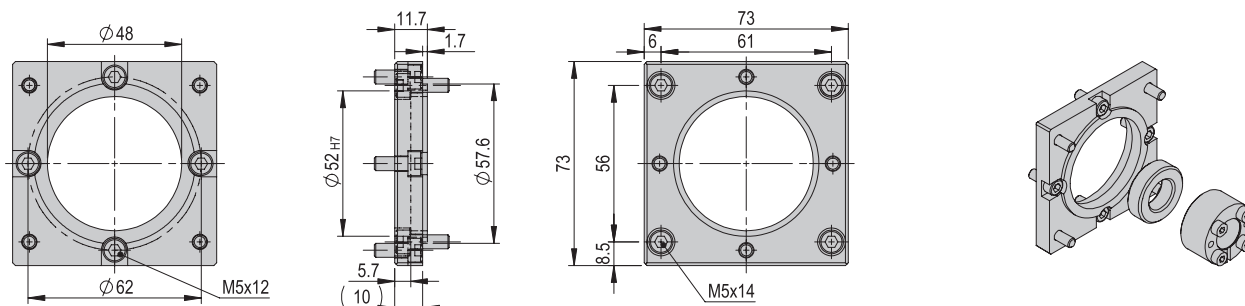
Mounting kit 070-PEZ-65/PDZ-128

Order number

50253995

Net weight

0.2 kg



Included in the delivery
(Catalogue HT accessories)

- 4x Mounting screw M5x12

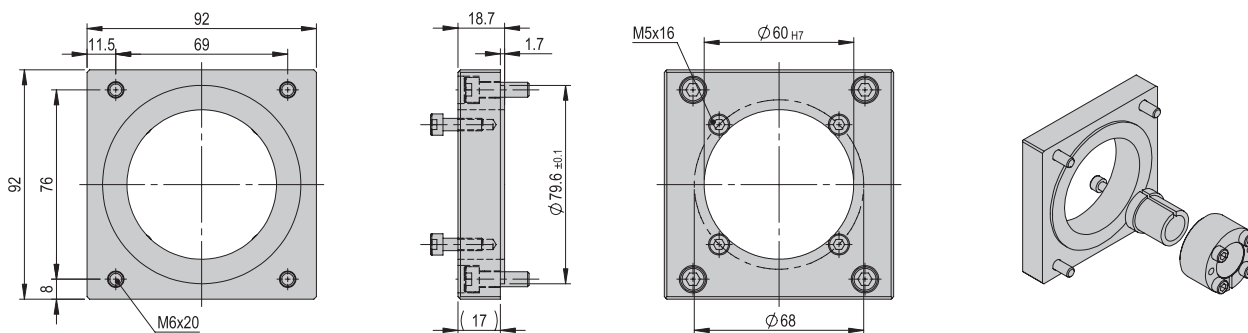
Mounting kit 060-PEZ-80/PDZ-160

Order number

50253999

Net weight

0.5 kg



Included in the delivery
(Catalogue HT accessories)

- 4x Mounting screw M5x16
- 4x Mounting screw M6x20

Mounting sets

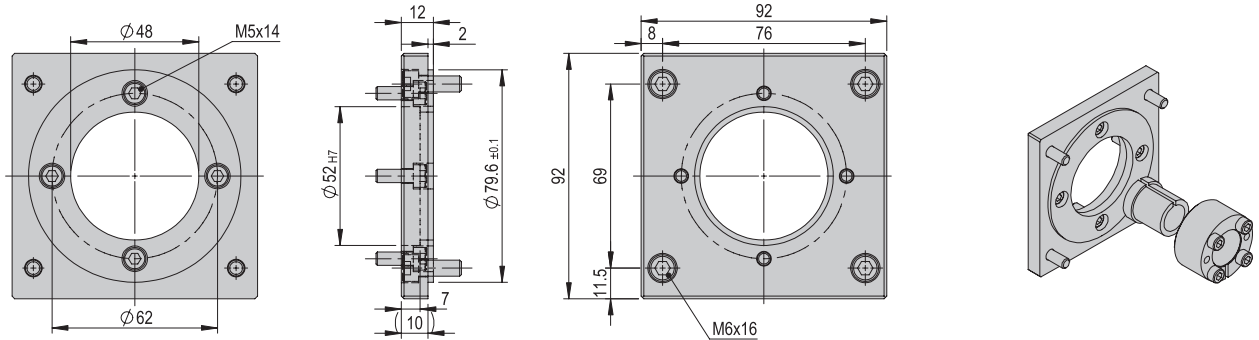
Mounting kit 070-PEZ-80/PDZ-160

Order number

50253997

Net weight

0.4 kg



Included in the delivery
(Catalogue HT accessories)

- 4x Mounting screw M6x16

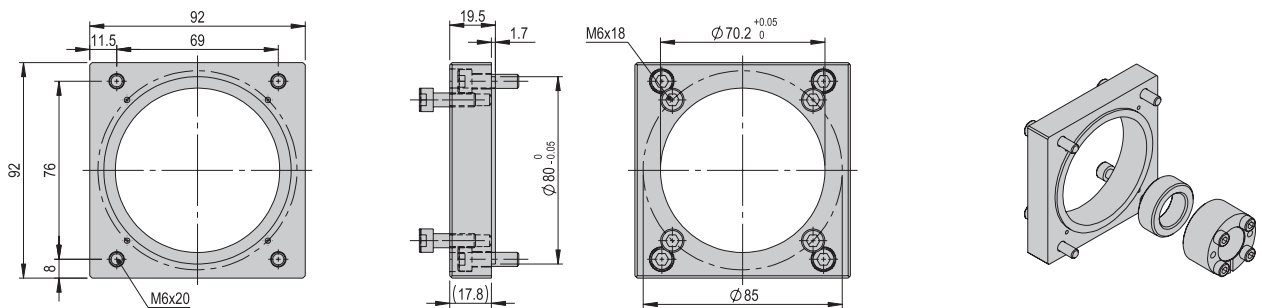
Mounting kit 075-PEZ-80/PDZ-160/LTM

Order number

50254000

Net weight

0.4 kg



Included in the delivery
(Catalogue HT accessories)

- 4x Mounting screw M6x18
- 4x Mounting screw M6x20

Mounting sets

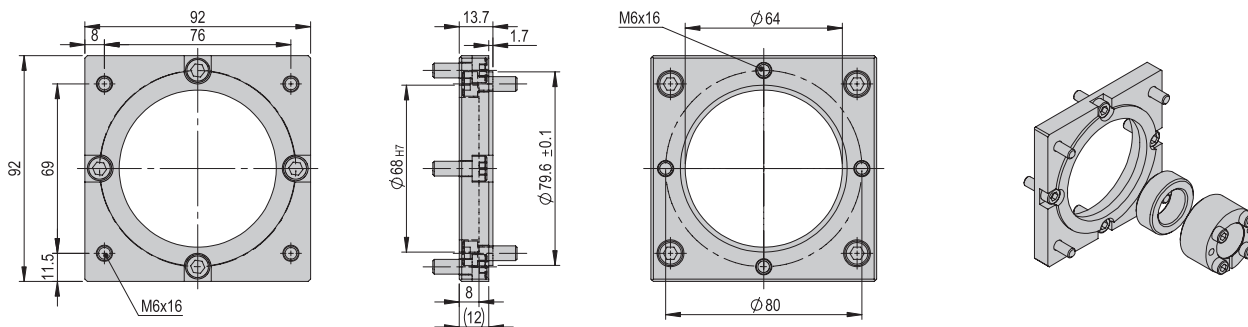
Mounting kit 090-PEZ-80/PDZ-160

Order number

50253998

Net weight

0.3 kg



Included in the delivery

(Catalogue HT accessories)

- 8x Mounting screw M6x16

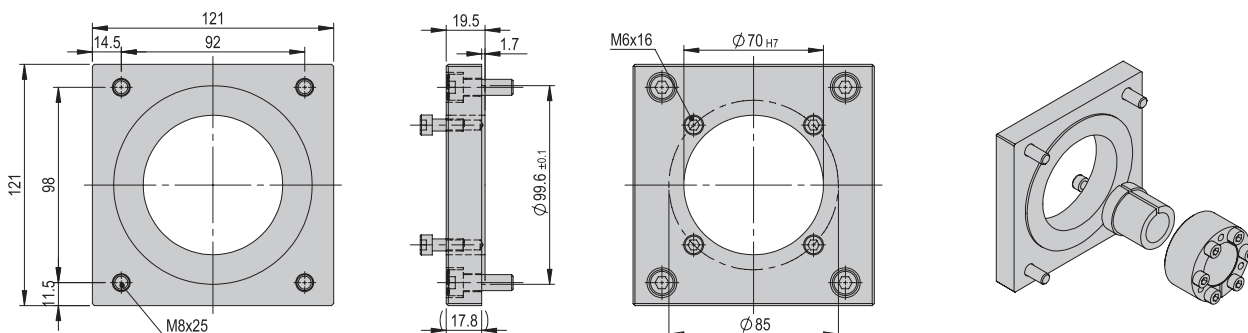
Mounting kit 075-PEZ-100/PDZ-200

Order number

50254003

Net weight

1 kg



Included in the delivery

(Catalogue HT accessories)

- 4x Mounting screw M6x16
- 4x Mounting screw M8x25

Mounting sets

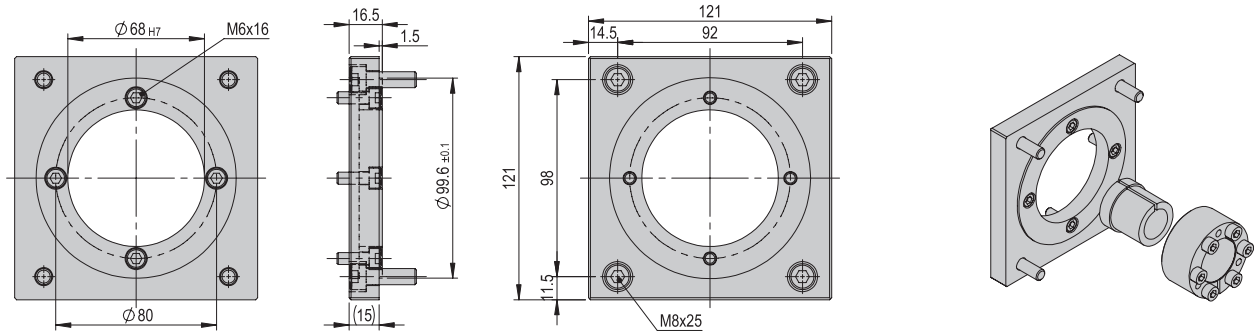
Mounting kit 090-PEZ-100/PDZ-200

Order number

50254001

Net weight

0.9 kg



Included in the delivery
(Catalogue HT accessories)

- 4x Mounting screw M6x16
- 4x Mounting screw M8x25

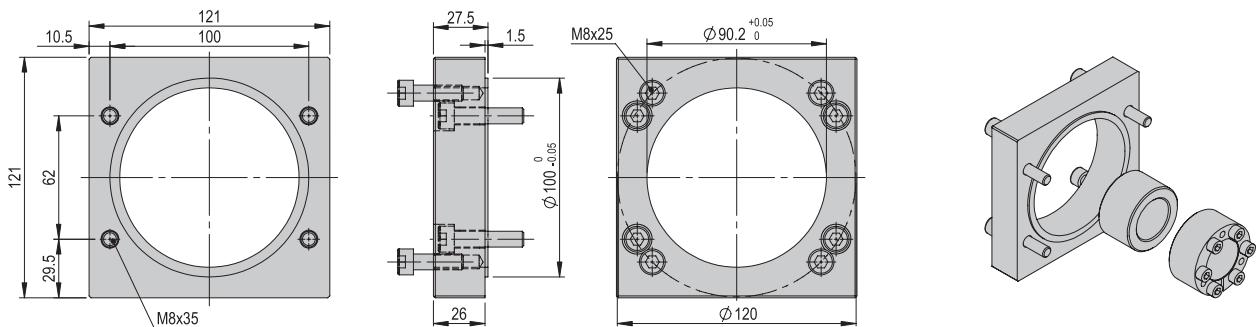
Mounting kit 100-PEZ-100/PDZ-200

Order number

50254004

Net weight

1 kg



Included in the delivery
(Catalogue HT accessories)

- 4x Mounting screw M8x25
- 4x Mounting screw M8x35

Mounting sets

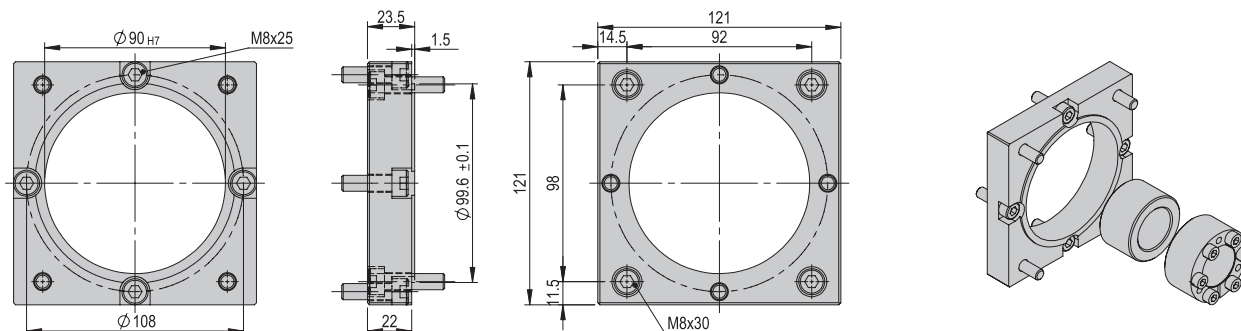
Mounting kit 120-PEZ-100/PDZ-200

Order number

50254002

Net weight

0.9 kg



Included in the delivery
(Catalogue HT accessories)

- 4x Mounting screw M8x25
- 4x Mounting screw M8x30

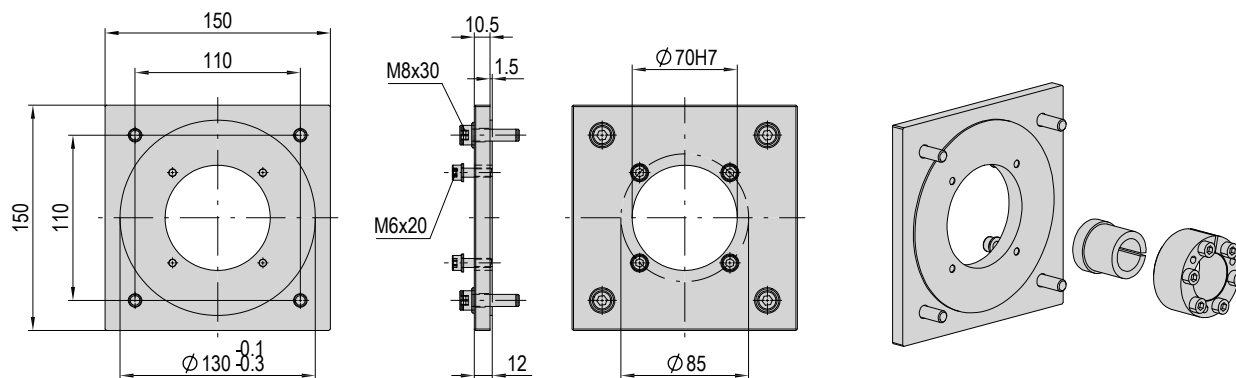
Anbauset 075-LTM-100/LTM-180

Order number

50422661

Net weight

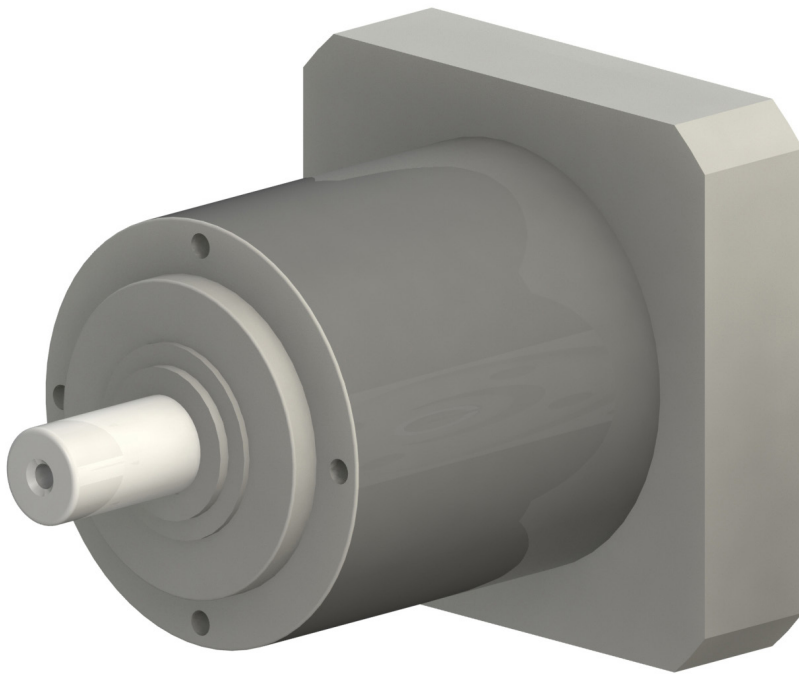
1.1 kg



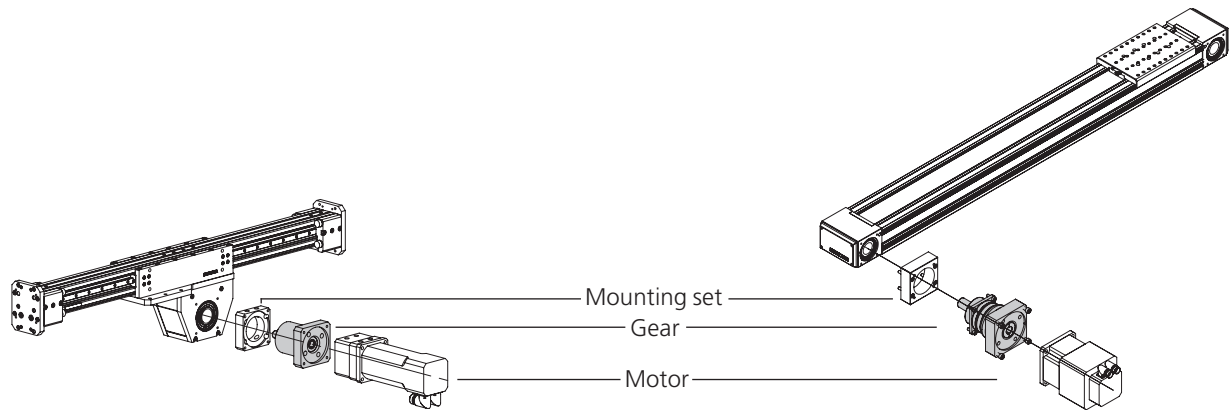
Included in the delivery
(Catalogue HT accessories)

- 4x Mounting screw M6x20
- 4x Mounting screw M8x30

Planetary gearbox



Overview planetary gearbox



Gear-Ratio-Size	Order number	OZ-50	OZ-60	PEZ-52	PEZ-65	PEZ-80	PEZ-100	PDZ-128	PDZ-160	PDZ-200	LTM
PE050-i=5-BG2	50477897			X	X			X			
PE050-i=7-BG2	50477898			X	X			X			
PE050-i=10-BG2	50477899			X	X			X			
PE070-i=5-BG3	50477900	X			X	X		X	X		
PE070-i=7-BG3	50477901	X			X	X		X	X		
PE070-i=10-BG3	50477902	X			X	X		X	X		
PE090-i=5-BG4	50477903		X			X	X		X	X	
PE090-i=7-BG4	50477904		X			X	X		X	X	
PE090-i=10-BG4	50477905		X			X	X		X	X	
PE120-i=5-BG5	50477906						X				X
PE120-i=7-BG5	50477907						X				X
PE120-i=10-BG5	50477908						X				X
AF042-i=5-BG2	50467055			X							
AF042-i=7-BG2	50467056			X							
AF042-i=10-BG2	50467057			X							
AF060-i=5-BG3	50467058	X			X	X		X	X		
AF060-i=7-BG3	50467059	X			X	X		X	X		
AF060-i=10-BG3	50467060	X			X	X		X	X		
AF075-i=40-BG3	50458160										X
AF075-i=5-BG4	50467061		X			X	X		X	X	
AF075-i=7-BG4	50467062		X			X	X		X	X	
AF075-i=10-BG4	50467063		X			X	X		X	X	
AF100-i=5-BG5	50467064						X				X
AF100-i=7-BG5	50467065						X				X
AF100-i=10-BG5	50467066						X				X

Nomenclature planetary gearbox:

PE070-i=5-BG3

PE070: Suitable gear

i=5: Gear ratio

BG3: Suitable motor size

PE: Planetary gearbox

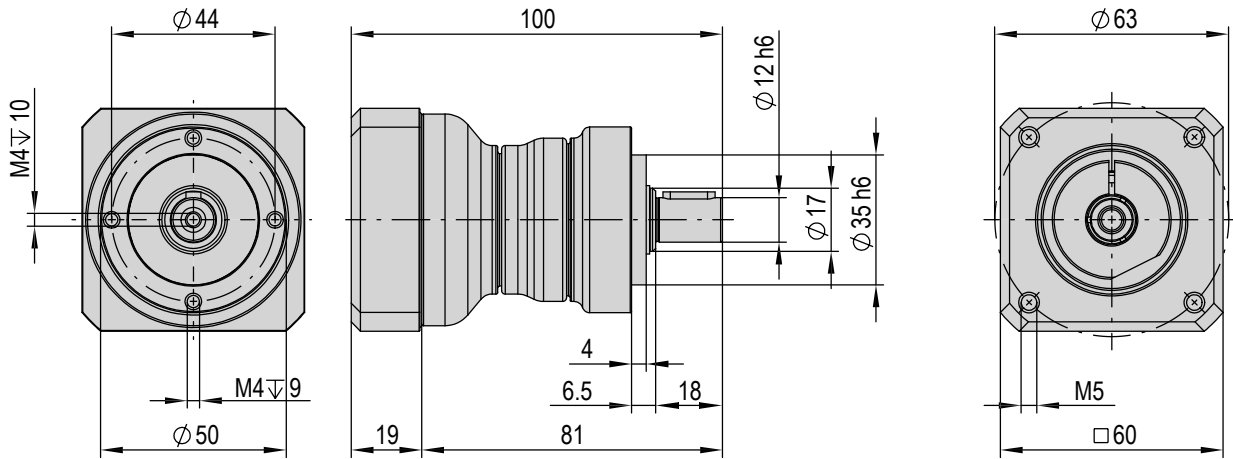
PER: Angular gearbox

AF: Planetary gearbox low-backlash

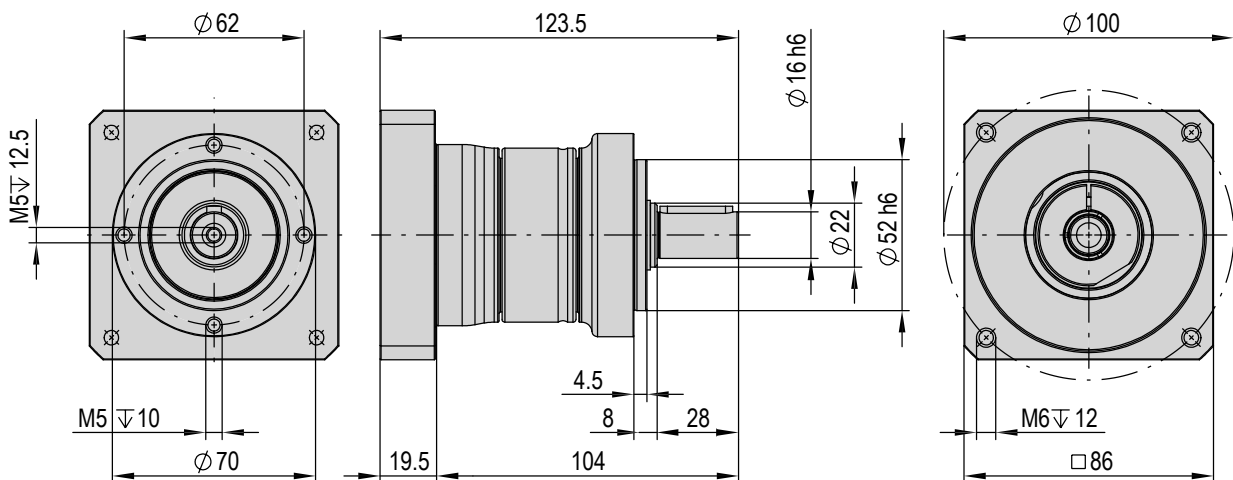
AFR: Angular gearbox low-backlash

Planetary gearbox

Planetary gearbox PE050	PE050-i=5	PE050-i=7	PE050-i=10
Order number	50477897	50477898	50477899
Net weight	1 kg	1 kg	1 kg
Ratio	i = 5	i = 7	i = 10
Backlash	8' arcmin	8' arcmin	8' arcmin

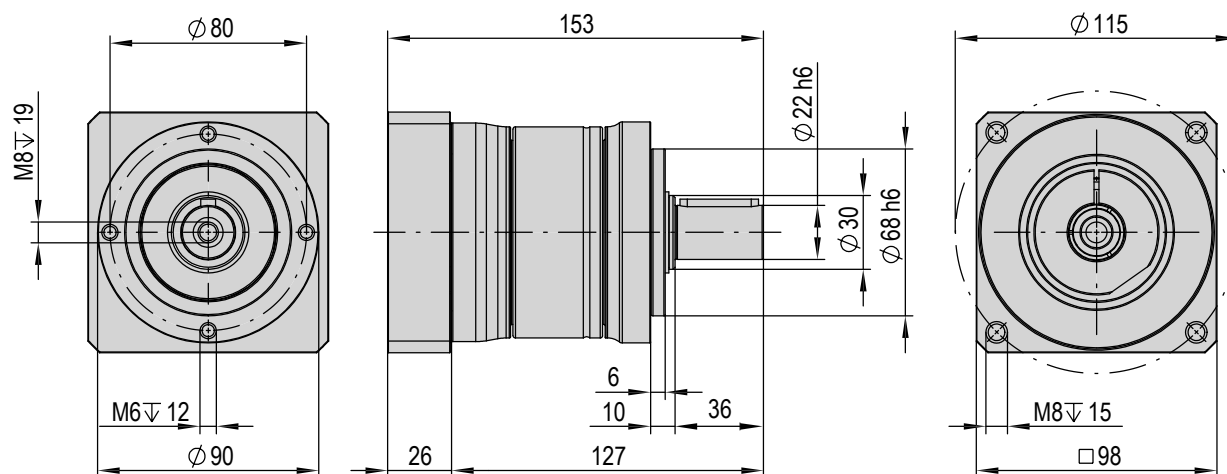


Planetary gearbox PE070	PE070-i=5	PE070-i=7	PE070-i=10
Order number	50477900	50477901	50477902
Net weight	2.2 kg	2.2 kg	2.2 kg
Ratio	i = 5	i = 7	i = 10
Backlash	7' arcmin	7' arcmin	7' arcmin



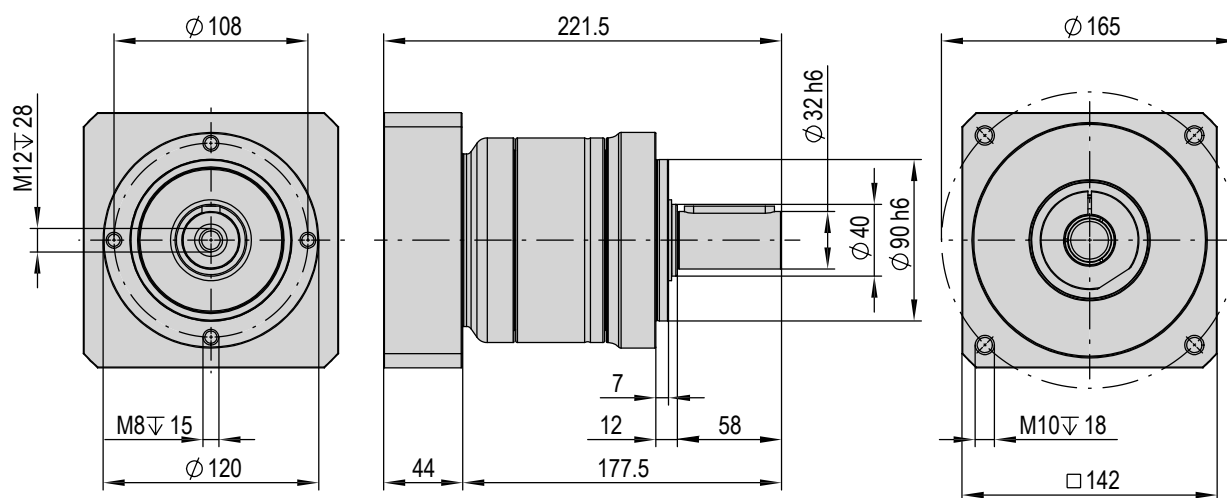
Planetary gearbox

Planetary gearbox PE090	PE090-i=5	PE090-i=7	PE090-i=10
Order number	50477903	50477904	50477905
Net weight	4.5 kg	4.5 kg	4.5 kg
Ratio	i = 5	i = 7	i = 10
Backlash	6' arcmin	6' arcmin	6' arcmin



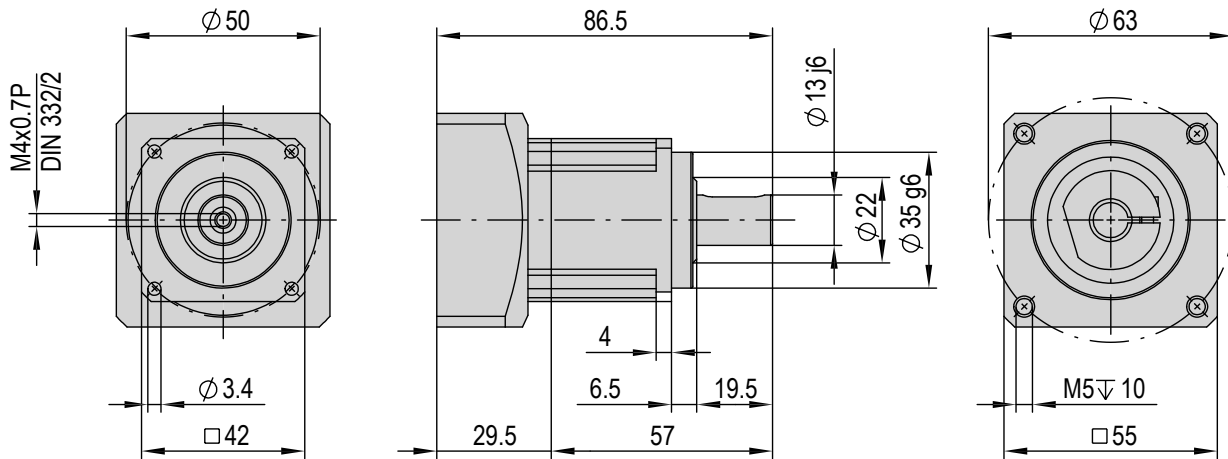
8

Planetary gearbox PE120	PE120-i=5	PE120-i=7	PE120-i=10
Order number	50477906	50477907	50477908
Net weight	12.2 kg	12.2 kg	12.2 kg
Ratio	i = 5	i = 7	i = 10
Backlash	6' arcmin	6' arcmin	6' arcmin

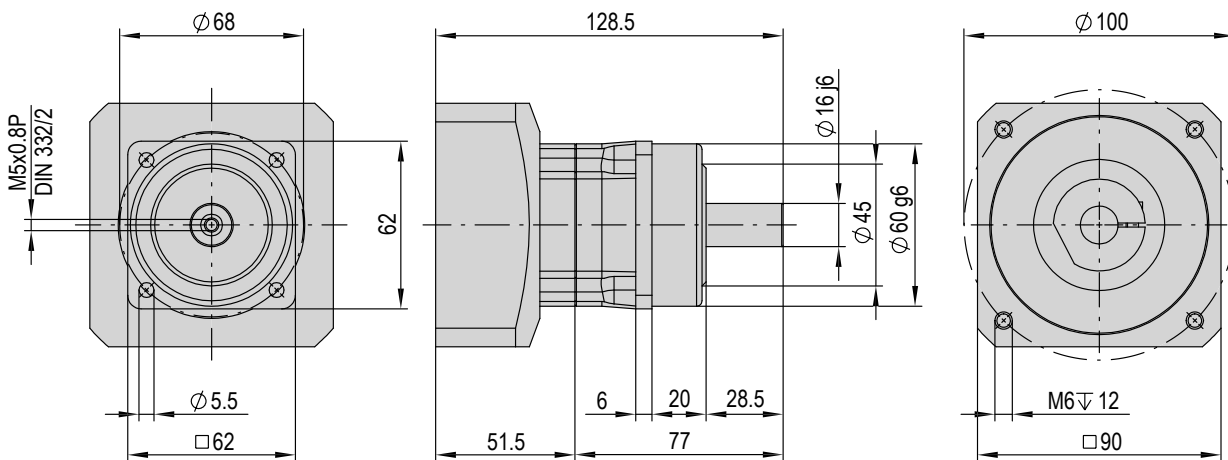


Planetary gearbox

Planetary gearbox AF042	AF042-i=5	AF042-i=7	AF042-i=10
Order number	50467055	50467056	50467057
Net weight	0.6 kg	0.6 kg	0.6 kg
Ratio	i = 5	i = 7	i = 10
Backlash	3' arcmin	3' arcmin	3' arcmin



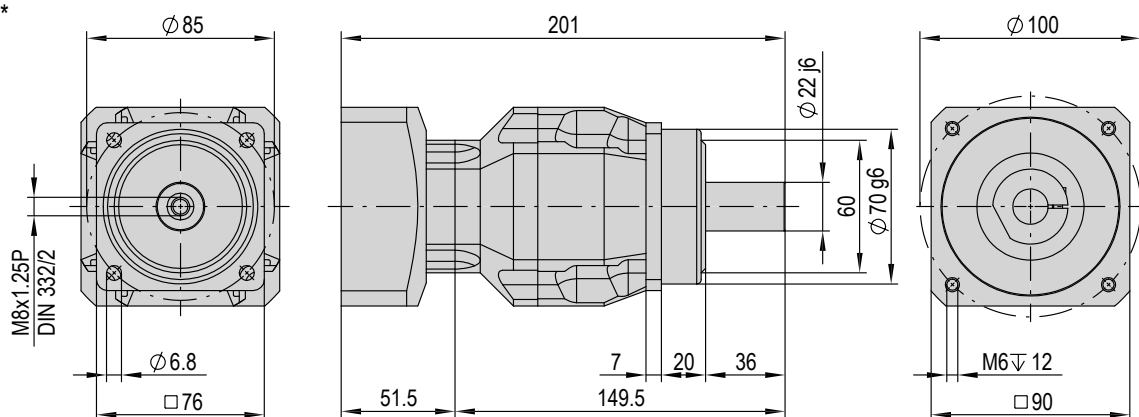
Planetary gearbox AF060	AF060-i=5	AF060-i=7	AF060-i=10
Order number	50467058	50467059	50467060
Net weight	1.3 kg	1.3 kg	1.3 kg
Ratio	i = 5	i = 7	i = 10
Backlash	3' arcmin	3' arcmin	3' arcmin



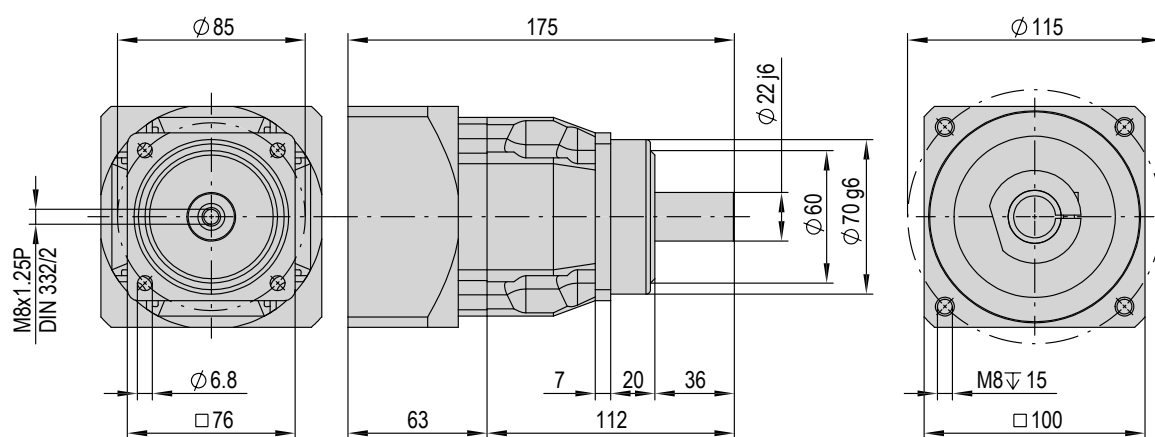
Planetary gearbox

Planetary gearbox AF075	AF075*-i=40	AF075-i=5	AF075-i=7	AF075-i=10
Order number	50458160	50467061	50467062	50467063
Net weight	6.9 kg	3.7 kg	3.7 kg	3.7 kg
Ratio	i = 40	i = 5	i = 7	i = 10
Backlash	5' arcmin	3' arcmin	3' arcmin	3' arcmin

AF075*

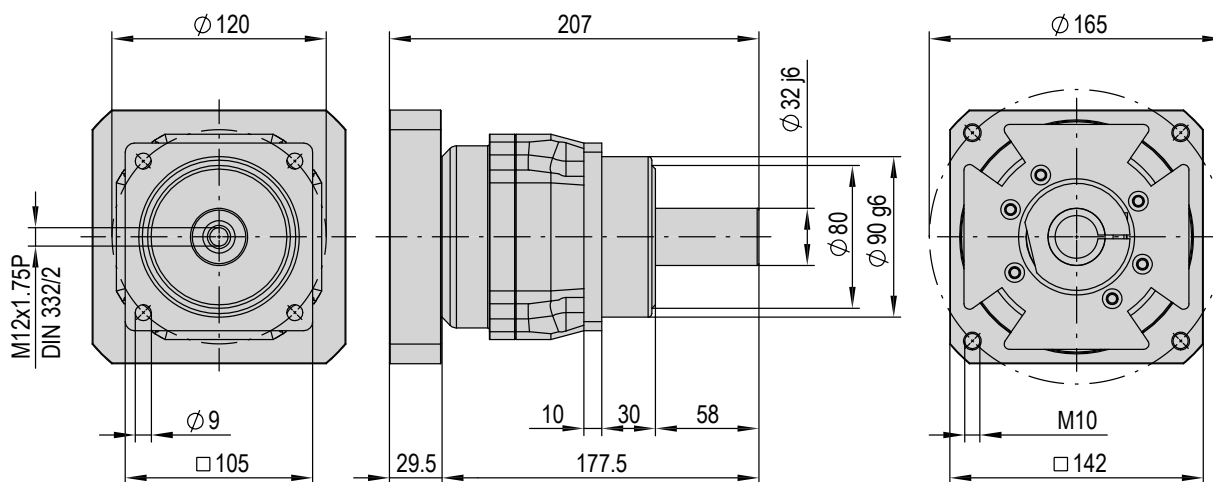


AF075

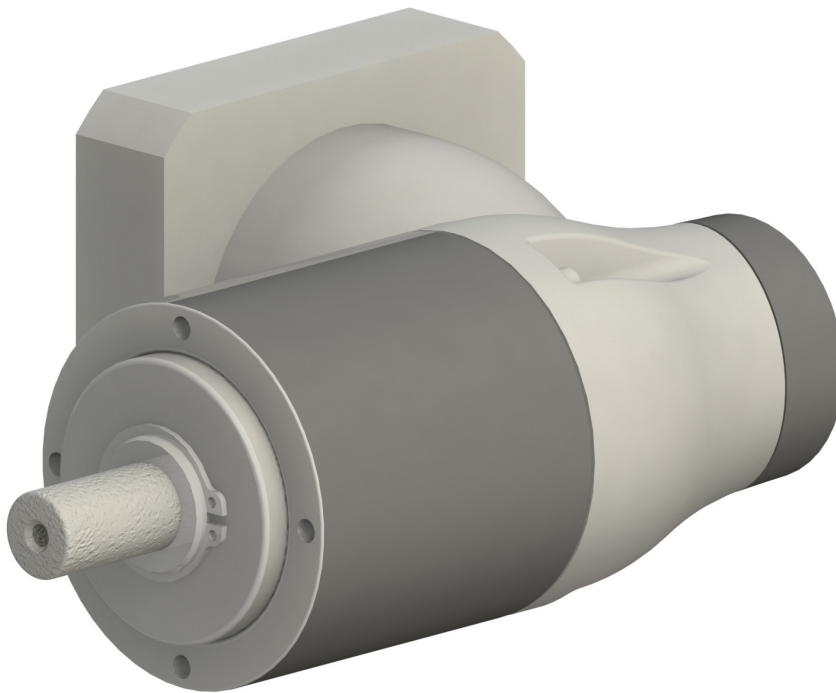


Planetary gearbox

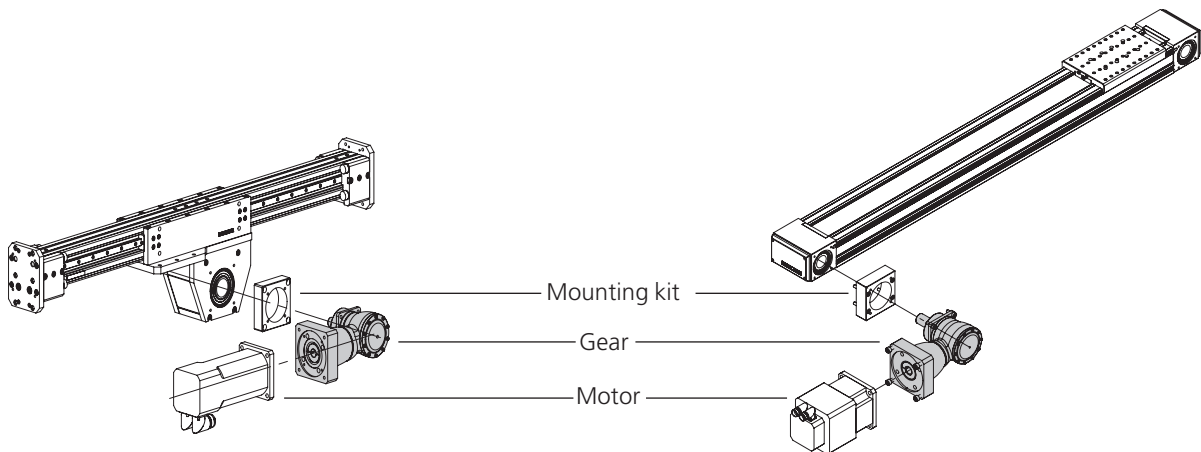
Planetary gearbox AF100	AF100-i=5	AF100-i=7	AF100-i=10
Order number	50467064	50467065	50467066
Net weight	6.9 kg	6.9 kg	6.9 kg
Ratio	i = 5	i = 7	i = 10
Backlash	3' arcmin	3' arcmin	3' arcmin



Angular gearbox



Overview Angular gearbox



Gear-Ratio-Size	Order number	OZ-50	OZ-60	PEZ-52	PEZ-65	PEZ-80	PEZ-100	PDZ-128	PDZ-160	PDZ-200	LTM
PER050-i=5-BG2	50477909			x							
PER050-i=7-BG2	50477910			x							
PER050-i=10-BG2	50477911			x							
PER070-i=5-BG3	50477912	x			x	x		x	x		
PER070-i=7-BG3	50477913	x			x	x		x	x		
PER070-i=10-BG3	50477914	x			x	x		x	x		
PER090-i=5-BG4	50477915		x			x	x		x	x	
PER090-i=7-BG4	50477916		x			x	x		x	x	
PER090-i=10-BG4	50477917		x			x	x		x	x	
PER120-i=5-BG5	50477918						x				x
PER120-i=7-BG5	50477919						x				x
PER120-i=10-BG5	50477920						x				x
AFR042-i=5-BG2	50467067			x							
AFR042-i=7-BG2	50467068			x							
AFR042-i=10-BG2	50467069			x							
AFR060-i=5-BG3	50467070	x			x	x		x	x		
AFR060-i=7-BG3	50467071	x			x	x		x	x		
AFR060-i=10-BG3	50467072	x			x	x		x	x		
AFR075-i=40-BG3	50469108										x
AFR075-i=5-BG4	50467073		x			x	x		x	x	
AFR075-i=7-BG4	50467074		x			x	x		x	x	
AFR075-i=10-BG4	50467075		x			x	x		x	x	
AFR100-i=5-BG5	50467076						x				x
AFR100-i=7-BG5	50467077						x				x
AFR100-i=10-BG5	50467078						x				x

Nomenclature planetary gearbox:

PER070-i=5-BG3

PER070: Suitable gear

i=5: Gear ratio

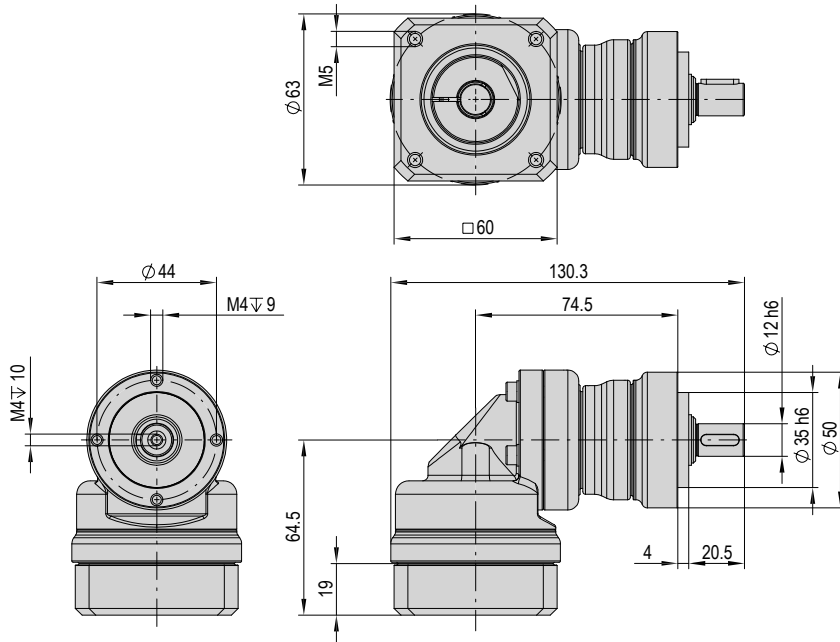
BG3: Suitable motor size

PER: Angular gearbox

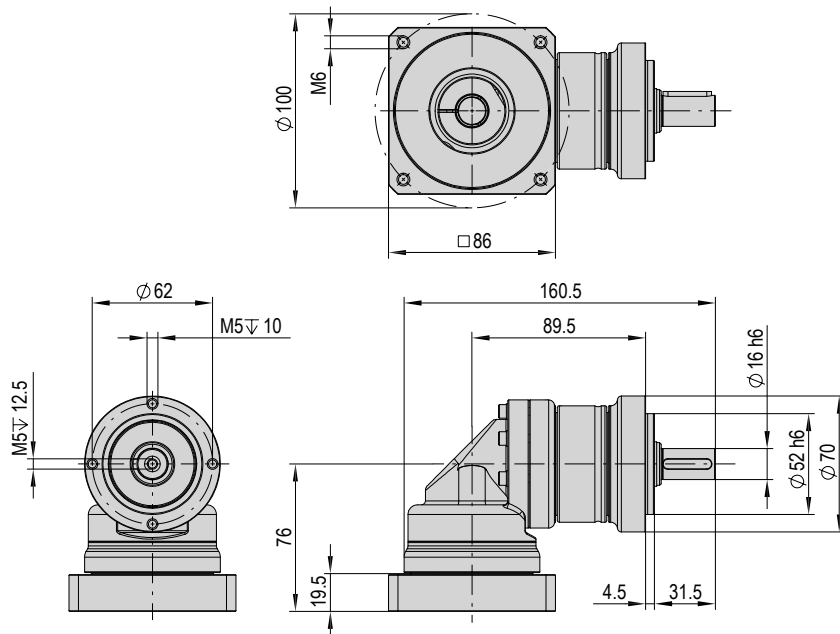
AFR: Angular gearbox low-backlash

Angular gearbox

Angular gearbox PER050	PER050-i=5	PER050-i=7	PER050-i=10
Order number	50477909	50477910	50477911
Net weight	1.5 kg	1.5 kg	1.5 kg
Ratio	i = 5	i = 7	i = 10
Backlash	12' arcmin	12' arcmin	12' arcmin

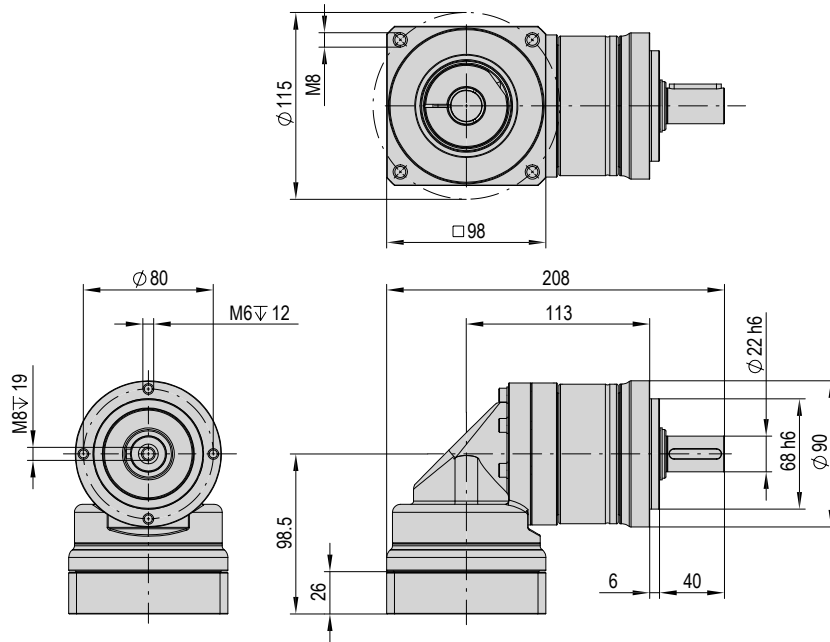


Angular gearbox PER070	PER070-i=5	PER070-i=7	PER070-i=10
Order number	50477912	50477913	50477914
Net weight	3.2 kg	3.2 kg	3.2 kg
Ratio	i = 5	i = 7	i = 10
Backlash	11' arcmin	11' arcmin	11' arcmin

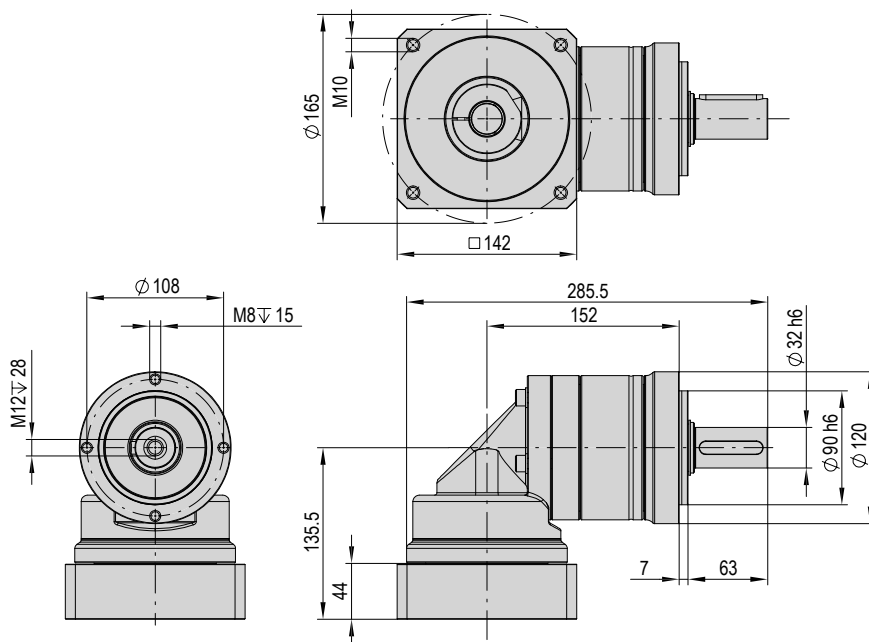


Angular gearbox

Angular gearbox PER090	PER090-i=5	PER090-i=7	PER090-i=10
Order number	50477915	50477916	50477917
Net weight	6.6 kg	6.6 kg	6.6 kg
Ratio	i = 5	i = 7	i = 10
Backlash	10' arcmin	10' arcmin	10' arcmin

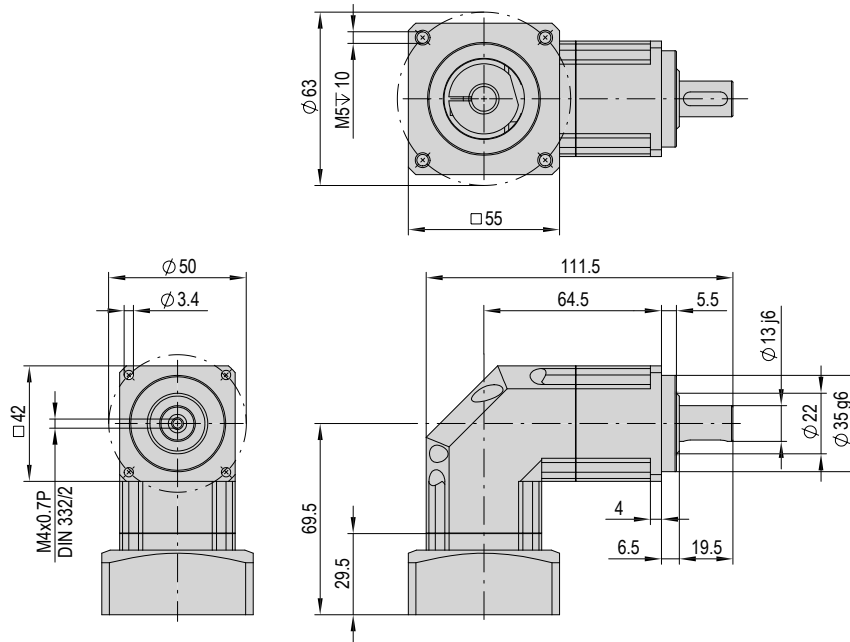


Angular gearbox PER120	PER120-i=5	PER120-i=7	PER120-i=10
Order number	50477918	50477919	50477920
Net weight	16.3 kg	16.3 kg	16.3 kg
Ratio	i = 5	i = 7	i = 10
Backlash	10' arcmin	10' arcmin	10' arcmin

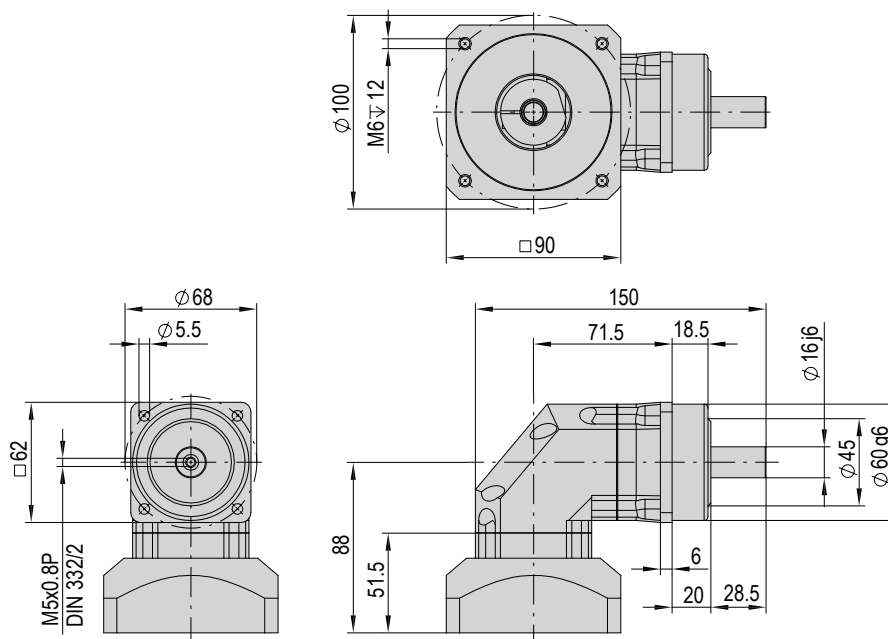


Angular gearbox

Angular gearbox AFR042	AFR042-i=5	AFR042-i=7	AFR042-i=10
Order number	50467067	50467068	50467069
Net weight	0.9 kg	0.9 kg	0.9 kg
Ratio	i = 5	i = 7	i = 10
Backlash	4' arcmin	4' arcmin	4' arcmin



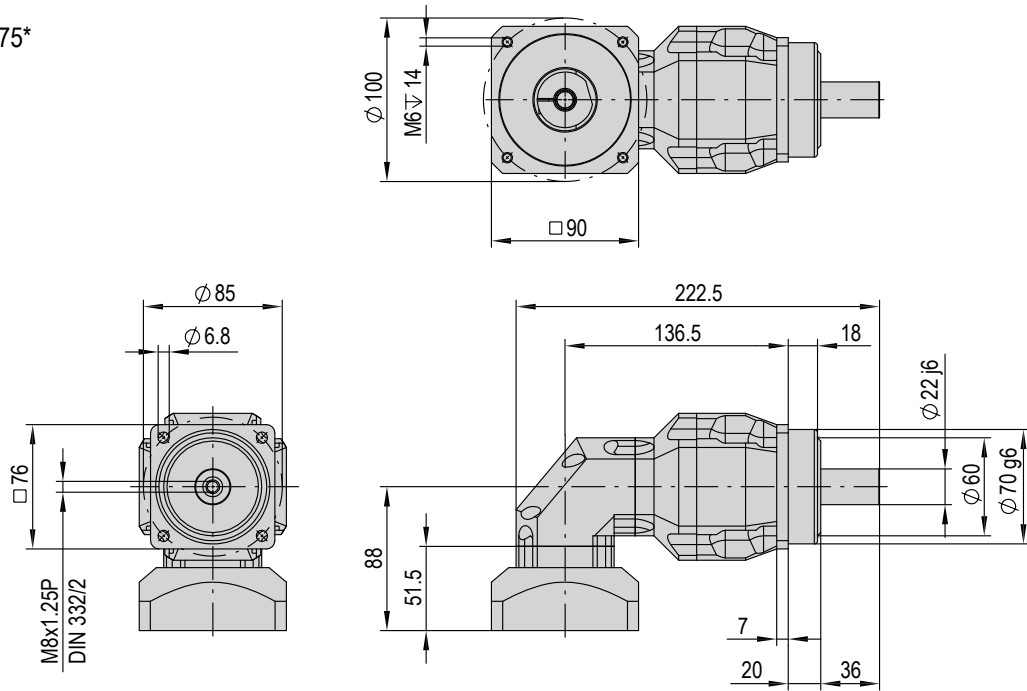
Angular gearbox AFR060	AFR060-i=5	AFR060-i=7	AFR060-i=10
Order number	50467070	50467071	50467072
Net weight	2.1 kg	2.1 kg	2.1 kg
Ratio	i = 5	i = 7	i = 10
Backlash	4' arcmin	4' arcmin	4' arcmin



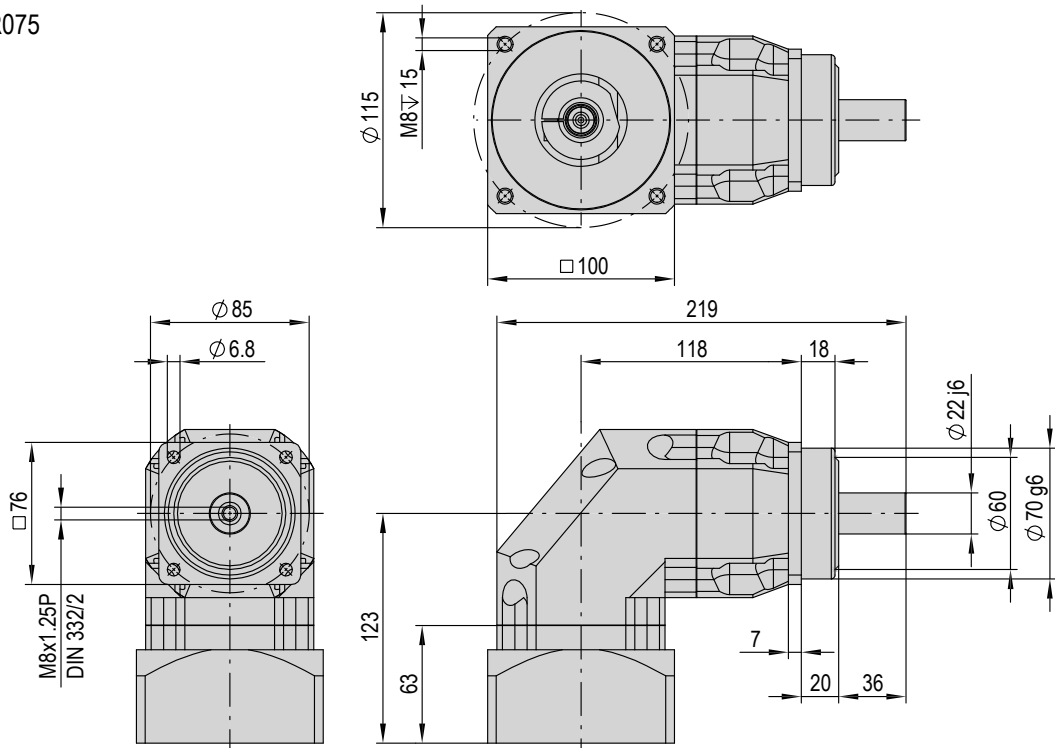
Angular gearbox

Angular gearbox AFR075	AFR075*-i=40	AFR075-i=5	AFR075-i=7	AFR075-i=10
Order number	50469108	50467073	50467074	50467075
Net weight	7.8 kg	6.4 kg	6.4 kg	6.4 kg
Ratio	i = 40	i = 5	i = 7	i = 10
Backlash	7' arcmin	4' arcmin	4' arcmin	4' arcmin

AFR075*

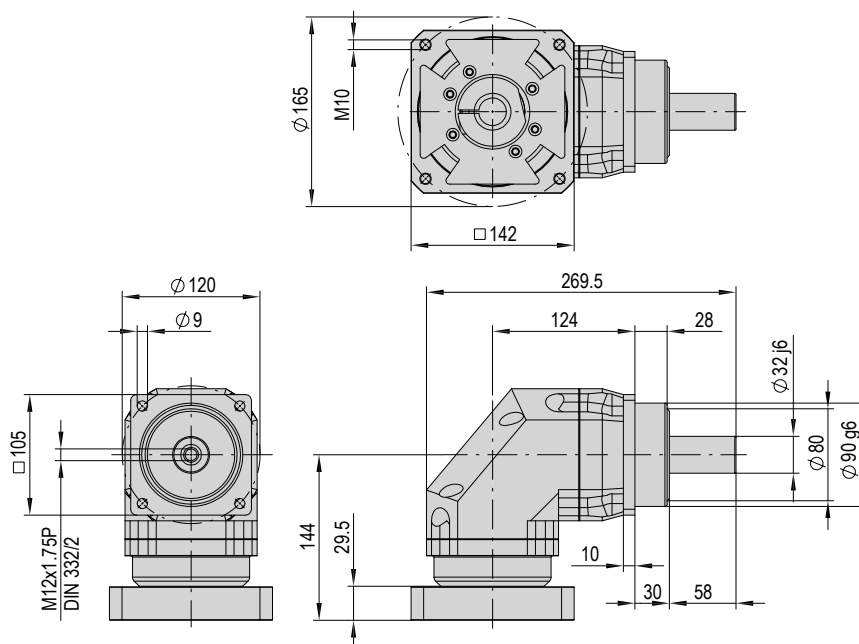


AFR075

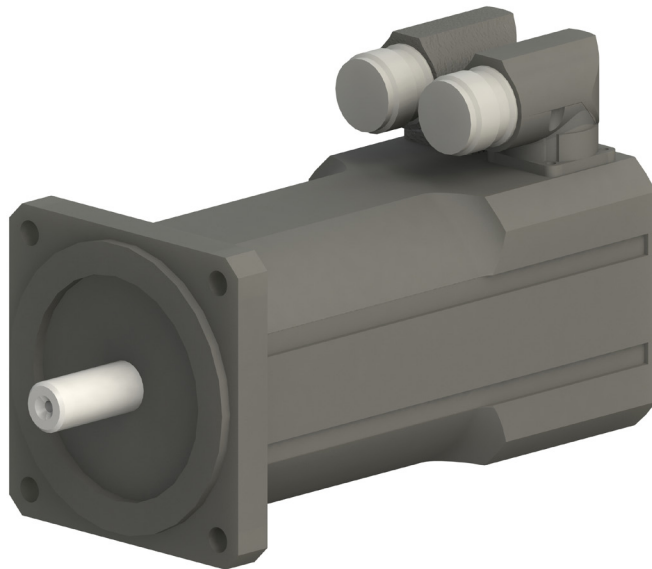


Angular gearbox

Angular gearbox AFR100	AFR100-i=5	AFR100-i=7	AFR100-i=10
Order number	50467076	50467077	50467078
Net weight	13.9 kg	13.9 kg	13.9 kg
Ratio	i = 5	i = 7	i = 10
Backlash	4' arcmin	4' arcmin	4' arcmin



Servomotors



Servomotor		SA-1	SA-3	SA-6	OZ-50	OZ-60	PEZ-52	PEZ-65 PDZ-128	PEZ-80 PDZ-160	PEZ-100 PDZ-200
1-48VDC-060W-60-B-R-x-x	50245909	x								
1-48VDC-060W-60-x-R-x-x	50245908	x								
1-48VDC-120W-60-B-R-x-x	50241568		x							
1-48VDC-120W-60-x-R-x-x	50241566		x							
11-72VDC-060W-60-B-l-x-x	50485433	x								
11-72VDC-060W-60-x-l-x-x	50495876	x								
11-72VDC-120W-60-B-l-x-x	50485434		x							
11-72VDC-120W-60-x-l-x-x	50495877		x							
11-320VDC-060W-60-B-R-x-x	50495879	x								
11-320VDC-060W-60-x-R-x-x	50495878	x								
11-320VDC-120W-60-B-R-x-x	50495881		x							
11-320VDC-120W-60-x-R-x-x	50495880		x							
2-48VDC-400W-45-B-R-x-x	50101763			x			x	x		
2-48VDC-400W-45-x-R-x-x	50101762			x			x	x		
2-48VDC-400W-45-B-R-IO-01	50101758			x			x	x		
2-48VDC-400W-45-x-R-IO-01	50101757			x			x	x		
2-48VDC-400W-45-B-R-PB-01	50101761			x			x	x		
2-48VDC-400W-45-x-R-PB-01	50101760			x			x	x		
21-72VDC-400W-45-B-l-x-x	50485435			x			x	x		
21-72VDC-400W-45-x-l-x-x	50495882			x			x	x		
21-320VDC-400W-45-B-R-x-x	50495884			x			x	x		
21-320VDC-400W-45-x-R-x-x	50495883			x			x	x		
3-48VDC-700W-30-B-R-IO-01	50217849							x		
3-48VDC-700W-30-x-R-IO-01	50166928							x		
3-48VDC-700W-30-B-R-PB-01	50217848							x		
3-48VDC-700W-30-x-R-PB-01	50166927							x		
31-320VDC-950W-45-B-R-x-x	50503160				x			x	x	
31-320VDC-950W-45-x-R-x-x	50503156				x			x	x	
31-560VDC-950W-45-B-l-x-x	50485436				x			x	x	
31-560VDC-950W-45-x-l-x-x	50495885				x			x	x	
31-560VDC-950W-45-B-R-x-x	50495887				x			x	x	
31-560VDC-950W-45-x-R-x-x	50495886				x			x	x	
41-560VDC-2.8kW-45-B-l-x-x	50485437					x			x	x
41-560VDC-2.8kW-45-x-l-x-x	50495888					x			x	x
41-560VDC-2.8kW-45-B-R-x-x	50495890					x			x	x
41-560VDC-2.8kW-45-x-R-x-x	50495889					x			x	x
51-560VDC-5.0kW-45-B-l-x-x	50485438									x
51-560VDC-5.0kW-45-x-l-x-x	50495891									x
51-560VDC-5.0kW-45-B-R-x-x	50495893									x
51-560VDC-5.0kW-45-x-R-x-x	50495892									x

Nomenclature servomotor:
2-48VDC-700W-45-B-R-IO-01

2: Motor size
48VDC: Intermediate circuit voltage
700W: Power

45: Rotational speed 100/min
B: Brake (B: yes, x: no)
R: Encoder system
(R: Resolver, I: Incremental)

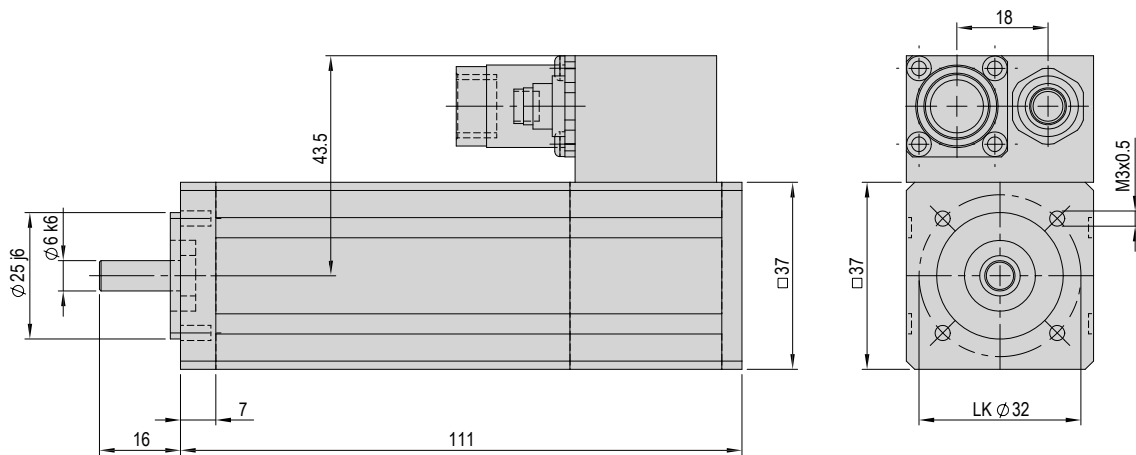
IO: Controller (x: no, IO: digital
In-/Outputs, PB: Profibus)
01: Version

Servomotors 1

Servomotor-1-48VDC-060W-60-B-R-x-x

with brake

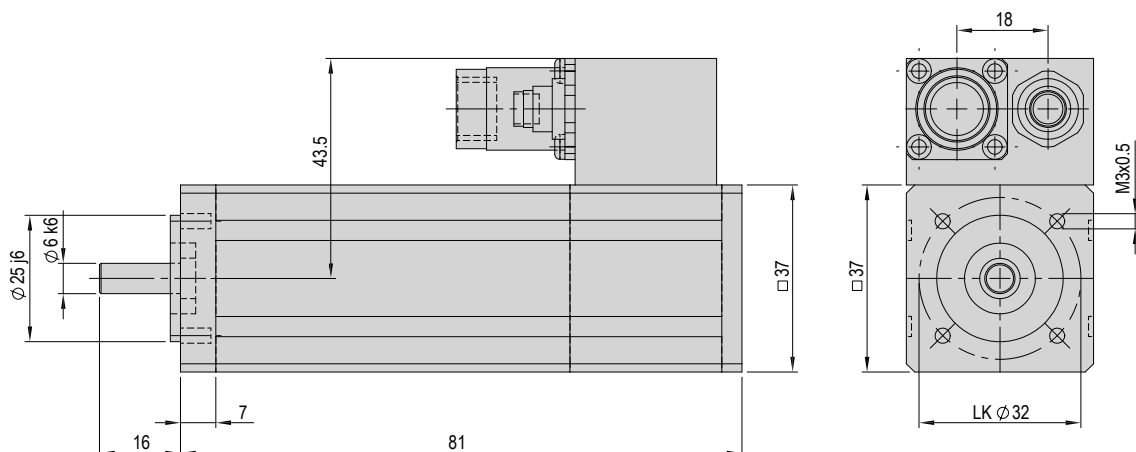
Order number	50245909
Net weight	0.5 kg
Peak torque	0.4 Nm
Nominal torque	0.09 Nm
Standstill torque	0.1 Nm
Torque of inertia	0.035 kgcm ²
Nominal current	2.5 A
Maximum current	11.1 A
Nominal speed	6000 rpm



Servomotor-1-48VDC-060W-60-x-R-x-x

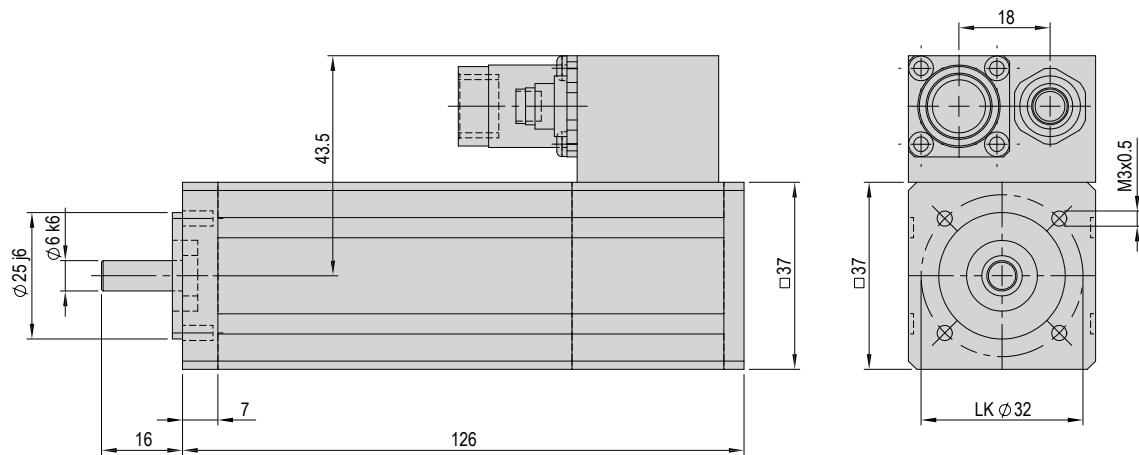
without brake

Order number	50245908
Net weight	0.4 kg
Peak torque	0.4 Nm
Nominal torque	0.09 Nm
Standstill torque	0.1 Nm
Torque of inertia	0.02 kgcm ²
Nominal current	2.5 A
Maximum current	11.1 A
Nominal speed	6000 rpm

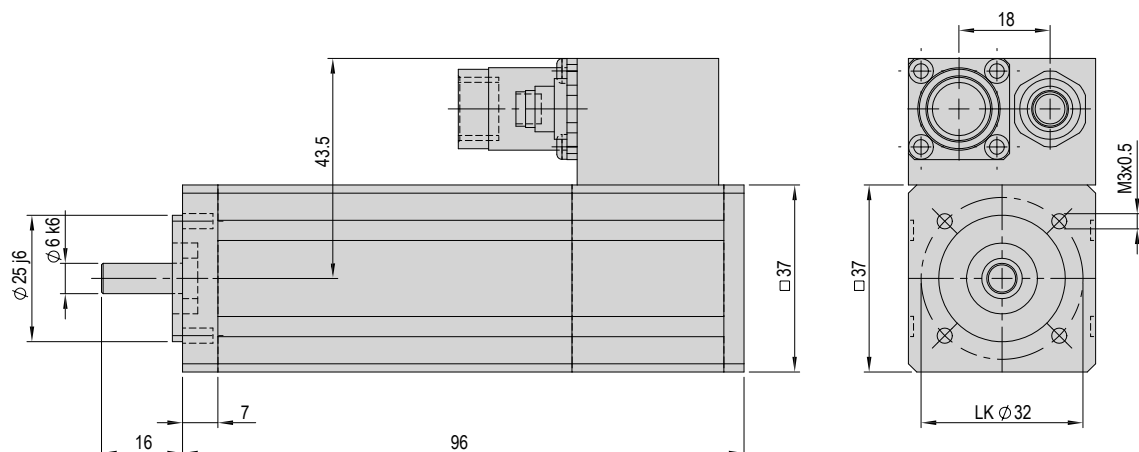


Servomotors 1

Servomotor-1-48VDC-120W-60-B-R-x-x		with brake
Order number		50241568
Net weight		0.6 kg
Peak torque		0.8 Nm
Nominal torque		0.18 Nm
Standstill torque		0.2 Nm
Torque of inertia		0.075 kgcm ²
Nominal current		3.7 A
Maximum current		16.5 A
Nominal speed		6000 rpm

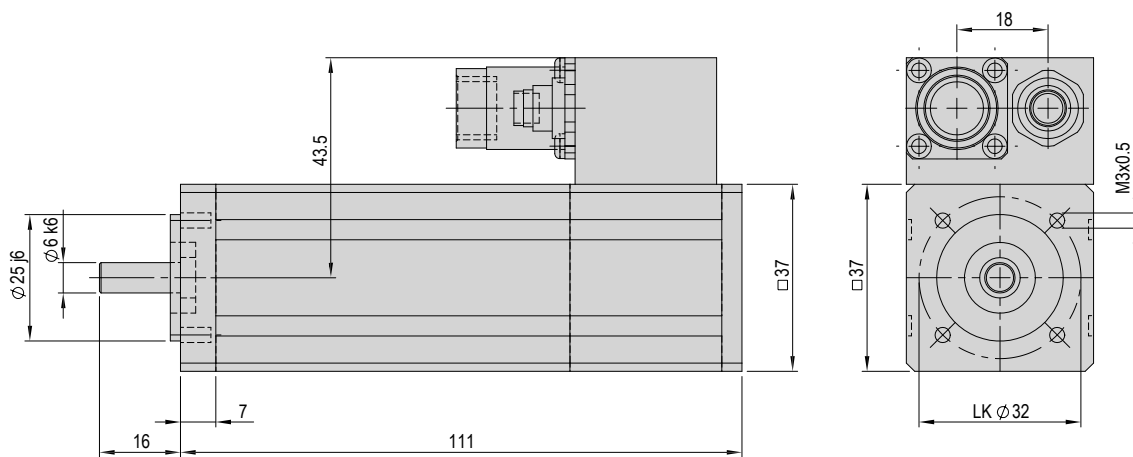


Servomotor-1-48VDC-120W-60-x-R-x-x		without brake
Order number		50241566
Net weight		0.5 kg
Peak torque		0.8 Nm
Nominal torque		0.18 Nm
Standstill torque		0.2 Nm
Torque of inertia		0.06 kgcm ²
Nominal current		3.7 A
Maximum current		16.5 A
Nominal speed		6000 rpm

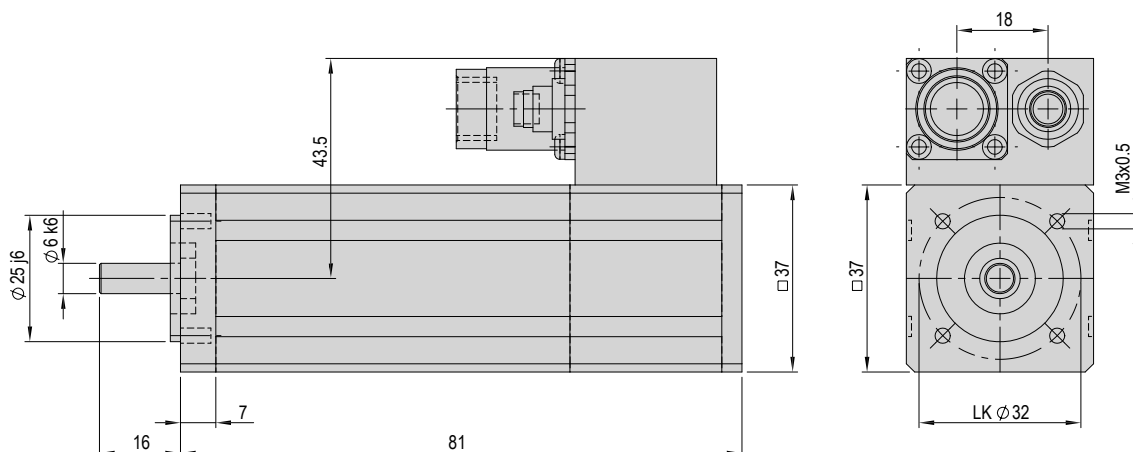


Servomotors 11

Servomotor-11-72VDC-60W-60-B-I-x-x		with brake
Order number		50485433
Net weight		0.5 kg
Peak torque		0.4 Nm
Nominal torque		0.09 Nm
Standstill torque		0.1 Nm
Torque of inertia		0.035 kgcm ²
Nominal current		1.27 A
Maximum current		5.6 A
Nominal speed		6000 rpm



Servomotor-11-72VDC-060W-60-x-I-x-x		without brake
Order number		50495876
Net weight		0.4 kg
Peak torque		0.4 Nm
Nominal torque		0.09 Nm
Standstill torque		0.1 Nm
Torque of inertia		0.02 kgcm ²
Nominal current		1.27 A
Maximum current		5.6 A
Nominal speed		6000 rpm



Servomotors 11

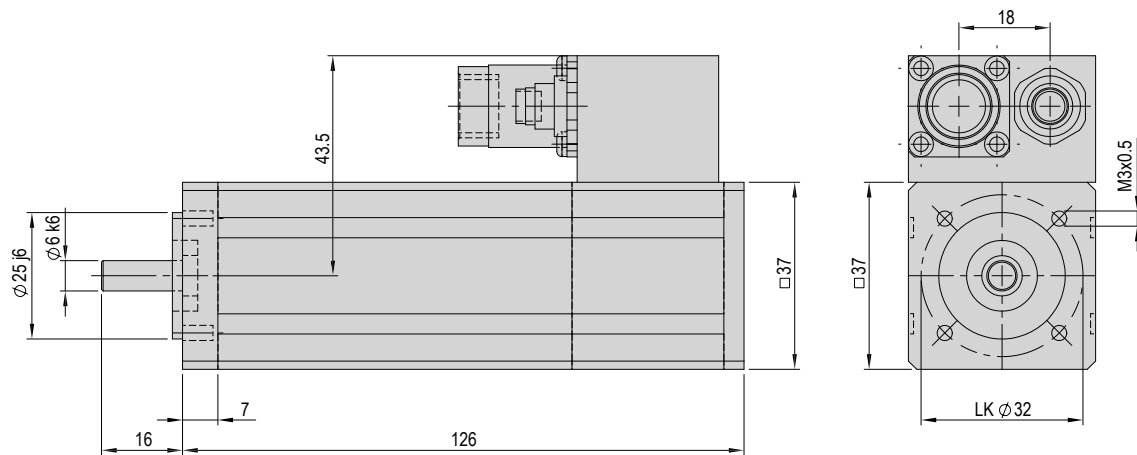
Servomotor-11-72VDC-120W-60-B-I-x-x

with brake

Order number

50485434

Net weight	0.6 kg
Peak torque	0.8 Nm
Nominal torque	0.18 Nm
Standstill torque	0.2 Nm
Torque of inertia	0.075 kgcm ²
Nominal current	2.2 A
Maximum current	9.8 A
Nominal speed	6000 rpm



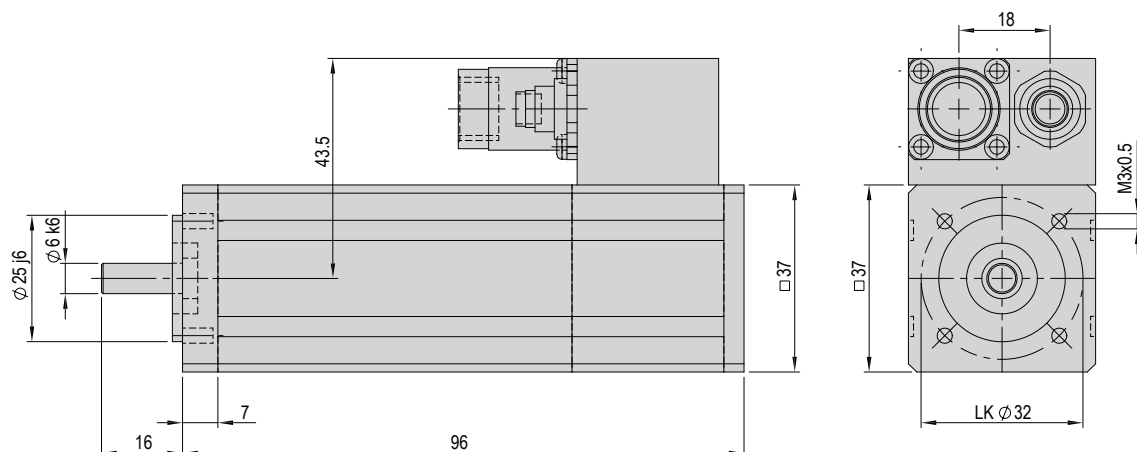
Servomotor-11-72VDC-120W-60-x-I-x-x

without brake

Order number

50495877

Net weight	0.5 kg
Peak torque	0.8 Nm
Nominal torque	0.18 Nm
Standstill torque	0.2 Nm
Torque of inertia	0.06 kgcm ²
Nominal current	2.2 A
Maximum current	9.8 A
Nominal speed	6000 rpm

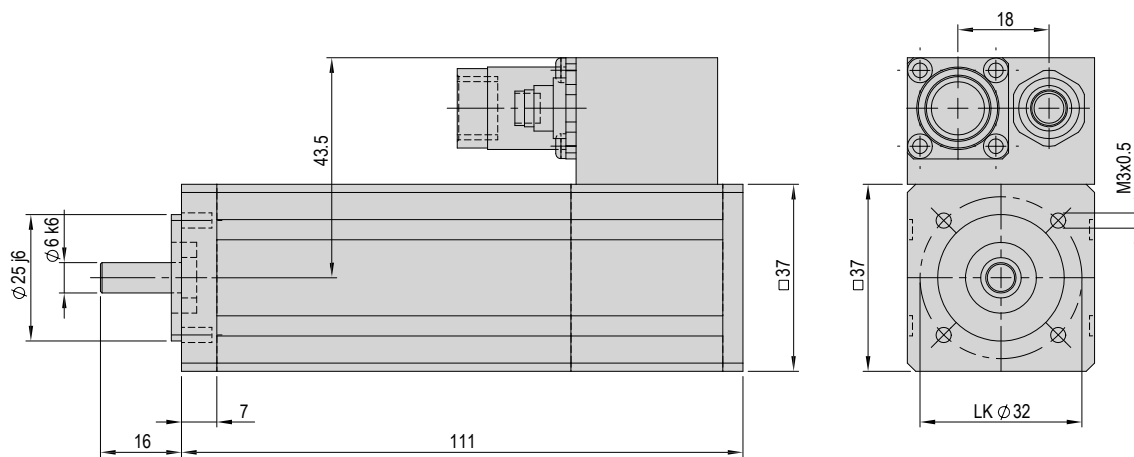


Servomotors 11

Servomotor-11-320VDC-060W-60-B-R-x-x

with brake

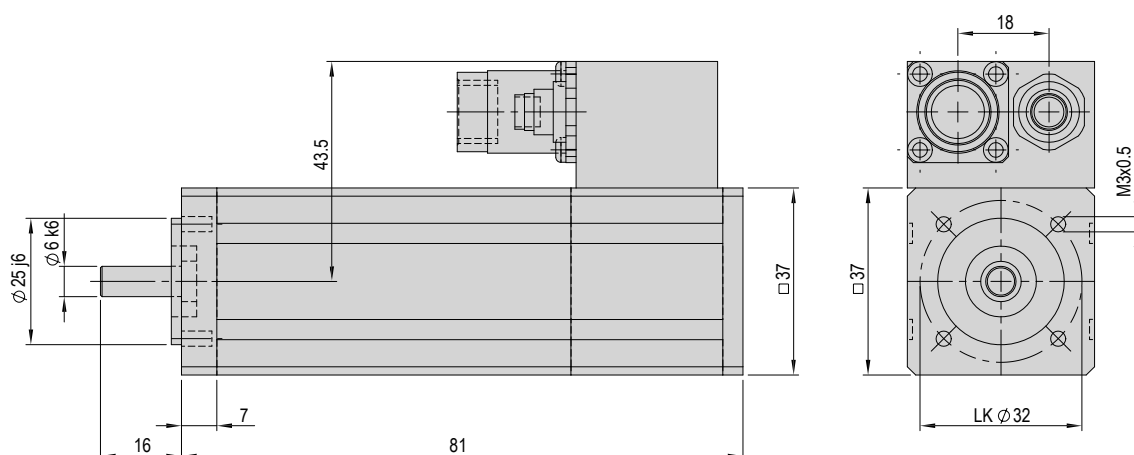
Order number	50495879
Net weight	0.5 kg
Peak torque	0.4 Nm
Nominal torque	0.09 Nm
Standstill torque	0.1 Nm
Torque of inertia	0.035 kgcm ²
Nominal current	0.52 A
Maximum current	2.3 A
Nominal speed	6000 rpm



Servomotor-11-320VDC-060W-60-x-R-x-x

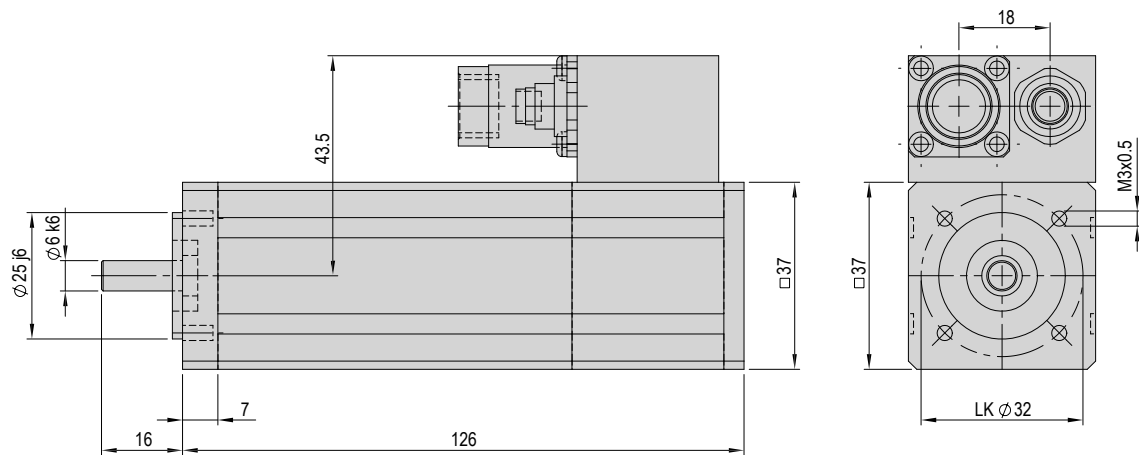
without brake

Order number	50495878
Net weight	0.4 kg
Peak torque	0.4 Nm
Nominal torque	0.09 Nm
Standstill torque	0.1 Nm
Torque of inertia	0.02 kgcm ²
Nominal current	0.52 A
Maximum current	2.3 A
Nominal speed	6000 rpm

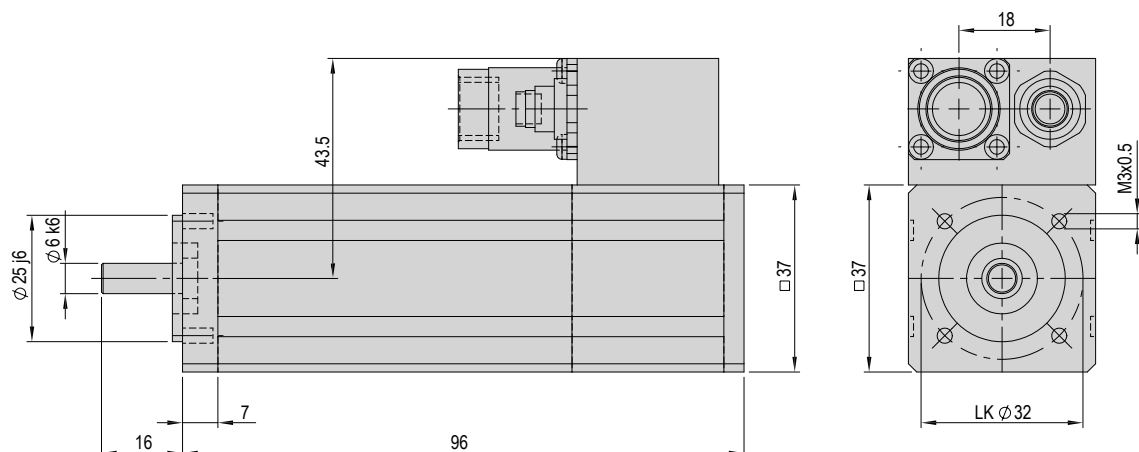


Servomotors 11

Servomotor-11-320VDC-120W-60-B-R-x-x		with brake
Order number		50495881
Net weight		0.6 kg
Peak torque		0.8 Nm
Nominal torque		0.18 Nm
Standstill torque		0.2 Nm
Torque of inertia		0.075 kgcm ²
Nominal current		0.86 A
Maximum current		3.9 A
Nominal speed		6000 rpm



Servomotor-11-320VDC-120W-60-x-R-x-x		without brake
Order number		50495880
Net weight		0.5 kg
Peak torque		0.8 Nm
Nominal torque		0.18 Nm
Standstill torque		0.2 Nm
Torque of inertia		0.06 kgcm ²
Nominal current		0.86 A
Maximum current		3.9 A
Nominal speed		6000 rpm

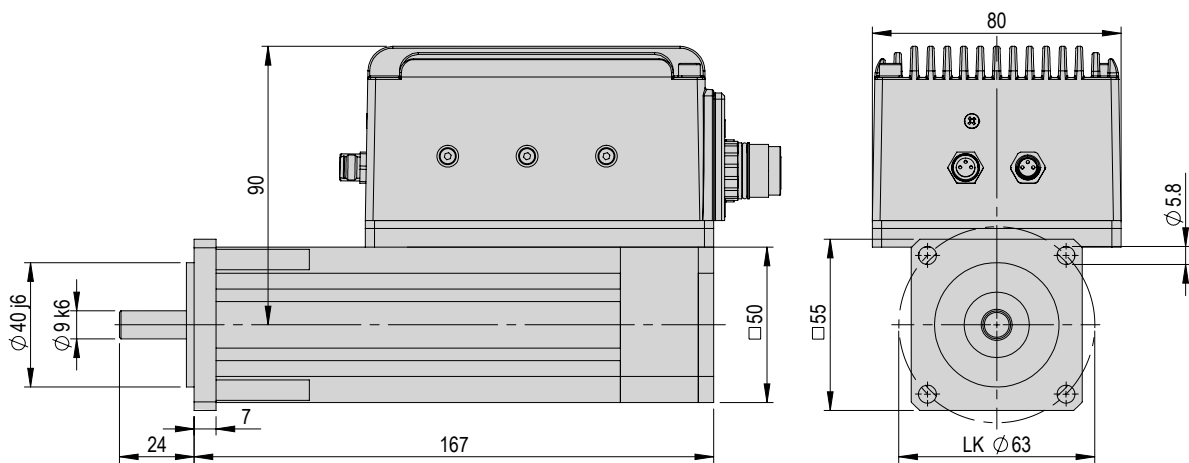


Servomotors 2

Servomotor-2-48VDC-400W-45-B-R-x-x

with brake

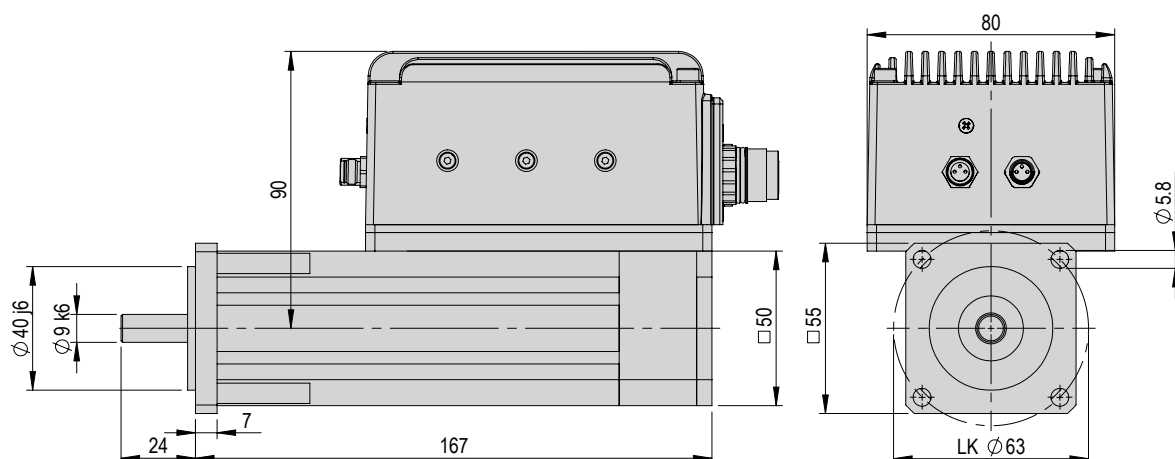
Order number	50101763
Net weight	1.6 kg
Peak torque	3.6 Nm
Nominal torque	0.84 Nm
Standstill torque	0.95 Nm
Torque of inertia	0.2 kgcm ²
Nominal current	11.8 A
Maximum current	12.9 A
Nominal speed	4500 rpm



Servomotor-2-48VDC-400W-45-x-R-x-x

without brake

Order number	50101762
Net weight	1.4 kg
Peak torque	3.6 Nm
Nominal torque	0.84 Nm
Standstill torque	0.95 Nm
Torque of inertia	0.12 kgcm ²
Nominal current	11.8 A
Maximum current	12.9 A
Nominal speed	4500 rpm



Servomotors 2

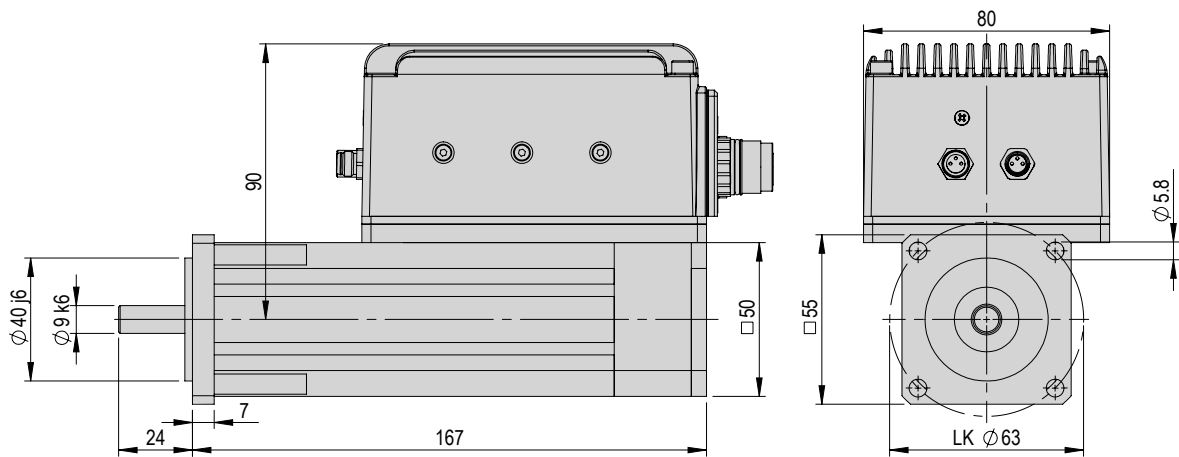
Servomotor-2-48VDC-400W-45-B-R-IO-01

with brake

Order number

50101758

Net weight	2.5 kg
Peak torque	3.6 Nm
Nominal torque	0.84 Nm
Standstill torque	0.95 Nm
Torque of inertia	0.2 kgcm ²
Nominal current	11.8 A
Maximum current	12.9 A
Nominal speed	4500 rpm



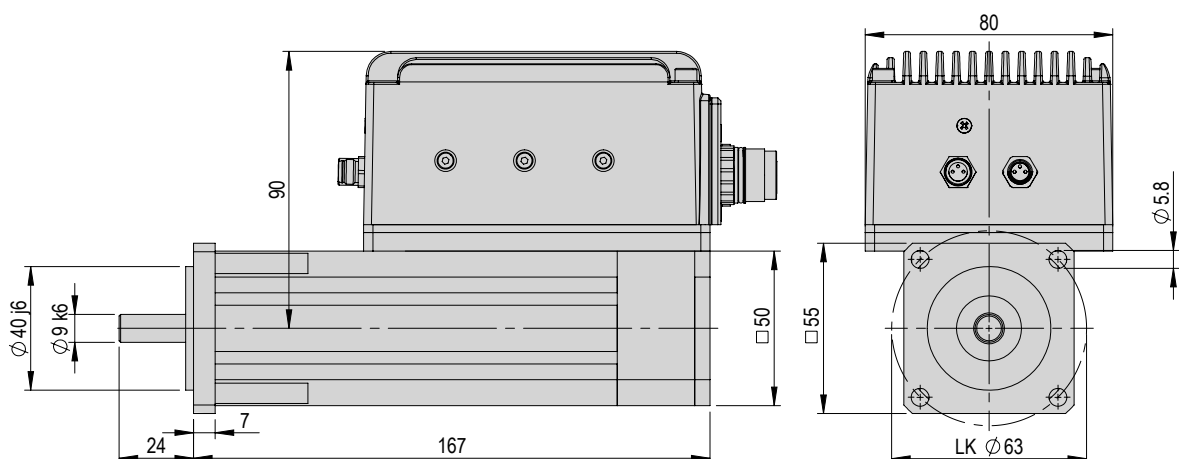
Servomotor-2-48VDC-400W-45-x-R-IO-01

without brake

Order number

50101757

Net weight	2.3 kg
Peak torque	3.6 Nm
Nominal torque	0.84 Nm
Standstill torque	0.95 Nm
Torque of inertia	0.12 kgcm ²
Nominal current	11.8 A
Maximum current	12.9 A
Nominal speed	4500 rpm

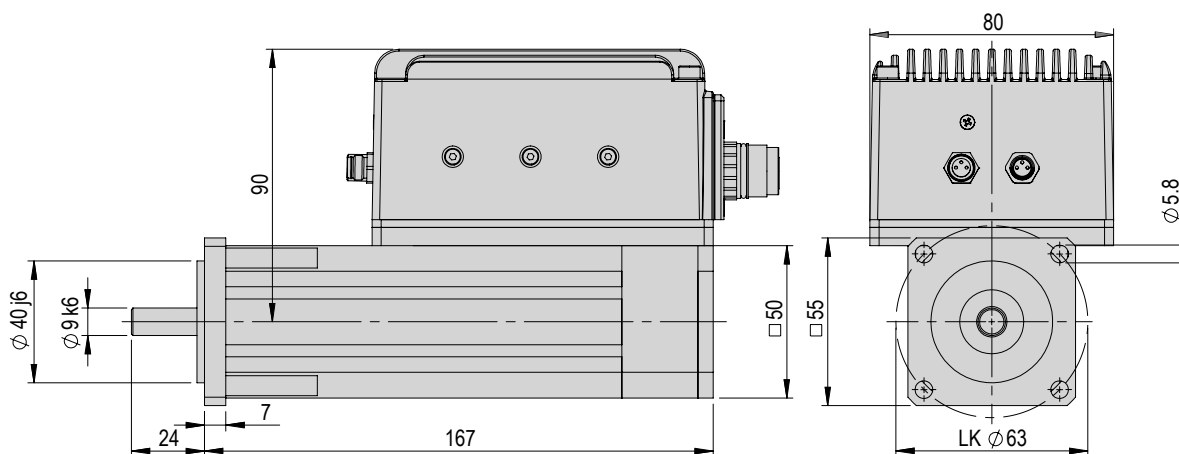


Servomotors 2

Servomotor-2-48VDC-400W-45-B-R-PB-01

with brake

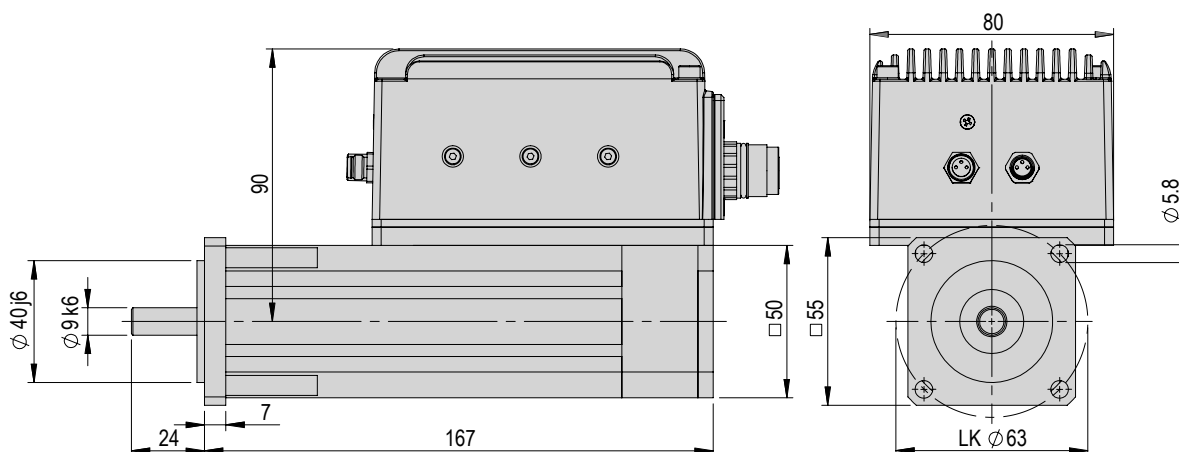
Order number	50101761
Net weight	2.5 kg
Peak torque	3.6 Nm
Nominal torque	0.84 Nm
Standstill torque	0.95 Nm
Torque of inertia	0.2 kgcm ²
Nominal current	11.8 A
Maximum current	12.9 A
Nominal speed	4500 rpm



Servomotor-2-48VDC-400W-45-x-R-PB-01

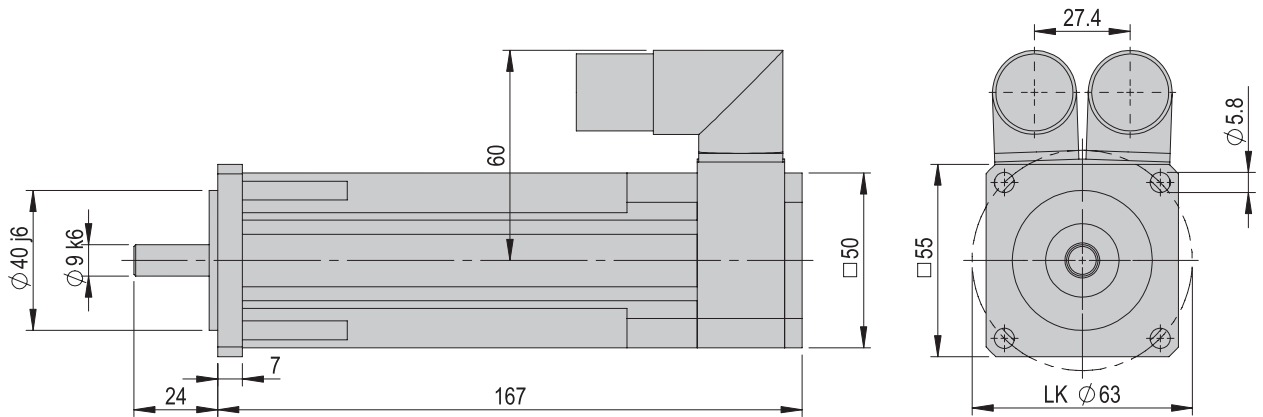
without brake

Order number	50101760
Net weight	2.3 kg
Peak torque	3.6 Nm
Nominal torque	0.84 Nm
Standstill torque	0.95 Nm
Torque of inertia	0.12 kgcm ²
Nominal current	11.8 A
Maximum current	12.9 A
Nominal speed	4500 rpm

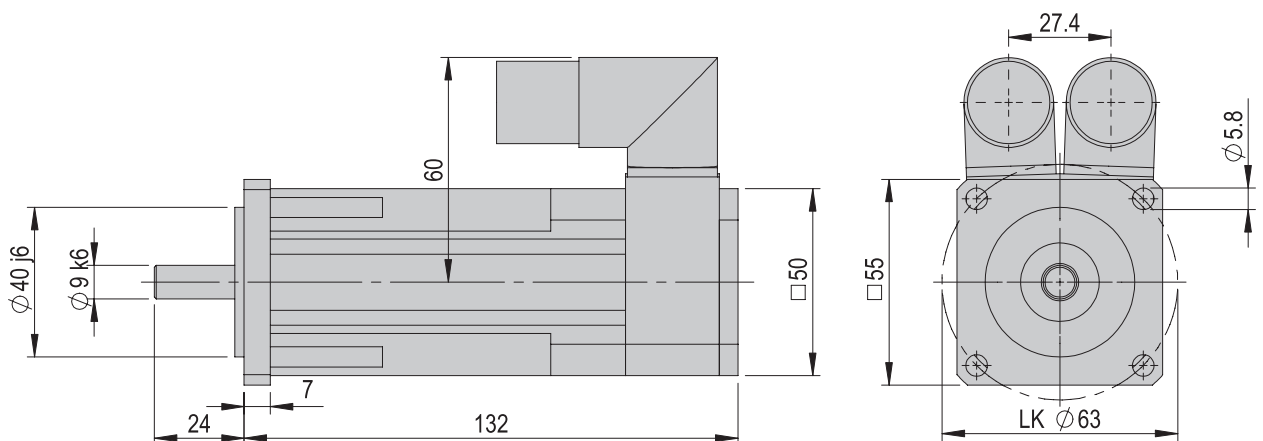


Servomotors 21

Servomotor-21-72VDC-400W-45-B-I-x-x		with brake
Order number		50485435
Net weight		1.6 kg
Peak torque		3.8 Nm
Nominal torque		0.85 Nm
Standstill torque		0.95 Nm
Torque of inertia		0.19 kgcm ²
Nominal current		6.5 A
Maximum current		32 A
Nominal speed		4500 rpm

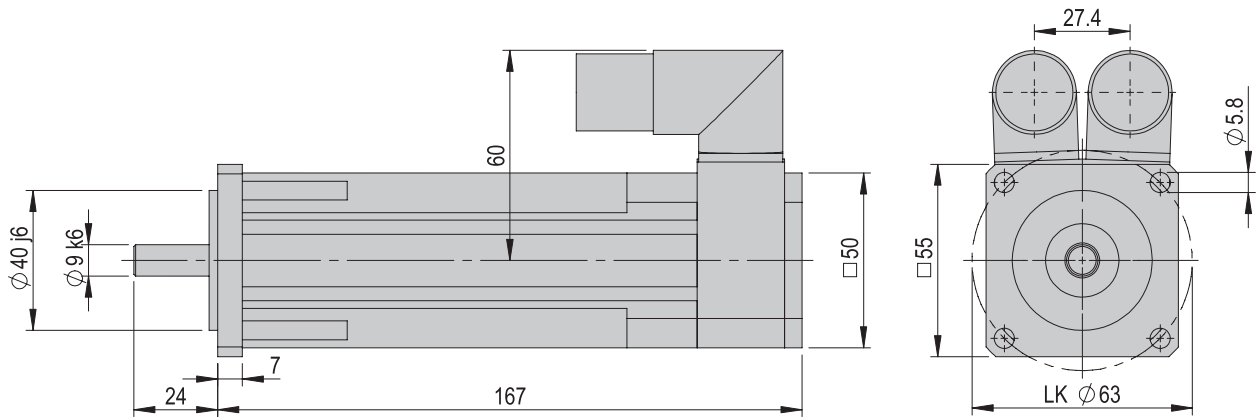


Servomotor-21-72VDC-400W-45-x-I-x-x		without brake
Order number		50495882
Net weight		1.2 kg
Peak torque		3.8 Nm
Nominal torque		0.85 Nm
Standstill torque		0.95 Nm
Torque of inertia		0.11 kgcm ²
Nominal current		6.5 A
Maximum current		32 A
Nominal speed		4500 rpm

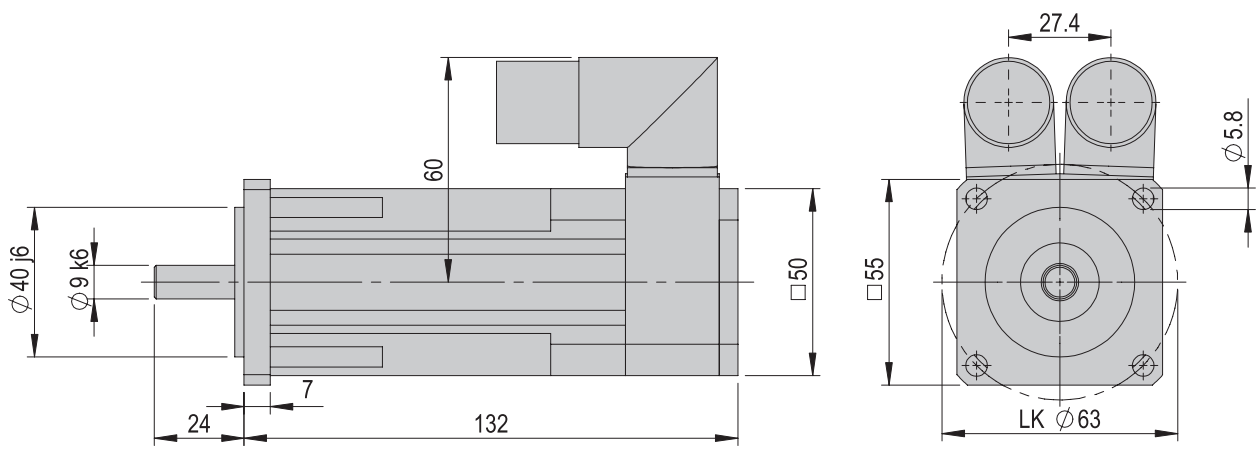


Servomotors 21

Servomotor-21-320VDC-400W-45-B-R-x-x		with brake
Order number		50495884
Net weight		1.6 kg
Peak torque		3.8 Nm
Nominal torque		0.85 Nm
Standstill torque		0.95 Nm
Torque of inertia		0.19 kgcm ²
Nominal current		1.7 A
Maximum current		8.4 A
Nominal speed		4500 rpm



Servomotor-21-320VDC-400W-45-x-R-x-x		without brake
Order number		50495883
Net weight		1.2 kg
Peak torque		3.8 Nm
Nominal torque		0.85 Nm
Standstill torque		0.95 Nm
Torque of inertia		0.11 kgcm ²
Nominal current		1.7 A
Maximum current		8.4 A
Nominal speed		4500 rpm



Servomotors 3

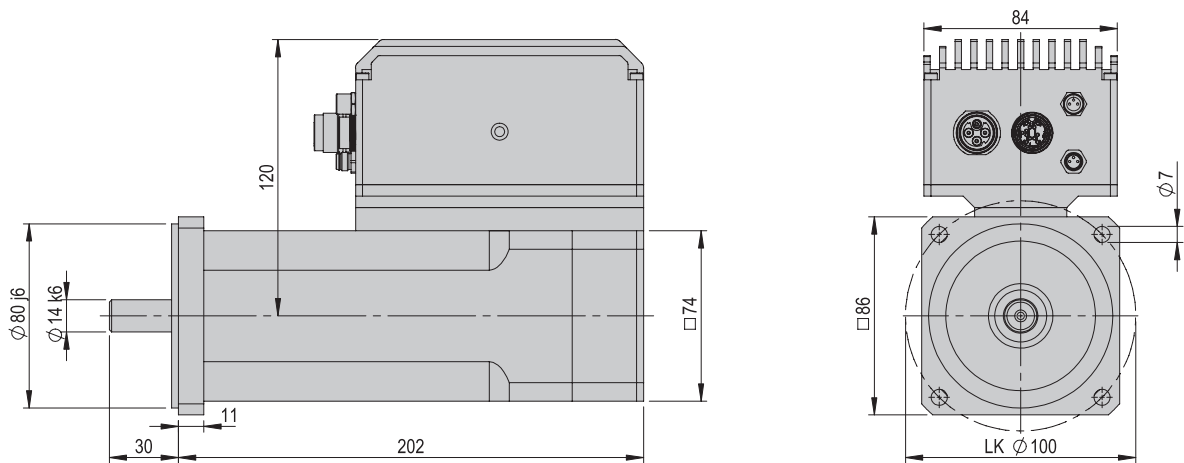
Servomotor-3-48VDC-700W-30-B-R-IO-01

with brake

Order number

50217849

Net weight	8.6 kg
Peak torque	10 Nm
Nominal torque	2.2 Nm
Standstill torque	2.5 Nm
Torque of inertia	1.6 kgcm ²
Nominal current	14.5 A
Maximum current	16.2 A
Nominal speed	3000 rpm



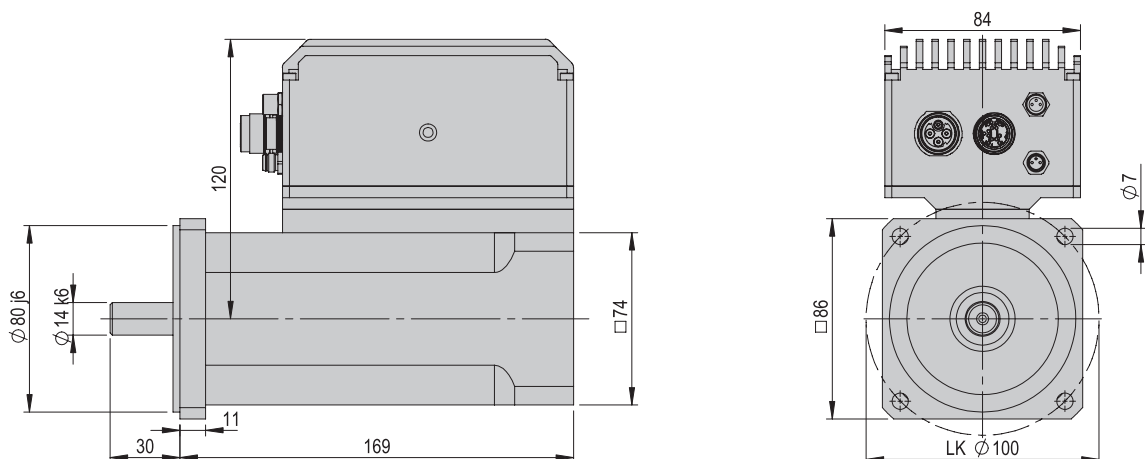
Servomotor-3-48VDC-700W-30-x-R-IO-01

without brake

Order number

50166928

Net weight	8.6 kg
Peak torque	10 Nm
Nominal torque	2.2 Nm
Standstill torque	2.5 Nm
Torque of inertia	1.4 kgcm ²
Nominal current	14.5 A
Maximum current	16.2 A
Nominal speed	3000 rpm

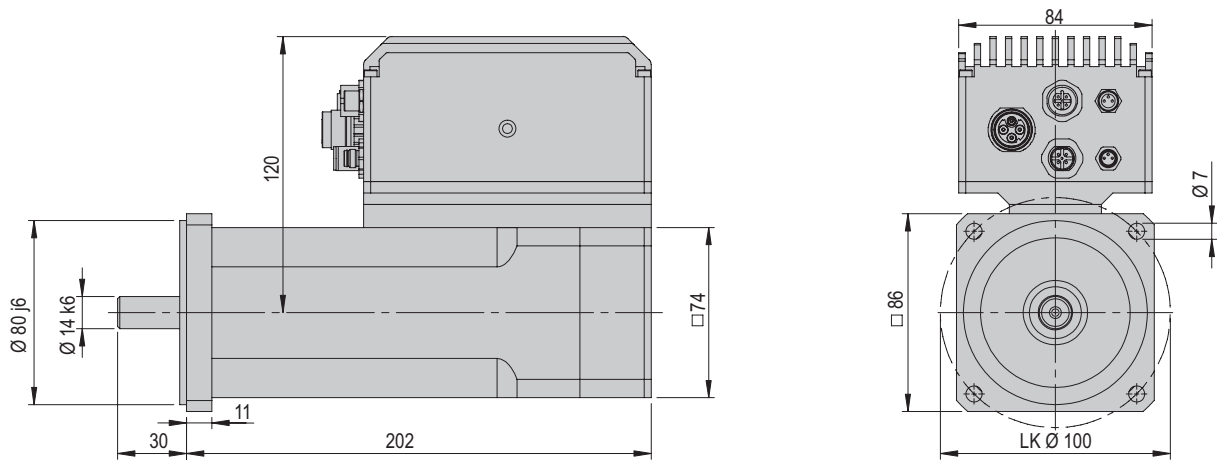


Servomotors 3

Servomotor-3-48VDC-700W-30-B-R-PB-01

with brake

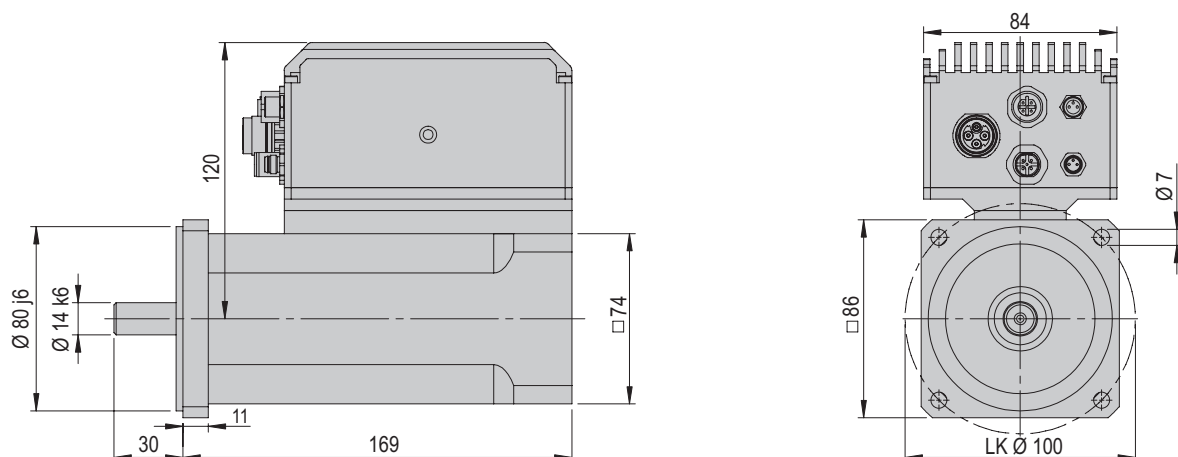
Order number	50217848
Net weight	8.6 kg
Peak torque	10 Nm
Nominal torque	2.2 Nm
Standstill torque	2.5 Nm
Torque of inertia	1.6 kgcm ²
Nominal current	14.5 A
Maximum current	16.2 A
Nominal speed	3000 rpm



Servomotor-3-48VDC-700W-30-x-R-PB-01

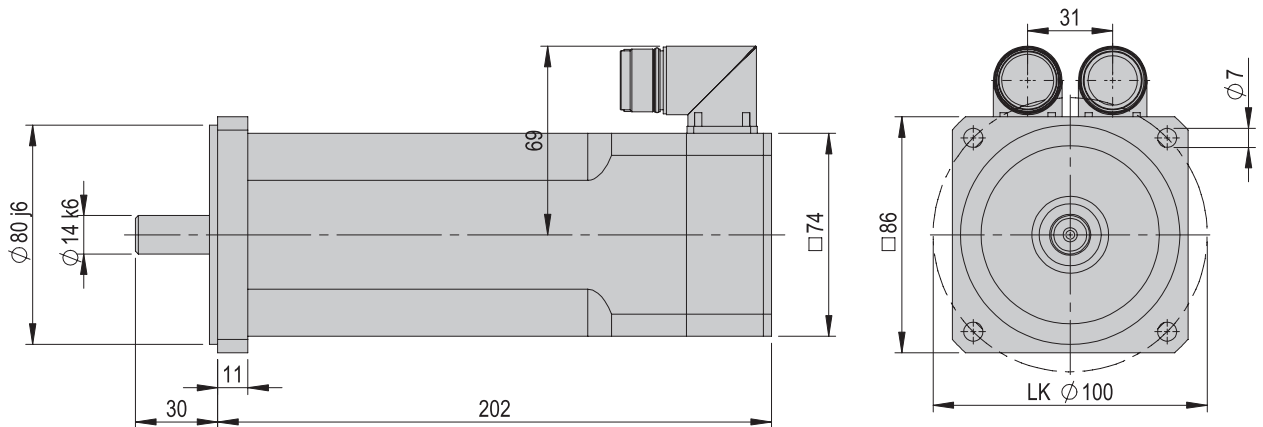
without brake

Order number	50166927
Net weight	8.6 kg
Peak torque	10 Nm
Nominal torque	2.2 Nm
Standstill torque	2.5 Nm
Torque of inertia	1.4 kgcm ²
Nominal current	14.5 A
Maximum current	16.2 A
Nominal speed	3000 rpm

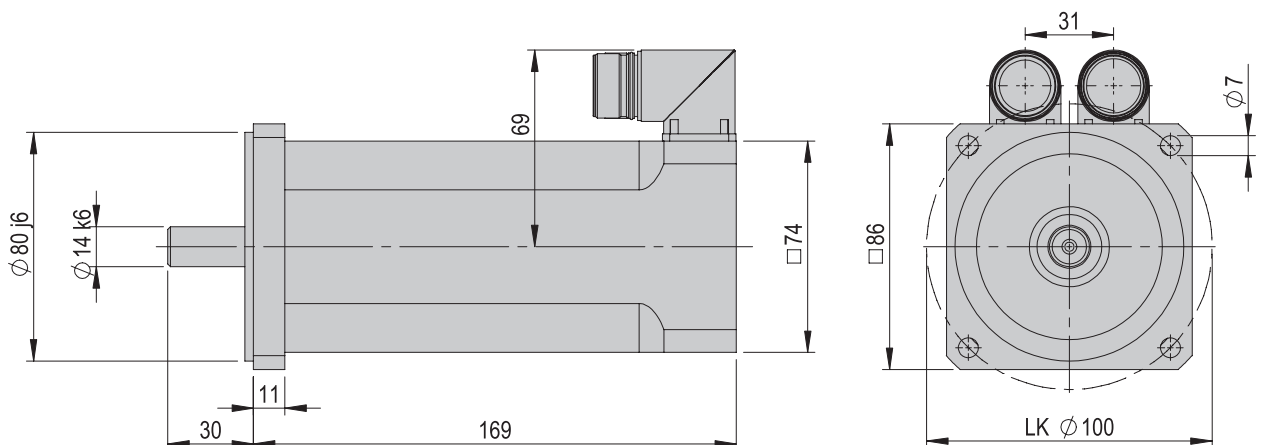


Servomotors 31

Servomotor-31-320VDC-950W-45-B-R-x-x		with brake
Order number		50503160
Net weight		3.5 kg
Peak torque		10.5 Nm
Nominal torque		2.8 Nm
Standstill torque		3.5 Nm
Torque of inertia		1.24 kgcm ²
Nominal current		6.1 A
Maximum current		28 A
Nominal speed		4500 rpm



Servomotor-31-320VDC-950W-45-x-R-x-x		without brake
Order number		50503156
Net weight		3 kg
Peak torque		10.5 Nm
Nominal torque		2.8 Nm
Standstill torque		3.5 Nm
Torque of inertia		1.04 kgcm ²
Nominal current		6.1 A
Maximum current		28 A
Nominal speed		4500 rpm

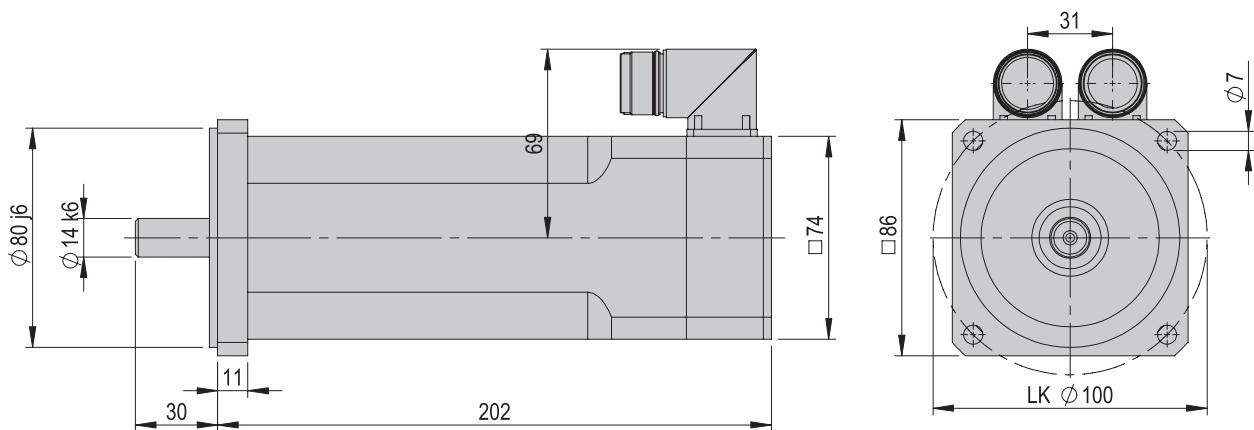


Servomotors 31

Servomotor-31-560VDC-950W-45-B-I-x-x

with brake

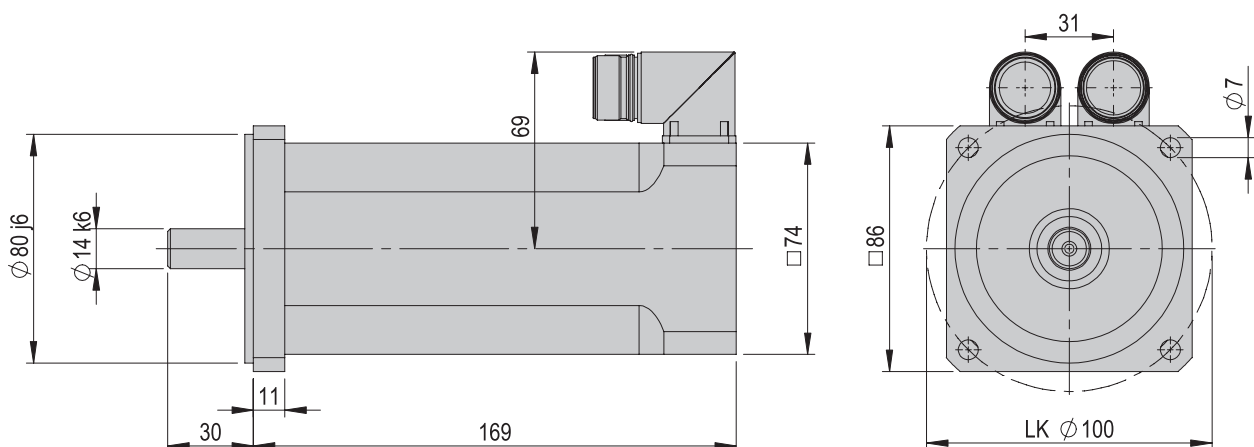
Order number	50485436
Net weight	3.5 kg
Peak torque	10.5 Nm
Nominal torque	2.8 Nm
Standstill torque	3.5 Nm
Torque of inertia	1.24 kgcm ²
Nominal current	3 A
Maximum current	10.9 A
Nominal speed	4500 rpm



Servomotor-31-560VDC-950W-45-x-I-x-x

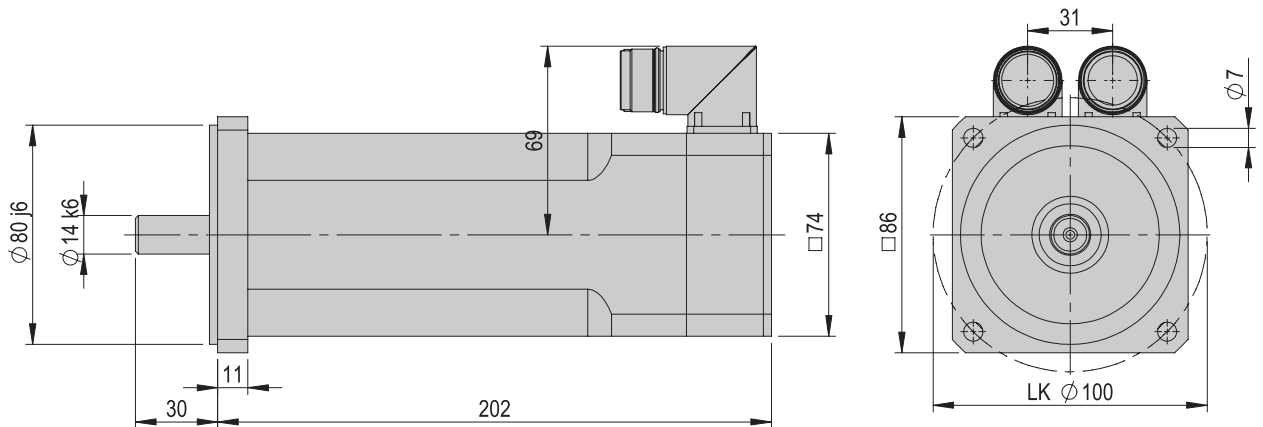
without brake

Order number	50495885
Net weight	3 kg
Peak torque	10.5 Nm
Nominal torque	2.8 Nm
Standstill torque	3.5 Nm
Torque of inertia	1.04 kgcm ²
Nominal current	3 A
Maximum current	10.9 A
Nominal speed	4500 rpm

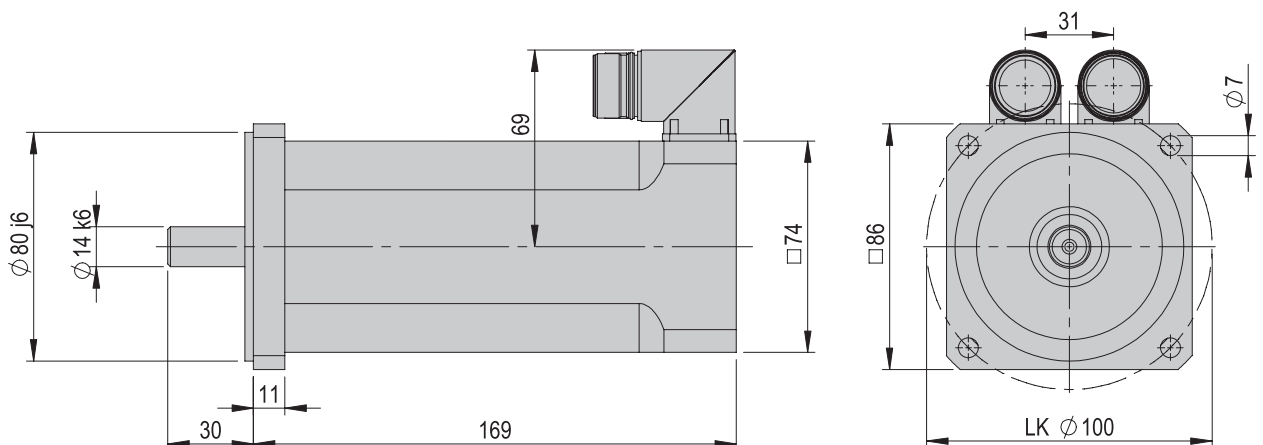


Servomotors 31

Servomotor-31-560VDC-950W-45-B-R-x-x		with brake
Order number		50495887
Net weight		3.5 kg
Peak torque		10.5 Nm
Nominal torque		2.8 Nm
Standstill torque		3.5 Nm
Torque of inertia		1.24 kgcm ²
Nominal current		3 A
Maximum current		10.9 A
Nominal speed		4500 rpm



Servomotor-31-560VDC-950W-45-x-R-x-x		without brake
Order number		50495886
Net weight		3 kg
Peak torque		10.5 Nm
Nominal torque		2.8 Nm
Standstill torque		3.5 Nm
Torque of inertia		1.04 kgcm ²
Nominal current		3 A
Maximum current		10.9 A
Nominal speed		4500 rpm



Servomotors 41

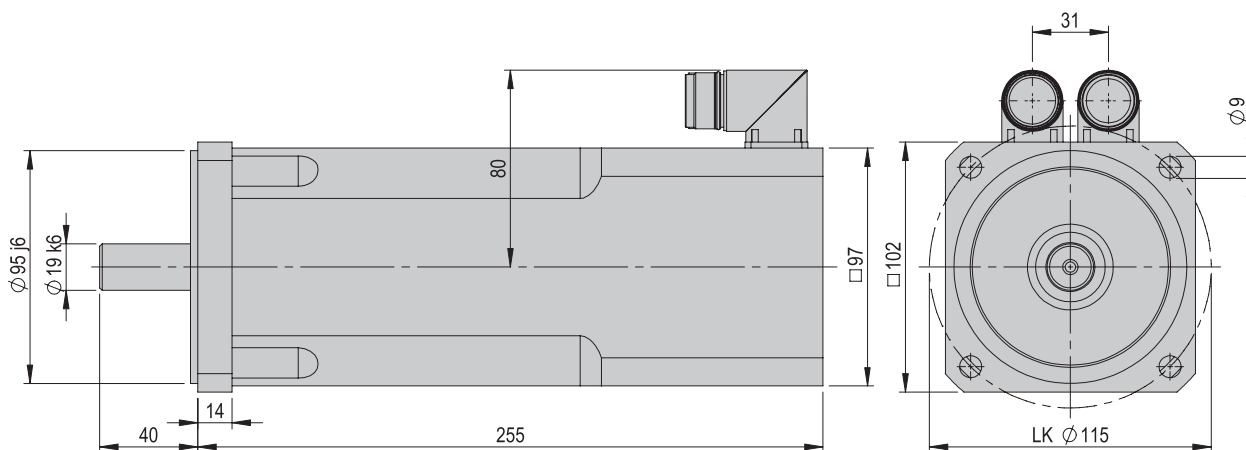
Servomotor-41-560VDC-2.8kW-45-B-I-x-x

with brake

Order number

50485437

Net weight	9 kg
Peak torque	34 Nm
Nominal torque	7.2 Nm
Standstill torque	11.3 Nm
Torque of inertia	6.3 kgcm ²
Nominal current	8.4 A
Maximum current	35 A
Nominal speed	4500 rpm



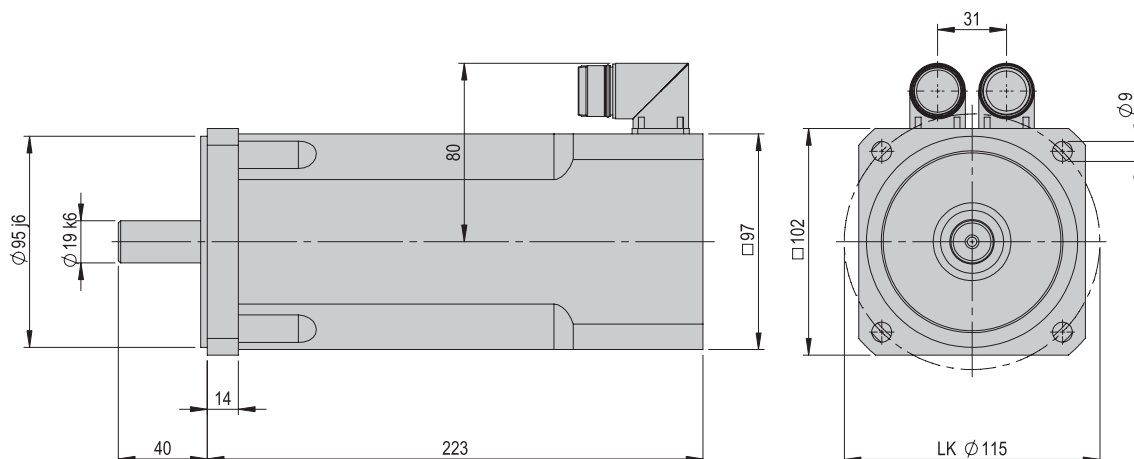
Servomotor-41-560VDC-2.8kW-45-x-I-x-x

without brake

Order number

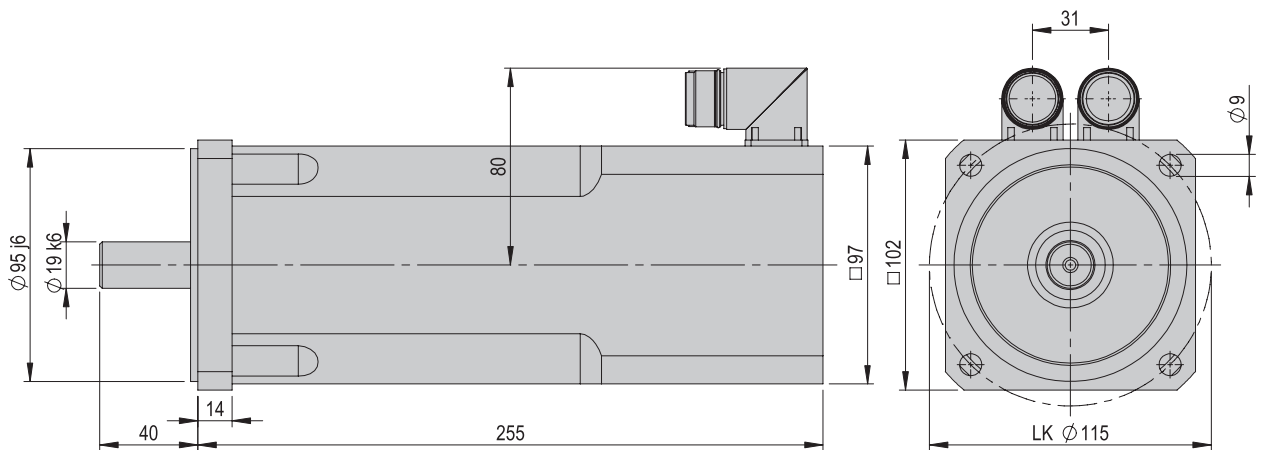
50495888

Net weight	7.2 kg
Peak torque	34 Nm
Nominal torque	7.2 Nm
Standstill torque	11.3 Nm
Torque of inertia	5.7 kgcm ²
Nominal current	8.4 A
Maximum current	35 A
Nominal speed	4500 rpm

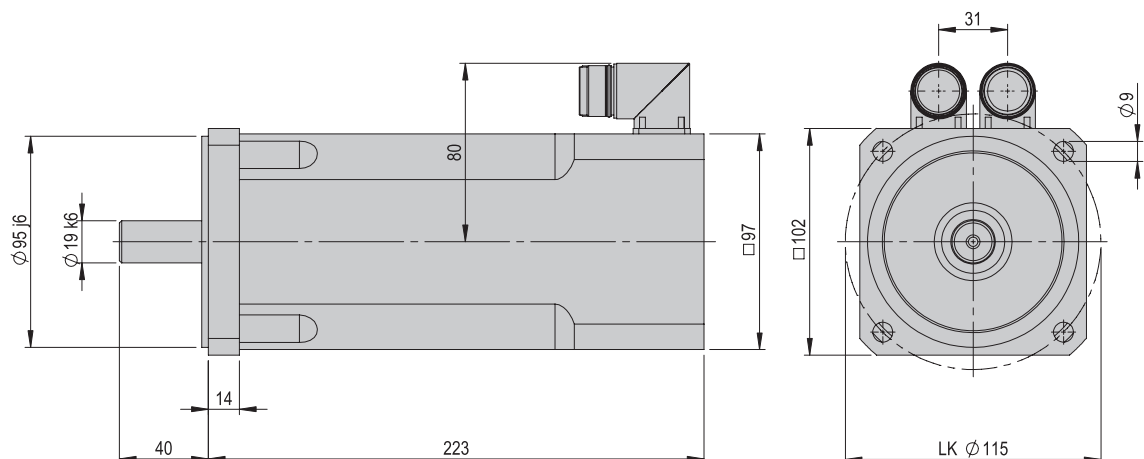


Servomotors 41

Servomotor-41-560VDC-2.8kW-45-B-R-x-x		with brake
Order number		50495890
Net weight		9 kg
Peak torque		34 Nm
Nominal torque		7.2 Nm
Standstill torque		11.3 Nm
Torque of inertia		6.3 kgcm ²
Nominal current		8.4 A
Maximum current		35 A
Nominal speed		4500 rpm

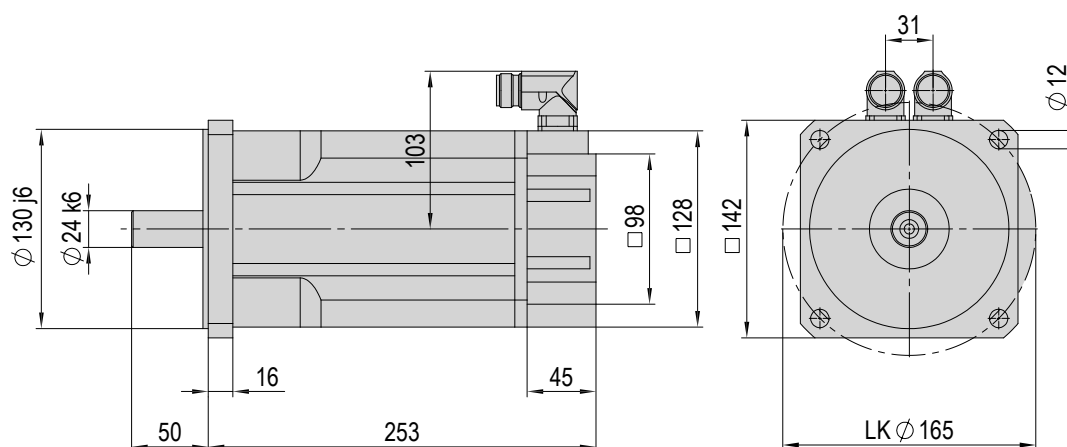


Servomotor-41-560VDC-2.8kW-45-x-R-x-x		without brake
Order number		50495889
Net weight		7.2 kg
Peak torque		34 Nm
Nominal torque		7.2 Nm
Standstill torque		11.3 Nm
Torque of inertia		5.7 kgcm ²
Nominal current		8.4 A
Maximum current		35 A
Nominal speed		4500 rpm

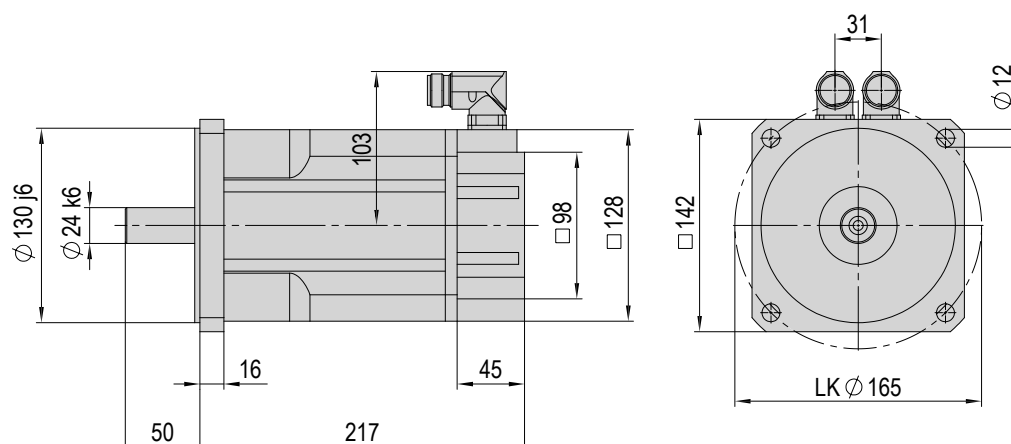


Servomotors 51

Servomotor-51-560VDC-5.0kW-45-B-I-x-x		with brake
Order number		50485438
Net weight		13.7 kg
Peak torque		60 Nm
Nominal torque		12.9 Nm
Standstill torque		20 Nm
Torque of inertia		17.1 kgcm ²
Nominal current		14.3 A
Maximum current		55 A
Nominal speed		4500 rpm

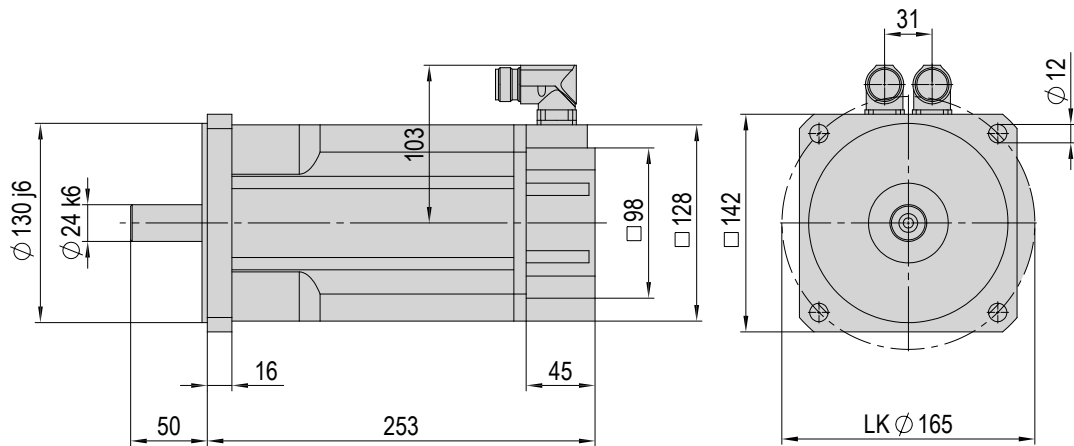


Servomotor-51-560VDC-5.0kW-45-x-I-x-x		without brake
Order number		50495891
Net weight		12.6 kg
Peak torque		60 Nm
Nominal torque		12.9 Nm
Standstill torque		20 Nm
Torque of inertia		15.1 kgcm ²
Nominal current		14.3 A
Maximum current		55 A
Nominal speed		4500 rpm

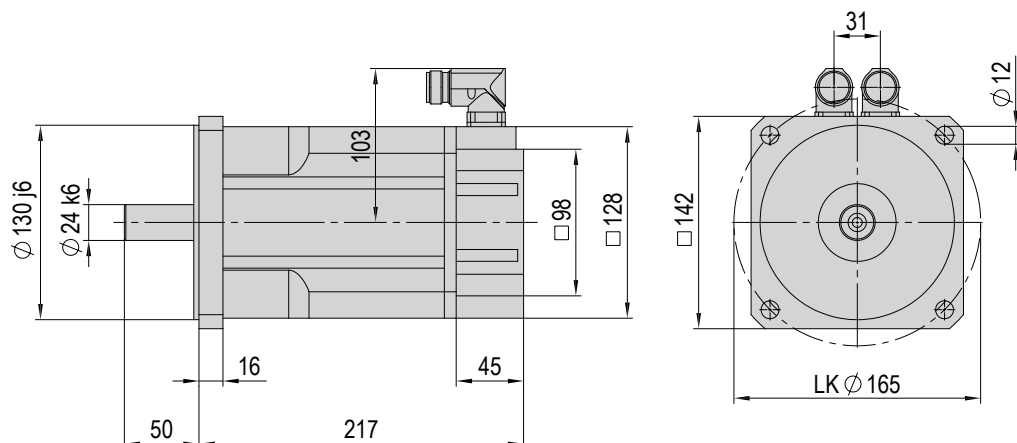


Servomotors 51

Servomotor-51-560VDC-5.0kW-45-B-R-x-x		with brake
Order number		50495893
Net weight		13.7 kg
Peak torque		60 Nm
Nominal torque		12.9 Nm
Standstill torque		20 Nm
Torque of inertia		17.1 kgcm ²
Nominal current		14.3 A
Maximum current		55 A
Nominal speed		4500 rpm



Servomotor-51-560VDC-5.0kW-45-x-R-x-x		without brake
Order number		50495892
Net weight		12.6 kg
Peak torque		60 Nm
Nominal torque		12.9 Nm
Standstill torque		20 Nm
Torque of inertia		15.1 kgcm ²
Nominal current		14.3 A
Maximum current		55 A
Nominal speed		4500 rpm



Servo controllers and accessories



Table of contents: Servo controllers

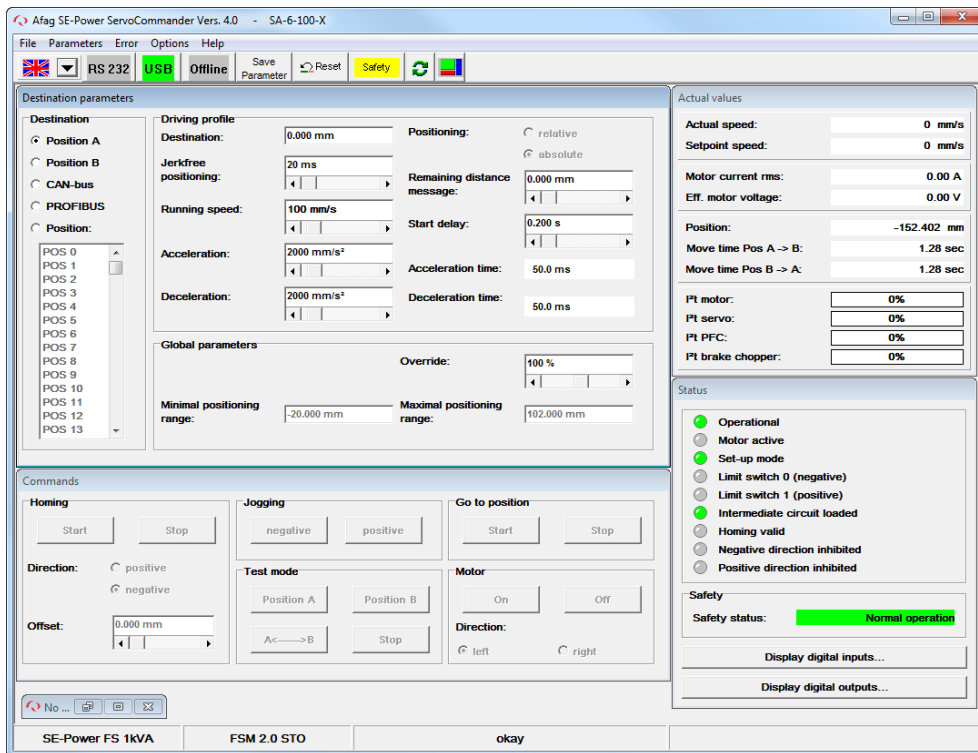
Servo controllers	Page
SE-24	133
SE-48	135
SE-Power	137
C11xx	139
C12xx	141
E12xx	143
E14xx	145
Accessories servo controllers	147
Power supply	149
Overview controlsystems	152

Modules	SE-24	SE-48	SE-Power 1kVA	SE-Power 3kVA	SE-Power 6kVA	C11xx	C12xx	E12xx	E14xx	Third party control- lers
Catalogue HT linear										
ES8						Standard	Alternative			
ES12						Standard	Alternative			
ES20						Standard	Alternative			
ES30						Standard	Alternative			
ES40/-HP						Standard	Alternative			
SA-1/-FL		Alternative	Standard			Alternative	Alternative			Alternative
SA-3/-FL		Alternative	Standard			Alternative	Alternative			Alternative
SA-6/-FL		Alternative	Standard			Alternative	Alternative		Alternative	Alternative
OZ-50			Standard	Alternative					Alternative	Alternative
OZ-60				Standard	Alternative					
PEZ-52		Alternative	Standard			Alternative	Alternative			Alternative
PEZ-65		Alternative	Standard			Alternative	Alternative			Alternative
PEZ-80			Alternative	Standard	Alternative					
PEZ-100				Standard	Alternative					
PDZ-128		Alternative	Standard			Alternative	Alternative			Alternative
PDZ-160			Alternative	Standard	Alternative					Alternative
PDZ-200				Alternative	Standard	Alternative				Alternative
PEL20/-SL						Standard	Alternative			
PDL30						Standard	Alternative			
PDL40/-HP						Standard	Alternative			
LE-50			Standard						Alternative	Alternative
LE-60			Alternative	Standard	Alternative					
LE-70				Alternative	Standard				Alternative	Alternative
Catalogue HT gripping & turning										
RE-50			Standard							
RE-50 18-100V	Alternative	Standard						Alternative		Alternative
RE-75			Standard							
RE-75 18-100V		Standard						Alternative		Alternative
SE20						Standard	Alternative			
SE30						Standard	Alternative			
RA-40						Standard	Alternative			
SG-50	Standard									Alternative
SG-50-ABq						Standard	Alternative	Alternative		

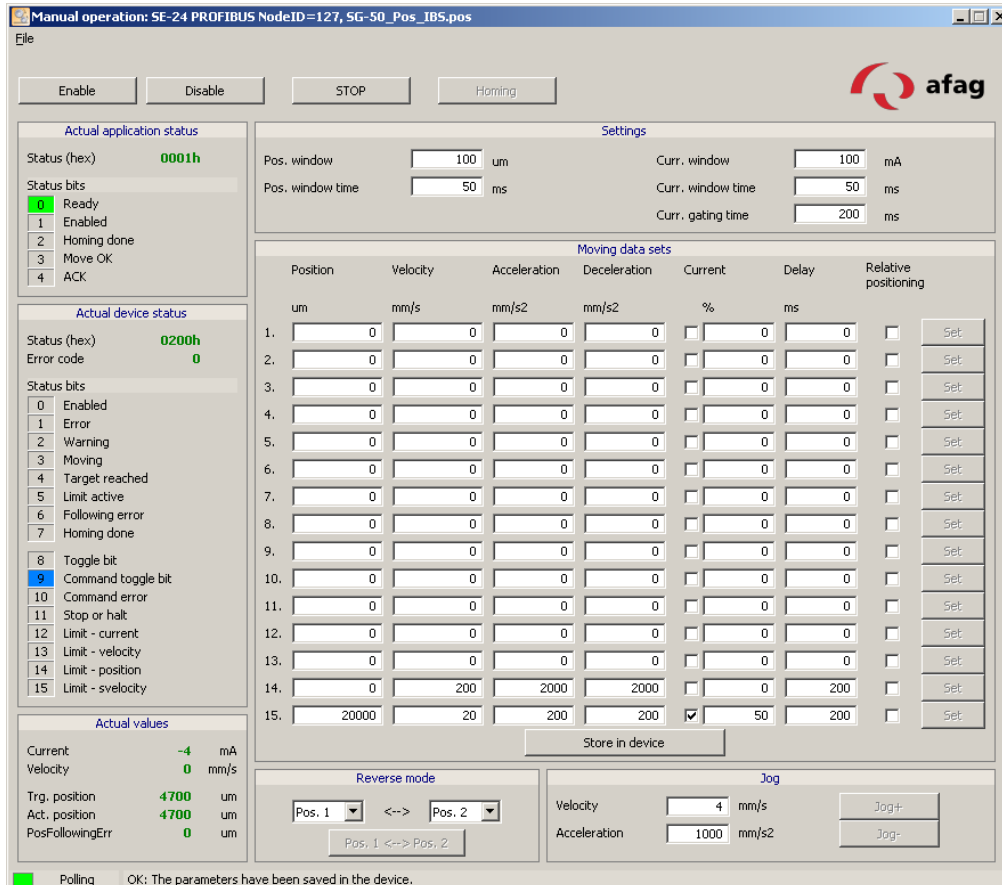
The servo controllers (except the third party controllers) are servo position controllers that are specifically tailored to all Afag modules and axes. They provide you, the user, with extremely short commissioning times and simple, practical handling. The effort required for system integration is reduced to a minimum because all modules and axes are parametrised ex works, and processed to ensure optimal operation.

Note: In order to be connected to third party controllers, all cables are also available with open ends. If you have any questions, please contact your sales partner.

 Standard
 Alternative

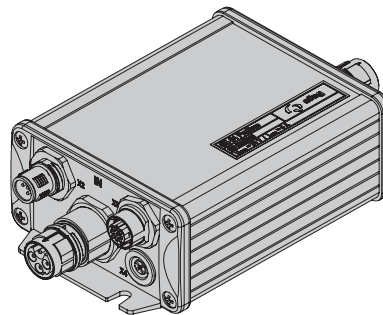
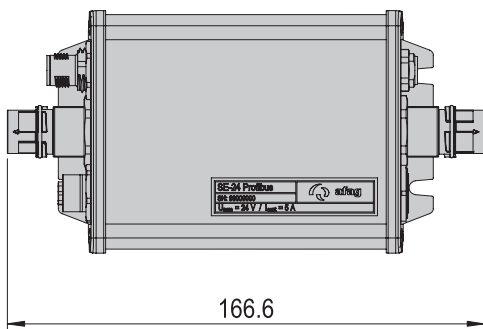
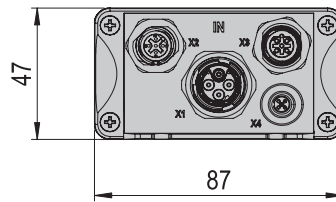
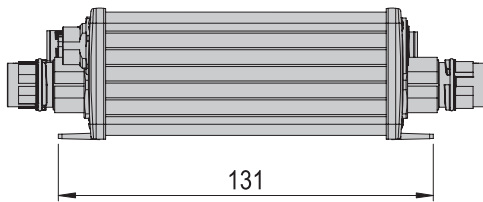
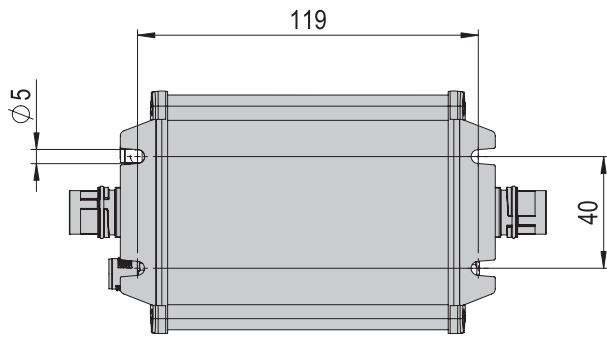


SE-COMMANDER
SE-Power / SE-48
operating interface



AFAG-TOOLS SE-24
operating interface

Detailed information on the operating software can be found in the handbooks of the corresponding controllers.





SE-24	
Operating temperature	0 - 40 °C
Bearing temperature	-25 - 70 °C
Humidity	< 90 %

Type	SE-24 I/O	SE-24 Profibus	SE-24 EtherCAT	SE-24 CANopen
Order number	50315434	50315435	50315436	50315437
Net weight	0.49 kg	0.58 kg	0.49 kg	0.56 kg
Dimensions W x H x D	87x47x165 mm	87x47x165 mm	87x47x165 mm	87x47x165 mm
Nominal current	5 A	5 A	5 A	5 A
Supply voltage	9-35 VDC	9-35 VDC	9-35 VDC	9-35 VDC
Control voltage	9-30 VDC	9-30 VDC	9-30 VDC	9-30 VDC
Protection type	IP 65	IP 65	IP 65	IP 65
Intermediate circuit voltage	24 VDC	24 VDC	24 VDC	24 VDC
Output power	120 VA	120 VA	120 VA	120 VA
Programming interface	USB	USB	USB	USB
Number of position data records	15	15	15	15

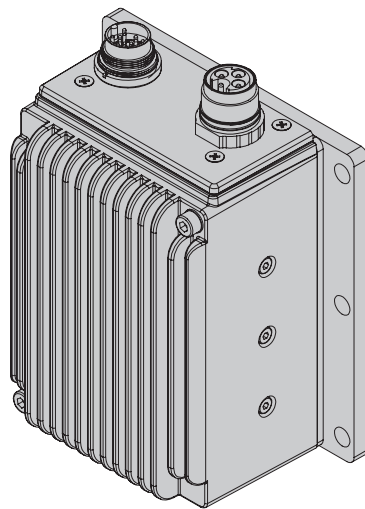
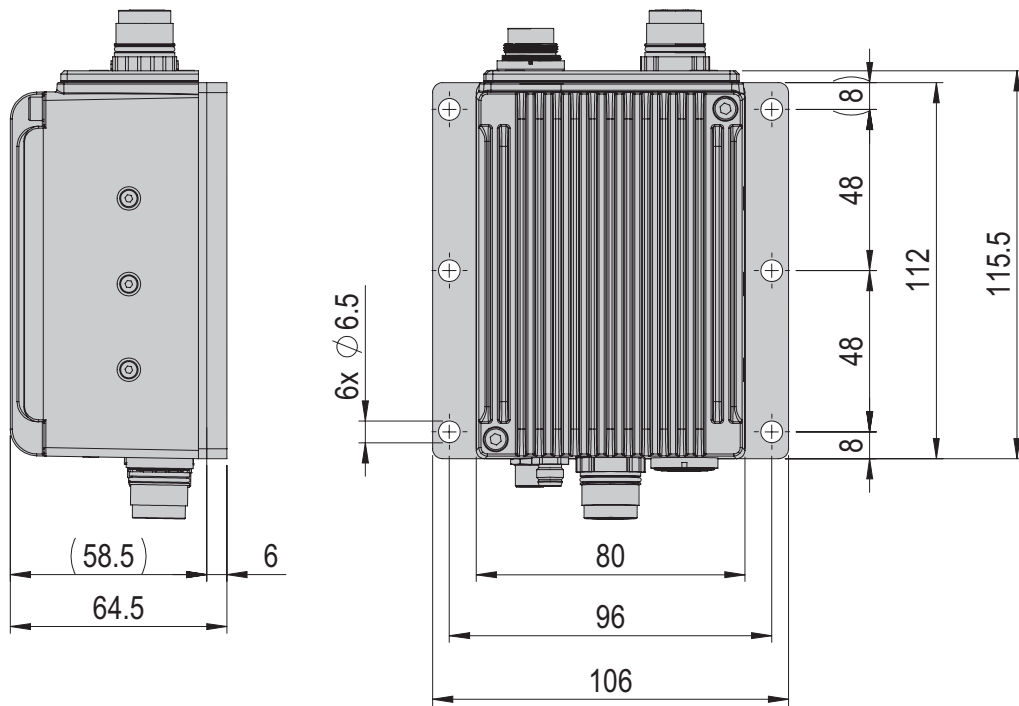
Accessories

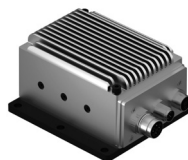
- Programming cable SE-24
- Power cable SE-24/SE-48
- I/O cable SE-24
- SE-24 Stick

Alternative Accessories

- Additional power and I/O cables

Warranty: 24 months following commissioning, but a maximum of 27 months following delivery





SE-48	
Operating temperature	0 - 40 °C
Bearing temperature	-25 - 70 °C
Humidity	< 90 %

Type	SE-48 I/O stand alone	SE-48 Profibus stand alone
Order number	50102766	50102767
Net weight	0.84 kg	0.84 kg
Dimensions W x H x D	84x68x125 mm	84x68x125 mm
Nominal output current	10 A	10 A
Supply voltage	48 VDC	48 VDC
Control voltage	24 VDC	24 VDC
Protection type	IP 65	IP 65
Intermediate circuit voltage	48 VDC	48 VDC
Output power	500 VA	500 VA
Programming interface	RS 232	RS 232
Number of position data records	16	16

Accessories

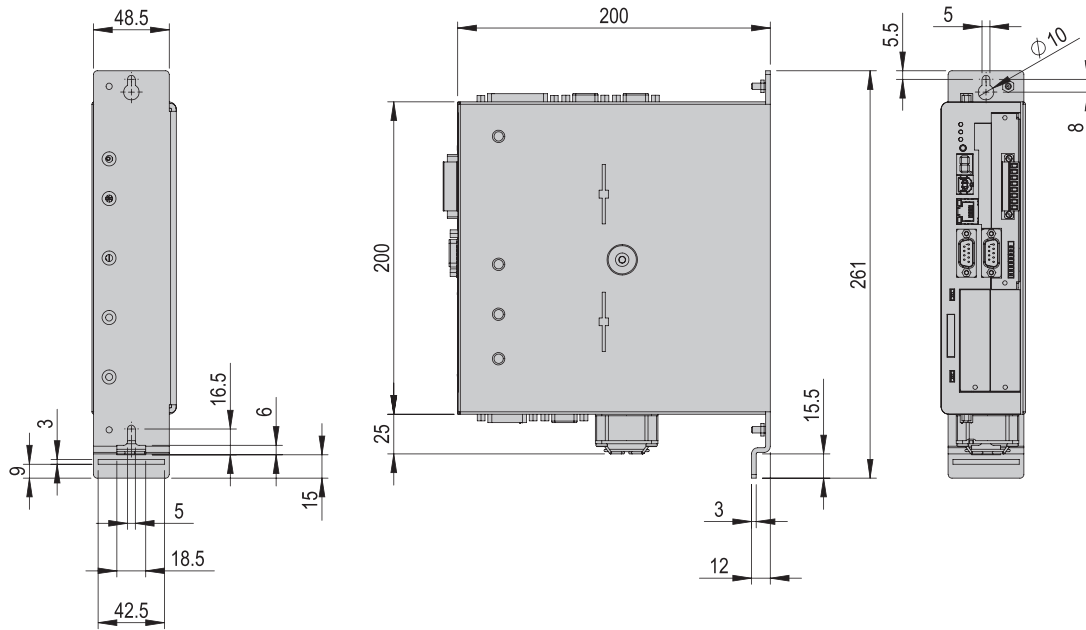
- Programming cable SE-48
- Power cable SE-24/SE-48
- I/O cable SE-48

Alternative Accessories

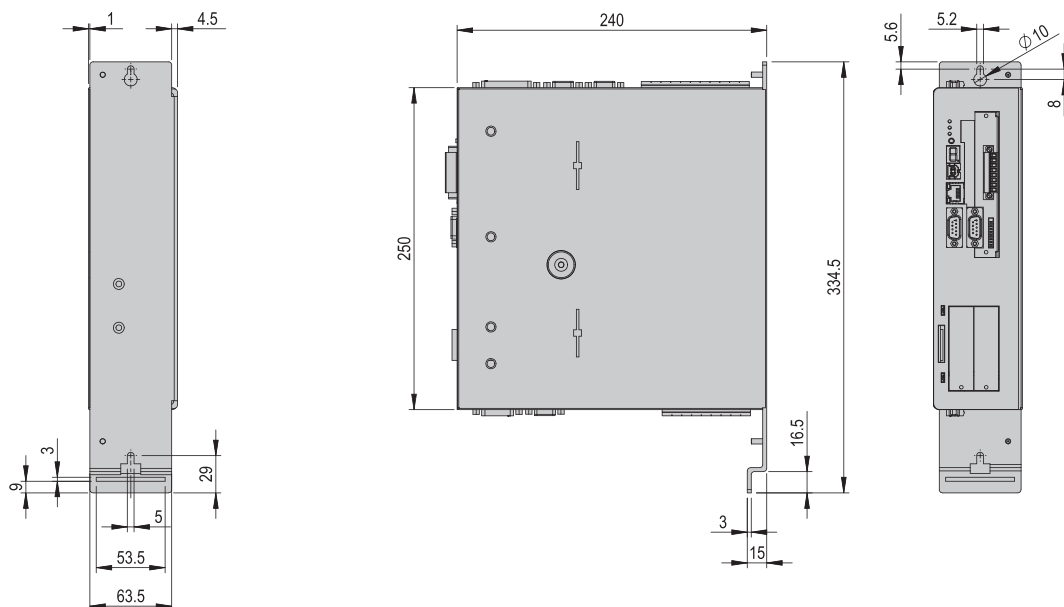
- Additional power and I/O cables

Warranty: 24 months following commissioning, but a maximum of 27 months following delivery

SE-Power 1kVA



SE-Power 3kVA / 6kVA





SE-Power	
Operating temperature	0 - 40 °C
Bearing temperature	-25 - 70 °C
Humidity	< 90 %
Encoder evaluation	Resolver, incr., SinCos, Hiperface, en Dat

Type	SE-Power 1kVA	SE-Power 3kVA	SE-Power 6kVA
Order number	50036337	50162993	50183996
Net weight	2.1 kg	3.7 kg	3.7 kg
Dimensions W x H x D	54x201x200 mm	69x250x240 mm	69x250x240 mm
Nominal output current	5 A	5 A	10 A
Supply voltage	48 - 230 VAC	3 x 400 VAC	3 x 400 VAC
Voltage supply, alternative	60 - 380 VDC		
Control voltage	24 VDC	24 VDC	24 VDC
Protection type	IP 20	IP 20	IP 20
Intermediate circuit voltage	320 VDC	560 VDC	560 VDC
Output power	1 kVA	3 kVA	6 kVA
Programming interface	USB/RS 232	USB/RS 232	USB/RS 232
Standard interfaces for higher-level control	CANopen DSP 402	CANopen DSP 402	CANopen DSP 402
Number of position data records via Onboard I/Os	16	16	16
Number of position data records with option I/O interface	250	250	250
Analog	+/- 10 V	+/- 10 V	+/- 10 V

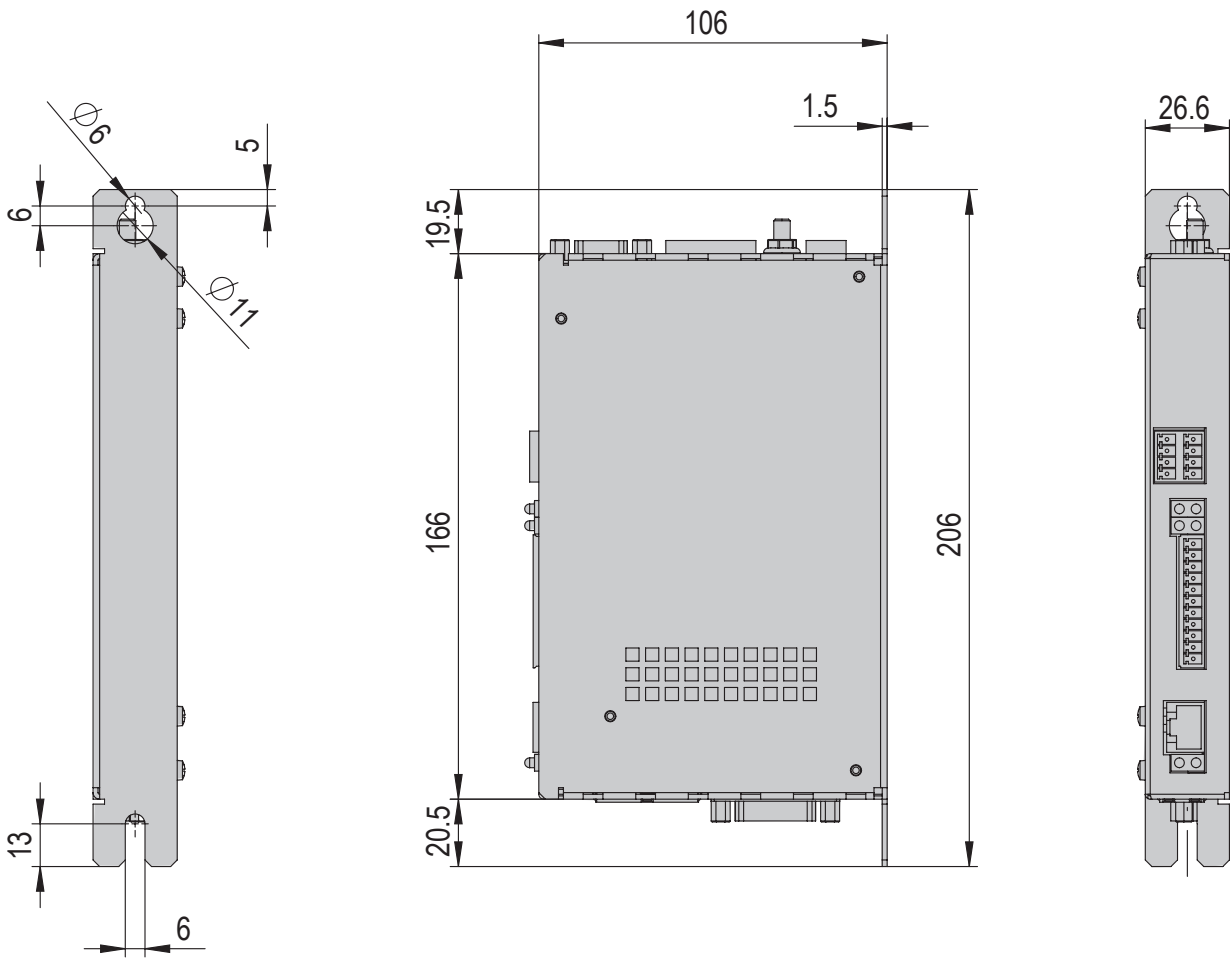
Accessories

- Programming cable USB SE power FS
- Programming cable RS232 SE power
- I/O Interface
- Profibus Interface
- EtherCAT Interface
- FS Safety Module FSM 2.0

Warranty: 24 months following commissioning, but a maximum of 27 months following delivery

Dimensions and dimension drawings

C11xx





C11xx	
Operating temperature	0 - 40 °C
Bearing temperature	-25 - 70 °C
Humidity	< 90 %

Type	C1100 CanOpen STO	C1150 EtherCat STO	C1150 Profinet PN STO
Order number	50419402	50419403	50419404
Net weight	0.7 kg	0.7 kg	0.7 kg
Dimensions W x H x D	26.6x206x106 mm	26.6x206x106 mm	26.6x206x106 mm
Nominal output current	25 A	25 A	25 A
Supply voltage	24 - 72 VDC	24 - 72 VDC	24 - 72VDC
Control voltage	24 VDC	24 VDC	24 VDC
Protection type	IP 20	IP 20	IP 20
Intermediate circuit voltage	24 - 80 VDC	24 - 80 VDC	24 - 80 VDC
Programming interface	RS 232	RS 232	RS 232

Included in the delivery

- 1x Plug kit for C1xxx-1S

Accessories

- Power supply S01-72/500, 1-phase
- Motor plug for controller C1x00
- USB-RS232 Converter for controllers

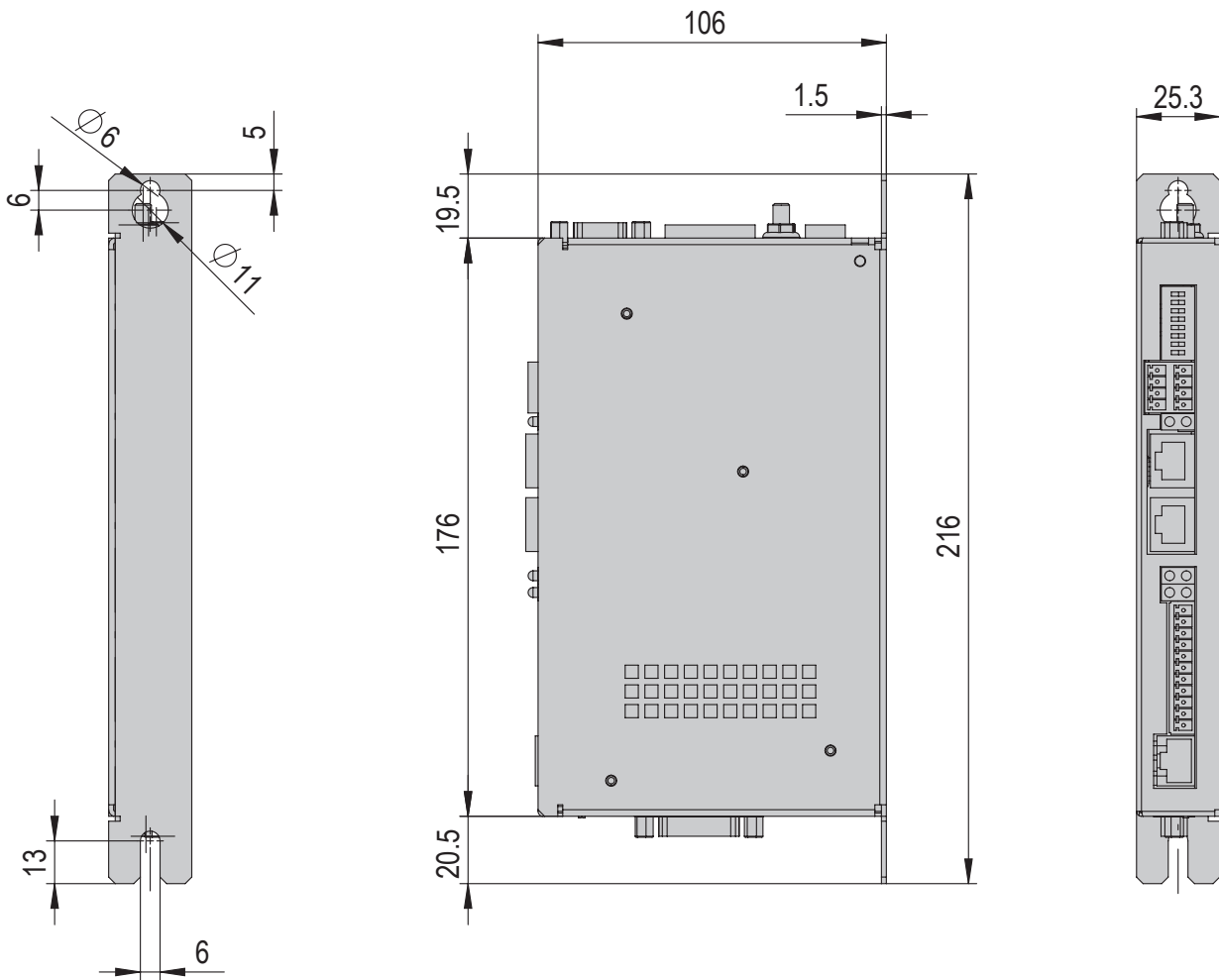
Alternative Accessories

- Additional power supplies

Warranty: 24 months following commissioning, but a maximum of 27 months following delivery

Dimensions and dimension drawings

C12xx





C12xx	
Operating temperature	0 - 40 °C
Bearing temperature	-25 - 70 °C
Humidity	< 90 %

Type	C1250 EtherCat STO	C1250 Profinet PN STO
Order number	50419400	50419401
Net weight	0.7 kg	0.7 kg
Dimensions W x H x D	25.3x216x106 mm	25.3x216x106 mm
Nominal output current	25 A	25 A
Supply voltage	24 - 72 VDC	24 - 72 VDC
Control voltage	24 VDC	24 VDC
Protection type	IP 20	IP 20
Intermediate circuit voltage	24 - 80 VDC	24 - 80 VDC
Programming interface	RS 232	RS 232

Included in the delivery

- 1x Plug kit for C1xxx-1S

Accessories

- Power supply S01-72/500, 1-phase
- Motor plug for controller C1x00
- USB-RS232 Converter for controllers

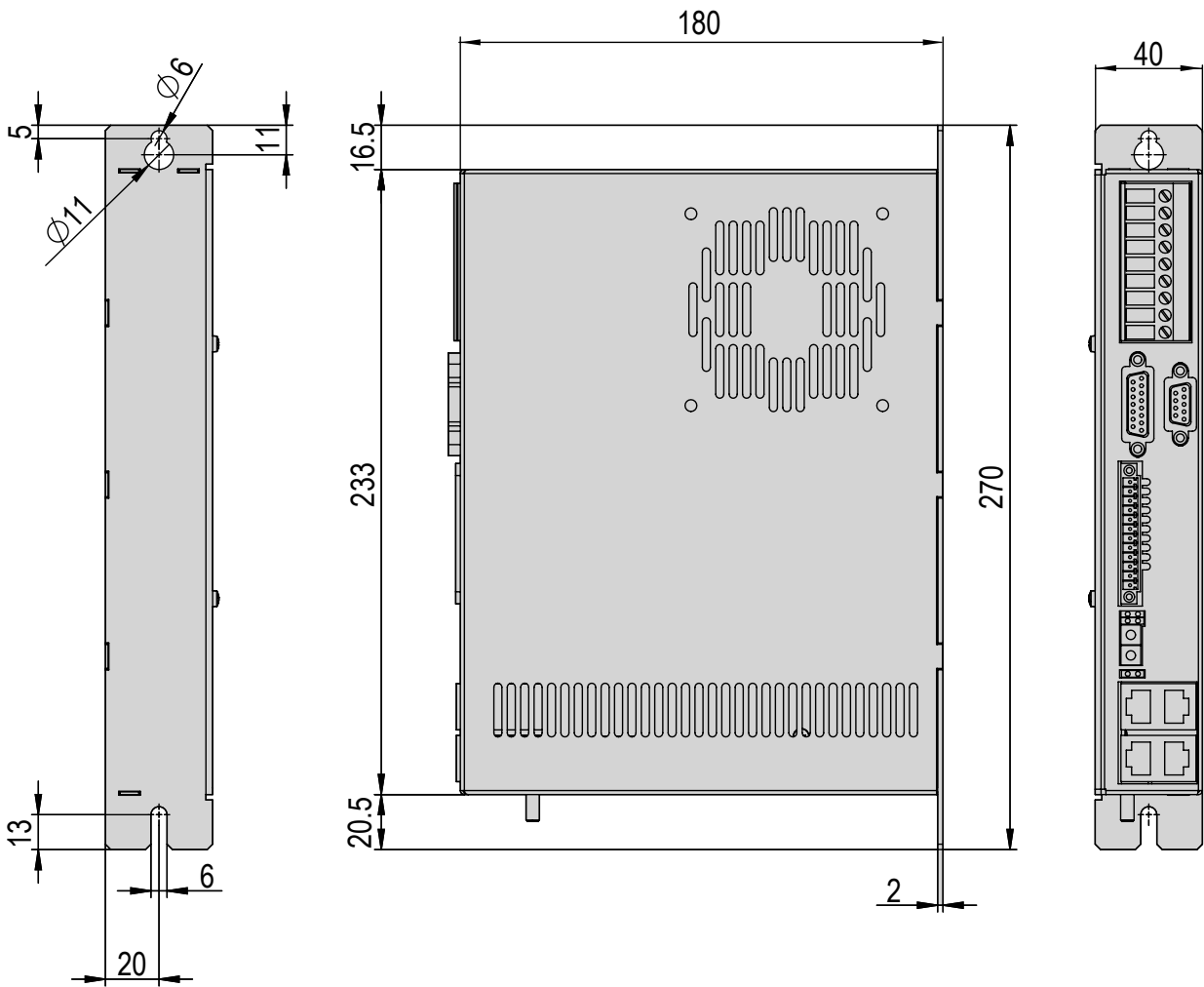
Alternative Accessories

- Additional power supplies

Warranty: 24 months following commissioning, but a maximum of 27 months following delivery

Dimensions and dimension drawings

E12xx





E12xx	
Operating temperature	0 - 40 °C
Bearing temperature	-25 - 40 °C
Humidity	< 90 %

Type	E1250 Powerlink PL-UC	E1250 Ethernet IP-UC	E1250 Ethercat SoE SE-UC	E1250 Sercos III SC-UC
Order number	50465787	50465792	50465793	50465794
Net weight	1 kg	1 kg	1 kg	1 kg
Dimensions W x H x D	40x270x180 mm	40x270x180 mm	40x270x180 mm	40x270x180 mm
Nominal output current	32 A	32 A	32 A	32 A
Supply voltage	24 - 72 VDC	24 - 72 VDC	24 - 72 VDC	24 - 72 VDC
Control voltage	24 VDC	24 VDC	24 VDC	24 VDC
Protection type	IP 20	IP 20	IP 20	IP 20
Intermediate circuit voltage	max. 91 VDC	max. 91 VDC	max. 91 VDC	max. 91 VDC
Programming interface	RS 232 + Ethernet	RS 232 + Ethernet	RS 232 + Ethernet	RS 232 + Ethernet

Accessories

- Power supply S01-72/500, 1-phase
- USB-RS232 Converter for controllers

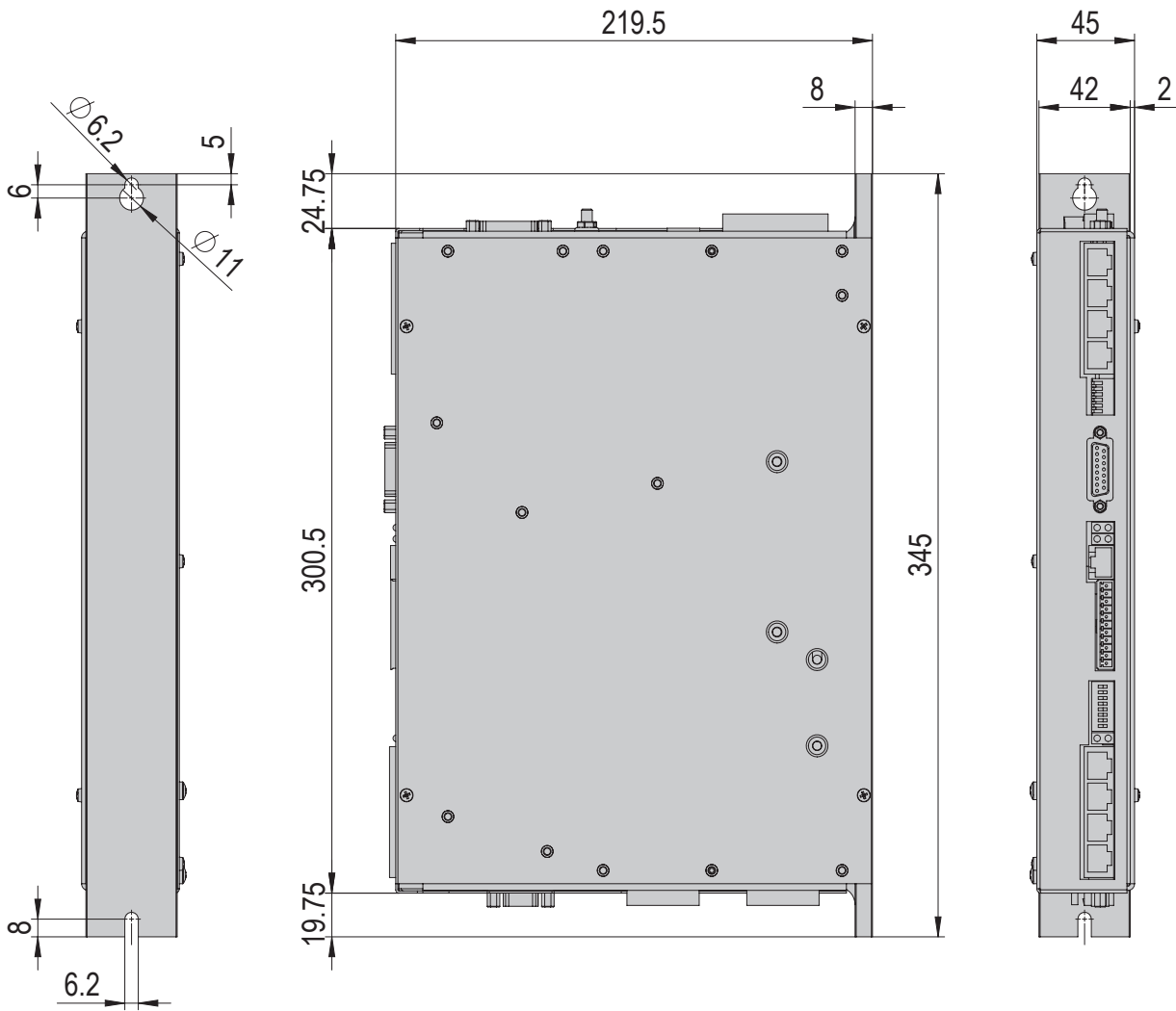
Alternative Accessories

- Additional power supplies

Warranty: 24 months following commissioning, but a maximum of 27 months following delivery

Dimensions and dimension drawings

E14xx





E14xx	
Operating temperature	0 - 40 °C
Bearing temperature	-25 - 70 °C
Humidity	< 90 %

Type	E1450 Ethercat EC STO	E1450 Profinet PN STO
Order number	50436475	50421487
Net weight	1.5 kg	1.5 kg
Dimensions W x H x D	45x345x219,5 mm	45x345x219,5 mm
Nominal output current	28 A	28 A
Supply voltage	400 VAC	400 VAC
Control voltage	24 VDC VDC	24 VDC VDC
Protection type	IP 20	IP 20
Intermediate circuit voltage	400 VAC	400 VAC
Programming interface	RS 232	RS 232

Accessories

- Motor plug for controller E1400
- Plug kit for controller E1400-1S
- USB-RS232 Converter for controllers

Warranty: 24 months following commissioning, but a maximum of 27 months following delivery

Accessories Servo controllers

Accessories SE-24

SE-24 Stick	
Order number	50315432
Net weight	0.008 kg

Programming cables

Programming cable SE-24	
Order number	50315431
Net weight	0.06 kg
Cable Ø	4 mm
Material	PVC
Length	3 m

Programming cable SE-48	
Order number	50103890
Net weight	0.2 kg
Cable Ø	4.5 mm
Material	PUR
Length	5 m

Programming cable RS232 SE-Power	
Order number	50038526
Net weight	0.2 kg
Cable Ø	4.8 mm
Material	PVC
Length	3 m

Programming cable USB SE-Power FS	
Order number	50395197
Net weight	0.1 kg
Length	3 m

Transformers

Accessories SE-Power

SE-Power I/O Interface	
Order number	50112458
Net weight	0.15 kg

SE-Power EtherCAT Interface	
Order number	50038777
Net weight	0.15 kg

SE-Power FS Safety Module FSM 2.0 STO	
Order number	50393463
Net weight	0.075 kg

SE-Power Profibus Interface	
Order number	50036340
Net weight	0.1 kg

SE-Power Profinet Interface	
Order number	50445640
Net weight	0.15 kg

SE-Power FS Safety Module MOV	
Order number	50418506
Net weight	0.12 kg

9

Accessories C1xxx

Motor plug for controller C1xxx	
Order number	50426481
Net weight	0.01 kg

Plug kit for controller C1xxx-1S	
Order number	50426471
Net weight	0.02 kg

USB-RS232 Converter for controllers	
Order number	50426494
Net weight	0.07 kg

Plug X3 for controller C1xxx	
Order number	50530603
Net weight	0.02 kg

Accessories E14xx

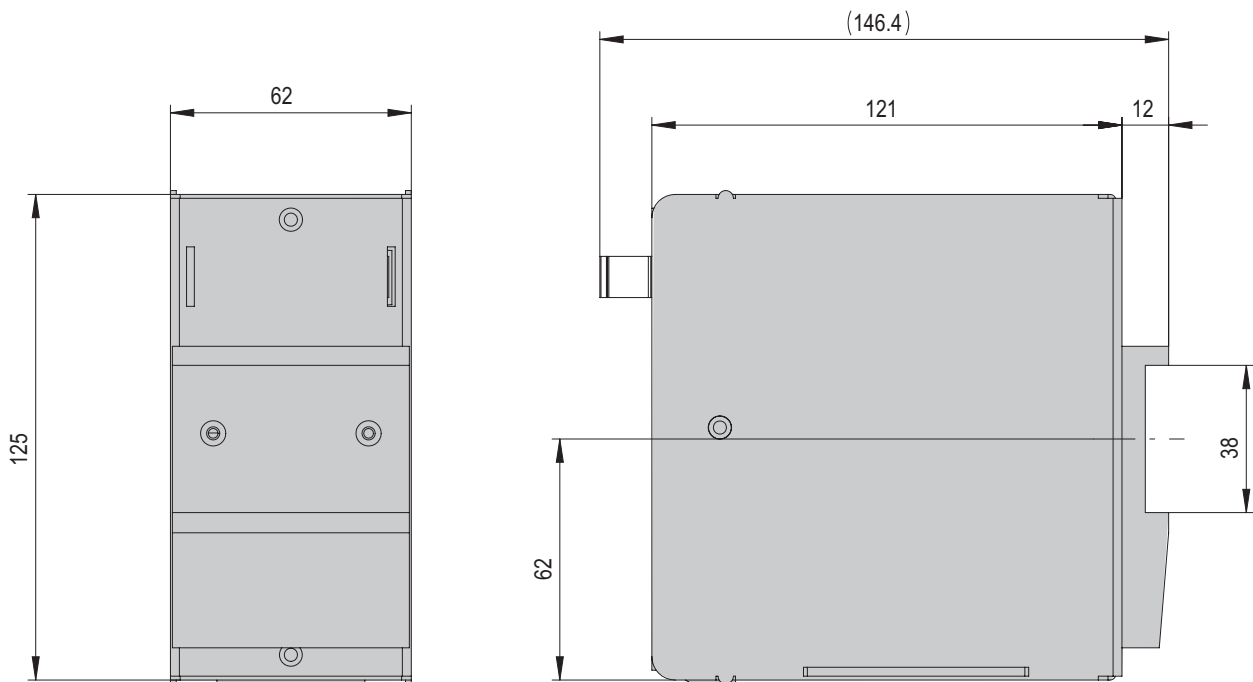
Motor plug for controller E1400	
Order number	50426480
Net weight	0.03 kg

Plug kit for controller E1400-1S	
Order number	50426476
Net weight	0.05 kg

Transformers

Power supply S01-72/500, 1 phase	
Operating temperature	-25 - 70 °C

Type	Power supply S01-72/500, 1-phase
Order number	50439465
Net weight	1 kg
Protection rating	IP 20
Output power	480 W
Primar voltage	90 - 132 VAC, 50/60 Hz oder 180 - 264 VAC, 50/60 Hz
Secondary voltage	54 - 80 VDC adjustable
Nominal output current	10 A
External fuse	6 A (C, D, K Typ)

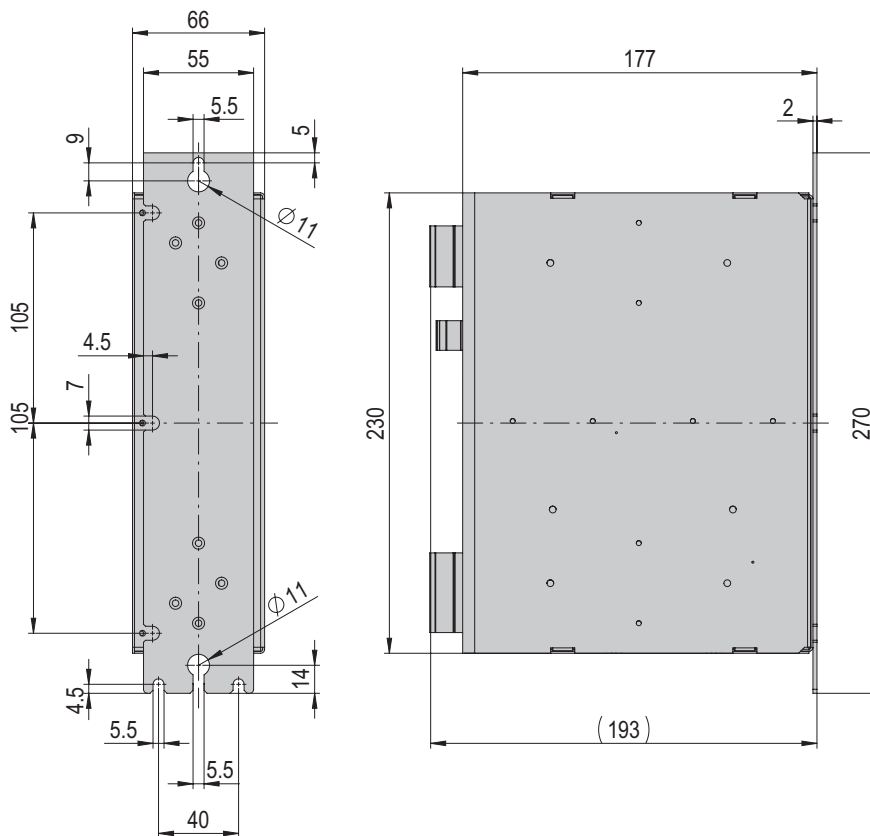


Transformers

Power supply S01-72/1000, 3 phase	
Operating temperature	-25 - 70 °C

Type	Power supply S01-72/1000, 3-phase
Order number	50439466
Net weight	2 kg
Protection rating	IP 20
Output power	960 W
Primar voltage	3x 340 - 550 VAC, 50/60 Hz
Secondary voltage	54 - 80 VDC adjustable
Nominal output current	27 A
External fuse	16-32 A (C, D, K Typ)

9



Transformers

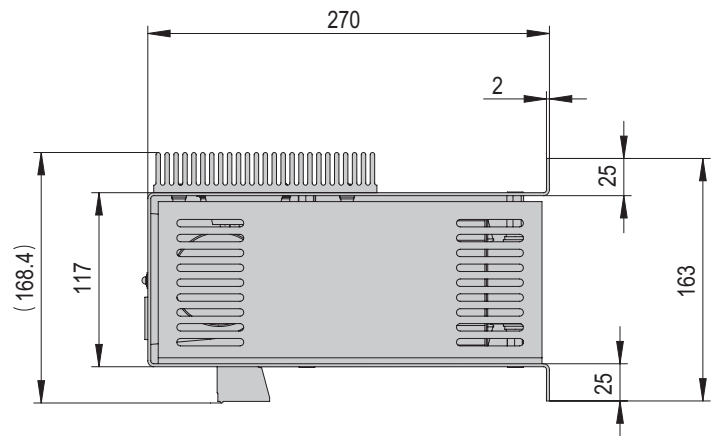
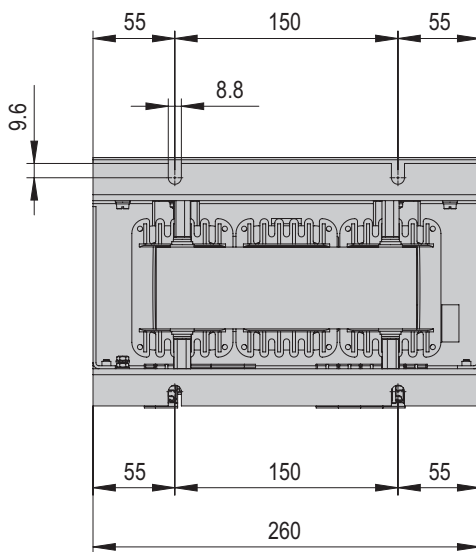
Power supply T01-72/1500 multi, 3-phases

Operating temperature 0 - 40 °C

Type Power supply T01-72/1500 Multi, 3-phase

Order number 50438369

Net weight	17 kg
Output power	IP 20
Protection rating	1500 W
Primar voltage	3x 230/400/480 VAC, 50/60 Hz
Secondary voltage	72 VDC
Nominal output current	50 A
External fuse	8 A (C, D, K Typ)





Power cable SE-24/SE-48, 5 m
Power cable SE-24/SE-48, 10 m
I/O-cable SE-24, 5 m
I/O-cable SE-24, 10 m
Programming cable SE-24, 3 m
SE-24 Stick



	M	G	R
RE-50 18-100V	M15	G12	R2
SG-50	M14		

SE-24



Power cable SE-24/SE-48, 5 m
Power cable SE-24/SE-48, 10 m
I/O-cable SE-48, 5 m
I/O-cable SE-48, 10 m
Programming cable SE-48, 5 m



	M	G	R
SA-1	M11	G8	R9
SA-3	M11	G8	R2
SA-6	M9	G9	R2
			auf Motor
RE-50 18-100V	M15	G12	R2
RE-75 18-100V	M15	G12	R2
PEZ-65	M9	G9	R2
			auf Motor

SE-48



Programming cable SE-Power, 3 m




	M	G	R
SA-1	M10	G6	R8
SA-3	M10	G6	R1
SA-6	M5	G5	R1
OZ-50/60	M5	G5	R1
LE-50/60/70	M13	G11	
RE-50/RE-75	M12	G10	R1
PEZ/PDZ	M5	G5	R1

SE-Power

←

→

USB-RS232
converter
for Linmot
controller



C11xx & C12xx

	M			G	R	Motor connector	Plug X3	Adapter
	...-X	...-1	...-2	...-1	...-1			
ES8	M16	M16	M16					50455642
ES12	M16	M16	M16					50455642
ES20	M16	M16	M16					
ES30	M23	M17						
ES40	M23	M17						
SA-1		M10		G14	R8	50426481	50530603	
SA-3		M10		G14	R1	50426481	50530603	
SA-6		M18		G16	R1	50426481	50530603	
PEZ-52		M18		G16	R1	50426481	50530603	
PEL20	M16	M16	M16					
PDL30	M23	M17						
PDL40	M23	M17						
RE-50 18-100V		M12		G14	R1	50426481	R1	
RE-75 18-100V		M12		G14	R1	50426481	R1	
RA-40	M16	M16	M16					
SE20	M16	M16	M16					
SE30	M23	M17						
SG-50-Abq		M19				50426481		



USB-RS232
converter for
Linmot controller



E12xx

	M			G	R	Motor- connector	Adapter
	...-X	...-1	...-2	...-1	...-1		
ES8	M20	M20					50455642
ES12	M20	M20					50455642
ES20	M20	M20					
ES30	M24	M22	M22				
ES40	M24	M22	M22				
SA-1		M10		G14	R8	50426481	
SA-3		M10		G14	R1	50426481	
SA-6		M18		G16	R1	50426481	
PEZ-52		M18		G16	R1	50426481	
PEL20	M20	M20					
PDL30	M24	M22	M22				
PDL40	M24	M22	M22				
RE-50 18- 100V		M12		G14	R1	50426481	
RE-75 18- 100V		M12		G14	R1	50426481	
RA-40	M20	M20					
SE20	M20	M20					
SE30	M24	M22	M22				
SG-50 Abq		M19				50426481	



USB-RS232 converter
for Linmot controller



E14xx

	M			G	R	Motor connector
	...-X	...-1	...-2	...-1	...-1	
SA-6		M18		G16	R1	50426480
OZ-50/60		M18		G16	R1	50426480
LE-50/60/70		M13		G17		50426480
PEZ/PDZ		M18		G16	R1	50426480

Cables



Table of contents: Cables

Cables	Page
Motor cables	159
Encoder cables	167
Proximity switch cables	173
Power cables	177
Sensor-actuator cables	178

Motor cables	2 m	3 m	4 m	5 m	6 m	8 m	10 m
M5- -0-open-1				50075693			50224179
M9- -0-0-1		50341506		50341507			
M10- -0-open-1				50219768			50249065
M11- -0-0-1		50338982		50338983			
M12- -0-open-1				50290459			50310506
M12- -90-open-1				50290460			50310507
M13- -0-open-1				50311326			50311327
M14- -0-0-1		50311491		50341510			
M15- -0-0-1		50332418		50338977			
M15- -90-0-1		50332420		50338978			
M16- -0-1-X			50463073		50463076	50463078	
M16- -0-1-1			50437168		50437167	50427023	
Extension M16- -0-0-1	50450944		50427026		50463082		
Extension M16- -0-0-2	50463081						
M17- -0-1-1			50437170		50437169	50427021	
Extension M17- -0-0-1	50463084		50427024		50463087		
Extension M17- -0-0-2	50463085		50463086				
M18- -0-open				50450380			50446251
M19- -0-0-1		50459733		50459734			
M20- -0-2-X			50463088		50463090	50463092	
M20- -0-2-1			50463089		50463091	50463093	
M22- -0-2-1			50463100		50463101	50463103	
M23- -0-1-X			50463104		50463105	50463106	
M24- -0-2-X			50463107		50463108	50463109	

Encoder cables	2 m	3 m	4 m	5 m	6 m	8 m	10 m
G5- -0-0-1				50075695			50224183
G6- -0-0-1				50100693			50224185
G8- -0-0-1		50341479		50341480			
G9- -0-0-1		50341491		50341493			
G10- -0-0-1				50297199			50310508
G10- -90-0-1				50297200			50310509
G11- -0-0-1				50311323			50311325
G12- -0-0-1		50332416		50338975			
G12- -90-0-1		50332417		50338976			
G14- -0-0-1		50443145		50439300			50450518
G14- -90-0-1		50450519		50450520			50450521
G16- -0-0-1				50450376			50446252
G17- -0-0-1				50450378			50450379
G18- -0-0-1							50468310
G18- -90-0-1							50468311
Extension G18- -0-0-1	50468312			50468313			
G19- -0-0-1							50468314
G19- -90-0-1							50468315

Proximity switch cables	0.1 m	0.6 m	1.5 m	2 m	3 m	5 m	10 m
R1- -0-open-1				11006443	50340925	11006446	50072072
R1- -90-open-1				11006447	50340954	11007826	50310513
R2- -0-0-1		11015003			50340271	11017754	
R2- -90-0-1					50340272	50340903	
R3- -0-open-1				11006428		11006431	50098553
R3- -90-open-1				11006429		11006430	
R5- -0-open-1				50359710		11007828	
R6- -0-0-1			50164838				
R8- -0-open-1					50340912	50265807	50310514
R9- -0-0-1					50341476	50341478	
R10- -0-0-1	50386489						

10

Sensor-actuator cable	0.1 m	0.6 m	1.5 m	2 m	3 m	5 m	10 m
6pol-male-0-open		50512492					
6pol-female-0-open						50512467	

Cable nomenclature:

Cable designation - Cable type - Cable length - Plug, module side - Plug, controller side - Cable type

e. g. **Motor cable-M5-5m-0-open-1:**

Cable designation:

- M: Motor cabel
- G: Encoder cable
- R: Proximity switch cable

Cable type:

M5: Cable type

Cable length:

5m: Cable length in m

Plug, module side:

- 0: Plug, straight
- 90: Plug, 90° angle

Plug, controller side:

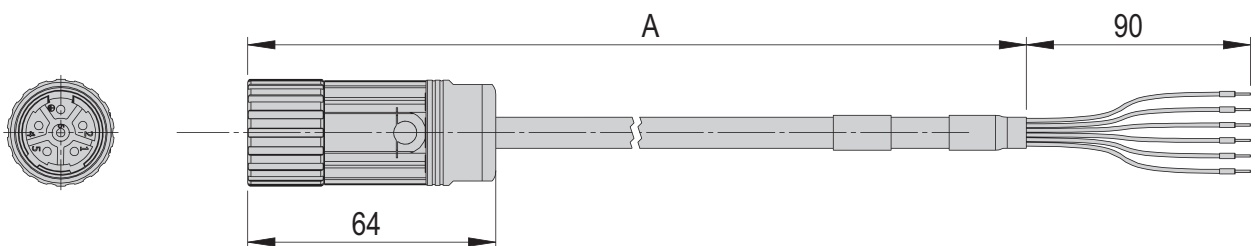
- 0: Plug, straight
- 1: Plug, straight/motor phases with additional plug
- 2: Plug, straight/motor phases open
- 3: Plug, straight/open wires
- open: open wires

Cable type

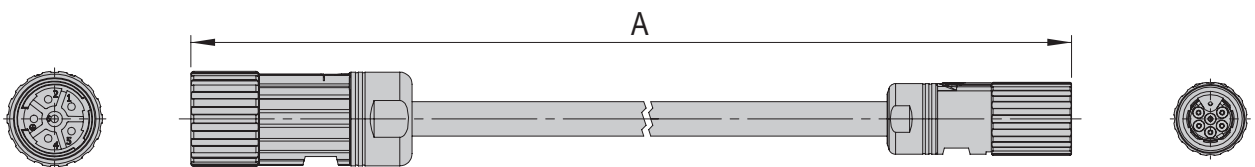
- X: Non-moving transfer
- 1: Moving transfer, drag chain
- 2: Moving transfer, robot

Cables

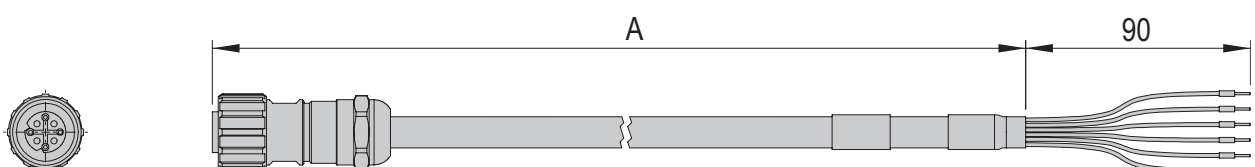
Motor cable-M5	5m-0-open-1	10m-0-open-1
Order number	50075693	50224179
Net weight	0.2 kg	0.4 kg
Cable Ø	11.2 mm	11.3 mm
Min. bending radii	90 mm	90 mm
Material	PUR	PUR
A	5 m	10 m



Motor cable-M9	3m-0-0-1	5m-0-0-1
Order number	50341506	50341507
Net weight	0.3 kg	0.5 kg
Cable Ø	11 mm	11 mm
Min. bending radii	90 mm	90 mm
Material	PUR	PUR
A	3 m	5 m

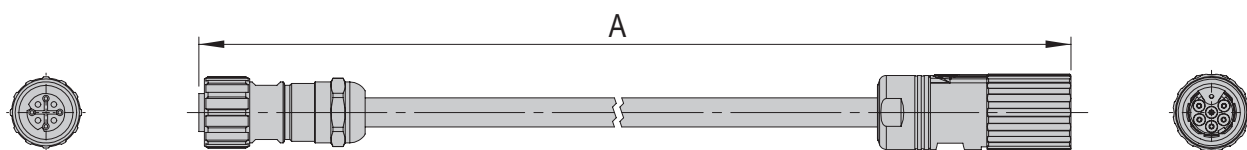


Motor cable-M10	5m-0-open-1	10m-0-open-1
Order number	50219768	50249065
Net weight	0.6 kg	1.1 kg
Cable Ø	10 mm	10 mm
Min. bending radii	90 mm	90 mm
Material	PUR	PUR
A	5 m	10 m



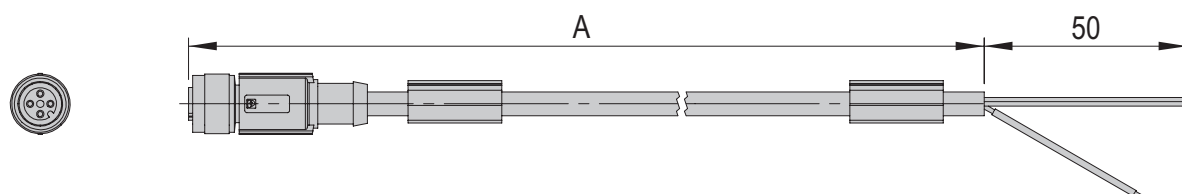
Cables

Motor cable-M11	3m-0-0-1	5m-0-0-1
Order number	50338982	50338983
Net weight	0.2 kg	0.3 kg
Cable Ø	10 mm	10 mm
Min. bending radii	90 mm	90 mm
Material	PUR	PUR
A	3 m	5 m

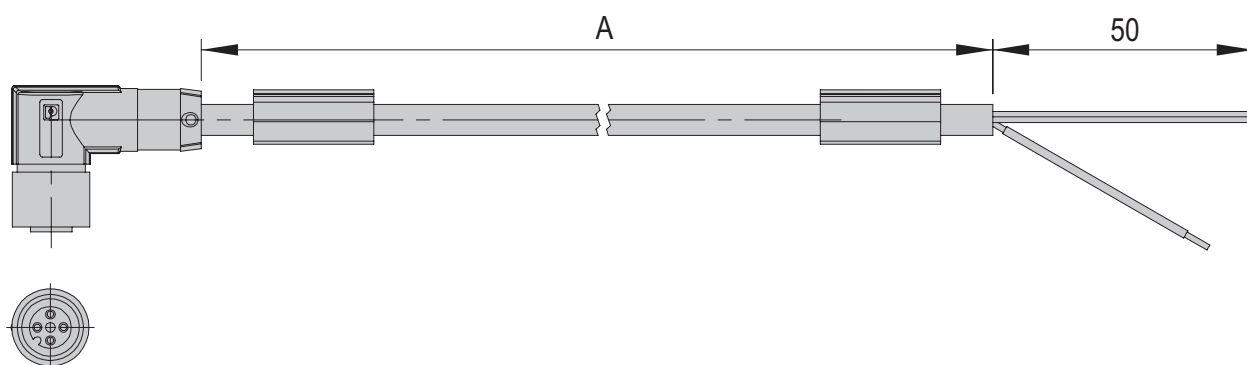


10

Motor cable-M12	5m-0-open-1	10m-0-open-1
Order number	50290459	50310506
Net weight	0.1 kg	0.2 kg
Cable Ø	6 mm	6 mm
Min. bending radii	90 mm	90 mm
Material	PUR	PUR
A	5 m	10 m

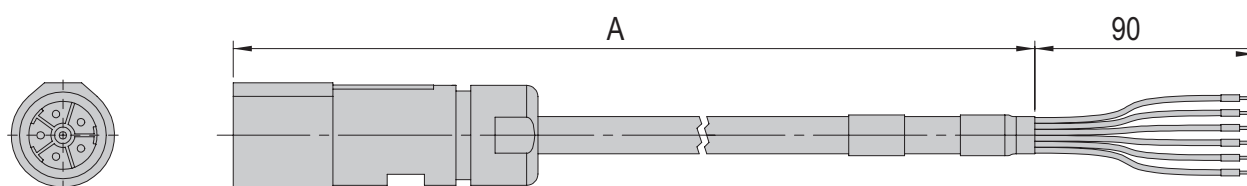


Motor cable-M12-90	5m-90-open-1	10m-90-open-1
Order number	50290460	50310507
Net weight	0.1 kg	0.2 kg
Cable Ø	6 mm	6 mm
Min. bending radii	90 mm	90 mm
Material	PUR	PUR
A	5 m	10 m

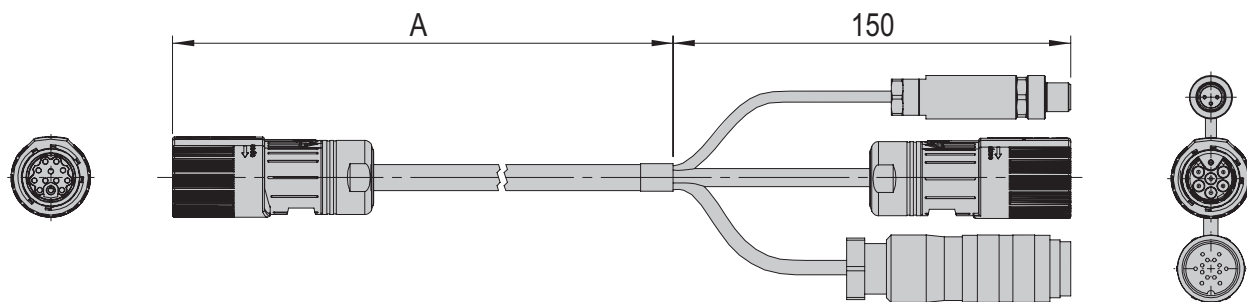


Cables

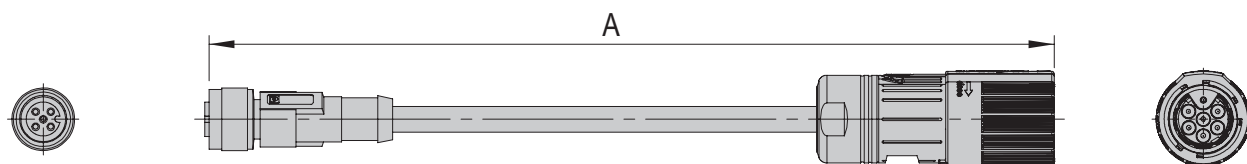
Motor cable-M13	5m-0-open-1	10m-0-open-1
Order number	50311326	50311327
Net weight	0.2 kg	0.4 kg
Cable Ø	11.3 mm	11.3 mm
Min. bending radii	90 mm	90 mm
Material	PUR	PUR
A	5 m	10 m



Motor cable-M14	3m-0-0-1	5m-0-0-1
Order number	50311491	50341510
Net weight	0.3 kg	0.5 kg
Cable Ø	7 mm	7 mm
Min. bending radii	90 mm	90 mm
Material	PUR	PUR
A	3 m	5 m

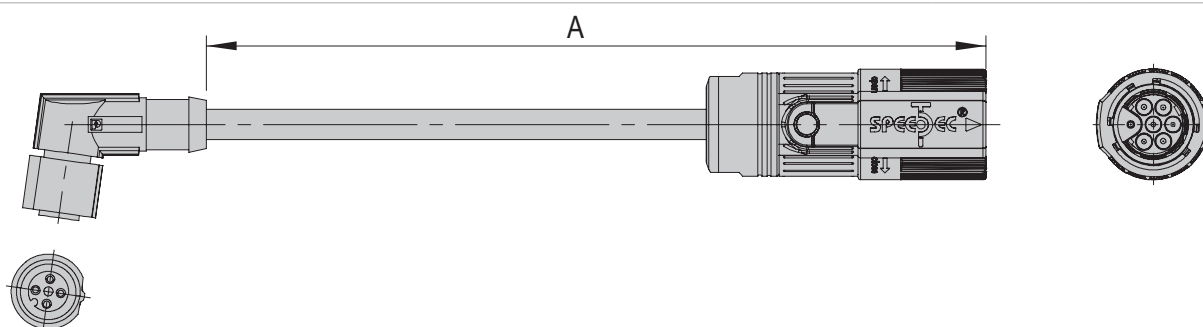


Motor cable-M15	3m-0-0-1	5m-0-0-1
Order number	50332418	50338977
Net weight	0.2 kg	0.3 kg
Cable Ø	6 mm	6 mm
Min. bending radii	90 mm	90 mm
Material	PUR	PUR
A	3 m	5 m



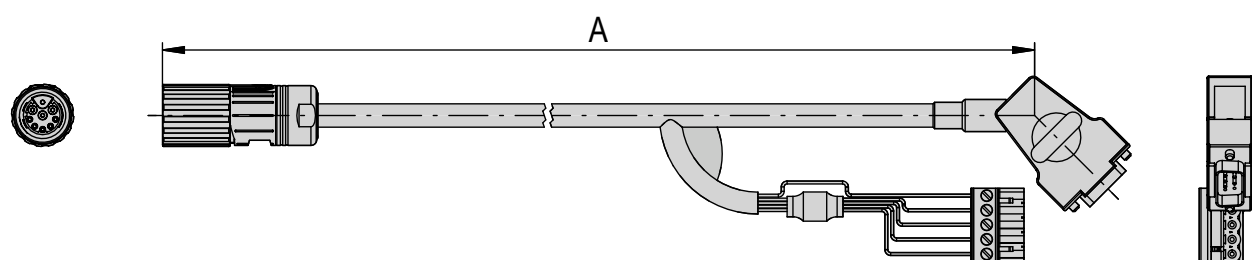
Cables

Motor cable-M15-90	3m-90-0-1	5m-90-0-1
Order number	50332420	50338978
Net weight	0.1 kg	0.2 kg
Cable Ø	6 mm	6 mm
Min. bending radii	90 mm	90 mm
Material	PUR	PUR
A	3 m	5 m

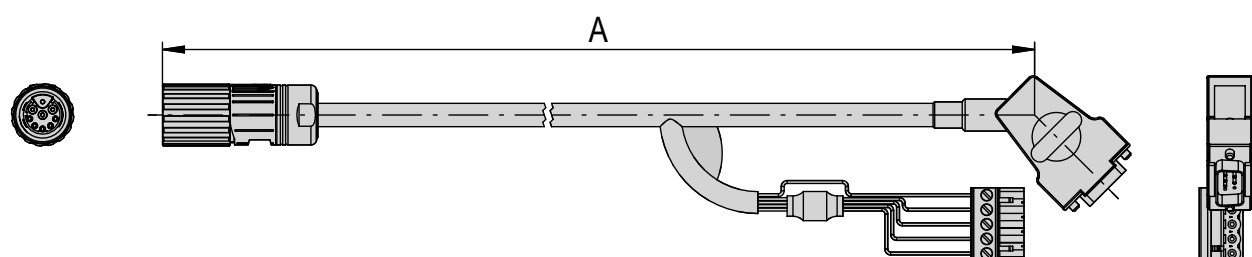


10

Motor cable-M16-0-1-X	4m-0-1-X	6m-0-1-X	8m-0-1-X
Order number	50463073	50463076	50463078
Net weight	0.6 kg	0.9 kg	1.2 kg
Cable Ø	8.2 mm	8.2 mm	8.2 mm
Min. bending radii	static 25 mm	static 25 mm	static 25 mm
Material	PUR	PUR	PUR
A	4 m	6 m	8 m

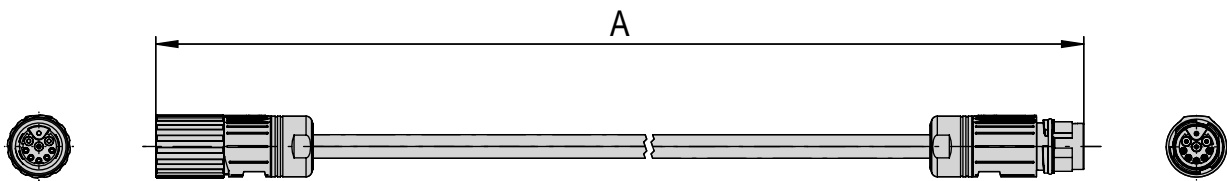


Motor cable M16-0-1-1	4m-0-1-1	6m-0-1-1	8m-0-1-1
Order number	50437168	50437167	50427023
Net weight	0.6 kg	0.9 kg	1.2 kg
Cable Ø	9.5 mm	9.5 mm	9.5 mm
Min. bending radii	60 mm	60 mm	60 mm
Material	PUR	PUR	PUR
A	4 m	6 m	8 m

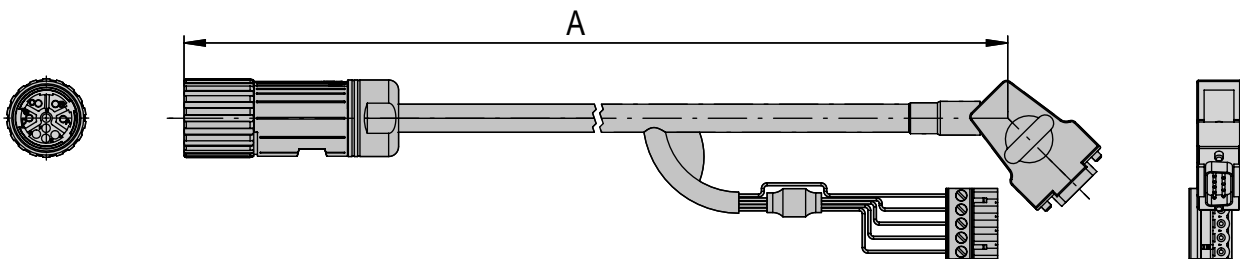


Cables

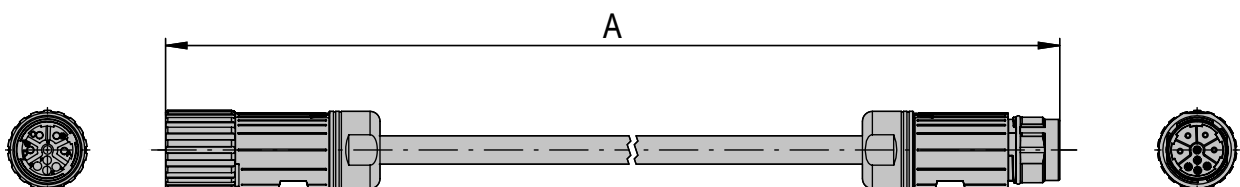
Motor cable extension for M16-0-0-1/2	2m-0-0-1	4m-0-0-1	6m-0-0-1	2m-0-0-2
Order number	50450944	50427026	50463082	50463081
Net weight	0.3 kg	0.6 kg	0.9 kg	0.2 kg
Cable Ø	9.5 mm	9.5 mm	9.5 mm	9.7 mm
Min. bending radii	60 mm	60 mm	60 mm	60 mm
Material	PUR	PUR	PUR	PUR
A	2 m	4 m	6 m	2 m



Motor cable-M17-0-1-1	4m-0-1-1	6m-0-1-1	8m-0-1-1
Order number	50437170	50437169	50427021
Net weight	0.6 kg	0.8 kg	1.1 kg
Cable Ø	10.8 mm	10.8 mm	10.8 mm
Min. bending radii	100 mm	100 mm	100 mm
Material	PUR	PUR	PUR
A	4 m	6 m	8 m

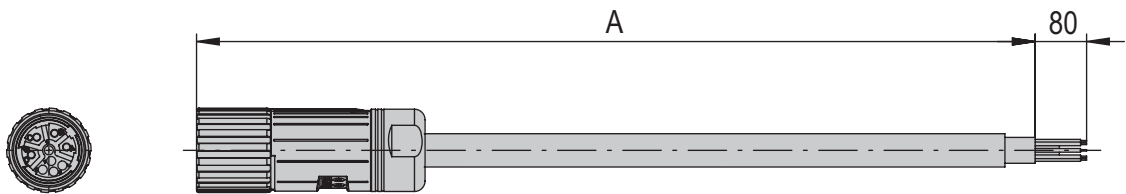


Motor cable extension for M17-0-0-1/2	2m-0-0-1	4m-0-0-1	6m-0-0-1	2m-0-0-2	4m-0-0-2
Order number	50463084	50427024	50463087	50463085	50463086
Net weight	0.4 kg	0.8 kg	1.2 kg	0.4 kg	0.8 kg
Cable Ø	10.8 mm	10.8 mm	10.8 mm	10.9 mm	10.9 mm
Min. bending radii	100 mm	100 mm	100 mm	100 mm	100 mm
Material	PUR	PUR	PUR	PUR	PUR
A	2 m	4 m	6 m	2 m	4 m

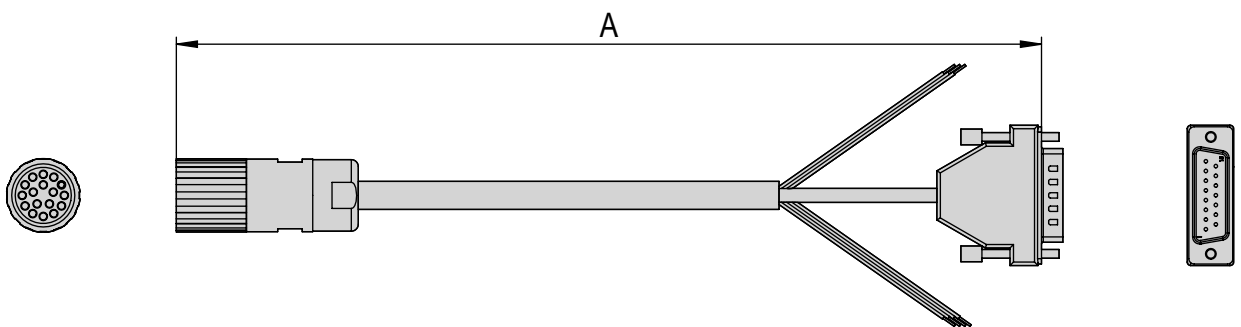


Cables

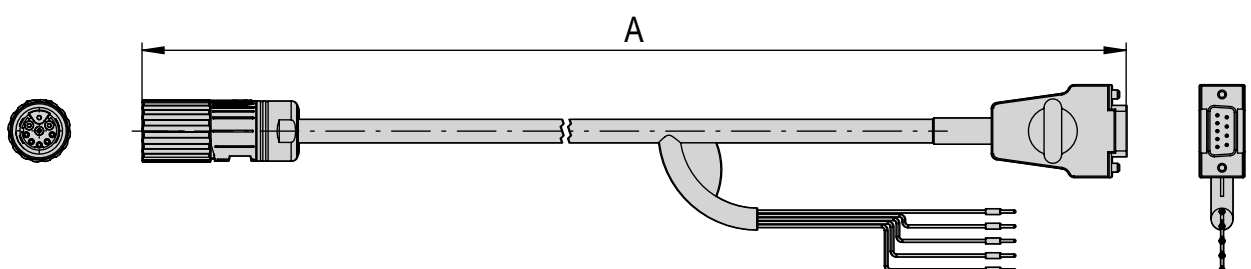
Motor cable-M18	5m-0-open-1	10m-0-open-1
Order number	50450380	50446251
Net weight	0.5 kg	0.6 kg
Cable Ø	10.2 mm	10.2 mm
Min. bending radii	120 mm	120 mm
Material	PUR	PUR
A	5 m	10 m



Motor cable-M19-0-0-1	3m-0-0-1	5m-0-0-1
Order number	50459733	50459734
Net weight	1 kg	1.3 kg
Cable Ø	8.3 mm	8.3 mm
Min. bending radii	90 mm	90 mm
Material	PUR	PUR
A	3 m	5 m

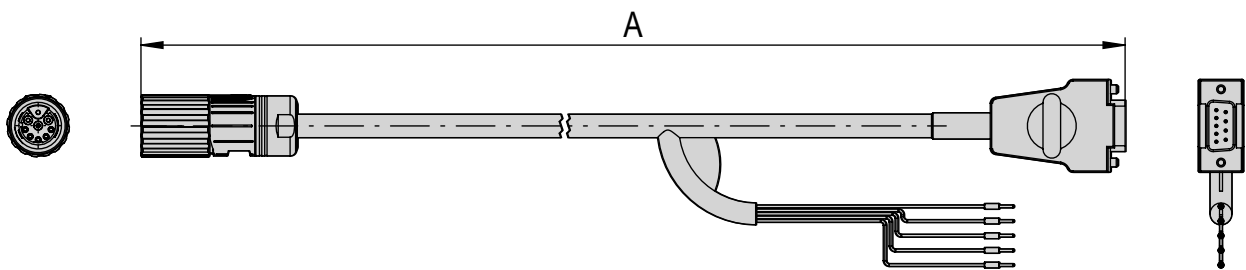


Motor cable-M20-0-2-X	4m-0-2-X	6m-0-2-X	8m-0-2-X
Order number	50463088	50463090	50463092
Net weight	0.6 kg	0.9 kg	1.2 kg
Cable Ø	8.2 mm	8.2 mm	8.2 mm
Min. bending radii	static 25 mm	static 25 mm	static 25 mm
Material	PUR	PUR	PUR
A	4 m	6 m	8 m

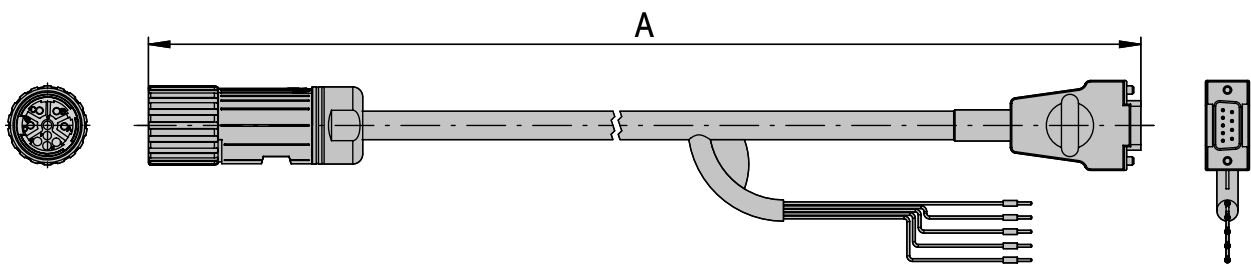


Cables

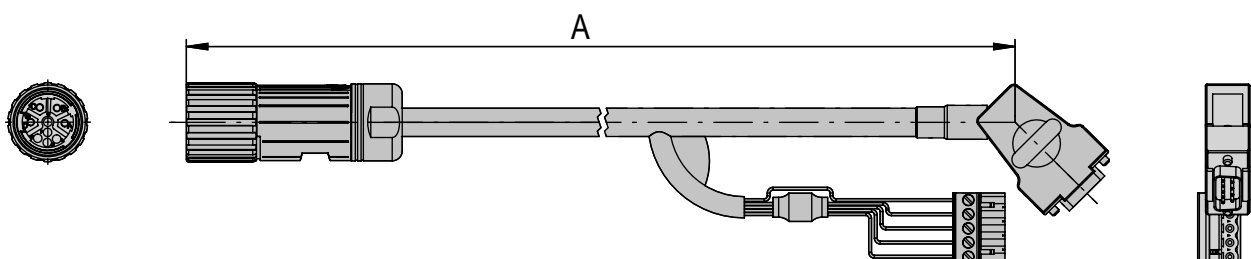
Motor cable-M20-0-2-1	4m-0-2-1	6m-0-2-1	8m-0-2-1
Order number	50463089	50463091	50463093
Net weight	0.6 kg	1 kg	1.3 kg
Cable Ø	9.5 mm	9.5 mm	9.5 mm
Min. bending radii	60 mm	60 mm	60 mm
Material	PUR	PUR	PUR
A	4 m	6 m	8 m



Motor cable-M22-0-2-1	4m-0-2-1	6m-0-2-1	8m-0-2-1
Order number	50463100	50463101	50463103
Net weight	0.7 kg	1.1 kg	1.4 kg
Cable Ø	10.8 mm	10.8 mm	10.8 mm
Min. bending radii	100 mm	100 mm	100 mm
Material	PUR	PUR	PUR
A	4 m	6 m	8 m

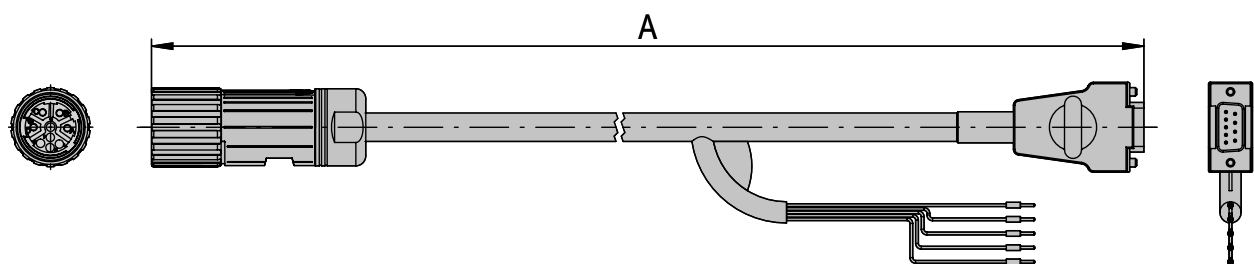


Motor cable-M23-0-1-X	4m-0-1-X	6m-0-1-X	8m-0-1-X
Order number	50463104	50463105	50463106
Net weight	1 kg	1.5 kg	2 kg
Cable Ø	11.2 mm	11.2 mm	11.2 mm
Min. bending radii	static 50 mm	static 50 mm	static 50 mm
Material	PUR	PUR	PUR
A	4 m	6 m	8 m



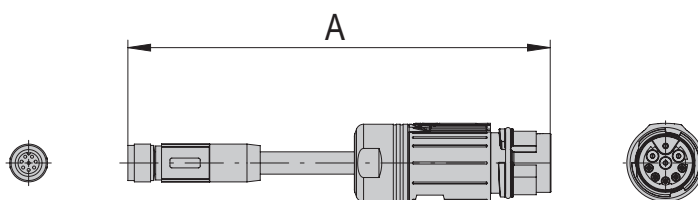
Cables

Motor cable-M24-0-2-X	4m-0-2-X	6m-0-2-X	8m-0-2-X
Order number	50463107	50463108	50463109
Net weight	1 kg	1.5 kg	2 kg
Cable Ø	11.2 mm	11.2 mm	11.2 mm
Min. bending radii	50 mm	50 mm	50 mm
Material	PUR	PUR	PUR
A	4 m	6 m	8 m



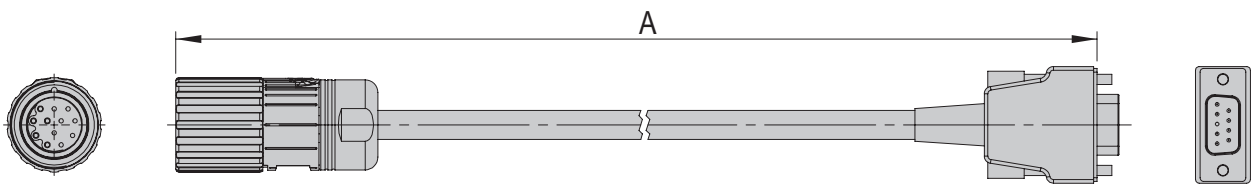
10

Adapter E58/12 cable M16	
Order number	50455642
Net weight	0.1 kg
Cable Ø	11.2 mm
Min. bending radii	static 50
Material	PUR
A	0.11 m

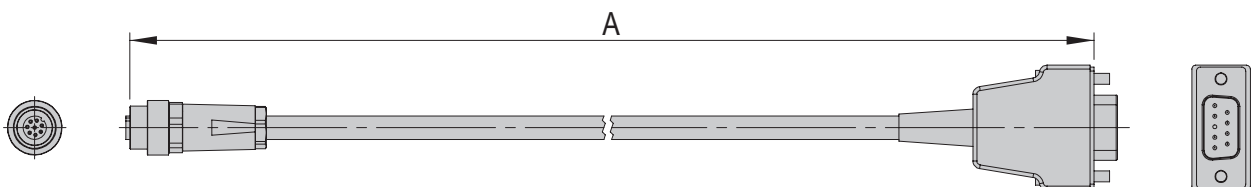


Encoder cables

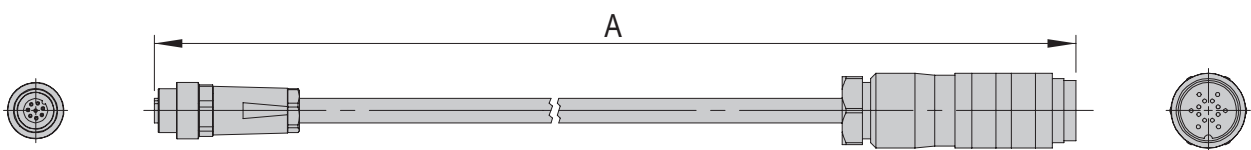
Encoder cable-G5	5m-0-0-1	10m-0-0-1
Order number	50075695	50224183
Net weight	0.4 kg	0.7 kg
Cable Ø	7 mm	7 mm
Min. bending radii	90 mm	90 mm
Material	PUR	PUR
A	5 m	10 m



Encoder cable-G6	5m-0-0-1	10m-0-0-1
Order number	50100693	50224185
Net weight	0.2 kg	0.4 kg
Cable Ø	7 mm	7 mm
Min. bending radii	90 mm	90 mm
Material	PUR	PUR
A	5 m	10 m

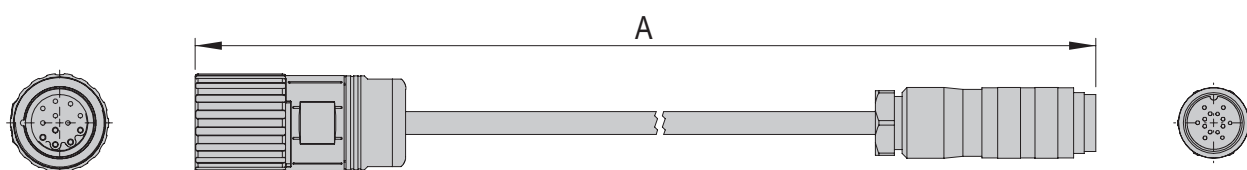


Encoder cable-G8	3m-0-0-1	5m-0-0-1
Order number	50341479	50341480
Net weight	0.3 kg	0.4 kg
Cable Ø	7 mm	7 mm
Min. bending radii	90 mm	90 mm
Material	PUR	PUR
A	3 m	5 m



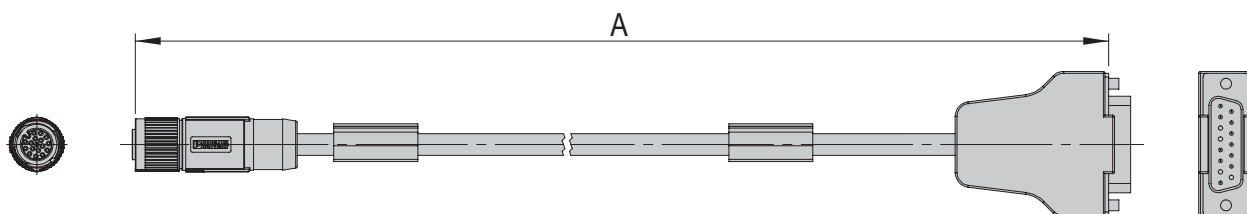
Encoder cables

Encoder cable-G9	3m-0-0-1	5m-0-0-1
Order number	50341491	50341493
Net weight	0.3 kg	0.4 kg
Cable Ø	7 mm	7 mm
Min. bending radii	90 mm	90 mm
Material	PUR	PUR
A	3 m	5 m

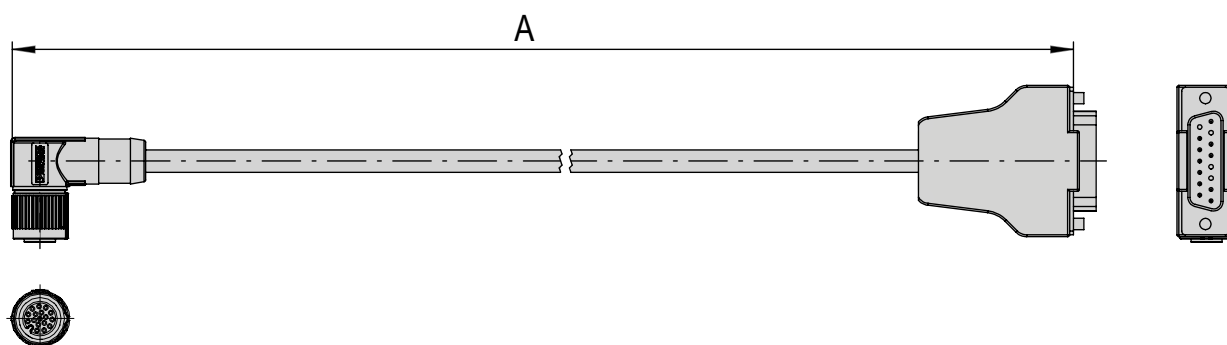


10

Encoder cable-G10	5m-0-0-1	10m-0-0-1
Order number	50297199	50310508
Net weight	0.6 kg	1.2 kg
Cable Ø	9.2 mm	9.2 mm
Min. bending radii	90 mm	90 mm
Material	PUR	PUR
A	5 m	10 m

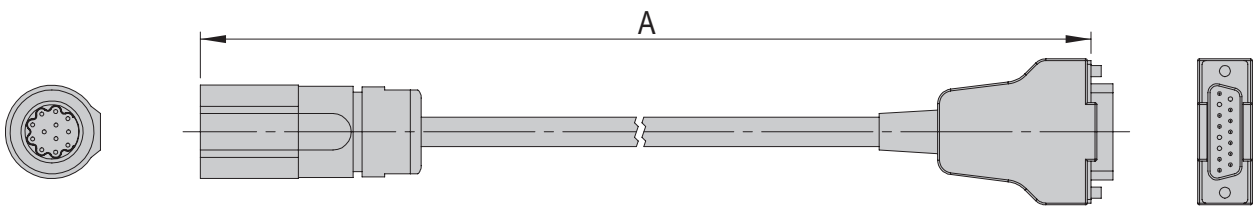


Encoder cable-G10-90	5m-90-0-1	10m-90-0-1
Order number	50297200	50310509
Net weight	0.6 kg	1.1 kg
Cable Ø	9.2 mm	9.2 mm
Min. bending radii	90 mm	90 mm
Material	PUR	PUR
A	5 m	10 m

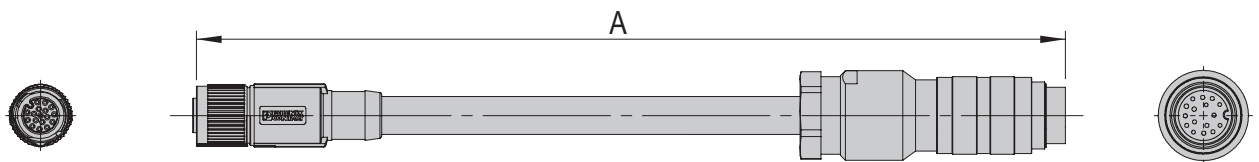


Encoder cables

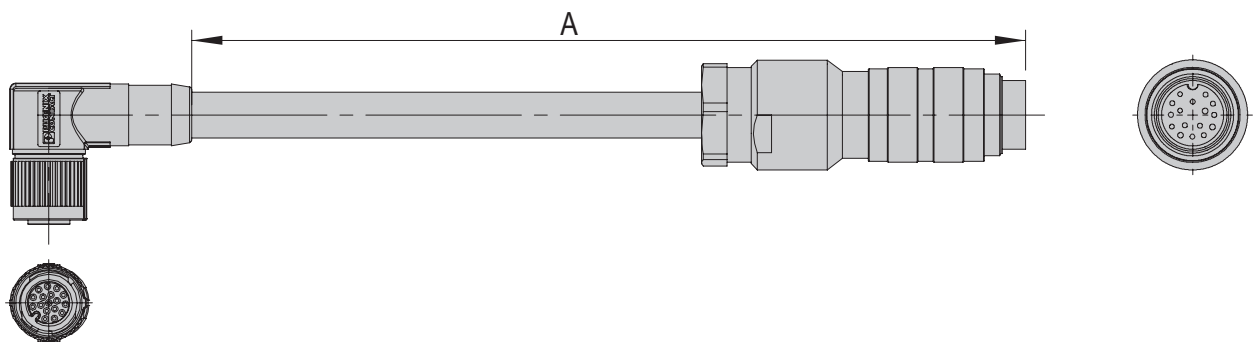
Encoder cable-G11	5m-0-0-1	10m-0-0-1
Order number	50311323	50311325
Net weight	0.6 kg	1.2 kg
Cable Ø	8.5 mm	8.5 mm
Min. bending radii	90 mm	90 mm
Material	PUR	PUR
A	5 m	10 m



Encoder cable-G12	3m-0-0-1	5m-0-0-1
Order number	50332416	50338975
Net weight	0.4 kg	0.6 kg
Cable Ø	9.2 mm	9.2 mm
Min. bending radii	90 mm	90 mm
Material	PUR	PUR
A	3 m	5 m

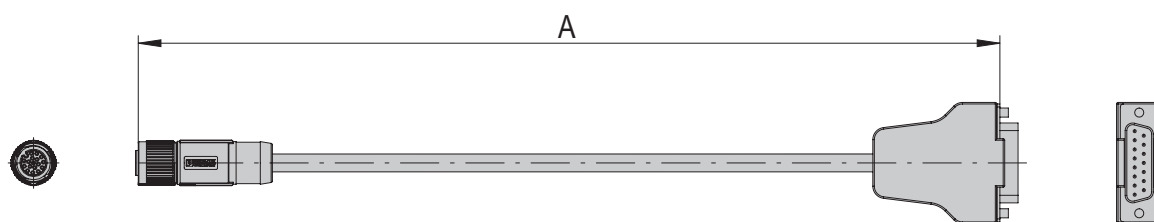


Encoder cable-G12-90	3m-90-0-1	5m-90-0-1
Order number	50332417	50338976
Net weight	0.4 kg	0.6 kg
Cable Ø	9.2 mm	9.2 mm
Min. bending radii	90 mm	90 mm
Material	PUR	PUR
A	3 m	5 m



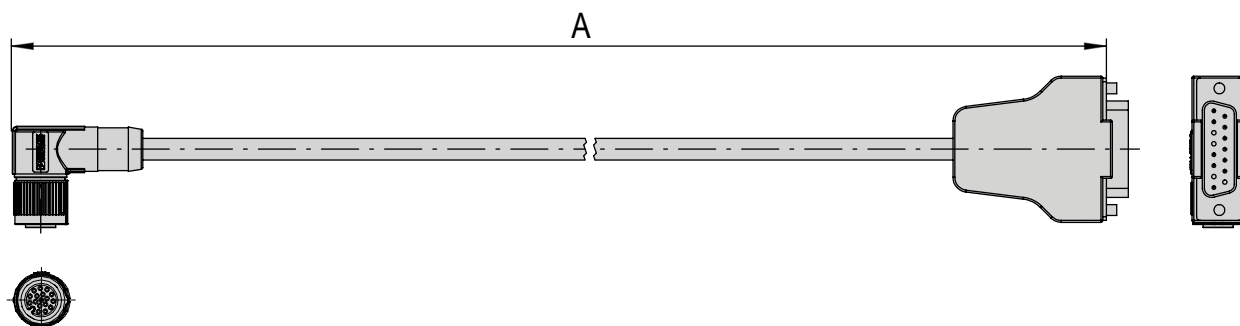
Encoder cables

Encoder cable-G14	3m-0-0-1	5m-0-0-1	10m-0-0-1
Order number	50443145	50439300	50450518
Net weight	0.2 kg	0.3 kg	0.6 kg
A	3 m	5 m	10 m

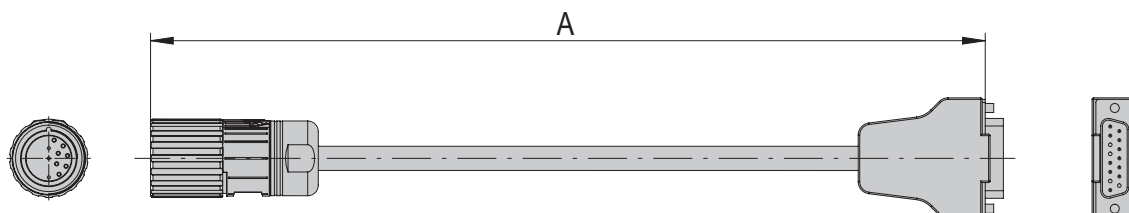


10

Encoder cable-G14-90	3m-90-0-1	5m-90-0-1	10m-90-0-1
Order number	50450519	50450520	50450521
Net weight	0.1 kg	0.2 kg	0.4 kg
A	3 m	5 m	10 m

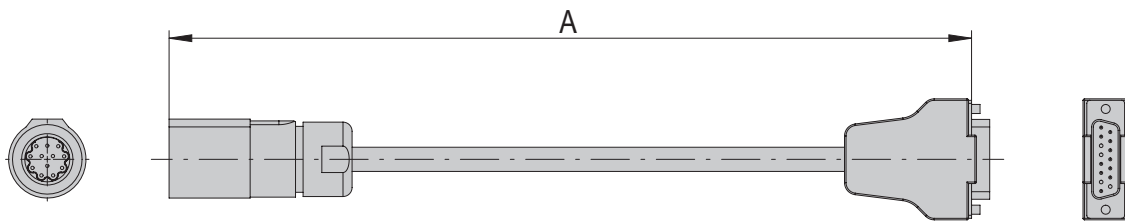


Encoder cable-G16	5m-0-0-1	10m-0-0-1
Order number	50450376	50446252
Net weight	0.4 kg	0.8 kg
A	5 m	10 m

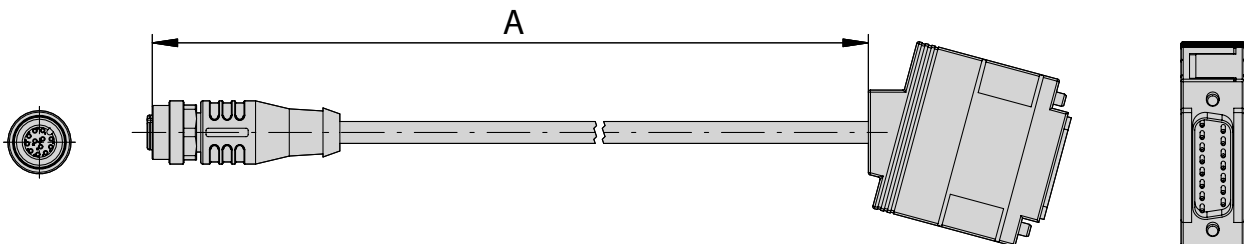


Encoder cables

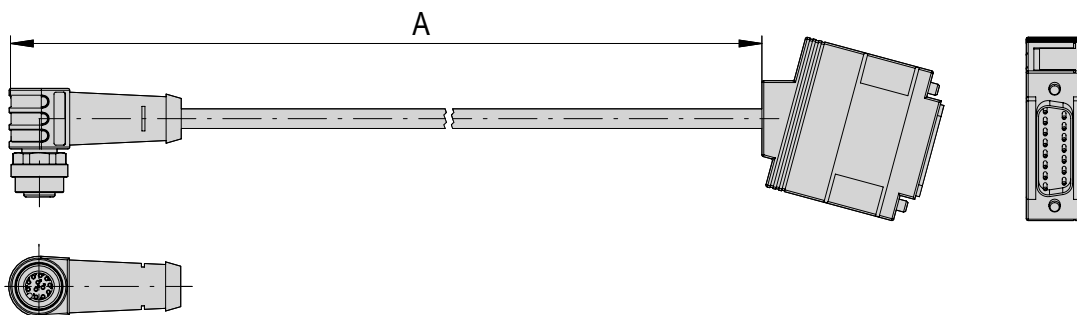
Encoder cable-G17	5m-0-0-1	10m-0-0-1
Order number	50450378	50450379
Net weight	0.4 kg	0.8 kg
A	5 m	10 m



Encoder cable-G18	10m-0-0-1
Order number	50468310
Net weight	0.6 kg
A	10 m

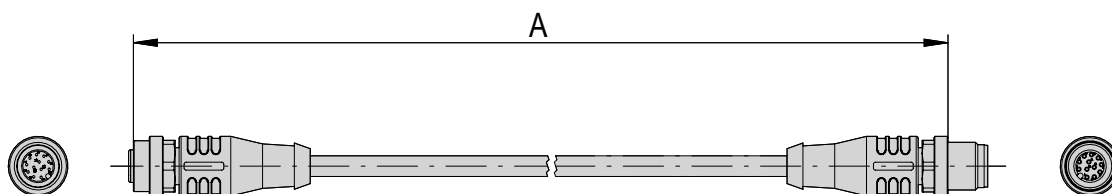


Encoder cable-G18-90	10m-90-0-1
Order number	50468311
Net weight	0.6 kg
A	10 m

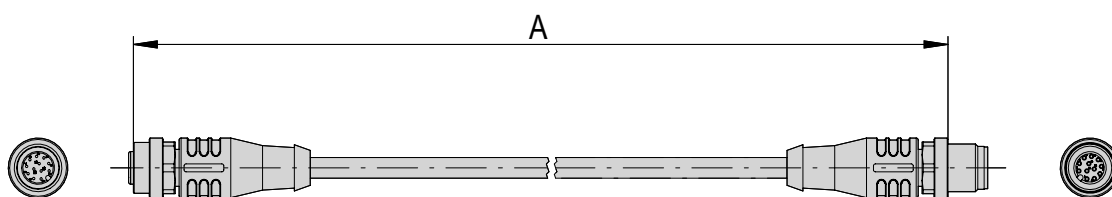


Encoder cables

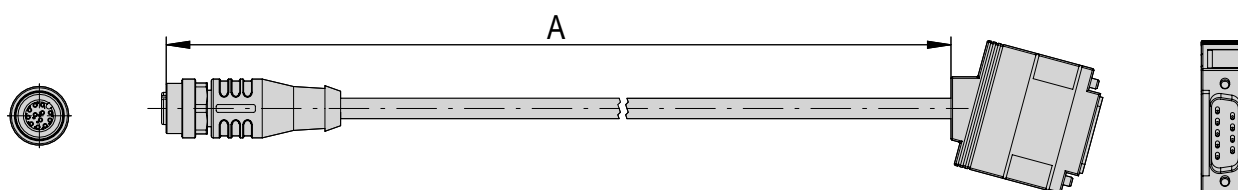
Extension-G18		2m-0-0-1
Order number	50468312	
Net weight	0.1 kg	
A	2 m	



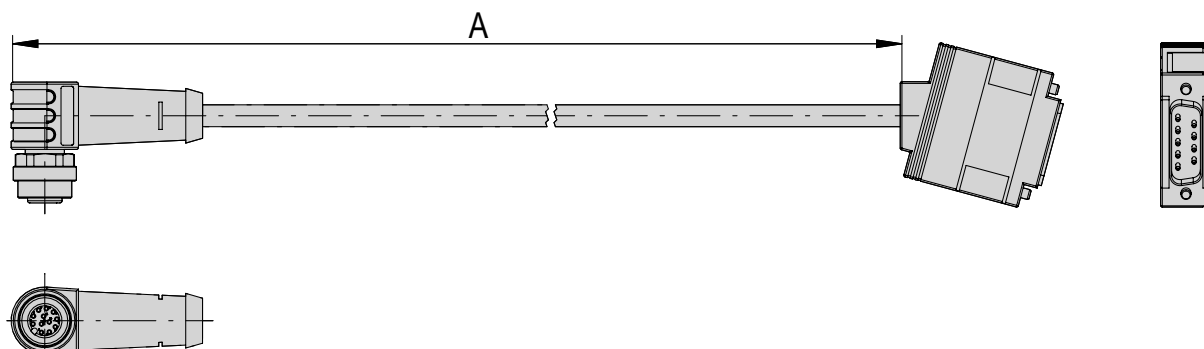
Extension-G18		5m-0-0-1
Order number	50468313	
Net weight	0.3 kg	
A	5 m	



Encoder cable-G19		10m-0-0-1
Order number	50468314	
Net weight	0.6 kg	
A	10 m	

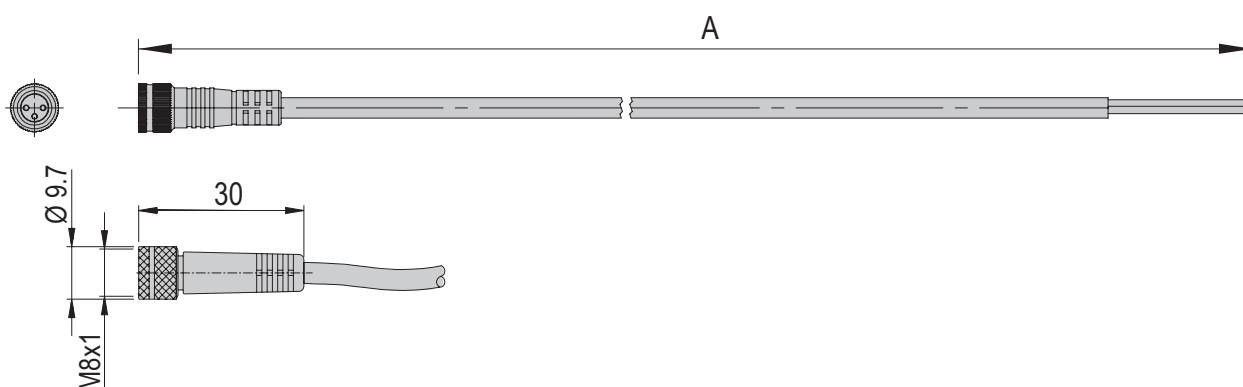


Encoder cable-G19-90		10m-0-0-1
Order number	50468315	
Net weight	0.6 kg	
A	10 m	

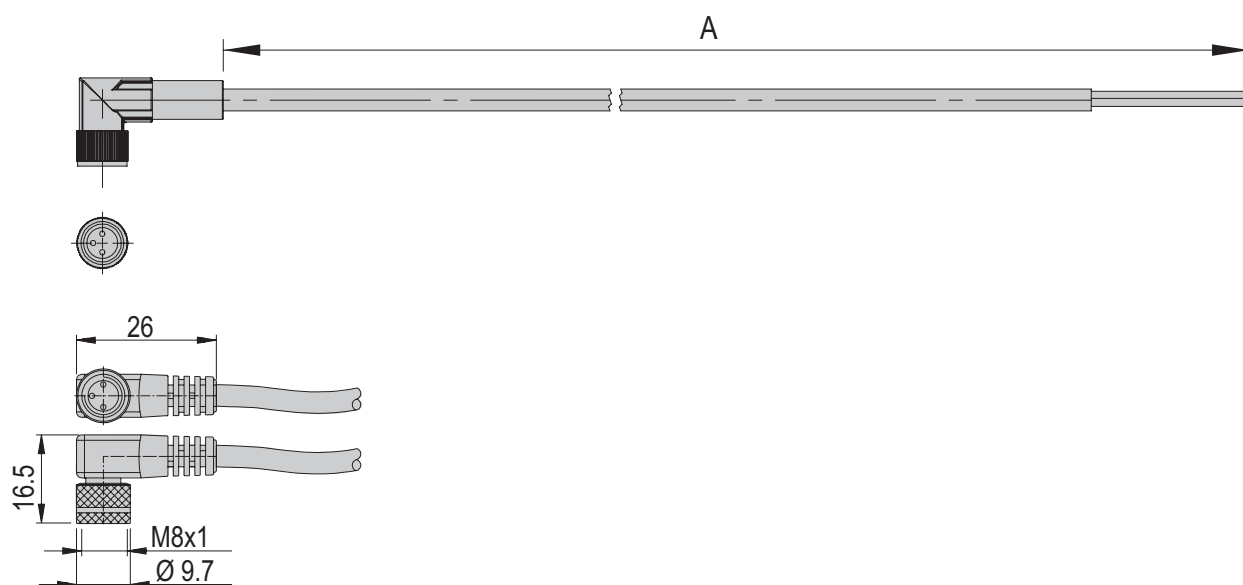


Proximity switch cables

Proximity switch cable-R1	2m-0-open	3m-0-open	5m-0-open	10m-0-open
Order number	11006443	50340925	11006446	50072072
Net weight	0.03 kg	0.03 kg	0.1 kg	0.2 kg
Cable Ø	4.5 mm	4.5 mm	4.5 mm	4.5 mm
Min. bending radii	50 mm	50 mm	50 mm	50 mm
Material	PUR	PUR	PUR	PUR
A	2 m	3 m	5 m	10 m

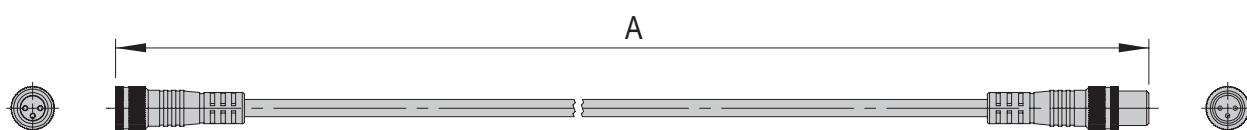


Proximity switch cable-R1-90	2m-90-open	3m-90-open	5m-90-open	10m-90-open
Order number	11006447	50340954	11007826	50310513
Net weight	0.04 kg	0.04 kg	0.1 kg	0.2 kg
Cable Ø	4.5 mm	4.5 mm	4.5 mm	4.5 mm
Min. bending radii	50 mm	50 mm	50 mm	50 mm
Material	PUR	PUR	PUR	PUR
A	2 m	3 m	5 m	10 m



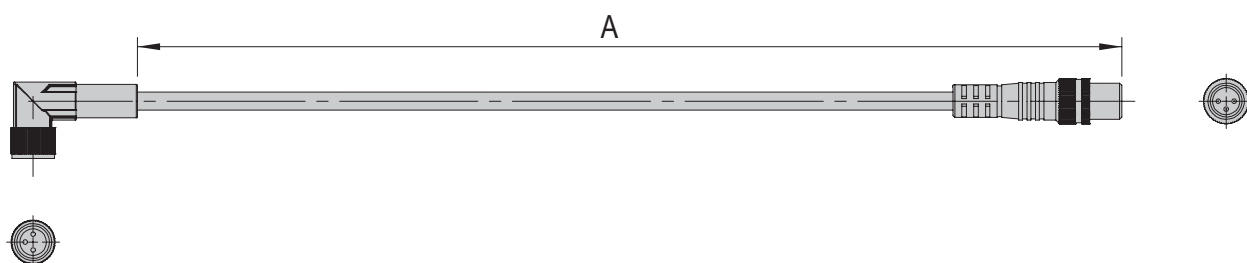
Proximity switch cables

Proximity switch cable-R2	0.6m-0-0	3m-0-0	5m-0-0
Order number	11015003	50340271	11017754
Net weight	0.04 kg	0.07 kg	0.1 kg
Cable Ø	4.5 mm	4.5 mm	4.5 mm
Min. bending radii	50 mm	50 mm	50 mm
Material	PUR	PUR	PUR
A	0.6 m	3 m	5 m

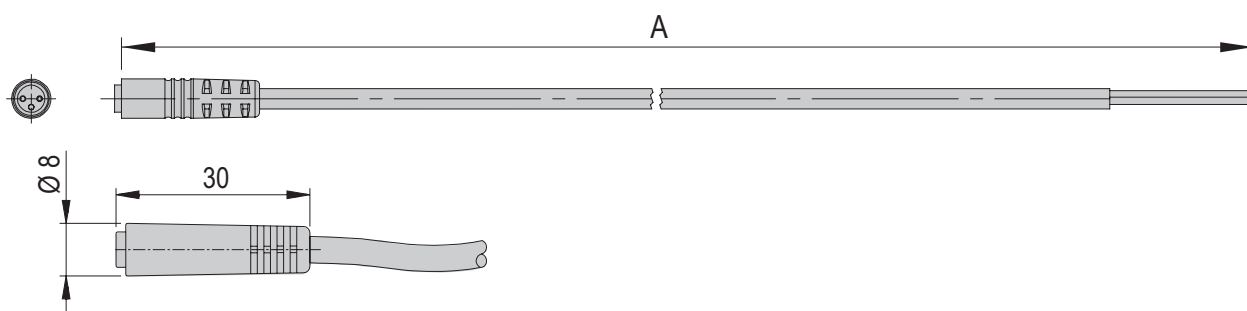


10

Proximity switch cable-R2-90	3m-90-0	5m-90-0
Order number	50340272	50340903
Net weight	0.08 kg	0.1 kg
Cable Ø	4.5 mm	4.5 mm
Min. bending radii	50 mm	50 mm
Material	PUR	PUR
A	3 m	5 m

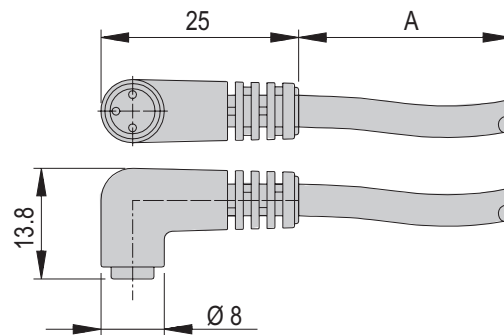


Proximity switch cable-R3	2m-0-open	5m-0-open	10m-0-open
Order number	11006428	11006431	50098553
Net weight	0.03 kg	0.1 kg	0.2 kg
Cable Ø	4.5 mm	4.5 mm	4.5 mm
Min. bending radii	50 mm	50 mm	50 mm
Material	PVC	PVC	PVC
A	2 m	5 m	10 m

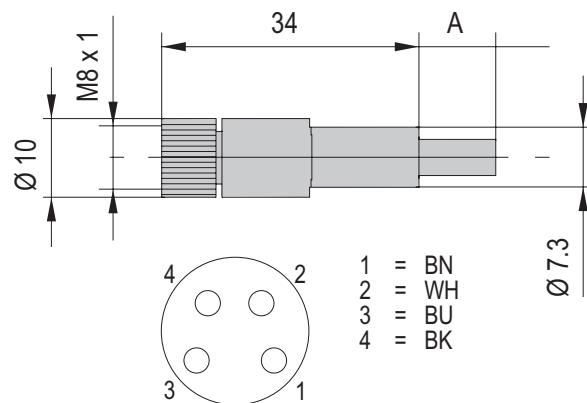


Proximity switch cables

Proximity switch cable-R3-90	2m-90-open	5m-90-open
Order number	11006429	11006430
Net weight	0.03 kg	0.1 kg
Cable Ø	4.5 mm	4.5 mm
Min. bending radii	50 mm	50 mm
Material	PVC	PVC
A	2 m	5 m



Proximity switch cable-R5	2m-0-open	5m-0-open
Order number	50359710	11007828
Net weight	0.01 kg	0.01 kg
Min. bending radii	50 mm	50 mm
Material	PUR	PUR
A	2 m	5 m

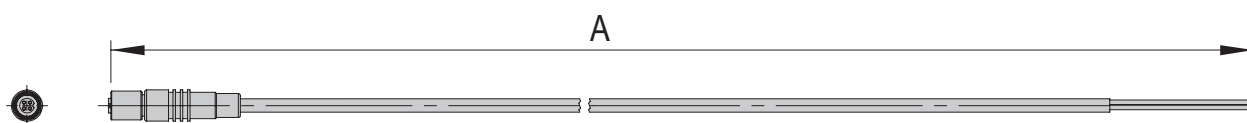


Proximity switch cable-R6	1.5m-0-0
Order number	50164838
Net weight	0.07 kg
Cable Ø	4.5 mm
Min. bending radii	50 mm
Material	PUR

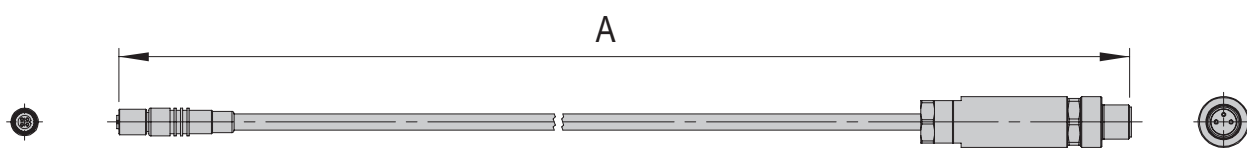


Proximity switch cables

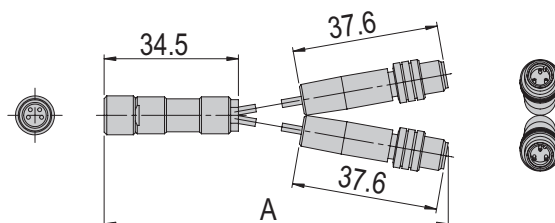
Proximity switch cable-R8	3m-0-open	5m-0-open	10n-0-open
Order number	50340912	50265807	50310514
Net weight	0.04 kg	0.07 kg	0.1 kg
Cable Ø	4.5 mm	4.5 mm	4.5 mm
Min. bending radii	50 mm	50 mm	50 mm
Material	PUR	PUR	PUR
A	3 m	5 m	10 m



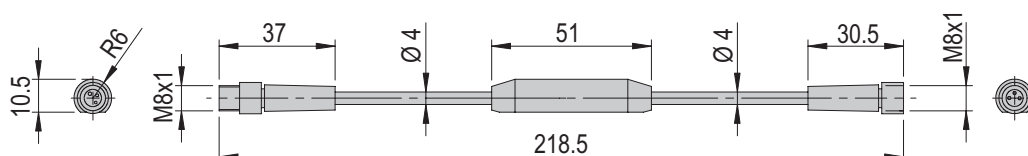
Proximity switch cable-R9	3m-0-0	5m-0-0
Order number	50341476	50341478
Net weight	0.06 kg	0.08 kg
Cable Ø	3 mm	3 mm
Min. bending radii	50 mm	50 mm
Material	PUR	PUR
A	3 m	5 m



Proximity switch cable-R10	0.1m-0-00
Order number	50386489
Net weight	0.05 kg
Cable Ø	3 mm
Min. bending radii	50 mm
Material	PUR
A	0.1 m



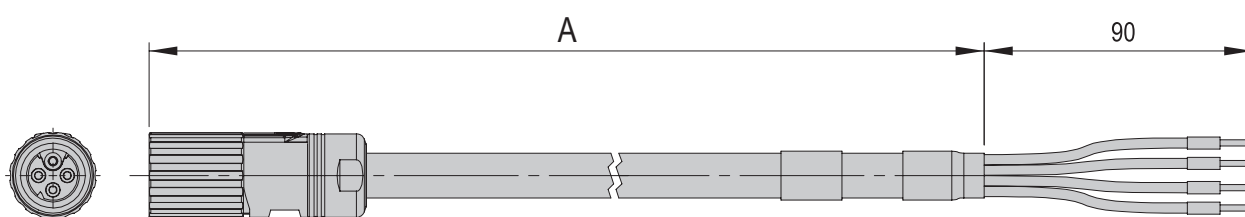
Converter PNP/NPN	50113272
Net weight	0.01 kg
Cable Ø	4 mm



Power cables

Power cable SE-24/SE-48

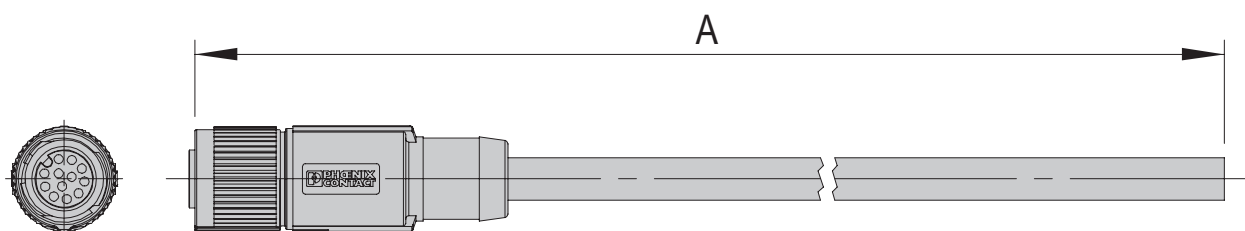
Order number	50118124	50235739
Net weight	1.1 kg	0.3 kg
Cable Ø	11.3 mm	11.3 mm
Material	PVC	PVC
A	5 m	10 m



I/O cables

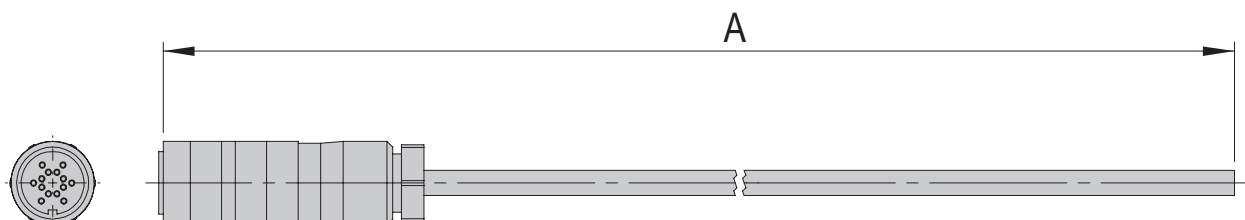
I/O cable SE-24

Order number	50312913	50342940
Net weight	0.03 kg	0.06 kg
Cable Ø	6 mm	6 mm
Material	PVC	PVC
A	5 m	10 m



I/O-cable SE-48

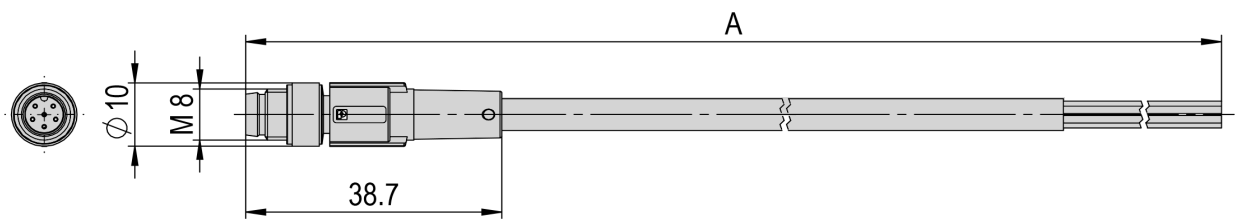
Order number	50119231	50310515
Net weight	0.1 kg	0.2 kg
Cable Ø	6 mm	6 mm
Material	PVC	PVC
A	5 m	10 m



Sensor-actuator cables

Sensor-actuator cable-6pol-male-0.6m-0-open

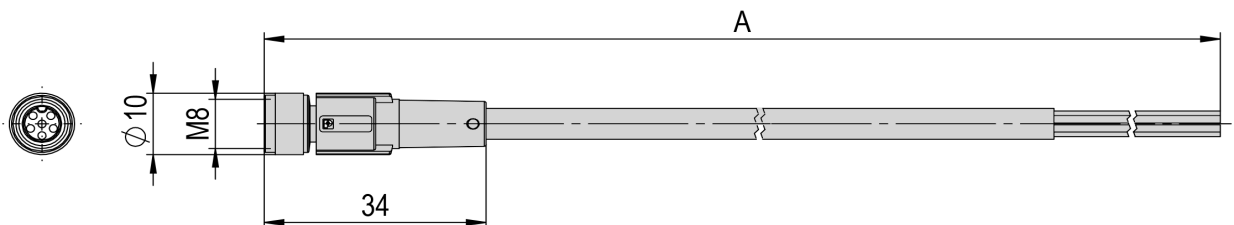
Order number	50512492
Net weight	0.04 kg
Cable Ø	5 mm
Material	PUR
A	0.6 m



10

Sensor-actuator cable-6pol-female-5m-0-open

Order number	50512467
Net weight	0.20 kg
Cable Ø	5 mm
Material	PUR
A	5 m



Item number index

Symbols		
6kt-Mu 0.8d M5 DIN934.....	52	
11001440.....	14	
11001621.....	13	
11001821.....	28	
11001825.....	28	
11001847.....	28	
11002452.....	33	
11004894.....	15	
11004975.....	15	
11004990.....	58	
11004995.....	74	
11004997.....	74	
11005014.....	32	
11005015.....	32	
11005436.....	74	
11005439.....	71	
11005908.....	14	
11009034.....	70	
11009167.....	14	
11009168.....	14	
11009229.....	66	
11009230.....	66	
11010369.....	12	
11010702.....	22	
11010759.....	71	
11011070.....	33	
11012241.....	21	
11012933.....	73	
11014931.....	16	
11014949.....	15	
11014954.....	15	
11016714.....	70	
11016902.....	10	
11017417.....	12	
11017960.....	16	
50001023.....	70	
50001370.....	16	
50001373.....	31	
50001374.....	32	
50003068.....	13	
50003811.....	71	
50017888.....	13	
50033432.....	73	
50035662.....	32	
50035812.....	31	
50036337.....	138	
50036340.....	148	
50036780.....	66	
50038777.....	148	
50040978.....	31	
50041054.....	9	50102766..... 136
50041056.....	10	50102767..... 136
50041068.....	11	50105233..... 57
50041089.....	58	50105234..... 57
50042748.....	74	50105235..... 57
50045855.....	66	50112458..... 148
50046138.....	57	50144770..... 72
50046516.....	66	50162993..... 138
50048428.....	57	50183996..... 138
50060095.....	31	50205299..... 22
50073314.....	76	50214488..... 17
50073315.....	76	50224961..... 64
50074821.....	29	50230625..... 71
50074822.....	29	50244904..... 32
50074823.....	29	50252676..... 33
50074824.....	29	50252678..... 33
50074825.....	29	50252854..... 60
50074827.....	29	50254005..... 29
50077086.....	29	50254006..... 29
50077087.....	29	50254007..... 30
50077103.....	9	50254008..... 22
50077106.....	9	50254009..... 23
50077107.....	9	50254010..... 23
50077108.....	10	50254011..... 23
50077109.....	10	50254012..... 23
50077110.....	10	50254013..... 24
50077113.....	10	50272309..... 18
50077115.....	11	50272311..... 17
50077116.....	11	50272384..... 17
50077118.....	11	50279234..... 24
50077119.....	11	50280005..... 18
50077120.....	11	50282683..... 56
50077121.....	12	50285525..... 71
50077122.....	12	50286115..... 64
50077130.....	13	50286941..... 56
50077143.....	21	50287664..... 64
50077144.....	21	50287720..... 58
50077145.....	21	50287968..... 64
50077146.....	27	50298509..... 56
50077147.....	27	50300442..... 60
50077217.....	27	50310020..... 58
50077218.....	27	50310021..... 60
50077219.....	28	50313986..... 72
50077220.....	28	50313987..... 73
50077224.....	22	50315432..... 147
50093507.....	70	50315434..... 134
50095813.....	16	50315435..... 134
50098367.....	64	50315436..... 134
50100898.....	64	50315437..... 134
50101005.....	31	50331960..... 18
50101720.....	32	50332006..... 18

Item number index

50332008.....	19
50332010.....	19
50332465.....	30
50332560.....	32
50333787.....	19
50353043.....	31
50353058.....	30
50353062.....	19
50353197.....	20
50353229.....	20
50373127.....	24
50389768.....	56
50389779.....	31
50390283.....	24
50393463.....	148
50396474.....	25
50396475.....	25
50396476.....	25
50396482.....	30
50400874.....	56
50400907.....	20
50401765.....	30
50403640.....	31
50403642.....	30
50418506.....	148
50419400.....	142
50419401.....	142
50419402.....	140
50419403.....	140
50419404.....	140
50421487.....	146
50426471.....	148
50426476.....	148
50426480.....	148
50426481.....	148
50426494.....	148
50428013.....	72
50436475.....	146
50438369.....	151
50439465.....	149
50439466.....	150
50445640.....	148
50448225.....	71
50448226.....	70
50465787.....	144
50465792.....	144
50465793.....	144
50465794.....	144

Key word index

A	
Absorbing element for ASED M4x0.5-1	56
Absorbing element for ASED M5/M6x0.5	56
Accessories ASED	56
Accessories controller C11xx, C12xx, E14xx. 148, 149, 151	
Accessories proximity switch.....	74
Accessories SD	60
Accessories SE.....	147, 148
Adjusting stop pin.....	66
Adjusting stop pin M8x1/25	66
Adjusting stop pin M8x1/40	66
Angle plates.....	21, 22, 23, 24, 25
ASED M4x0.5-1	56
ASED M5x0.5 -1	56
ASED M6x0.5 -1	56
ASH M8x1-1	64
ASH M10x1-1	64
ASH M10x1-2	64
ASH M12x1-1	64
ASH M16x1-1	64
ASH M18x1-1	64
ASS 05/12.....	66
ASS 05/22.....	66
ASS 05/37.....	66
ASSD M5x0.5-2	57
ASSD M6x0.5-1	57
ASSD M10x1-1	57
ASSD M12x1 -1	57
ASSD M14x1 -1	57

C	
C1100 CanOpen STO.....	140, 142
C1150 EtherCat STO.....	140
C1150 Profinet PN STO	140
Centering bushing Ø4x2	52
Centering bushing Ø5x2.5	52
Centering bushing Ø7x3	52
Centering bushing Ø8x3.5	52
Centering bushing Ø9x4	52
Centering bushing Ø12x4.8	52
Centering bushing Ø19x5.8	52
Centering pin Ø4x6.....	52
Clamping nut M6x1	74
Clamping nut M8x0.75	74
Compressed air accessories	76
Connecting set.....	29, 30
Connection plate 9, 10, 11, 12, 13, 14, 15, 16, 17, 18, 19, 20	
Cross support d25.....	41

Cross support d45.....	47
------------------------	----

D	
Double column support d25.....	37
Double column support d45.....	42
Double module support centric MTZ 25x2	40
Double module support centric MTZ 25x2b	40
Double module support centric MTZ 45x2	45
Double module support centric MTZ 45x2b	45
Double module support centric MTZ 45x2c	46
Double module support centric MTZ 45x2d	46
Double module support MT 25x2	39
Double module support MT 45x2a L=62	44
Double module support MT 45x2b L=100	44
Double module support MT 45x2c L=100.....	45

E	
E1450 EtherCat EC STO	146
E1450 Profinet PN STO.....	146
Elastomer shock absorber.....	56
Elevating adjustment d25.....	41
Elevating adjustment d45.....	48
EtherCAT Interface	148

F	
Flange plate	27, 28

H	
Hollow pillar d45/35x100-999.....	48
Hollow pillar d45/35x1000	48

I	
INI 6.3x4.7x26.3-Em-PNP-NO-M8x1	71
INI 8x4.7x16-Sn2.0-PNP-NC-M8x1.....	71
INI 8x8x38.5-Sn1.5-PNP-NO-M8x1	72
INI 10.5x5.8x30-Em-PNP-NO-M8x1	73
INI c10x9-Em-PNP-NO-M8x1	72
INI c10x19.5-Em-PNP-NO-M8x1	73
INI c10x28.5-Em-PNP-NO-M8x1	73
INI d3x12-Sn0.8-PNP-NO.....	70
INI d3x22-Sn0.8-PNP-NO-M8x1	70
INI d4/6.5x45-Sn1.0-PNP-NO-M8x1	70
INI d4x25-Sn1.0-PNP-NC-M8x1	70
INI d4x25-Sn1.0-PNP-NO-M8x1	70
INI d5x36-Sn2.0-PNP-NC-M8x1	71
INI d6.5x35-Sn1.5-PNP-NO-M8x1	71

Key word index

INI d6.5x44-Sn1.5-PNP-NO-M8x1	71
INI d8x36-Sn2.0-PNP-NC-M8x1	72
INI M4x12-Sn0.8-PNP-NO.....	71
I/O Interface.....	148

K

Key 4x4x10 DIN6885A blank.....	52
Key 5x5x10 DIN6885A blank/BN870	52
Key 8x7x25 DIN6885A blank.....	52

M

Module centering.....	52
Module support MH 25x1	38
Module support MH 45x1	43
Motor plug for controller C1x00.....	148
Motor plug for controller E1400.....	148

N

Nut.....	52
Nut M10x1 for ZA 32.....	52

P

Pillar d25x100-999.....	41
Pillar d25x350.....	41
Pillar d45x100-1000.....	48
Pillar d45x350.....	48
Pillar d45x550.....	48
Pillar d45x1000.....	48
Plug kit for controller C1X00-1S.....	148
Plug kit for controller E1400-1S.....	148
Power supply T01-72/1500 multi,3-phase.....	151
Profibus Interface.....	148
Program for supports/columns 25 mm.....	37, 38, 39, 40, 41
Program for supports/columns 45 mm.....	42, 43, 44, 45, 46, 47, 48
Proximity switch	70, 71, 72, 73
Proximity switch bracket IH9.5/8x8.....	74
Proximity switch bracket IH10/6.5.....	74

R

Replacement seal for SD CR16/CR20.....	60
--	----

S

SD M6x0.5-2.....	58
SD M6x0.5-3.....	58

SD M8x1-2	58
SD M8x1-3	58
SD M8x1-4	59
SD M8x1-5	59
SD M10x1-4.....	59
SD M10x1-5.....	59
SD M12x1-1.....	59
SD M14x1-1.....	59
SD M14x1-2.....	60
SD M20x1.5-1.....	60
SD M25x1.5-1.....	60
SE-24 CANopen.....	134
SE-24 EtherCAT.....	134
SE-24 I/O	134
SE-24 Profibus.....	134
SE-24 Stick.....	147
SE-48 I/O stand alone.....	136
SE-48 Profibus stand alone.....	136
Seal for SD M6x 0.5-2	60
SE-Power 3kVA	138
SE-Power 6kVA	138
SE-Power FS Safety Module.....	148
SE-Power FS STO 1kVA.....	138
SE-Power Profinet Interface	148
Servo controller.....	134, 136, 138, 140, 142, 144, 146
Servo controller E1130 Profibus DP-XC.....	144
Servo controller E1250 Ethercat SoE SE-UC.....	144
Servo controller E1250 Ethernet IP-UC.....	144
Servo controller E1250 Powerlink PL-UC.....	144
Servoregler.....	144
Servoregler E1130 Profibus DP-XC.....	144
Servoregler E1250 Ethercat SoE SE-UC	144
Servoregler E1250 Ethernet IP-UC	144
Servoregler E1250 Powerlink PL-UC.....	144
Servoregler E1250 Sercos III SC-UC.....	146
Shock absorbers.....	58, 59, 60
Single column support d25	37
Single column support d45	42
Single module support centric MTZ 25x1	39
Single module support MT 25x1	38
Single module support MT 45x1	43
Special screw	31, 32
Special screw M2.5 x 10/5.....	31
Special screw M2.5 x 22/5-10.....	31
Special screw M3 x 10/4.....	31
Special screw M3 x 16/6.....	31
Special screw M4 x 16/5.....	31
Special screw M4 x 18/9.....	31
Special screw M4 x 20/8.....	31
Special screw M4 x 20/10.....	31
Special screw M4 x 25/8.....	31

Key word index

Special screw M4 x 30/8.5.....	32	VP 110.....	11
Special screw M6 x 20/11.....	32	VP 111.....	11
Special screw M6 x 25/9.....	32	VP 112.....	11
Special screw M6 x 36/8.....	32	VP 113.....	11
Special screw M6 x 56/11.....	32	VP 114.....	11
Special screw M8 x 30/15.....	32	VP 115.....	11
Special screw M8 x 35/15.....	32	VP 117.....	12
Steel stop.....	66	VP 118.....	12
Stop screw/shock absorber.....	57	VP 119.....	12
Stop sleeve.....	64	VP 120.....	12
Support plate L=180 d25.....	41	VP 122.....	13
Support plate L=180 d45.....	47	VP 125.....	13
Support plate L=280 d25.....	41	VP 126.....	13
Support plate L=280 d45.....	47	VP 127.....	13
Switching power supply S01-72/500, 1-phase.....	149	VP 128.....	14
Switching power supply S01-72/1000, 3-phase.....	150	VP 129.....	14
		VP 130.....	14
		VP 131.....	14
		VP 132.....	15
		VP 133.....	15
		VP 134.....	15
		VP 135.....	15
		VP 136.....	16
		VP 137.....	16
		VP 138.....	16
		VP 139.....	16
		VP 140.....	17
		VP 142.....	17
		VP 143.....	17
		VP 144.....	18
		VP 145.....	18
		VP 146.....	18
		VP 147.....	18
		VP 148.....	19
		VP 149.....	19
		VP 150.....	19
		VP 151.....	19
		VP 152.....	20
		VP 153.....	20
		VP 154.....	20
		VS 500.....	29
		VS 501.....	29
		VS 502.....	29
		VS 503.....	29
		VS 504.....	29
		VS 505.....	29
		VS 506.....	29
		VS 507.....	29
		VS 508.....	29
		VS 509.....	29
		VS 510.....	30
		VS 511.....	30
		VS 512.....	30

T

Threaded connection angled M3 x 0.5.....	76
Threaded connection straight M3 x 0.5.....	76
T-nut.....	33
T-nut 5 ST M5.....	33
T-nut 6 ST M6.....	33
T-nut 12 ST M10.....	33
T-nut M8 (half-round).....	33
Transformer T01-72/1500 multi,3-phase.....	151

U

USB-RS232 Converter for controllers.....	148
--	-----

V

VF 400.....	27
VF 401.....	27
VF 403.....	27
VF 404.....	27
VF 405.....	28
VF 406.....	28
VF 407.....	28
VF 409.....	28
VF 410.....	28
VP 100.....	9
VP 101.....	9
VP 102.....	9
VP 103.....	9
VP 104.....	10
VP 105.....	10
VP 106.....	10
VP 107.....	10
VP 108.....	10
VP 109.....	10

Key word index

VS 513.....	30
VS 514.....	30
VS 515.....	30
VW 300.....	21
VW 301.....	21
VW 302.....	21
VW 303.....	21
VW 304.....	22
VW 305.....	22
VW 308.....	22
VW 310.....	22
VW 311.....	23
VW 312.....	23
VW 313.....	23
VW 314.....	23
VW 315.....	24
VW 316.....	24
VW 317.....	24
VW 318.....	24
VW 319.....	25
VW 320.....	25
VW 321.....	25

Z

ZA_PS 16 centering bushing.....	52
ZA_PS 25 centering bushing.....	52
ZA_PS 32 centering bushing.....	52



**Handling and
Feeding Technology
Afac Automation AG**

Fiechtenstrasse 32
CH-4950 Huttwil

T +41 62 959 86 86
F +41 62 959 87 87

sales@afag.com

**Feeding Technology
Afac GmbH**

Wernher-von-Braun-Straße 1
D-92224 Amberg

T +49 9621 650 27-0
F +49 9621 650 27-490

sales@afag.com

**Handling Systems
Afac Engineering GmbH**

Gewerbestraße 11
D-78739 Hardt

T +49 7422 560 03-0
F +49 7422 560 03-29

sales@afag.com

**Afac Automation North America
Schaeff Machinery & Services LLC.**

820 Fessler's Parkway, Suite 210
Nashville, TN 37210 / USA

T +1 615 730 7515

nashville@afag.com

V02/2021 Order No.: 50465643

