



Accessories Catalog | 2017

AUTOMATION

CUSTOMER SERVICE

The right items for the entire range. In the AP&T catalog, you will find components for manufacturing/reconstruction, wear & tear parts and tools that enable easier maintenance of your automation equipment. The catalog contains everything from construction kits for building new gripping devices to the filters, belts and other items used in your operations.

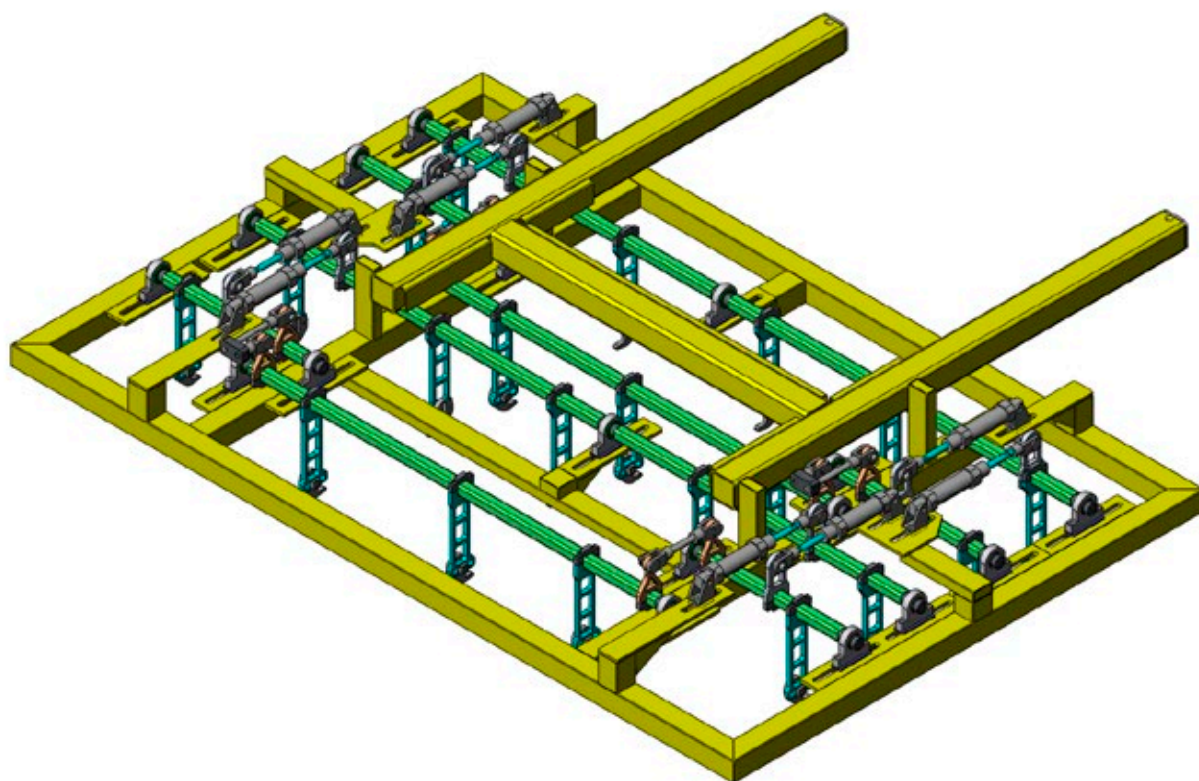
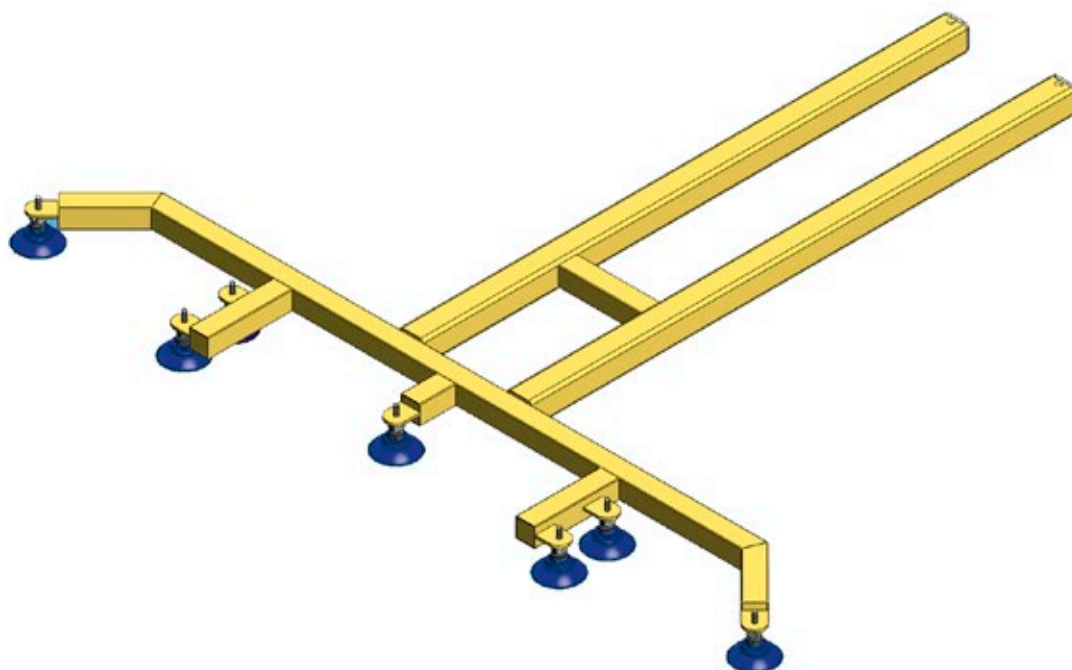
Feel free to contact us at +46 (0) 10 471 3500 if you can't find what you are looking for or if you have any other questions.



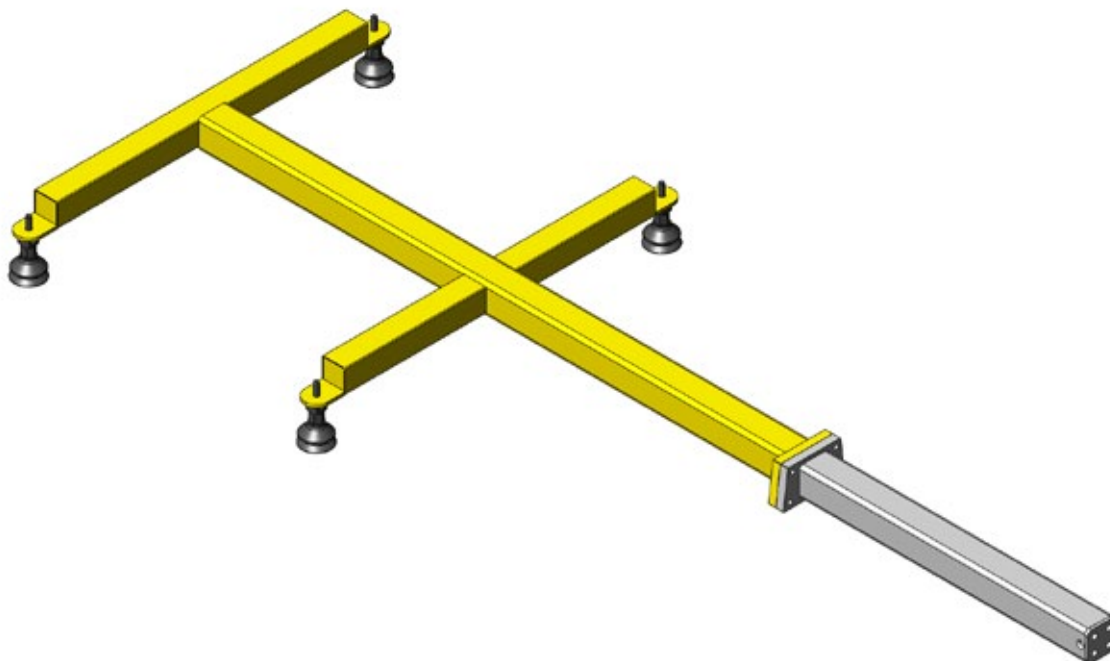
Content/Innehåll

1	Frame gripper/Stomme gripdon	p. 4
2	Accessories gripper/Tillbehör gripdon	p. 6
3	Hot forming/Varmformning	p. 8
4	Vacuum components/Vakuumkanter	p. 9
5	Vacuum tube/Vakuumslang	p. 14
6	Suction cup/Sugkopp	p. 15
7	Construction kit for gripper/Konstruktionskit för gripdon	p. 22
8	Driving/Drivning	p. 23
9	Lubrication system/Smörjsystem	p. 26
10	Vacuum unit ejector/Vakuumenhet ejektor	p. 27
11	Spare parts for vacuum unit/Reservdelar för vakuumenhet	p. 28
12	Other components/Övriga komponenter	p. 29
13	Special tools/Specialverktyg	p. 33
14	Industrial computer AP&T HMI, XP/Industridator AP&T HMI, XP	p. 34
15	Double sheet control/Dubbelpåtkontroll	p. 35

1. FRAME GRIPPER/STOMME GRIPDON



1. FRAME GRIPPER/STOMME GRIPDON



Body framework screw coated with zinc
Grundstomme skruv förzinkad

Art. No. 21600026



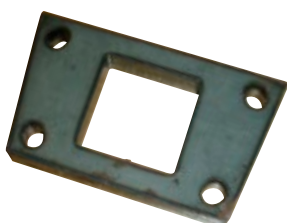
Gripper framework 1200×50×3 mm, (clerance)
Gripdonsstomme 1200×50×3 mm, (frigångshål)

Art. No. 21600028



Gripper framework 1500×50×1.5 mm, (clerance)
Gripdonsstomme 1500×50×1,5 mm, (frigångshål)

Art. No. 21600029



Mounting plate, frame gripper 40 (clerance)
Fästplatta gripdonsstomme 40 (frigångshål)

Art. No. 21602720

2. ACCESSORIES GRIPPER/TILLBEHÖR GRIPDON



Wedge plate broad
Kilplatta bred

Art. No. 21606456



Wedge plate broad, 2 vacuum
Kilplatta bred, 2 vakuum

Art. No. 21000242



Air connection for wedge plate, 2 vacuum
Luftanslutning till kilplatta, 2 vakuum

Art. No. 21601119



Wedge plate gripper, narrow
Kilplatta gripdon, smal

Art. No. 21606309



Air connection for wedge plate
Luftanslutning till kilplatta

Art. No. 21606687



Connection plate gripper attachment model 92
Tätningsgavel gripdonsfäste modell 92

Art. No. 21607599



Suction cup end block gripper attachment CD50+CD05
Sugkoppsgavel gripdonsfäste CD50+CD05

Art. No. 21060008

2. ACCESSORIES GRIPPER/TILLBEHÖR GRIPDON



Suction cup end block gripper attachment CD50+CD05
Sugkoppsgavel gripdonsfäste CD50+CD05

Art. No. 21000579



Attachment 100 vacuum adapter
Fästöra 100 vinkeladapter

Art. No. 21600033



Attachment 50 vacuum adapter
Fästöra 50 vinkeladapter

Art. No. 21607374



Gripper locking
Låskläpp gripdonslåsning

Art. No. 21000027



Axis gripper locking
Axel gripdonslåsning

Art. No. 21000029



Gripper handle
Handtag gripdonslåsning

Art. No. 21000038

3. HOT FORMING/VARMFORMNING



Gripper unit kit, hot forming
Gripkloenhet, varmformning

Art. No. 11601478



Claw unit, hot forming
Gripkloenhet, varmformning

Art. No. 21603678



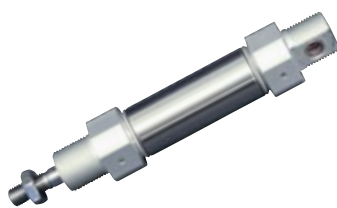
Claw, hot forming
Klo, varmformning

Art. No. 21602757



Fixing unit kit for hot forming
Fixeringsenhet för plåt, varmformning

Art. No. 11650926



Cylinder CB85N25, hot forming
Cylinder CB85N25, varmformning

Art. No. 82110298



Tube 6.0/4.0 Heat 0-/ +260°C (bobbin 100m)
Slang 6.0/4.0 Värme 0-/ +260°C (rulle 100m)

Art. No. 82800250



Tube 8.0/6.0 Heat 0-/ +260°C (bobbin 100m)
Slang 8.0/6.0 Värme 0-/ +260°C (rulle 100m)

Art. No. 82800251

4. VACUUM COMPONENTS/VAKUUMKOMPONENTER



Resilient attachment FSTE 1/4" -50
Fästenhet fjädrande FSTE 1/4" -50

Art. No. 82900006



Resilient attachment FSTE 1/4" -25
Fästenhet fjädrande FSTE 1/4" -25

Art. No. 82900008



Resilient attachment FSTE 1/8" -50
Fästenhet fjädrande FSTE 1/8" -50

Art. No. 82900007



Resilient attachment FSTE 1/8" -25
Fästenhet fjädrande FSTE 1/8" -25

Art. No. 82900005

4. VACUUM COMPONENTS/VAKUUMKOMPONENTER



Suction cup adapter 1/4" outer thread
Vinkeladapter 1/4" utvändig gänga

Art. No. 22600004



Suction cup adapter A 1/8" outer thread
Vinkeladapter A 1/8" utvändig gänga

Art. No. 22600311



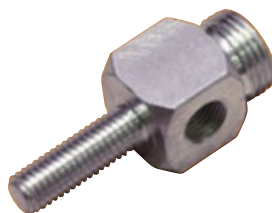
Suction cup adapter M10x1.25
Vinkeladapter M10x1,25

Art. No. 22600006



Suction cup adapter FGA 40/50
Vinkeladapter FGA 40/50

Art. No. 22600007



Suction cup adapter 3/8" outer thread
Vinkeladapter 3/8" utvändig gänga

Art. No. 22600024



Suction cup adapter B 1/8" inner thread
Vinkeladapter B 1/8" invändig gänga

Art. No. 22600396

4. VACUUM COMPONENTS/VAKUUMKOMPONENTER



Coupling extension 2070 1/4-1/4" 51
Kopplingsförlängning 2070 1/4-1/4" 51

Art. No. 82860001



Coupling extension 2070 1/4-1/4" 35
Kopplingsförlängning 2070 1/4-1/4" 35

Art. No. 82860002



Coupling extension 2070 1/8-1/8" 42
Kopplingsförlängning 2070 1/8-1/8" 42

Art. No. 82860394



Coupling extension 2070 1/8-1/8" 22
Kopplingsförlängning 2070 1/8-1/8" 22

Art. No. 82860397



Reduction coupling 2030 1/8-1/4"
Kopplingsreducering 2030 1/8-1/4"

Art. No. 82860092



Reduction coupling 2030 M5-1/8"
Kopplingsreducering 2030 M5-1/8"

Art. No. 82860109

4. VACUUM COMPONENTS/VAKUUMKOMPONENTER



Reduction coupling 2050 1/8-1/8"
Kopplingsreducering 2050 1/8-1/8"

Art. No. 82860353



Reduction coupling 2050 1/4-1/4"
Kopplingsreducering 2050 1/4-1/4"

Art. No. 82860003



Reduction coupling 2050 1/8" M5
Kopplingsreducering 2050 1/8" M5

Art. No. 82860004



Reduction coupling 2090 1/4-1/8"
Kopplingsreducering 2090 1/4-1/8"

Art. No. 82860097



Reduction coupling 2090 3/8-1/8"
Kopplingsreducering 2090 3/8-1/8"

Art. No. 82860099



Reduction coupling 2090 3/8-1/4"
Kopplingsreducering 2090 3/8-1/4"

Art. No. 82860084



Reduction coupling 2090 1/2-1/4"
Kopplingsreducering 2090 1/2-1/4"

Art. No. 82860145

4. VACUUM COMPONENTS/VAKUUMKOMPONENTER



CEJN coupling 2200 C3-2A
CEJN koppling 2200 C3-2A

Art. No. 82830092



CEJN coupling 2203-2A
CEJN koppling 2203-2A

Art. No. 82830094



T-Coupling external 1220-8/6-1/8"
T-koppling utvändig 1220-8/6-1/8"

Art. No. 82840001



L-Coupling external 1100-8/6-1/8"
L-koppling utvändig 1100-8/6-1/8"

Art. No. 82840258



Coupling straight 1020-8/6-1/8"
Koppling rak 1020-8/6-1/8"

Art. No. 82840250



Coupling straight 1021. 4/2.7-M5
Koppling rak 1021. 4/2.7-M5

Art. No. 82840042

5. VACUUM TUBE/VAKUUMSLANG



Tube C.STAR Ø4/2.5 vacuum (bobbin 100m)
Slang C.STAR Ø4/2,5 vakuu (rulle 100m)

Art. No. 82800011-4



Tube C.STAR Ø6/4 vacuum (bobbin 100m)
Slang C.STAR Ø6/4 vakuu (rulle 100m)

Art. No. 82800011-6



Tube C.STAR Ø8/6 vacuum (bobbin 100m)
Slang C.STAR Ø8/6 vakuu (rulle 100m)

Art. No. 82800011-8



Polyurethane tube soft TUS0805BU-100 gripper
Polyuretanslang mjuk TUS0805BU-100 gripdon

Art. No. 82800240



Tube C.STAR Ø4/2.5 pressure (bobbin 100m)
Slang C.STAR Ø4/2,5 tryck (rulle 100m)

Art. No. 82800010-4



Tube C.STAR Ø6/4 pressure (bobbin 100m)
Slang C.STAR Ø6/4 tryck (rulle 100m)

Art. No. 82800010-6



Tube C.STAR Ø8/6 pressure (bobbin 100m)
Slang C.STAR Ø8/6 tryck (rulle 100m)

Art. No. 82800010-8

6. SUCTION CUP/SUGKOPP



Suction cup flat SAF 30 NBR 1/4" inner thread
Sugkopp plan SAF 30 NBR 1/4" invändig gänga

Art. No. 82880056



Suction cup flat SAF 40 NBR 1/4" inner thread
Sugkopp plan SAF 40 NBR 1/4" invändig gänga

Art. No. 82880057



Suction cup flat SAF 50 NBR 3/8" inner thread
Sugkopp plan SAF 50 NBR 3/8" invändig gänga

Art. No. 82880058



Suction cup flat SAF 60 NBR 3/8" inner thread
Sugkopp plan SAF 60 NBR 3/8" invändig gänga

Art. No. 82880059



Suction cup flat SAF 80 NBR 3/8" inner thread
Sugkopp plan SAF 80 NBR 3/8" invändig gänga

Art. No. 82880060



Suction cup flat SAF 100 NBR 3/8" inner thread
Sugkopp plan SAF 100 NBR 3/8" invändig gänga

Art. No. 82880061

6. SUCTION CUP/SUGKOPP



Suction cup bellows FSGA 16 NBR inner thread 1/8"
Sugkopp bälg FSGA 16 NBR invändig gänga 1/8"

Art. No. 82880009



Suction cup bellows FSGA 22 NBR inner thread 1/8"
Sugkopp bälg FSGA 22 NBR invändig gänga 1/8"

Art. No. 82880008



Suction cup bellows FSGA 30 VU1 inner thread 1/4"
Sugkopp bälg FSGA 30 VU1 invändig gänga 1/4"

Art. No. 82880005



Suction cup bellows FSGA 40 VU1 inner thread 1/4"
Sugkopp bälg FSGA 40 VU1 invändig gänga 1/4"

Art. No. 82880002



Suction cup bellows FSGA 50 VU1 inner thread 1/4"
Sugkopp bälg FSGA 50 VU1 invändig gänga 1/4"

Art. No. 82880006



Suction cup bellows FSGA 60 VU1 inner thread 1/4"
Sugkopp bälg FSGA 60 VU1 invändig gänga 1/4"

Art. No. 82880003

6. SUCTION CUP/SUGKOPP



Suction cup bellows SAB 22 NBR 1/4" inner thread
Sugkopp bälg SAB 22 NBR 1/4" invändig gänga

Art. No. 82880103



Suction cup bellows SAB 30 NBR 1/4" inner thread
Sugkopp bälg SAB 30 NBR 1/4" invändig gänga

Art. No. 82880083



Suction cup bellows SAB 40 NBR 1/4" inner thread
Sugkopp bälg SAB 40 NBR 1/4" invändig gänga

Art. No. 82880050



Suction cup bellows SAB 50 NBR 3/8" inner thread
Sugkopp bälg SAB 50 NBR 3/8" invändig gänga

Art. No. 82880051



Suction cup bellows SAB 60 NBR 3/8" inner thread
Sugkopp bälg SAB 60 NBR 3/8" invändig gänga

Art. No. 82880052



Suction cup bellows SAB 80 NBR 3/8" inner thread
Sugkopp bälg SAB 80 NBR 3/8" invändig gänga

Art. No. 82880053



Suction cup bellows SAB 100 NBR 3/8" inner thread
Sugkopp bälg SAB 100 NBR 3/8" invändig gänga

Art. No. 82880054

6. SUCTION CUP/SUGKOPP



Suction cup PFYN 30 VU 1 inner thread 1/8"
Sugkopp PFYN 30 VU 1 invändig gänga 1/8"

Art. No. 82880028



Suction cup PFYN 50 VU 1 inner thread 1/4"
Sugkopp PFYN 50 VU 1 invändig gänga 1/4"

Art. No. 82880029



Suction cup PFYN 60 VU 1 inner thread 1/4"
Sugkopp PFYN 60 VU 1 invändig gänga 1/4"

Art. No. 82880076



Suction cup PFYN 80 VU 1 inner thread 1/4"
Sugkopp PFYN 80 VU 1 invändig gänga 1/4"

Art. No. 82880044



Suction cup KSB 20-1/8" NBR
Sugkopp KSB 20-1/8" NBR

Art. No. 82880290



O-ring for suction cup KSB 20-1/8" NBR
O-ringar för sugkopp KSB 20-1/8" NBR

Art. No. 81900235

6. SUCTION CUP/SUGKOPP



Suction cup PFYN-30 NBR inner thread 1/8"
Sugkopp PFYN-30 NBR invändig gänga 1/8"

Art. No. 82880020



Suction cup PFYN-40 NBR inner thread 1/8"
Sugkopp PFYN-40 NBR invändig gänga 1/8"

Art. No. 82880021



Suction cup PFYN-50 NBR inner thread 1/8"
Sugkopp PFYN-50 NBR invändig gänga 1/8"

Art. No. 82880022



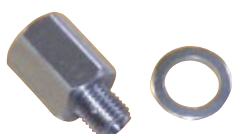
Suction cup PFG-60 NBR inner thread M10x1.25
Sugkopp PFG-60 NBR invändig gänga M10x1,25

Art. No. 82880023



Suction cup PFG-80 NBR inner thread M10x1.25
Sugkopp PFG-80 NBR invändig gänga M10x1,25

Art. No. 82880024



Suction cup adapter NPP M10x1.25"
Koppling adapter NIPP M10x1,25"

Art. No. 82860016

6. SUCTION CUP/SUGKOPP



Suction cup SAOF 23×60 inner thread 3/8" NBR60
Sugkopp SAOF 23×60 invändig gänga 3/8" NBR60

Art. No. 82880097



Suction cup SAOF 40×80 inner thread 3/8"
Sugkopp SAOF 40×80 invändig gänga 3/8"

Art. No. 82880100



Suction cup SAOF 16×50 inner thread 3/8"
Sugkopp SAOF 16×50 invändig gänga 3/8"

Art. No. 82880098



Suction cup bellows SAOB 40×80 inner thread NBR 1/4"
Sugkopp bälg SAOB 40×80 invändig gänga NBR 1/4"

Art. No. 82880072



Suction cup bellows SAOB 30×60 inner thread 1/4"
Sugkopp bälg SAOB 30×60 invändig gänga 1/4"

Art. No. 82880102

6. SUCTION CUP/SUGKOPP



Permanent magnet SGM50
Permanentmagnet SGM50

Art. No. 81840032



Permanent magnet SGM70
Permanentmagnet SGM70

Art. No. 81840030



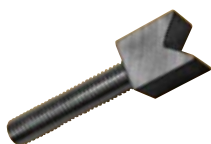
Suction cup module with integrated ejector
Sugkoppsmodul med integrerad ejektor

Art. No. 12650023



Cellrubber 80/40x15 self adhesive
Mjukt cellgummi 80/40x15 självhäftande

Art. No. 22600022



Claw unit, HRC 58
Gripkloenhet, HRC 58

Art. No. 21602869



Control unit kit for fixing plates
Kontrollenhet för fixering av plåt

Art. No. 11260082

Construction kit for gripper

Konstruktionskit för gripdon



Component box with the most essential parts for manufacturing a gripper that's suitable for AP&T's automatization. Framework for gripper, see page 4–5.

Komponentlåda med de mest nödvändiga delarna för tillverkning av gripdon som passar för AP&T:s automatisering. Stomme för gripdonskit, se sid. 4–5.

Art. No. 11640020

8. DRIVING/DRIVNING



Drive packages X-module SF40/60/120
Vändhjul kit X-modul SF40/60/120

Art. No. 11075076



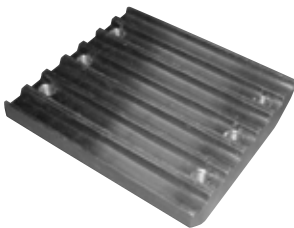
Belt wheel
Remhjul

Art. No. 21070076



Cog belt HighFlex 50 Pu steel X-module
Kuggrem HighFlex 50 Pu stål X-modul

Art. No. 81220065



Beltclip for cog belt 50 PU, X-module
Remklämma för kuggrem 50 PU, X-modul

Art. No. 21070344



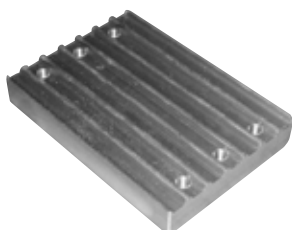
Turning wheel SF240
Vändhjul SF240

Art. No. 210705148



Cog belt High Flex 75 PU steel, SF130/SF240
Kuggrem HighFlex 75 PU stål, SF130/SF240

Art. No. 81220530



Beltclip for cog belt 75 PU, SF130/SF240
Remklämma för kuggrem 75 PU, SF130/SF240

Art. No. 21075149

8. DRIVING/DRIVNING



Rack plate, polyamide
Kuggstångsplatta, polyamid

Art. No. 85980005



Alucore, rack plate
Aluminiumstomme, kuggstång

Art. No. 21075002



Cog wheel for Y-axis
Kugghjul för Y-axel

Art. No. 21070004



Cog wheel for X and Z-axis
Kugghjul för X och Z-axel

Art. No. 21070005



Rack plate segment, steel M2.5x13
Kuggstångssegment, stål M2,5x13

Art. No. 21070528



Hardened cog wheel for Y-axis
Härdat kugghjul för Y-axel

Art. No. 21070444



Hardened cog wheel for X and Z-axis
Härdat kugghjul för X och Z-axel

Art. No. 21070445

8. DRIVING/DRIVNING



Plastic wheel 76X20X8, ACETAL
Plastrulle 76X20X8, ACETAL

Art. No. 85980003



Chain with plastic knobs
Kedja med plastknopp

Art. No. 21220801



Plastic knob for chain
Plastknopp till kedja

Art. No. 21220533



Ball bushing LBHT 50-A
Kulbussning LBHT 50-A

Art. No. 81340264



Ball bushing LBHT 40-2LS
Kulbussning LBHT 40-2LS

Art. No. 81340003



Dual Vee wheel W4X
Dual Vee hjul W4X

Art. No. 81340117



Grease Dynalub 510 400 g cartridge
Fett Dynalub 510 400 g patron

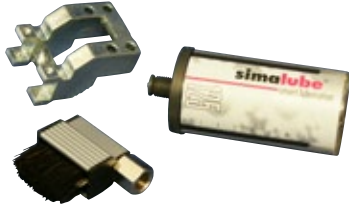
Art. No. 82370006

9. LUBRICATION SYSTEM / SMÖRJSYSTEM



Automatic lubrication system for X-axis
Automatiskt smörjsystem för X-axel

Art. No. 11075000



Automatic lubrication system for Y-axis
Automatiskt smörjsystem för Y-axel

Art. No. 11075001



Automatic lubrication system for Z-axis
Automatiskt smörjsystem för Z-axel

Art. No. 11075002



Grease SIMALUBE SLO2.125
Smörjfett SIMALUBE SLO2.125

Art. No. 82370007



Coating brush 2035-S
Anoljninsborste 2035-S

Art. No. 81120010

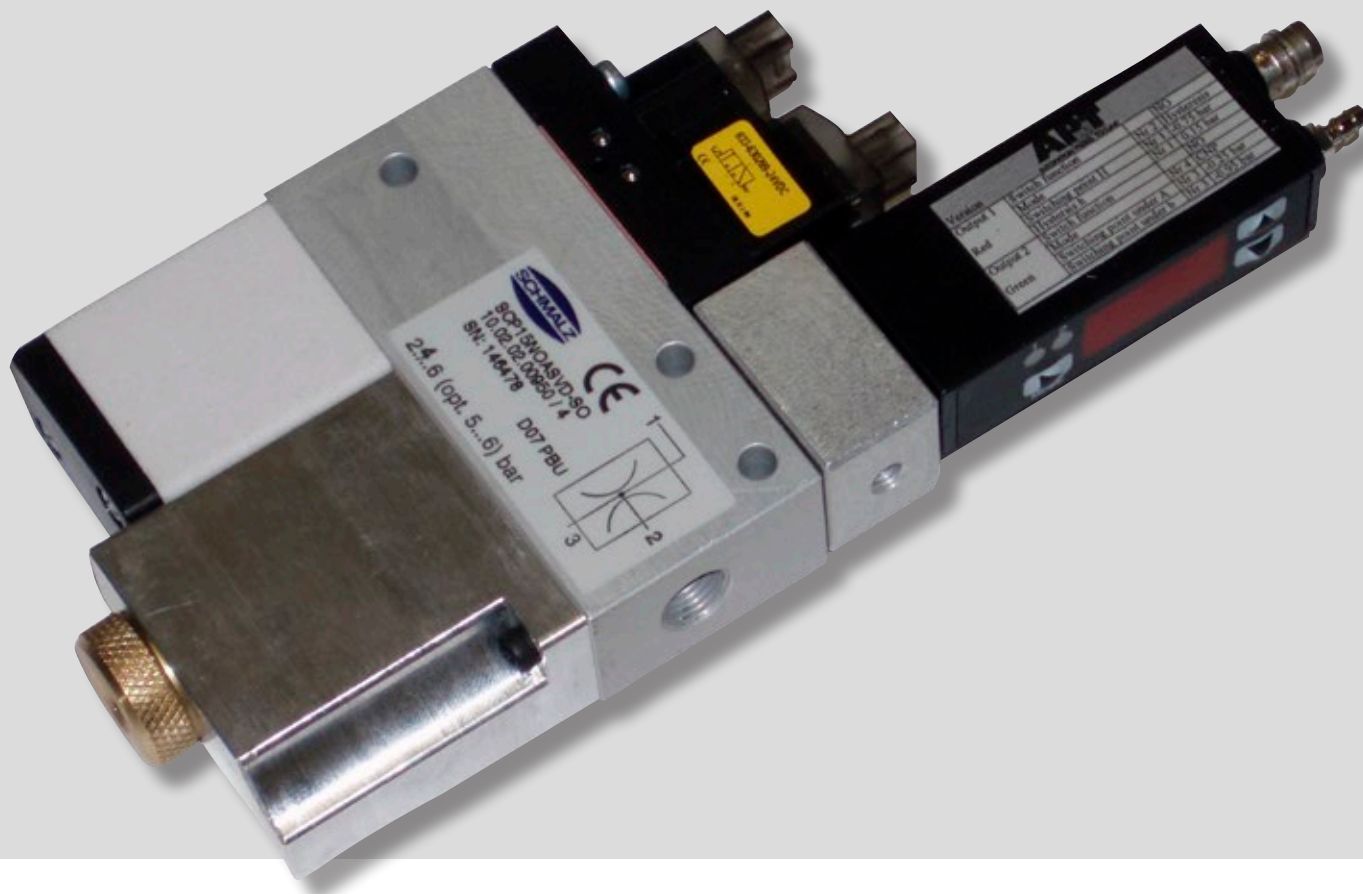


Coating brush 2035
Anoljninsborste 2035

Art. No. 81120009

Vacuum unit

Vakuumenhet



This unit contains:

- » Ejector SCP15
- » Filter
- » Sound absorber
- » 2 pieces of valves
- » Vacuum guard with two pre-set levels for AP&T machines.

Denna enhet innehåller:

- » Ejektör SCP15
- » Filter
- » Ljuddämpare
- » 2 st ventiler
- » Vakuumvakt med två förinställda nivåer för AP&T maskiner.

Art. No. 82040003

11. SPARE PARTS FOR VACUUM UNIT/RESERVDELAR FÖR VAKUUMENHET



Check valve for vacuum unit SCP15
Backventil till vakuumenhet SCP15

Art. No. 82210015



Rubber gasket for check valve
Gummipackning till backventil

Art. No. 82210016



Piston for vacuum unit SCP15 (new model)
Kolvar för vakuumenhet SCP15 (ny modell)

Art. No. 82200047



Filter unit for vacuum unit SCP15
Filterelement till vakuumenhet SCP15

Art. No. 82600237



Sound absorber for vacuum unit SCP15
Ljuddämpare till vakuumenhet SCP15

Art. No. 82850123



Filter unit EJ101H-030N
Filterelement EJ101H-030N

Art. No. 82600235



Sound absorber U-1/4"
Ljuddämpare U-1/4"

Art. No. 82850122

12. OTHER COMPONENTS/ÖVRIGA KOMPONENTER



Sound absorber 1/2 (SF Z-cylinder-100)
Ljuddämpare 1/2 (SF Z-cylinder-100)

Art. No. 82850005



Sound absorber 3/8 (SF Z-cylinder-80)
Ljuddämpare 3/8 (SF Z-cylinder-80)

Art. No. 82850004



Sound absorber 7010 1/8 (low head)
Ljuddämpare 7010 1/8 (låg skalle)

Art. No. 82850002



Sound absorber 7010 1/4 (low head)
Ljuddämpare 7010 1/4 (låg skalle)

Art. No. 82850003



Sound absorber for utb. Cylinder 1/2"
Ljuddämpare för utb.Cylinder 1/2"

Art. No. 82850118



Sound absorber for utb. Cylinder 3/8"
Ljuddämpare för utb.Cylinder 3/8"

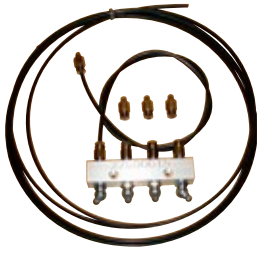
Art. No. 82850121



Sound absorber for utb. Cylinder 1/4"
Ljuddämpare för utb.Cylinder 1/4"

Art. No. 82850120

12. OTHER COMPONENTS/ÖVRIGA KOMPONENTER



Grease extension for runner blocks + 4 m tube to Z, Y or X-axis
Smörjförlängning för åkvagnar + 4 m slang till Z, Y eller X-axel

Art. No. 11651780



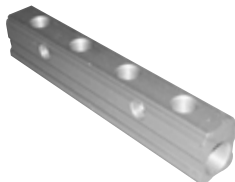
Grease nipple, 19 mm M6×1
Smörjnippel, 19 mm M6×1

Art. No. 81800102



Distribution block, 2 ext.
Fördelningsblock, 2 utg.

Art. No. 82830140-2



Distribution block, 4 ext.
Fördelningsblock, 4 utg.

Art. No. 82830140-4



Distribution block, 6 ext.
Fördelningsblock, 6 utg.

Art. No. 82830140-6

12. OTHER COMPONENTS/ÖVRIGA KOMPONENTER



Operating key
Operatörsnyckel

Art. No. 84152026



Vacuum meter VB 4000 1/8"
Vakuummeter VB 4000 1/8"

Art. No. 82290209



Chain for touch pen
Kedja för pekpen

Art. No. 84425136



Touch pen for touch screen
Pekpena för touchskärm

Art. No. 84425135



Filter mat SK 3173 1S 289x289mm
Filtmatta SK 3173 1S 289x289mm

Art. No. 84990820



Frl.Unit
Frl.Enhet

Art. No. 82280423

12. OTHER COMPONENTS/ÖVRIGA KOMPONENTER



Locking lever size 10/16/24 B Harting
Låsbygel st 10/16/24 B Harting

Art. No. 84789033



Contact pneumatic male 6 mm
Kontakt pneumatisk hane 6 mm

Art. No. 84786028



Contact pneumatic male 4 mm
Kontakt pneumatisk hane 4 mm

Art. No. 84786023



Rubber cup (red SHORE 95)
Gummipuck (röd SHORE 95)

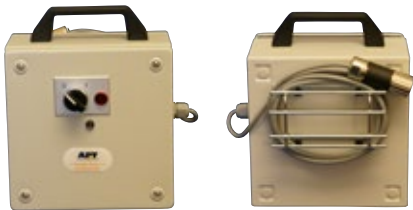
Art. No. 21260121



Rubber cup (green SHORE 80)
Gummipuck (grön SHORE 80)

Art. No. 21260177

13. SPECIAL TOOLS/SPECIALVERKTYG



Brake release for servo motor
Bromssläppare för servomotor

Art. No. 14620012



Vacuum tester machine
Vakuumprovare maskin

Art. No. 12600003



Vacuum tester gripper
Vakuumprovare gripdon

Art. No. 12600001



Vacuum tester single vacuum machine
Vakuumprovare enkel vakuummaskin

Art. No. 12600007



Initiation peg for BR rail 35/45
Initieringsplugg för BR skena 35/45

Art. No. 21075164



Initiation peg for BR rail 25/35
Initieringsplugg för BR skena 25/35

Art. No. 21075125



Removal tool for crimp contacts
Demonteringsverktyg för lödfria kontakter

Art. No. 84786049

Industrial computer AP&T HMI, XP

Industridator AP&T HMI, XP



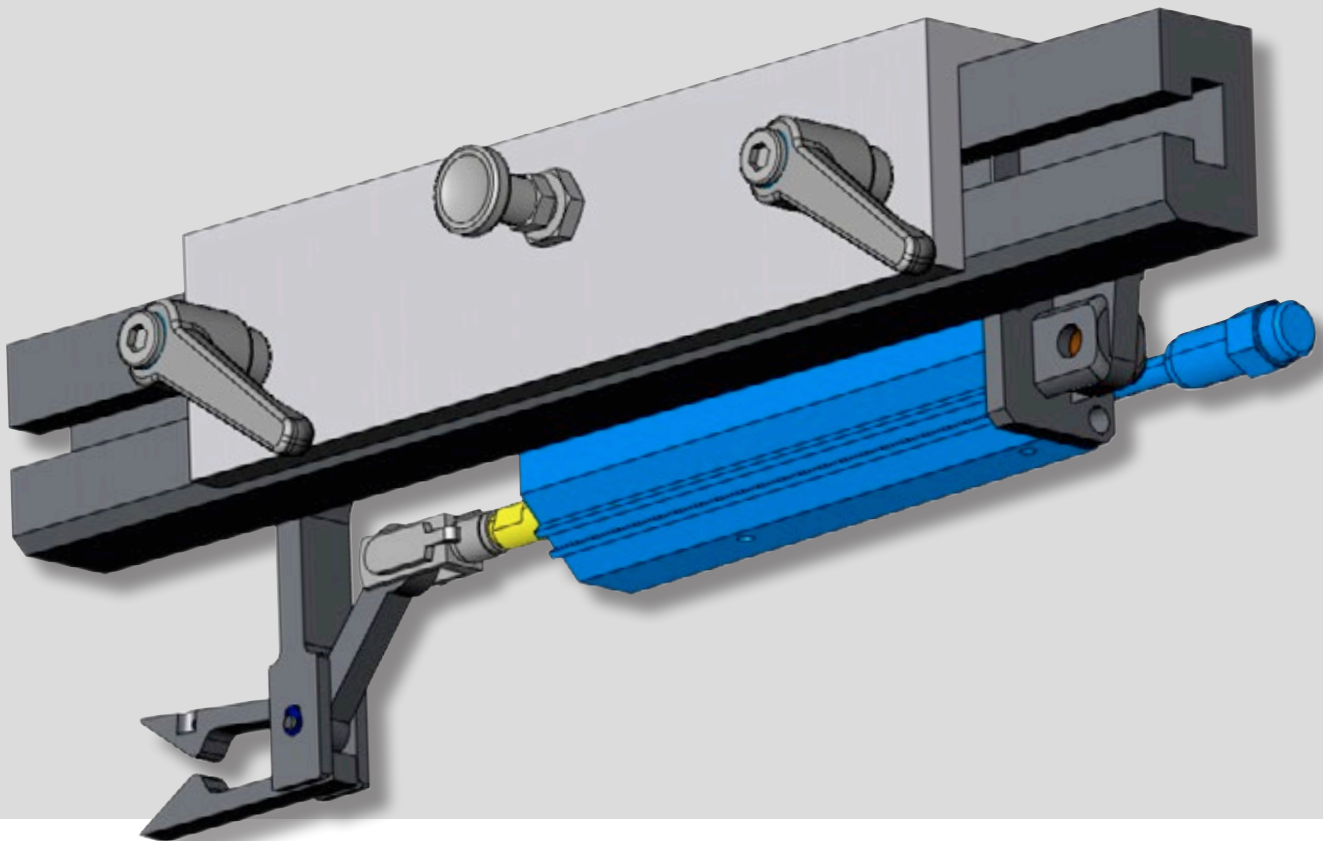
- » IP65 in front
- » 38,1 cm (15") TFT color display (XGA)
- » Touch screen ELO
- » CPU Intel Celeron 575 2,00 GHz, fanless
- » Hard disk Extended S-ATA 100 GB
- » 2 GB DDR2-RAM
- » 2×PS/2 (mouse, keyboard)
- » 2×USB 2.0 frontside under cover
- » Windows XP Prof. for Embedded Systems
- » MPI-card CP 5611, Art. No. 84425076
- » Aluminum frame, Art. No. 84944045

- » IP65 i fronten
- » 38,1 cm (15") TFT färgskärm (XGA)
- » Pekskärm ELO
- » CPU Intel Celeron 575 2,00 GHz, utan fläkt
- » Hårddisk Extended S-ATA 100 GB
- » 2 GB DDR2-RAM
- » 2×PS/2 (mus, tangentbord)
- » 2×USB 2.0 skyddad i fronten
- » Windows XP Prof. för Embedded Systems
- » MPI-kort CP 5611, art. nr. 84425076
- » Aluminumram, art. nr. 84944045

Art. No. 84990810

Mechanical double sheet control for universal montage

Mekanisk dubbelplåtskontroll för universellt montage



- » Measures the thickness with a digital pneumatic linear cylinder
- » Setting is done from the HMI operator's panel
- » Special safety software for a safe control process
- » Quick measurement
- » Handle material with a thickness between 0.4–12mm

- » Mäter tjockleken med en digital, linjär pneumatisk cylinder
- » Inställning görs från en HMI operatörspanel
- » Speciell säkerhetsmjukvara för säker kontrollfunktion
- » Snabb mätning
- » Hanterar material med en tjocklek mellan 0,4–12mm

Lifetime Performance Services

